



US00D878699S

(12) **United States Design Patent** (10) **Patent No.:** **US D878,699 S**
Sutton (45) **Date of Patent:** **** Mar. 17, 2020**

(54) **LID FOR A REFUSE RECEPTACLE** D293,843 S * 1/1988 Kroll D34/8
4,756,445 A 7/1988 Agee
4,998,695 A * 3/1991 Nobis B65B 67/12
D34/6
5,009,378 A * 4/1991 Linsmeyer B65B 67/12
D34/5
5,014,943 A * 5/1991 Nelson B65B 67/1205
D34/5
5,036,998 A 8/1991 Dunn
D378,153 S * 2/1997 Freedland D34/1
D391,727 S * 3/1998 Delmerico 220/908
(Continued)

(21) Appl. No.: **29/649,159**

FOREIGN PATENT DOCUMENTS

(22) Filed: **May 27, 2018**

EP 1 541 502 A1 6/2005
EP 1 816 090 A1 8/2007

(30) **Foreign Application Priority Data**

Primary Examiner — Cynthia Ramirez
Assistant Examiner — Michael A Maharajh
(74) *Attorney, Agent, or Firm* — Craft Chu PLLC;
Andrew W. Chu

Dec. 1, 2017 (EM) 004531358-0002

(51) **LOC (12) Cl.** **09-09**

(52) **U.S. Cl.**
USPC **D34/11**

(58) **Field of Classification Search**
USPC D23/202, 203, 207; D34/1, 2, 3, 4, 5, 6,
D34/7, 8, 9, 10, 11, 39; 220/252, 62.13,
220/484, 569, 4.04, 703, 737, 748, 908,
220/908.1, 908.2, 909, 495.08, 211, 262,
220/263, 212; D9/737, 738, 770, 772,
D9/777, 778
CPC B65F 1/16; Y10S 220/908
See application file for complete search history.

(57) **CLAIM**

The ornamental design for a lid for a refuse receptacle, as shown and described.

DESCRIPTION

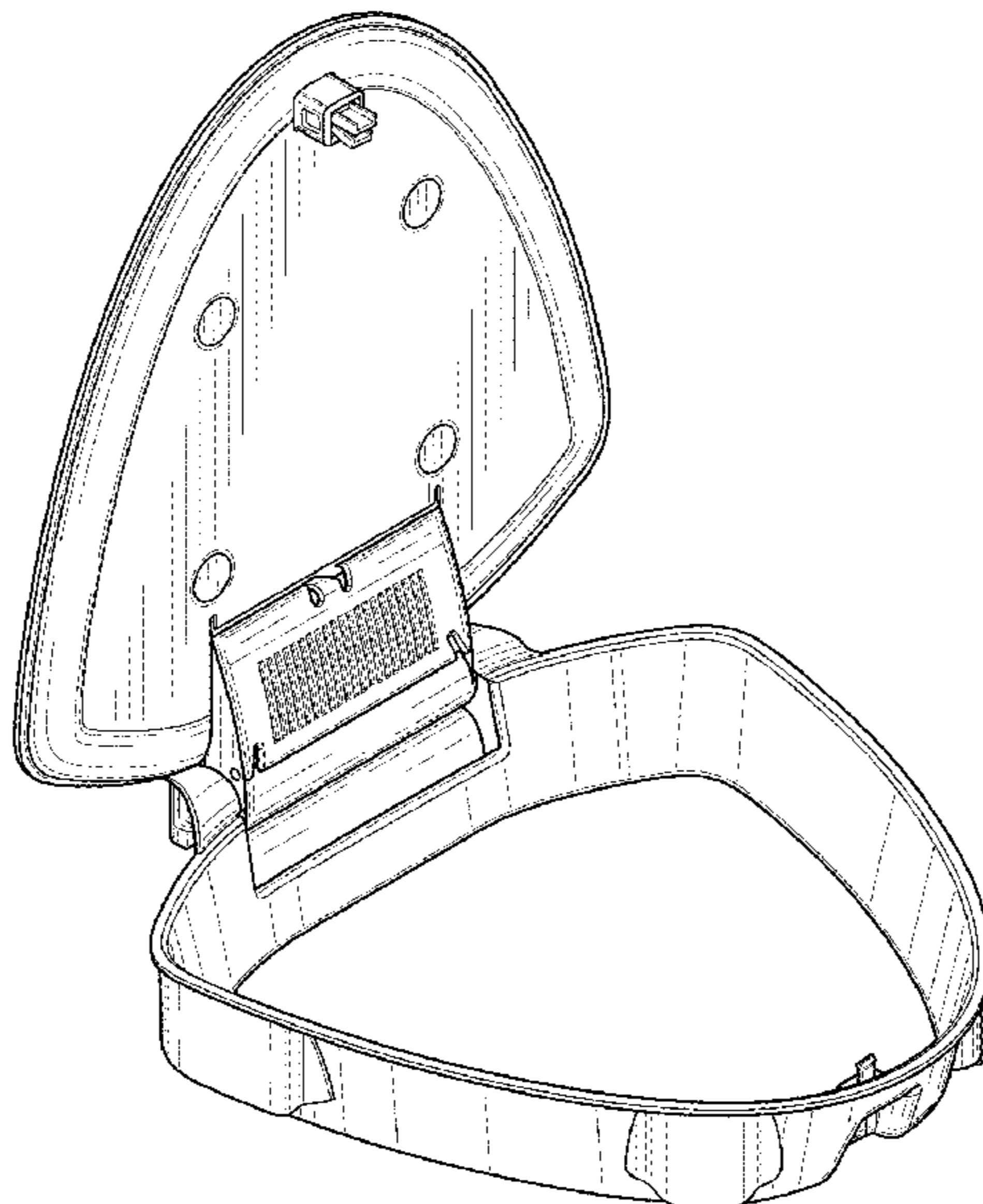
FIG. 1 is an upper perspective view of the lid for a refuse receptacle showing my design in an opened position; FIG. 2 is another upper perspective view thereof, showing the lid in a closed position; FIG. 3 is a back elevation view in the opened position; FIG. 4 is a front elevation view in the closed position; FIG. 5 is a side elevation view thereof in the closed position, an opposite side elevation view being a mirror image thereof in the closed position; FIG. 6 is a top plan view thereof in the closed position; and, FIG. 7 is a bottom plan view thereof in the closed position.

(56) **References Cited**

U.S. PATENT DOCUMENTS

D142,275 S * 8/1945 Kohen D32/37
3,744,409 A 7/1973 Bradbury
D276,932 S * 12/1984 Parker D34/11
4,649,813 A * 3/1987 Kehl B65F 1/1405
D34/11
4,702,445 A * 10/1987 Ivory B65B 67/12
D34/6

1 Claim, 3 Drawing Sheets



(56)

References Cited

U.S. PATENT DOCUMENTS

D391,728 S *	3/1998	Delmerico	220/908	D768,811 S *	10/2016	Chandler, Jr.	D23/207
D391,729 S *	3/1998	Delmerico	220/908	D782,110 S *	3/2017	Coffindaffer	D28/64.6
6,250,492 B1 *	6/2001	Verbeek	B65F 1/06	D805,706 S *	12/2017	Kopp	D34/11
			220/908	D805,708 S *	12/2017	Kopp	D34/11
D451,392 S *	12/2001	Kitamura	D9/447	D814,734 S *	4/2018	Richter	D34/11
D482,509 S *	11/2003	Lin	D34/10	D815,384 S *	4/2018	Stravitz	D34/6
D488,278 S *	4/2004	Lin	D34/11	D815,960 S *	4/2018	Way	D9/737
D509,338 S *	9/2005	Daams	D34/11	D817,781 S *	5/2018	Way	D9/737
D509,339 S *	9/2005	Lin	D34/11	D835,458 S *	12/2018	Sedgwick	D7/392.1
D519,257 S *	4/2006	de Winter	D34/11	D844,101 S *	3/2019	Zheng	D23/207
D566,369 S *	4/2008	Shek	D34/11	2005/0003146 A1	1/2005	Spath	
D566,924 S *	4/2008	Shek	D34/11	2005/0194385 A1 *	9/2005	Lu	B65F 1/1607
D609,774 S *	2/2010	Ryman	D34/11				220/263
D633,678 S *	3/2011	Kuhne	D34/6	2007/0075082 A1 *	4/2007	Michel	A01D 41/1208
7,909,195 B2 *	3/2011	Rathbone	B65D 43/161				220/908
			220/254.2	2007/0175910 A1 *	8/2007	Hogarth	B65F 1/1615
D654,646 S *	2/2012	Williams	D34/6				220/908
D707,910 S *	6/2014	Nolet	D34/11	2012/0091295 A1 *	4/2012	Morand	B65B 67/1222
D728,184 S *	4/2015	Hoggatt	D34/6				248/99
D740,692 S *	10/2015	Christie	D9/748	2013/0341328 A1 *	12/2013	Schneider	B65F 1/1607
D759,934 S	6/2016	Yang et al.					220/259.2
D766,534 S *	9/2016	Stravitz	D34/10	2014/0138267 A1 *	5/2014	Pirollet	B65F 7/00
D767,229 S *	9/2016	Stravitz	D34/6				206/216
				2014/0246431 A1 *	9/2014	Lipson	B65D 51/24
							220/705

* cited by examiner

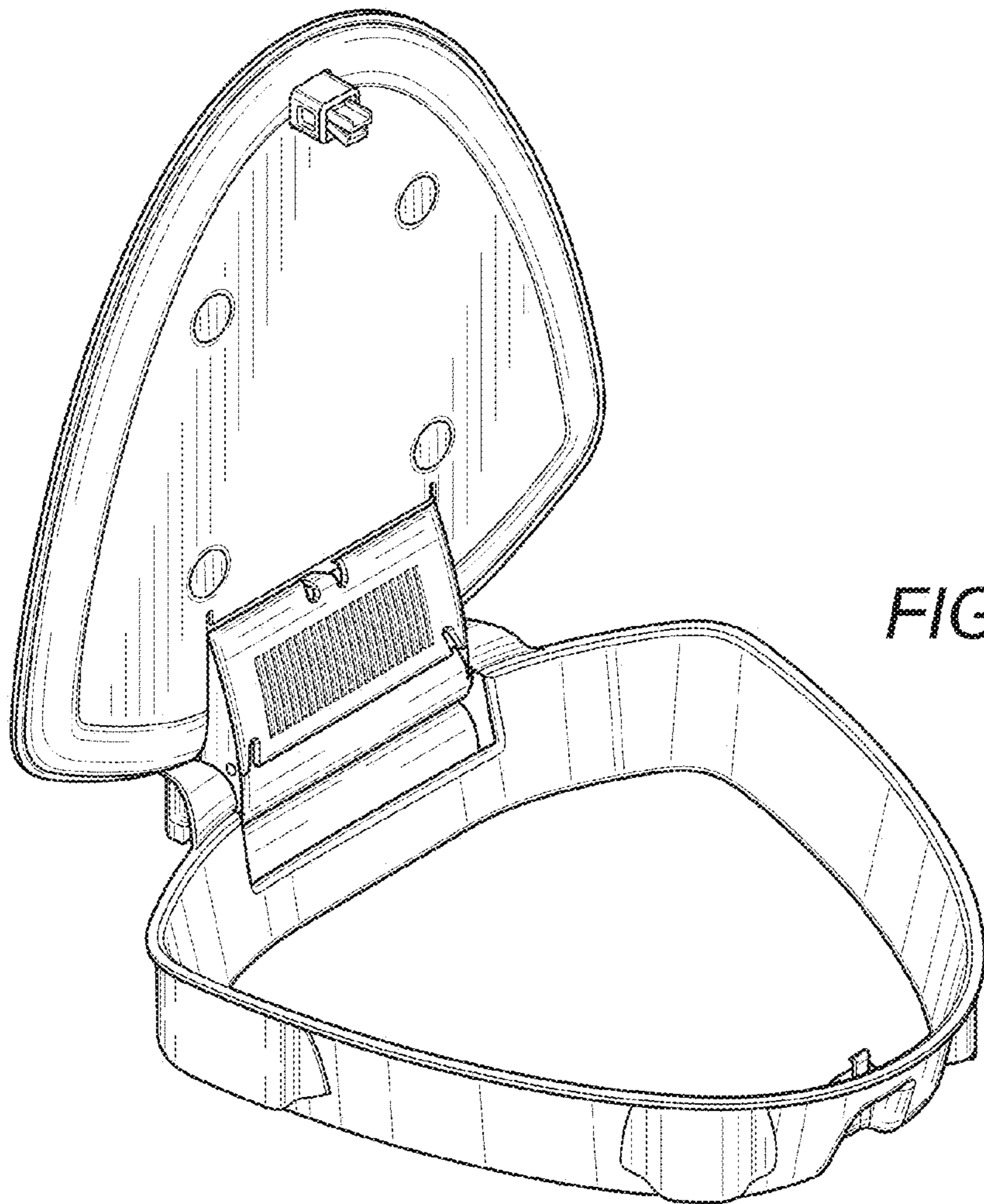


FIG. 1

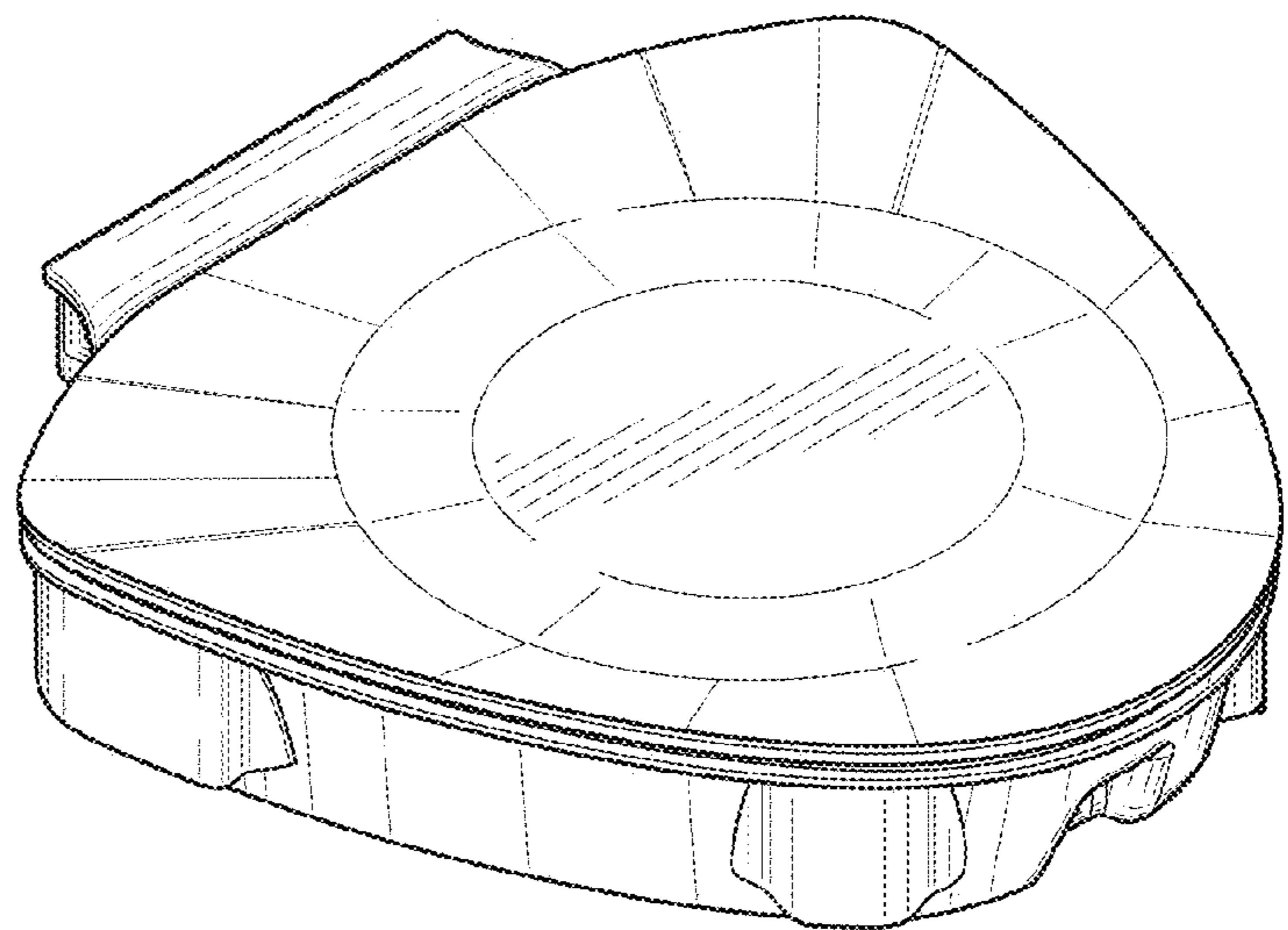


FIG. 2

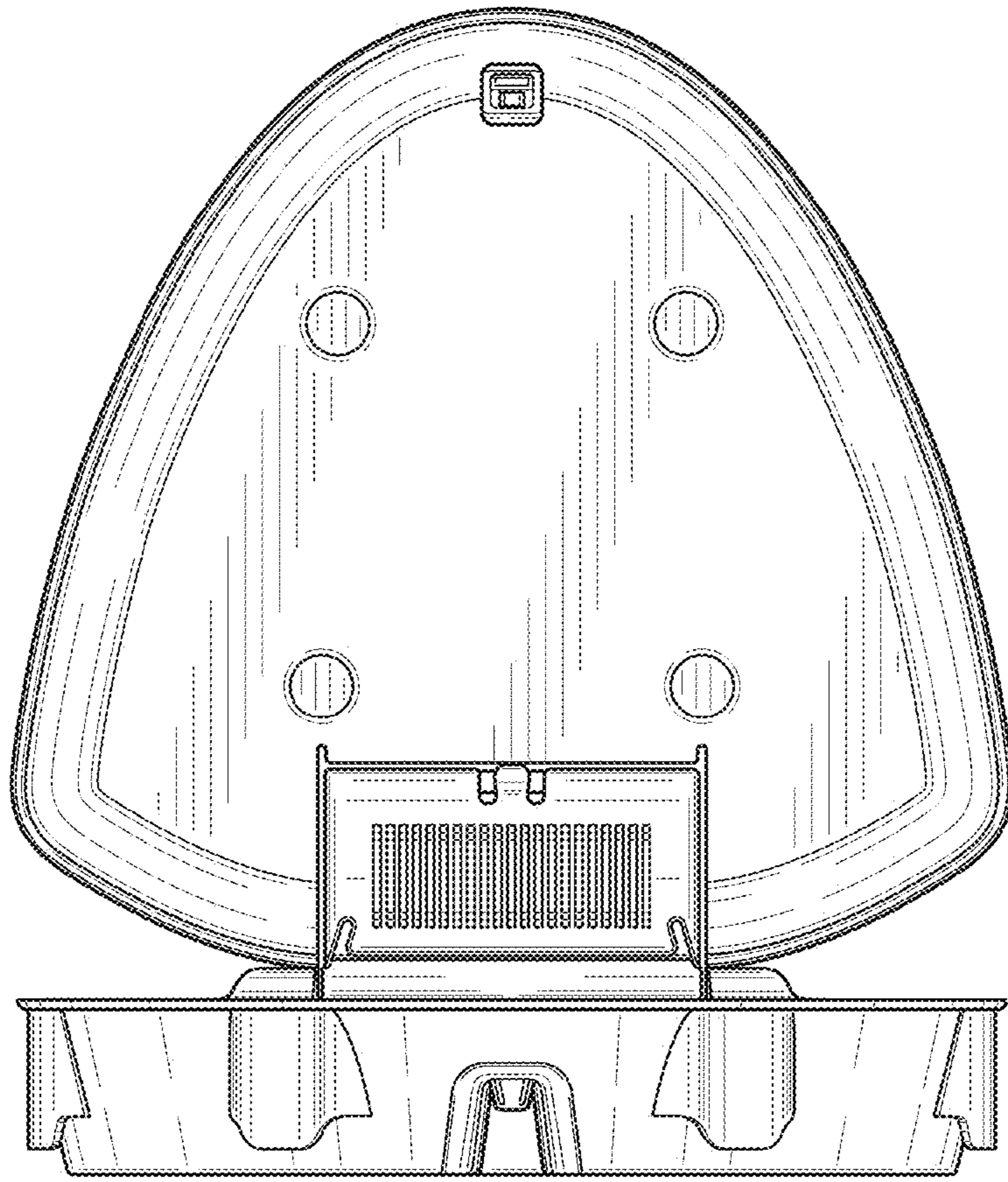


FIG. 3

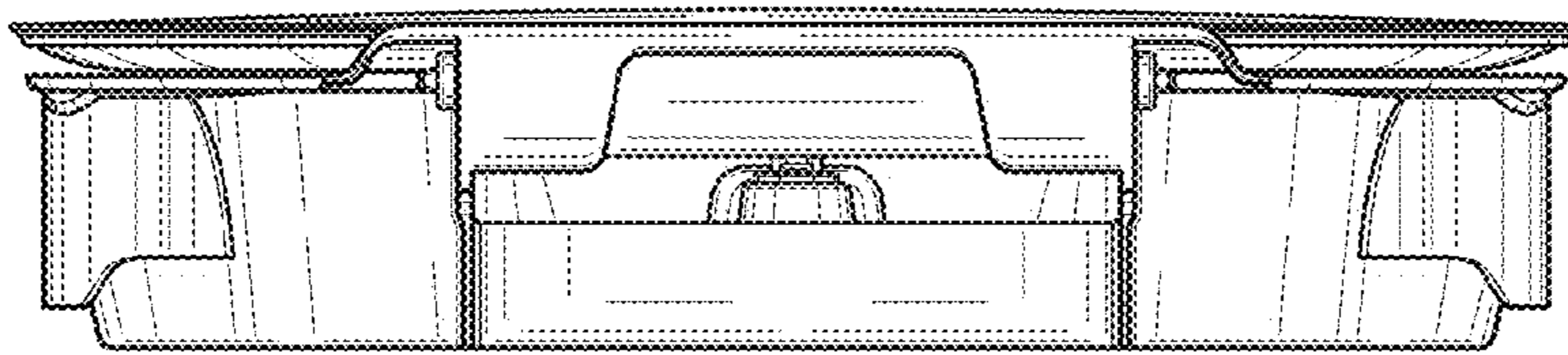


FIG. 4

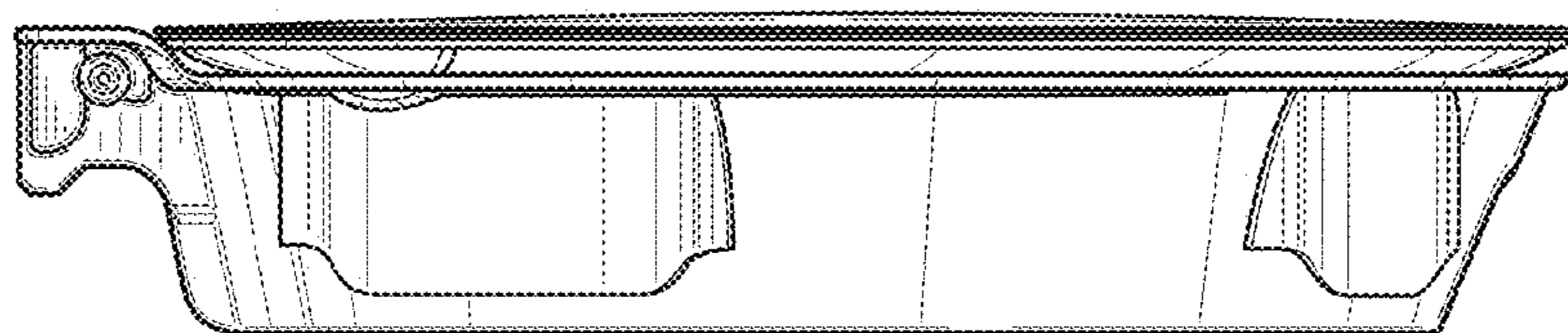


FIG. 5

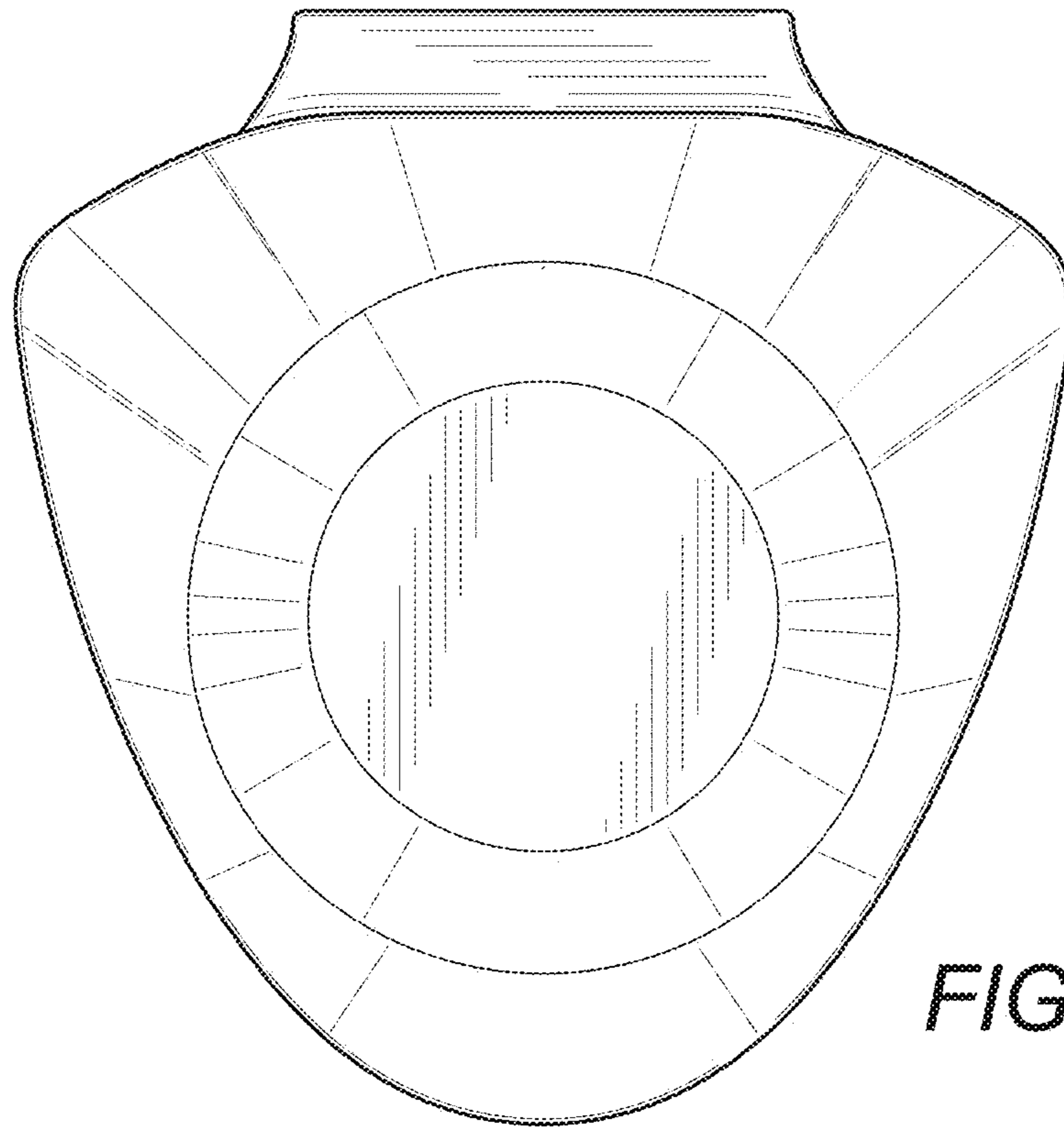


FIG. 6

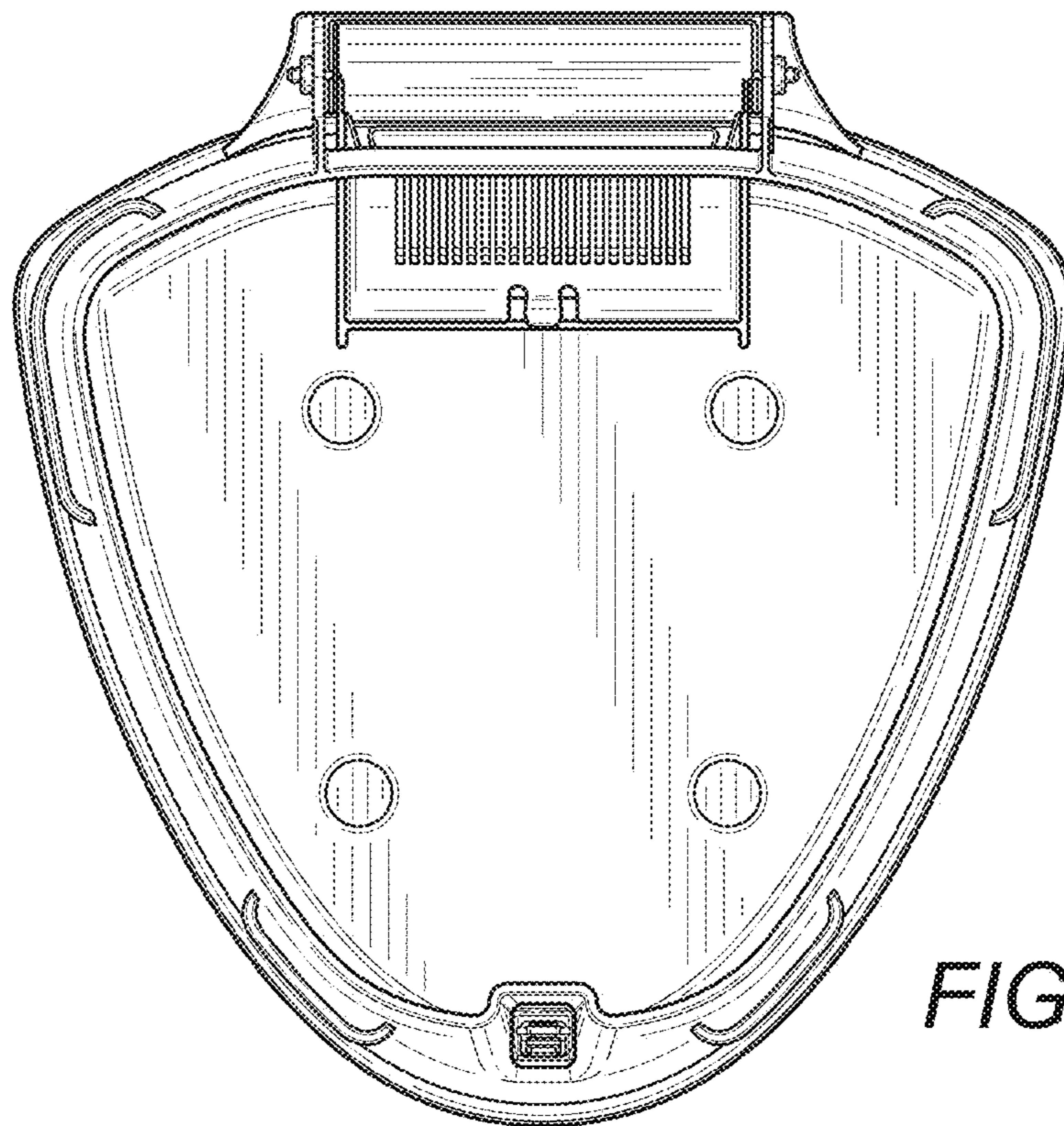


FIG. 7