



US00D878698S

(12) **United States Design Patent**
Choi et al.

(10) **Patent No.:** **US D878,698 S**

(45) **Date of Patent:** **** Mar. 17, 2020**

(54) **IRON**

(71) Applicant: **Hamilton Beach Brands, Inc.**, Glen Allen, VA (US)

(72) Inventors: **Charles Choi**, Chicago, IL (US); **Jacob Stanton**, Chicago, IL (US)

(73) Assignee: **Hamilton Beach Brands, Inc.**, Glen Allen, VA (US)

(**) Term: **15 Years**

(21) Appl. No.: **29/680,681**

(22) Filed: **Feb. 19, 2019**

(51) **LOC (12) Cl.** **07-05**

(52) **U.S. Cl.**
USPC **D32/70**

(58) **Field of Classification Search**
USPC D32/71, 73, 72, 70, 69, 68, 35; D8/71, D8/373, 349, 396, 30; D15/144, 144.2; D28/73; 219/231, 242, 229; 165/80.1; 126/414
CPC D06F 75/34; D06F 75/08; D06F 75/38; D06F 75/00; B08B 3/006; F22B 27/14
See application file for complete search history.

(56) **References Cited**

U.S. PATENT DOCUMENTS

D327,344 S * 6/1992 Correa D32/70
D368,348 S * 3/1996 Loomis D32/70

D416,656 S * 11/1999 Sadler D32/70
D431,338 S * 9/2000 Zanardo D32/70
D456,104 S * 4/2002 Saltet D32/70
D468,070 S * 12/2002 Fujita D32/70
D468,505 S * 1/2003 Fujita D32/70
D470,287 S * 2/2003 Hada D32/70
D524,502 S * 7/2006 Picozza D32/70
D538,990 S * 3/2007 Poon D32/70
D550,915 S * 9/2007 Poon D32/70
D624,266 S * 9/2010 Massip D32/70

* cited by examiner

Primary Examiner — Austin Murphy

(74) *Attorney, Agent, or Firm* — Alexander D. Raring

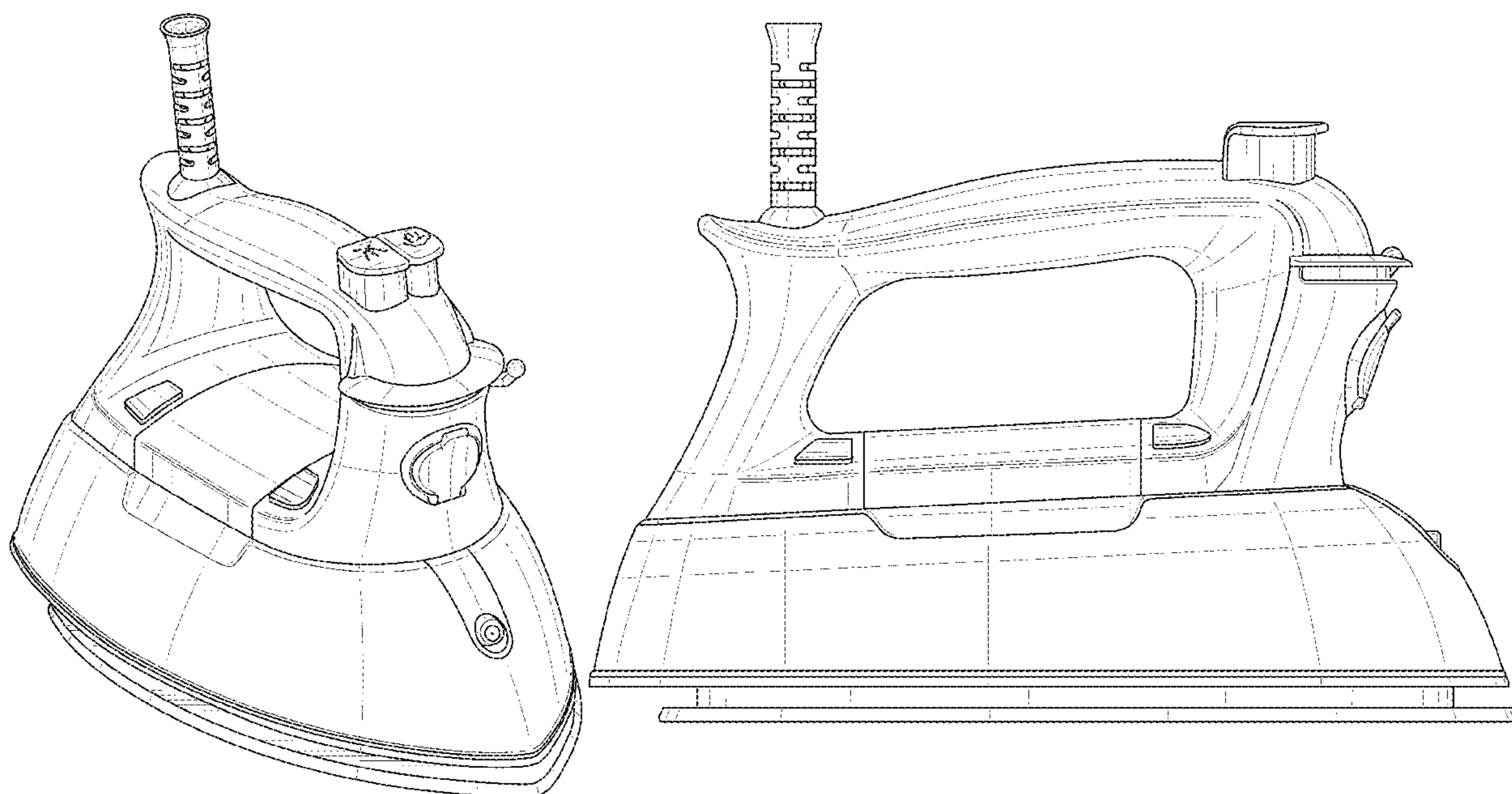
(57) **CLAIM**

The ornamental design for an iron, as shown and described.

DESCRIPTION

FIG. 1 is a perspective view as seen from the top, front and left side of an iron showing the new design;
FIG. 2 is a front view thereof;
FIG. 3 is a rear view thereof;
FIG. 4 is a left side view thereof;
FIG. 5 is a right side view thereof;
FIG. 6 is a top view thereof; and,
FIG. 7 is a bottom view thereof.
The broken lines in the drawings are included for illustrative purposes only and form no part of the claimed design.

1 Claim, 7 Drawing Sheets



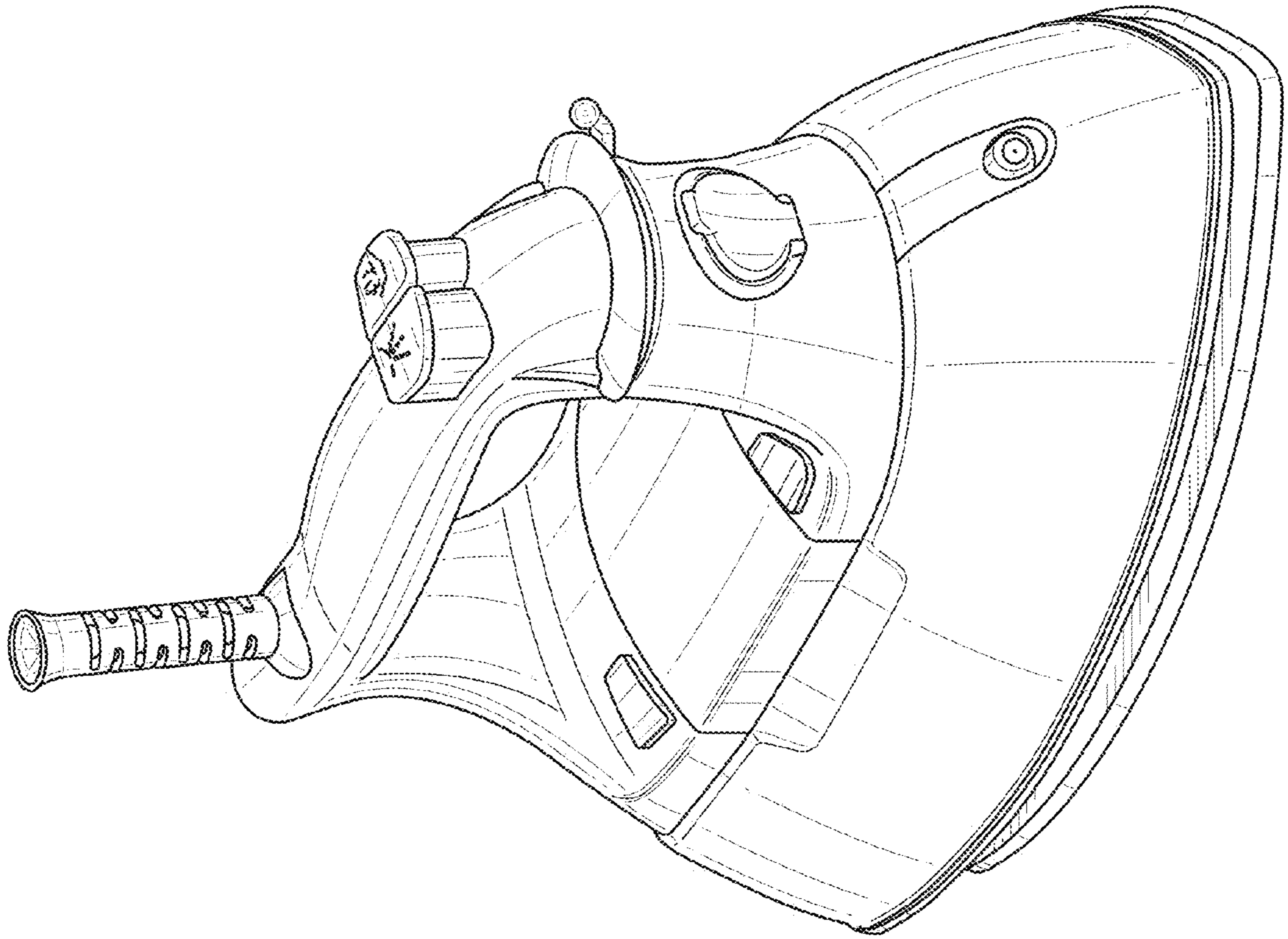


FIG. 1

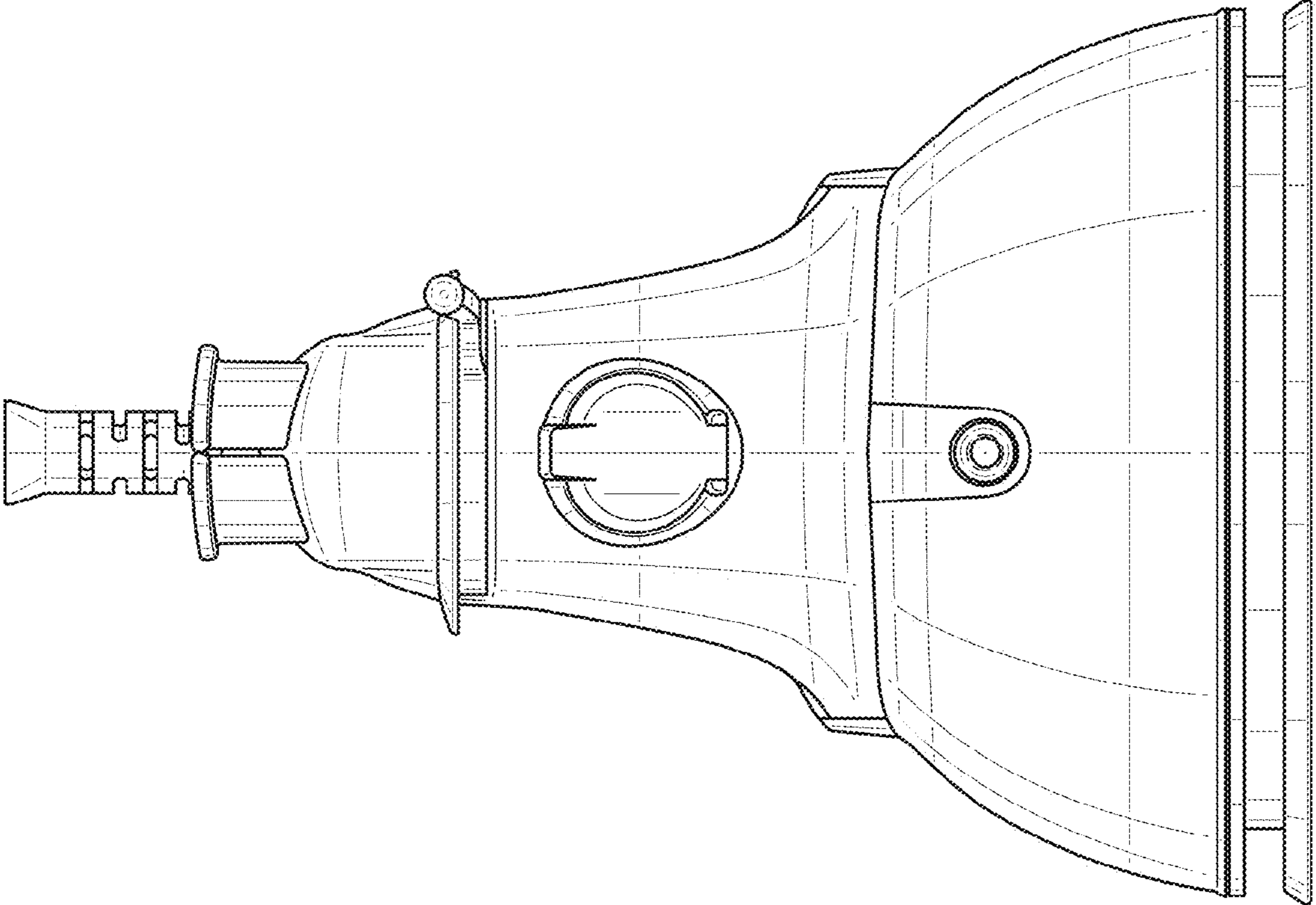


FIG. 2

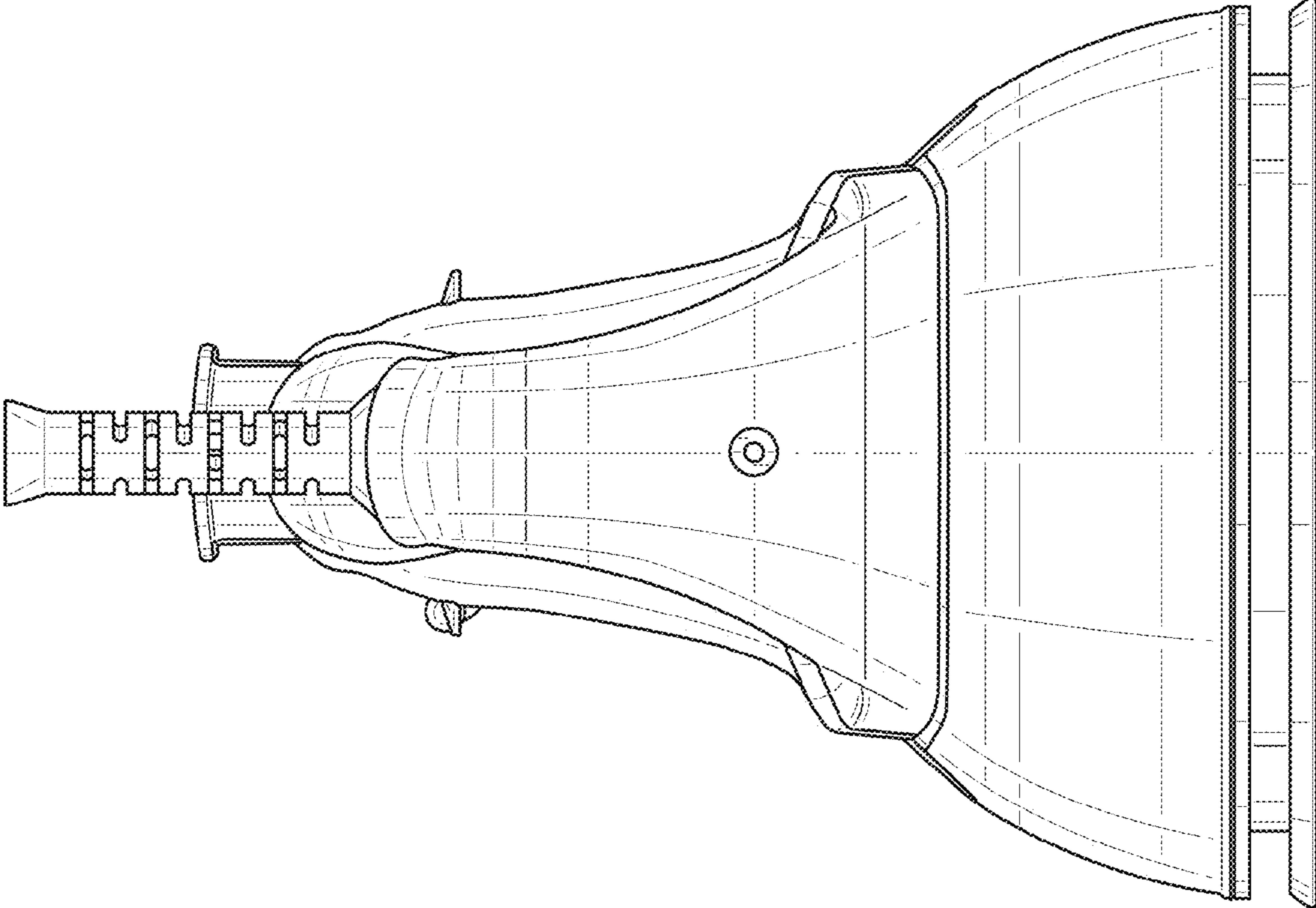


FIG. 3

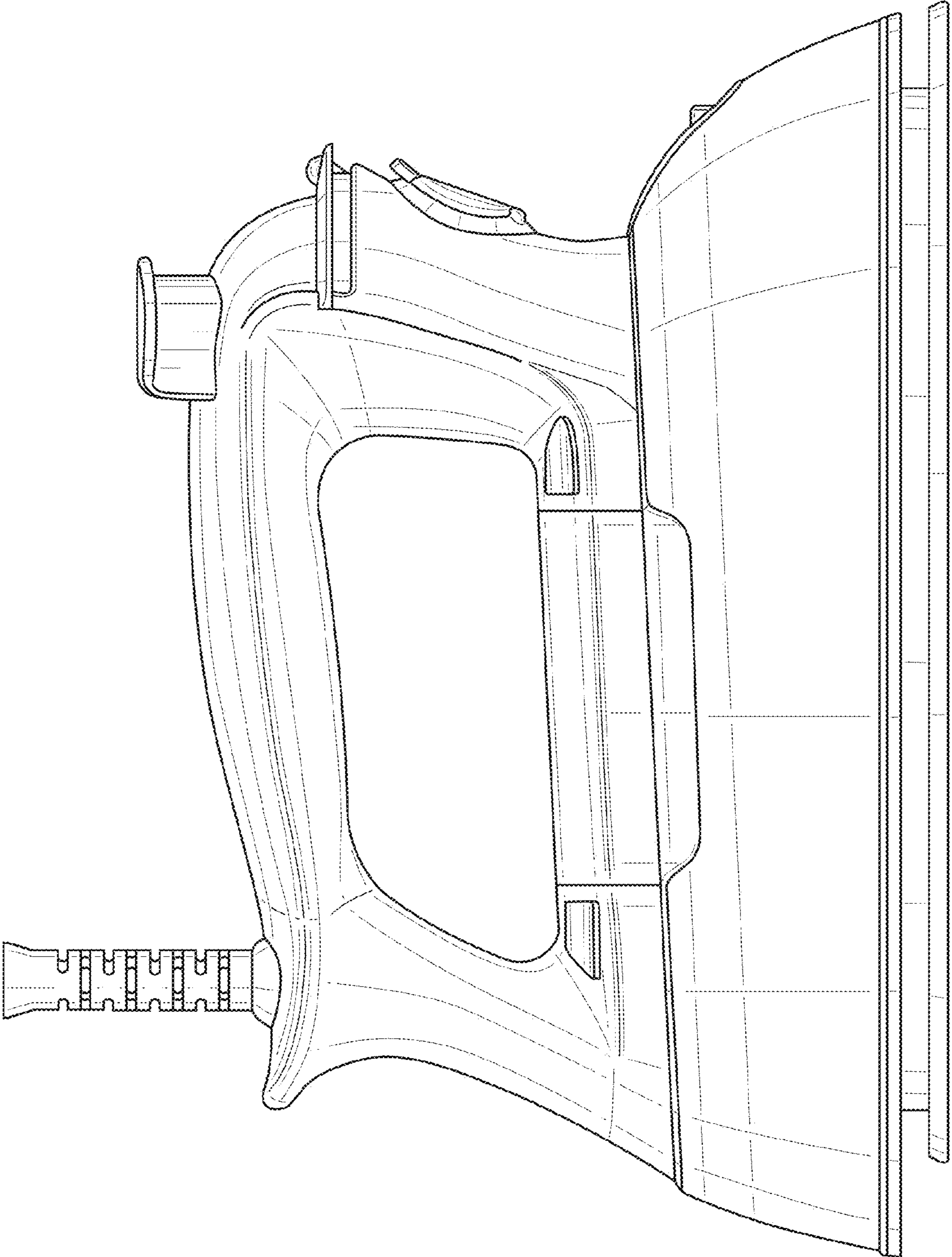


FIG. 4

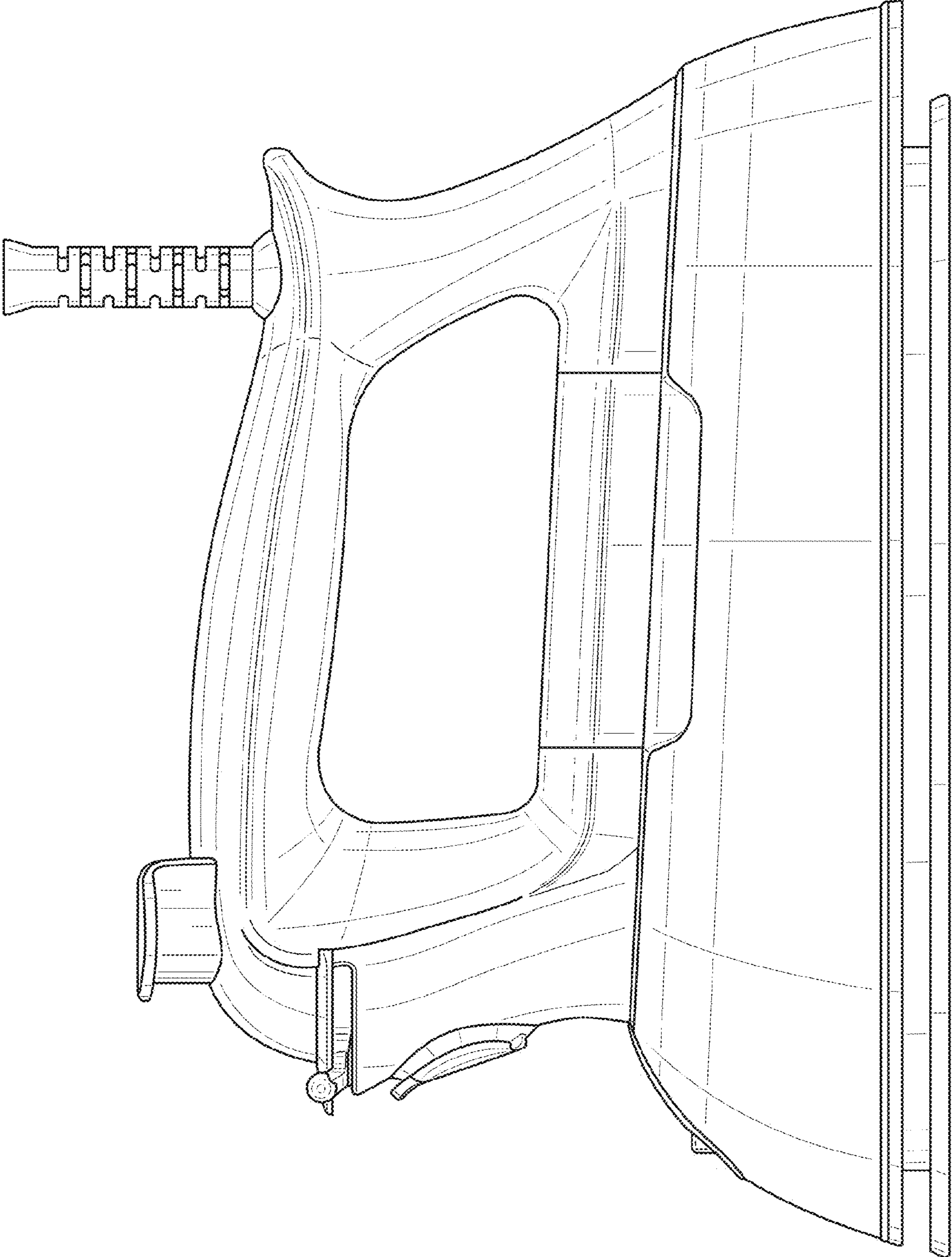


FIG. 5

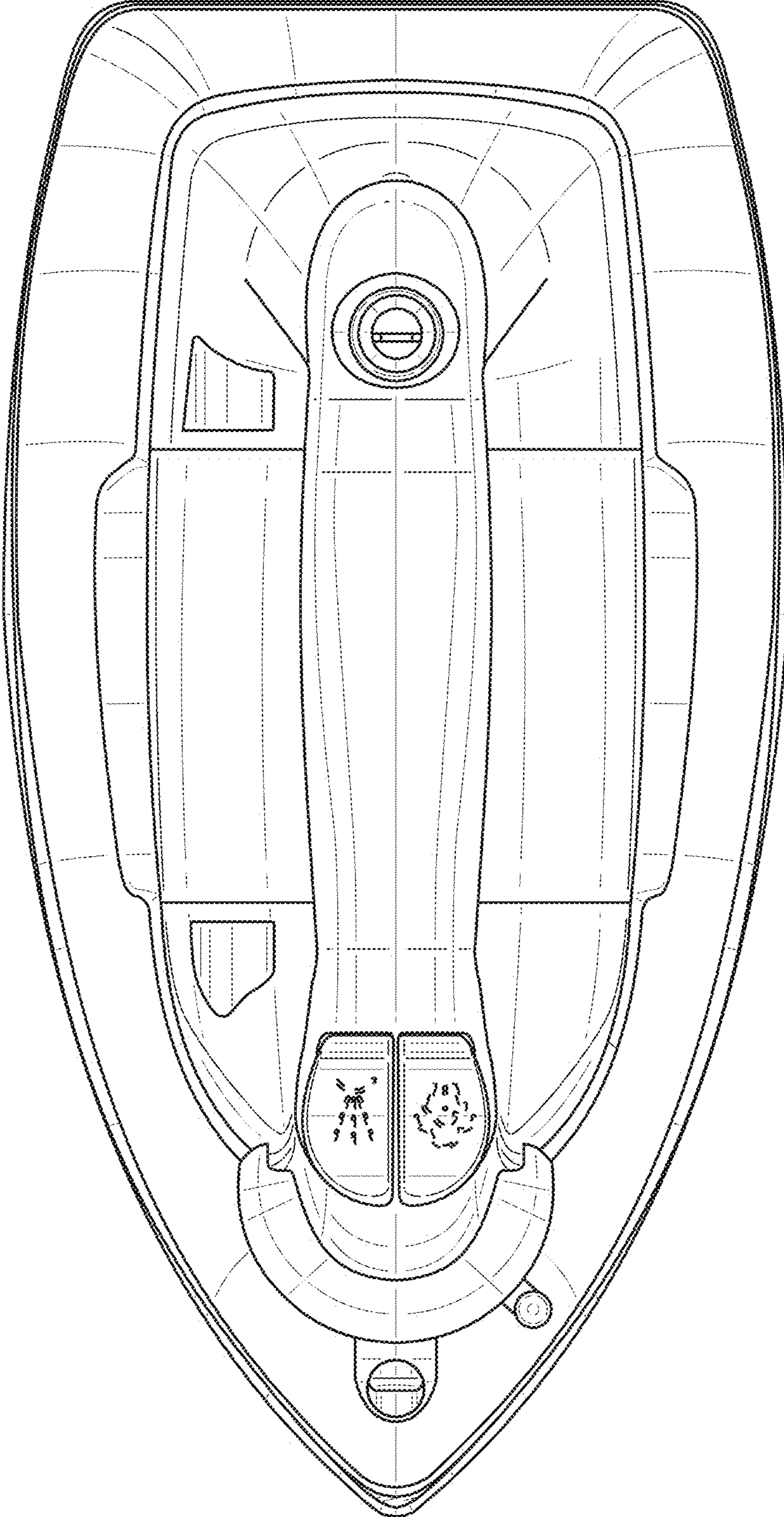


FIG. 6

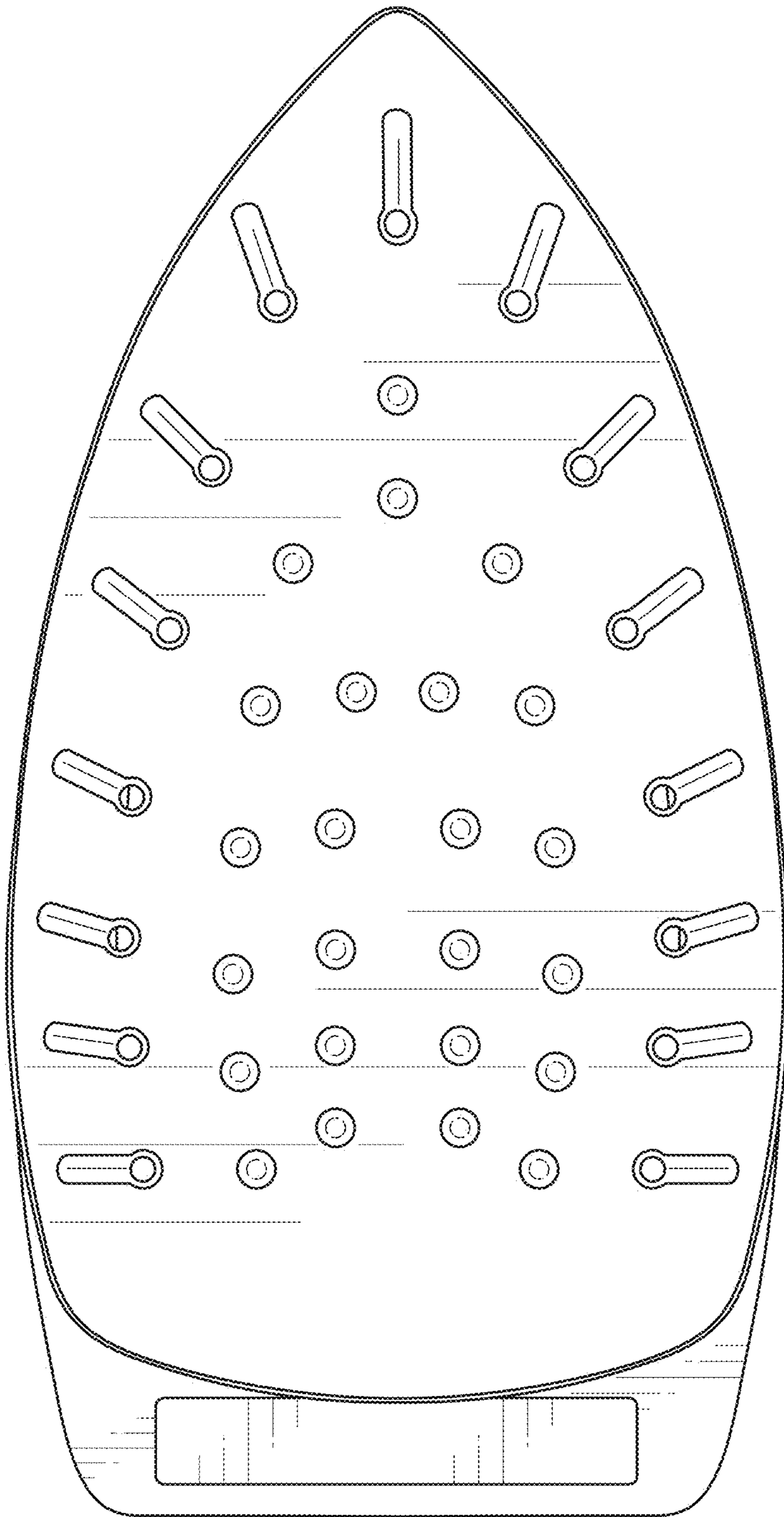


FIG. 7