



US00D878696S

(12) **United States Design Patent** (10) **Patent No.:** **US D878,696 S**
Keister (45) **Date of Patent:** **** Mar. 17, 2020**

(54) **PORTABLE HAND-HELD IRONING BOARD**

(71) Applicant: **Jennifer Keister**, Jupiter, FL (US)

(72) Inventor: **Jennifer Keister**, Jupiter, FL (US)

(**) Term: **15 Years**

(21) Appl. No.: **29/661,145**

(22) Filed: **Aug. 24, 2018**

(51) **LOC (12) Cl.** **07-05**

(52) **U.S. Cl.**
USPC **D32/66**

(58) **Field of Classification Search**

USPC D32/66, 70, 71, 73, 72, 69, 68, 35;
D8/71, 373, 349, 396, 30; D15/144,
D15/144.2; D28/73; 38/103, 104, 107,
38/112, 140, 142; 165/80.1; 126/414
CPC D06F 81/06; D06F 81/34; D06F 75/08;
D06F 75/38; D06F 75/00; F22B 27/14;
B08B 3/006
See application file for complete search history.

(56) **References Cited**

U.S. PATENT DOCUMENTS

2,314,498	A	3/1943	Hoagland	
2,567,056	A *	9/1951	Coumerilh D06F 81/08 38/103
D204,619	S *	5/1966	Chobanian D32/66
5,161,319	A *	11/1992	Boyd D06F 81/02 150/107
5,371,961	A *	12/1994	Mattesky D06F 83/00 38/140
D369,889	S *	5/1996	Buckner D32/66
5,894,690	A *	4/1999	Lehrman D06F 83/00 38/140
7,131,223	B2 *	11/2006	Krotts D06F 83/00 38/140
D704,912	S *	5/2014	Gameiro D32/66
2007/0017219	A1	1/2007	Niidome et al.	
2013/0318842	A1	12/2013	LaFaille	

OTHER PUBLICATIONS

Martha Stewart, "How to make an oversized ironing board," Internet Video found at <https://www.marthastewart.com/916962/how-make-overzied-ironing-board>. Last viewed Jun. 26, 2018.

(Continued)

Primary Examiner — Austin Murphy

(57) **CLAIM**

The ornamental design for a portable hand-held ironing board, as shown and described.

DESCRIPTION

FIG. 1 shows a perspective view of a hand support surface of a portable ironing board having adjustable straps for securing a hand that embodies the portable hand-held ironing board in accordance with an embodiment of the present invention.

FIG. 2 shows a top view of the hand support surface of the portable ironing board in accordance with an embodiment of the present invention.

FIG. 3 shows a top view of an ironing surface of the portable ironing board in accordance with an embodiment of the present invention.

FIG. 4 shows a proximal view of a flat end of the portable ironing board in accordance with an embodiment of the present invention.

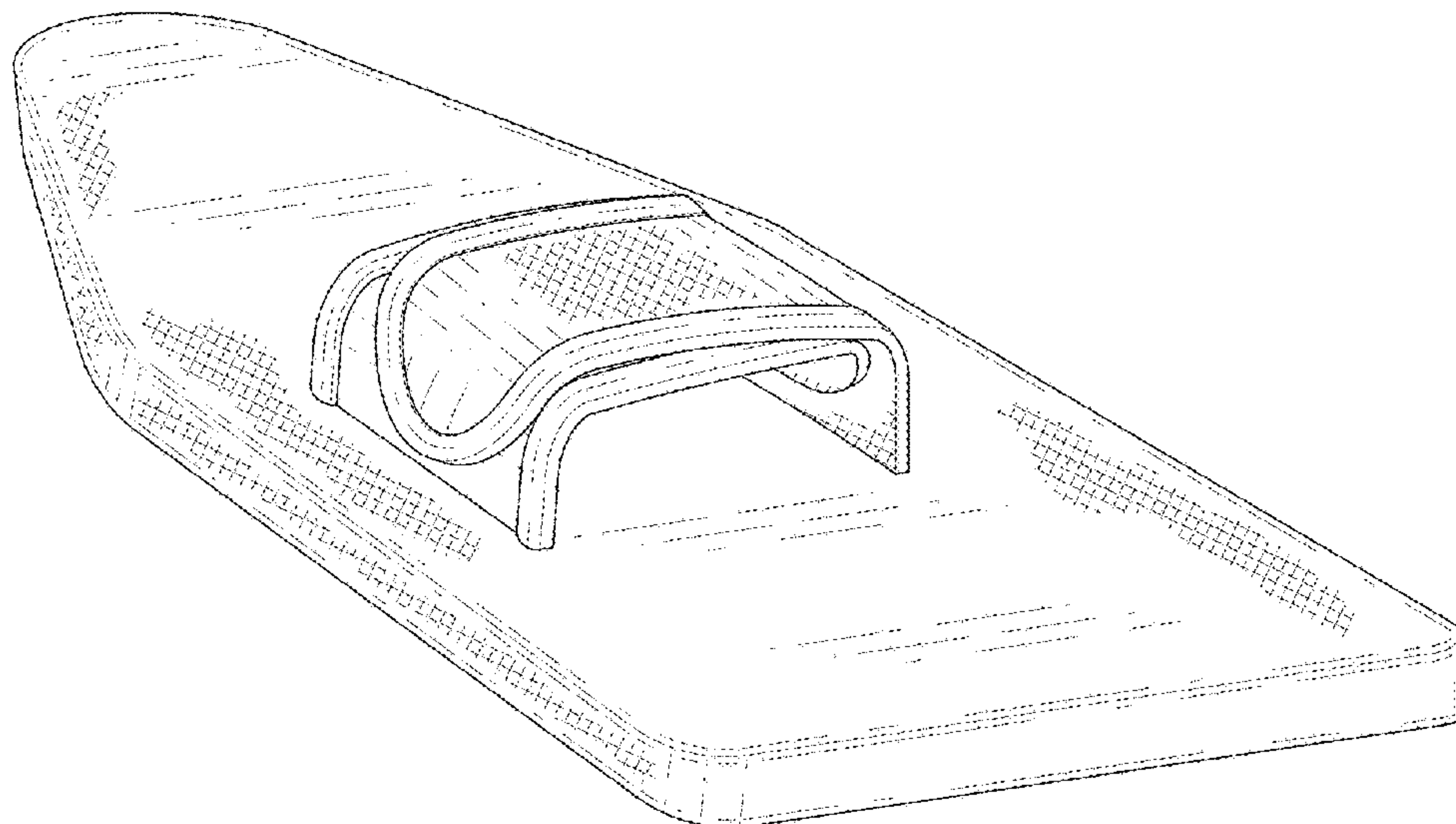
FIG. 5 shows a distal view of a rounded end of the portable hand-held ironing board in accordance with an embodiment of the present invention.

FIG. 6 shows a side view of the portable hand-held ironing board in accordance with an embodiment of the present invention; and,

FIG. 7 shows a side view of the portable hand-held ironing board in accordance with an embodiment of the present invention.

The broken lines showing structural elements in the views is included for the purpose of illustrating portions of the invention that form no part of the claimed design.

1 Claim, 6 Drawing Sheets



(56)

References Cited

OTHER PUBLICATIONS

Malaysia Benbengoose Handheld Mini Ironing Board, Internet posting found at <https://malaysia.planculasia.info/malaysia-benbengoose-handheld-mini-ironing-board-model-and-price/>. Last viewed Aug. 1, 2018.

* cited by examiner

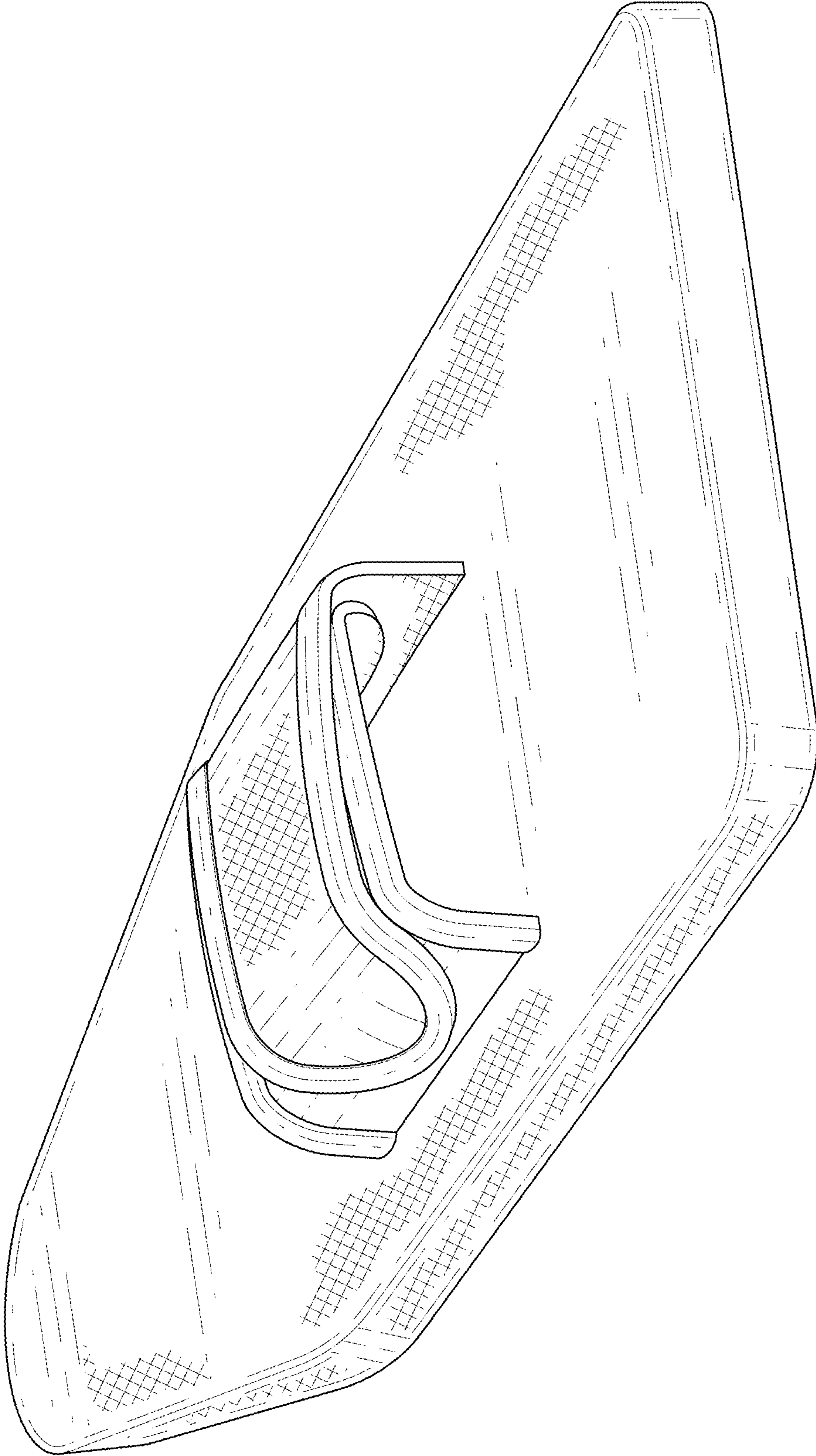


FIG. 1

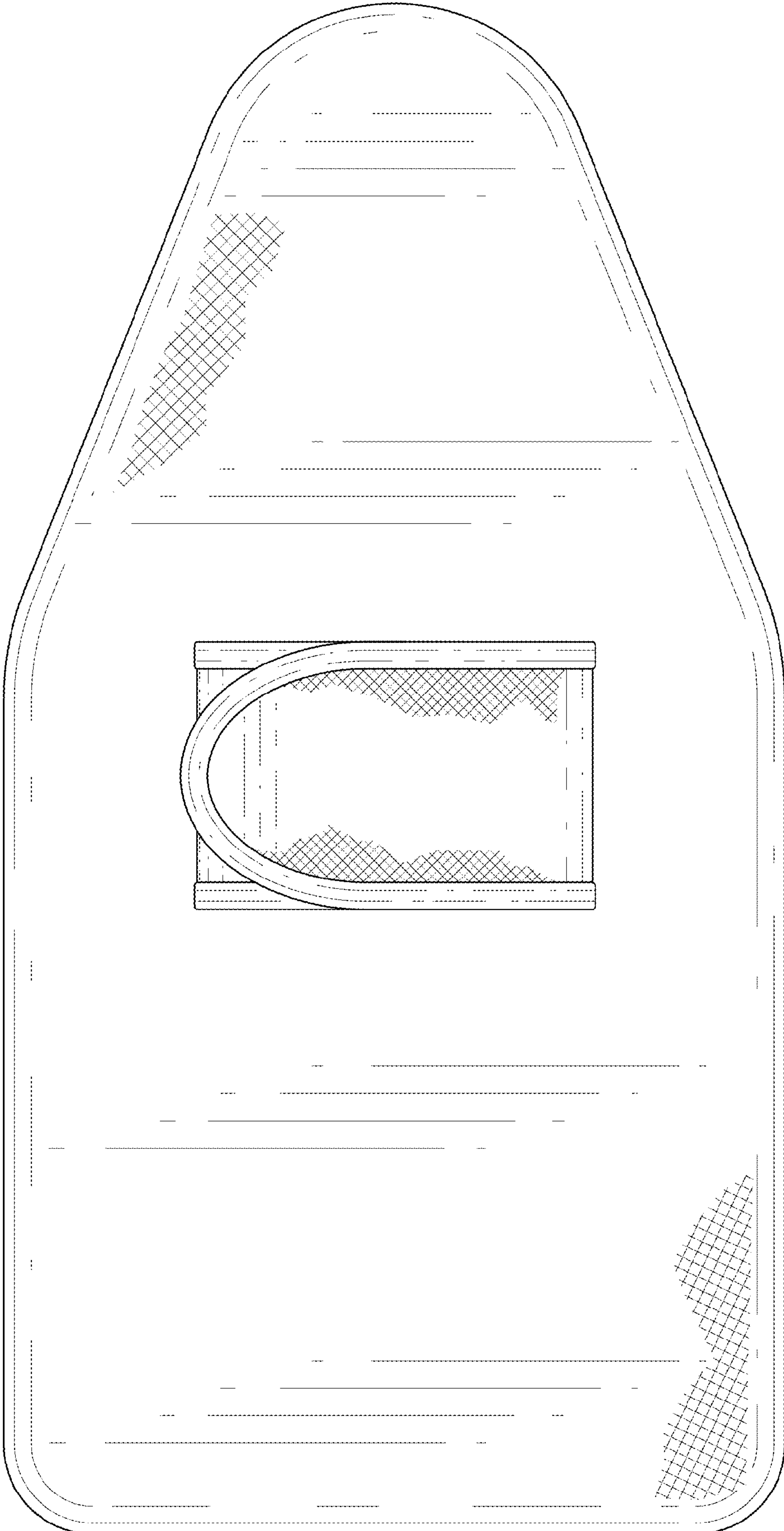


FIG. 2

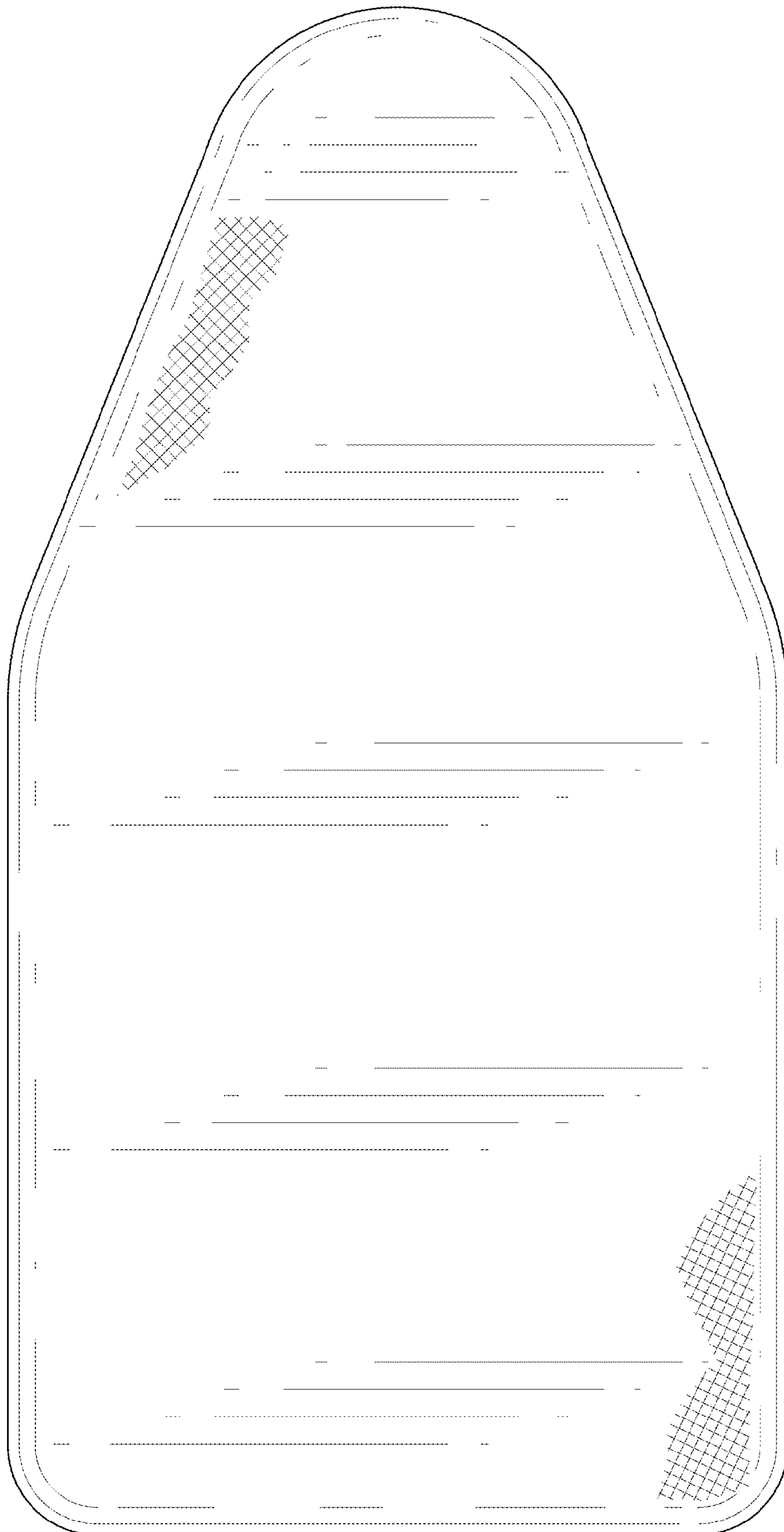


FIG. 3

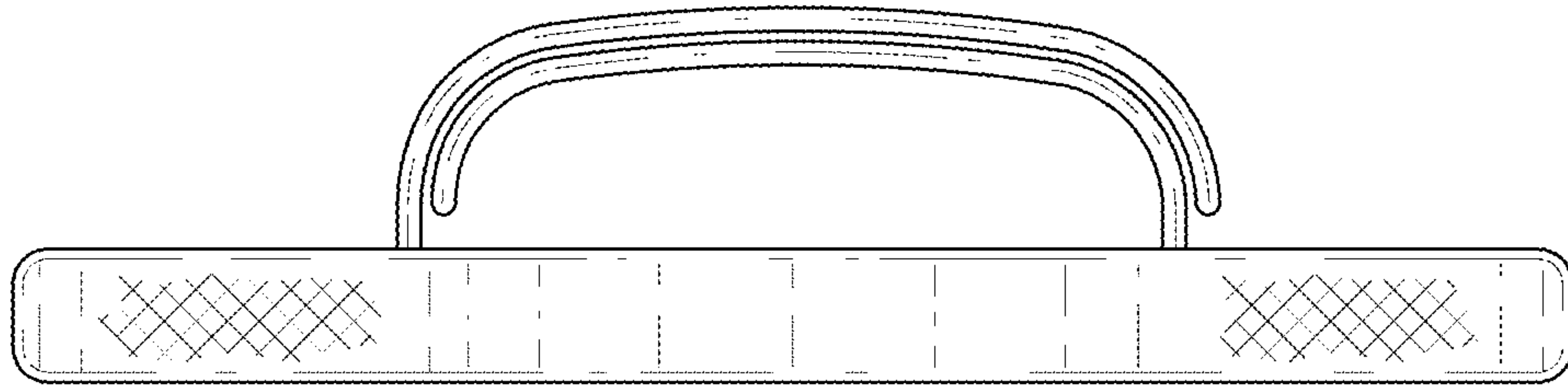


FIG. 4

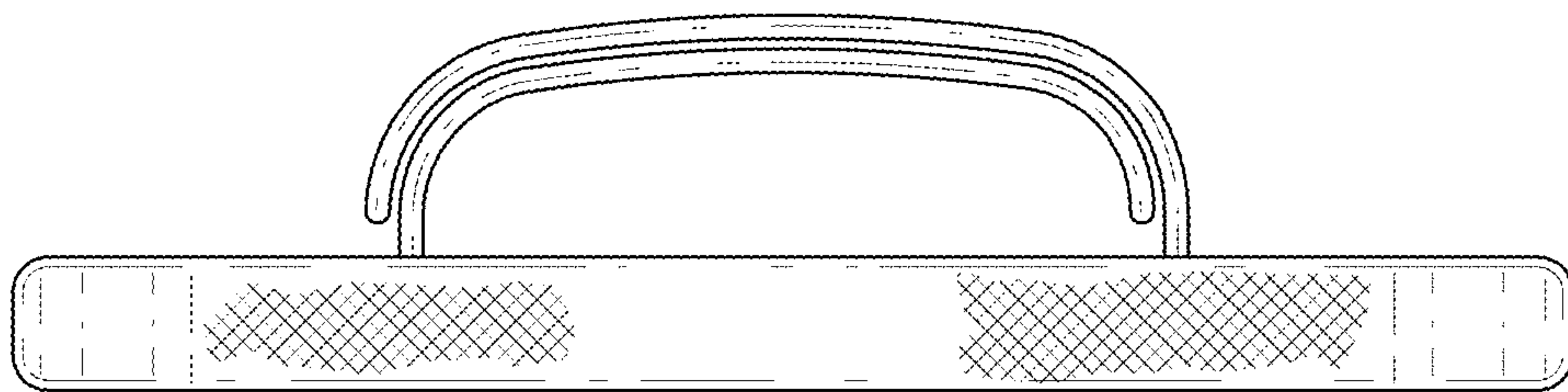


FIG. 5

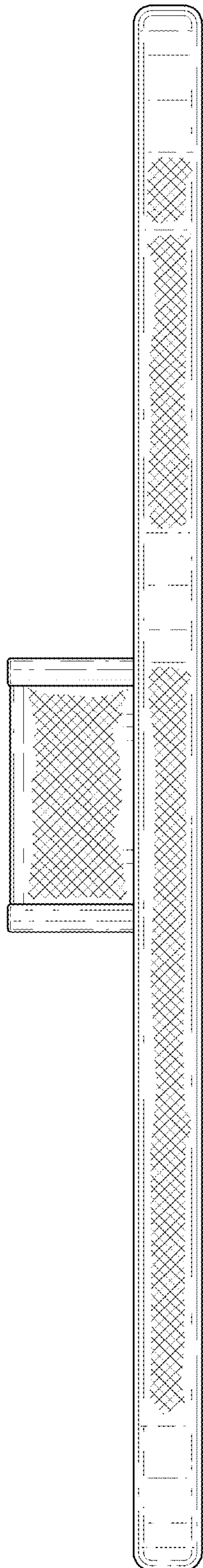


FIG. 6

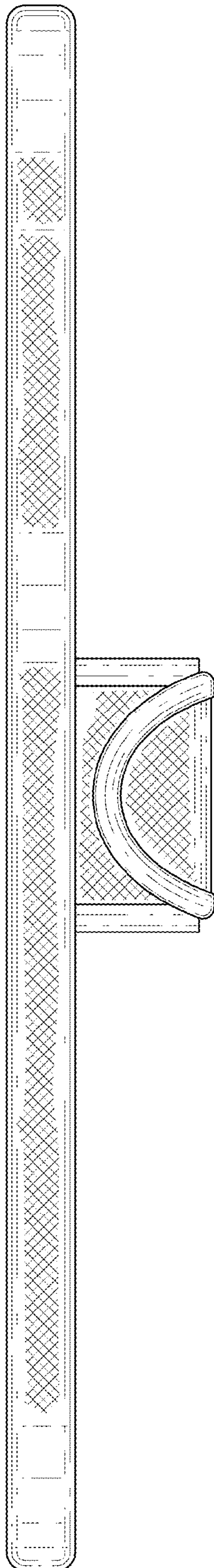


FIG. 7