



US00D878695S

(12) **United States Design Patent**
Reinhart et al.

(10) **Patent No.:** **US D878,695 S**
(45) **Date of Patent:** **** Mar. 17, 2020**

- (54) **BUCKET**
- (71) Applicant: **CREATIVE PLASTIC CONCEPTS, LLC**, Sycamore, OH (US)
- (72) Inventors: **Nickolas Reinhart**, Findlay, OH (US);
Jacob H. Whitta, Findlay, OH (US)
- (73) Assignee: **CREATIVE PLASTIC CONCEPTS, LLC**, Sycamore, OH (US)
- (**) Term: **15 Years**
- (21) Appl. No.: **29/664,925**
- (22) Filed: **Sep. 28, 2018**
- (51) **LOC (12) Cl.** **07-05**
- (52) **U.S. Cl.**
USPC **D32/53**
- (58) **Field of Classification Search**
USPC D32/53, 53.1, 54; D3/304, 307, 315, 905
CPC B44D 3/123; B44D 3/128; B44D 3/12;
A47L 13/142; A47L 13/58; B65D 25/14;
B65D 2543/00092; B65D 45/20
See application file for complete search history.

- D815,786 S 4/2018 Seiders et al.
- D815,787 S 4/2018 Seiders et al.
- D815,788 S 4/2018 Seiders et al.
- 2005/0133521 A1* 6/2005 Schwarz B65D 25/32
220/759
- 2005/0279654 A1* 12/2005 Robles B65D 25/2897
206/232
- 2006/0175334 A1* 8/2006 Schwarz B65D 43/169
220/276
- 2019/0177039 A1* 6/2019 Scholl B65D 21/0222
- * cited by examiner

Primary Examiner — Sheryl Lane
Assistant Examiner — Calvin E Vansant
 (74) *Attorney, Agent, or Firm* — Jacob M. Ward; Ward Law Office LLC

(57) **CLAIM**

The ornamental design for a bucket, as shown and described.

DESCRIPTION

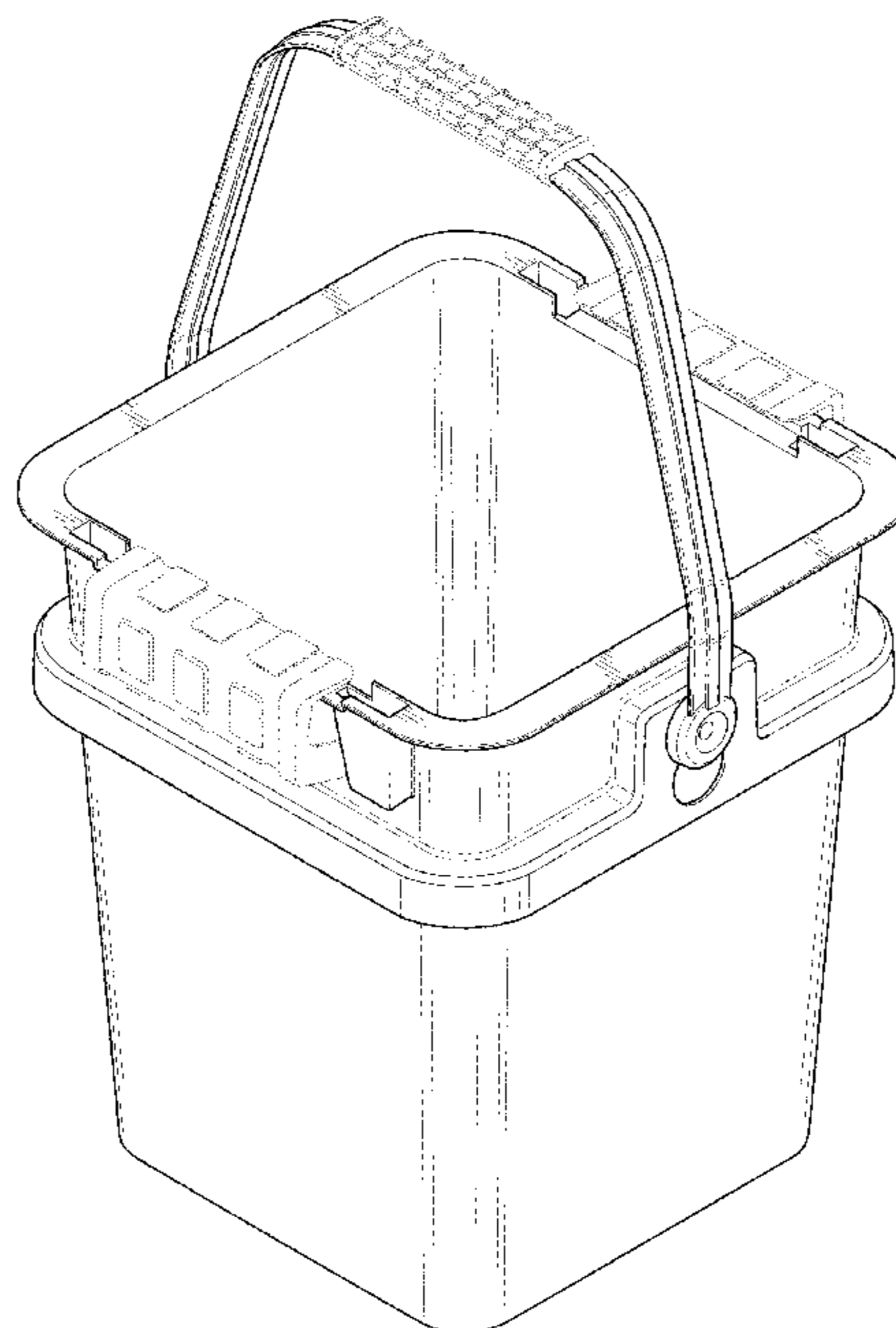
FIG. 1 is a top perspective view of a bucket;
 FIG. 2 is a bottom perspective view thereof;
 FIG. 3 is a top plan view thereof;
 FIG. 4 is a bottom plan view thereof;
 FIG. 5 is a right side elevational view thereof; and,
 FIG. 6 is a front elevational view thereof.
 A left side elevational view is not shown because it is identical to the right side elevational view shown in FIG. 5.
 A rear elevational view is not shown because it is identical to the front elevational view shown in FIG. 6.
 In the drawings, the broken lines depict portions of the bucket that form no part of the claim.
 The ornamental design which is claimed is shown in solid lines in the drawings.

1 Claim, 6 Drawing Sheets

(56) **References Cited**

U.S. PATENT DOCUMENTS

- D327,555 S * 6/1992 Juergens D32/53
- D506,608 S * 6/2005 Dong B65D 25/32
D3/276
- D526,481 S * 8/2006 Dong B65D 43/169
D3/276
- D593,269 S * 5/2009 Weiler B65D 25/2897
D32/53
- 7,938,286 B2 * 5/2011 Vogel B65D 21/0222
220/270
- D717,010 S * 11/2014 Jackson B65D 25/32
D32/53



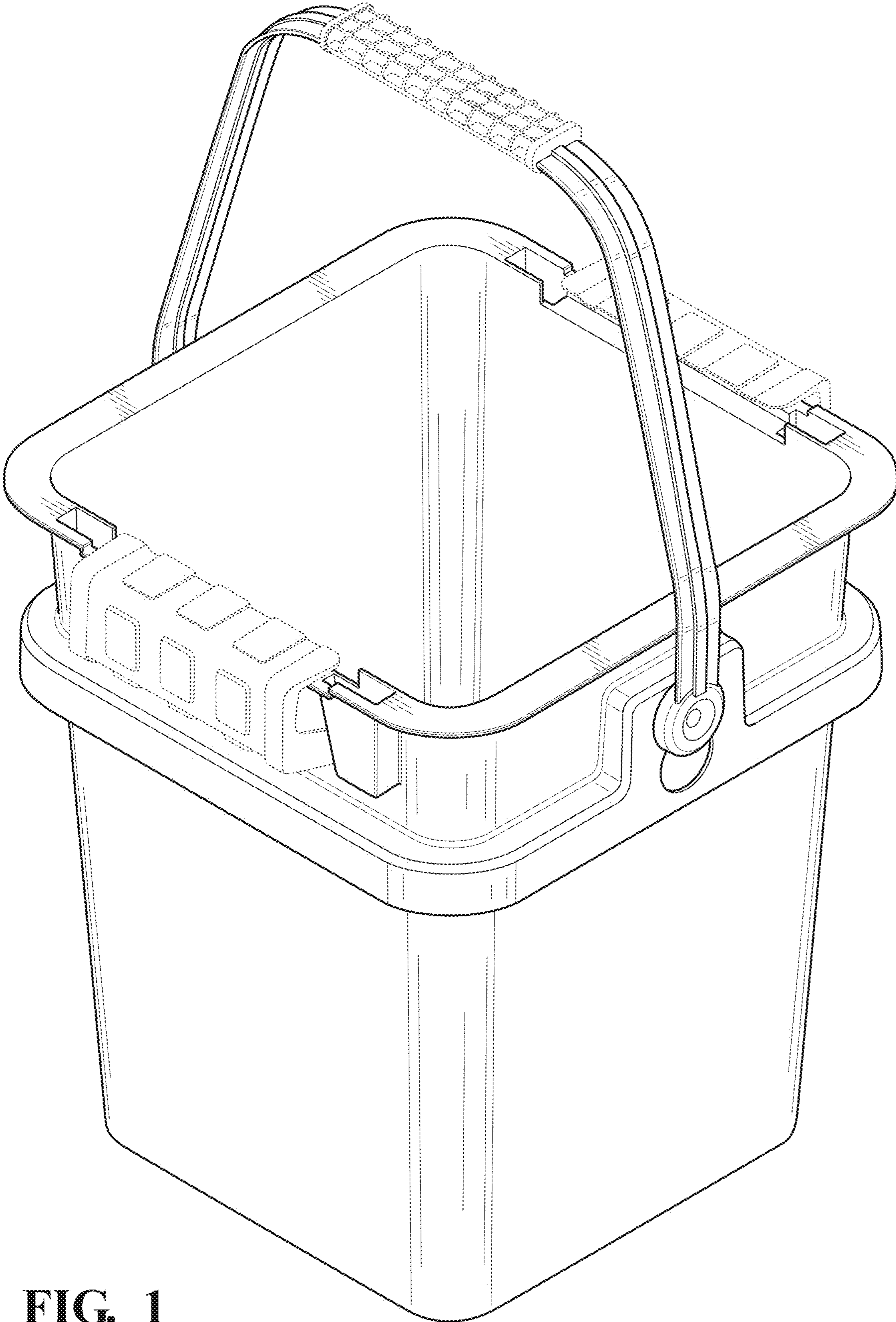


FIG. 1

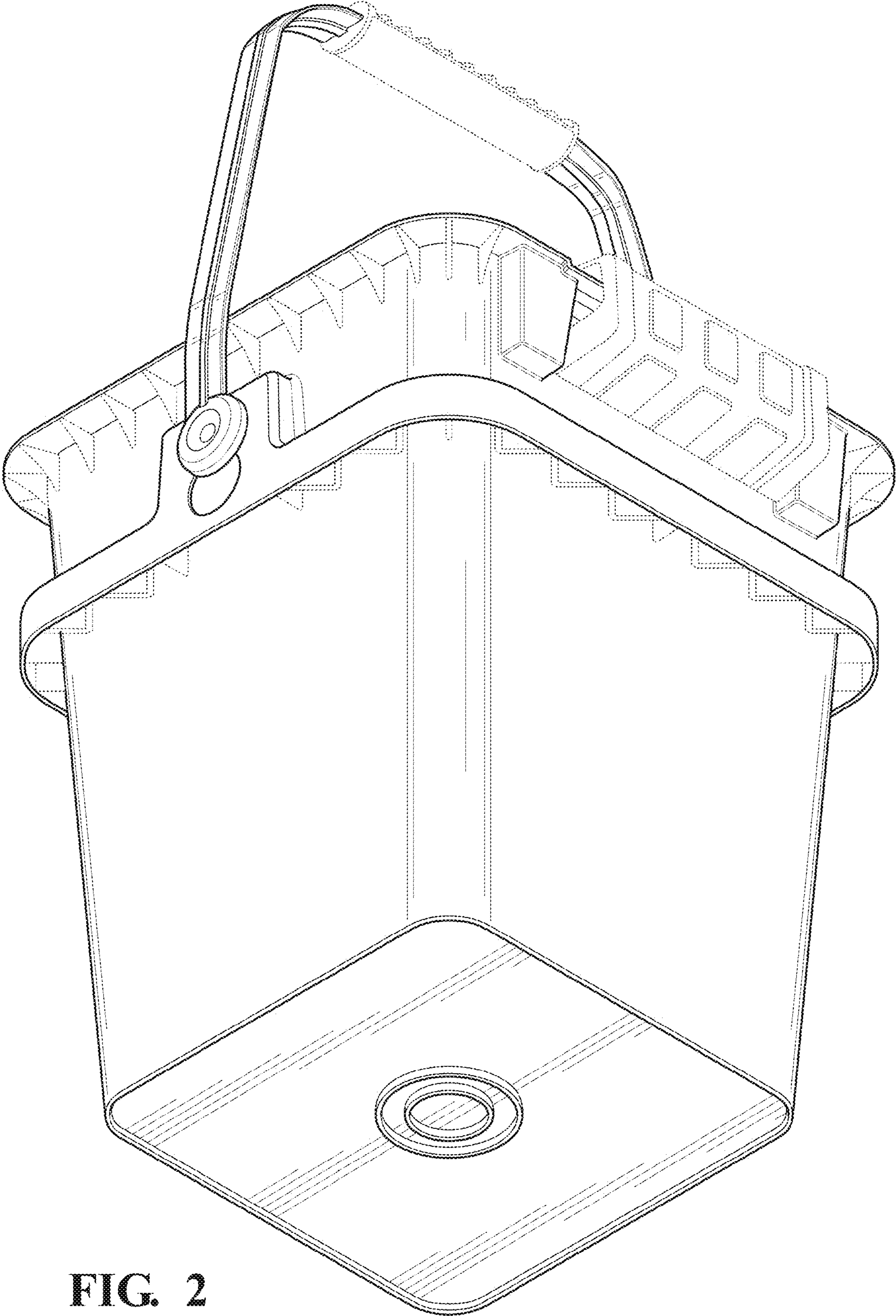


FIG. 2

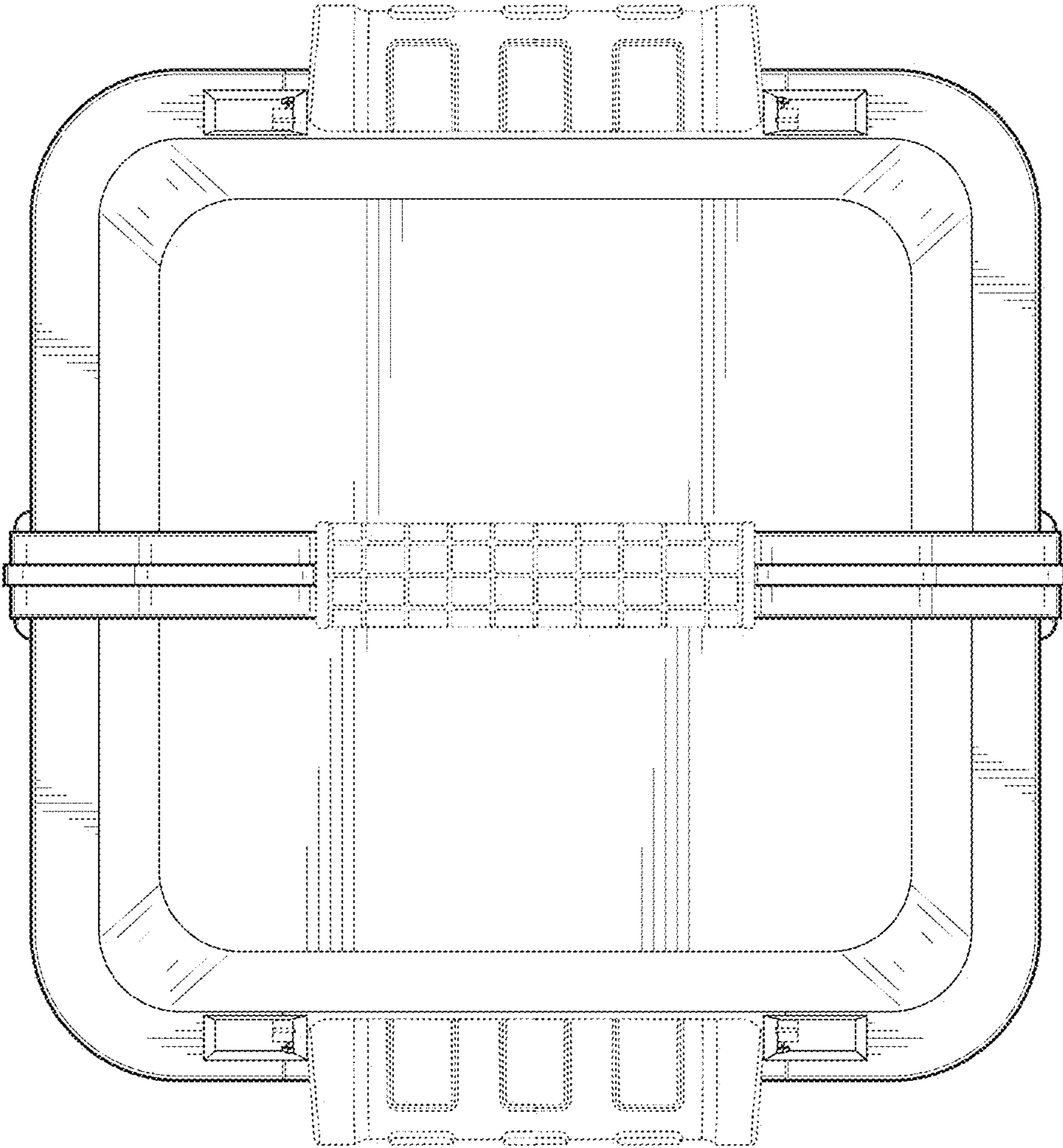


FIG. 3

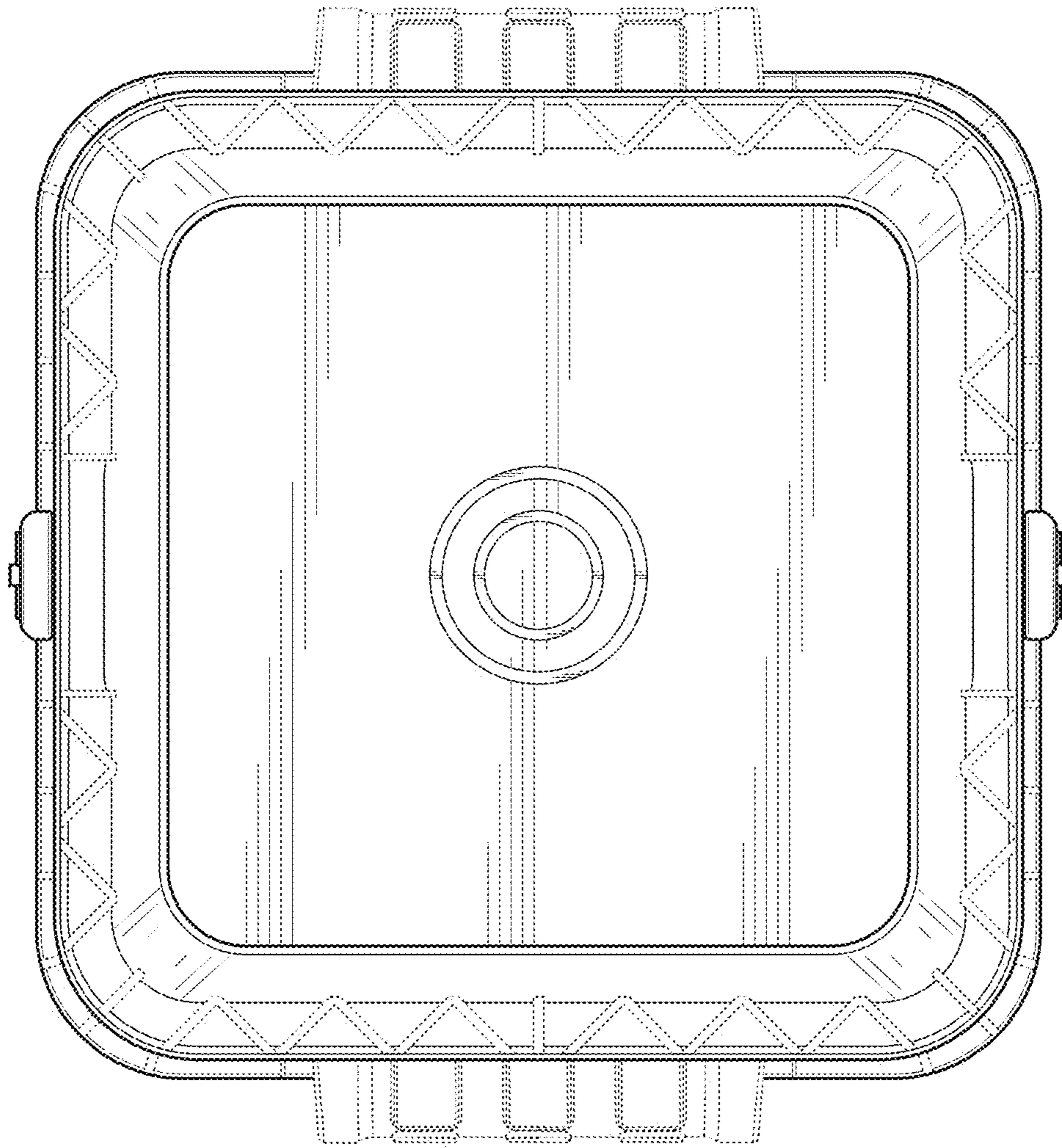


FIG. 4

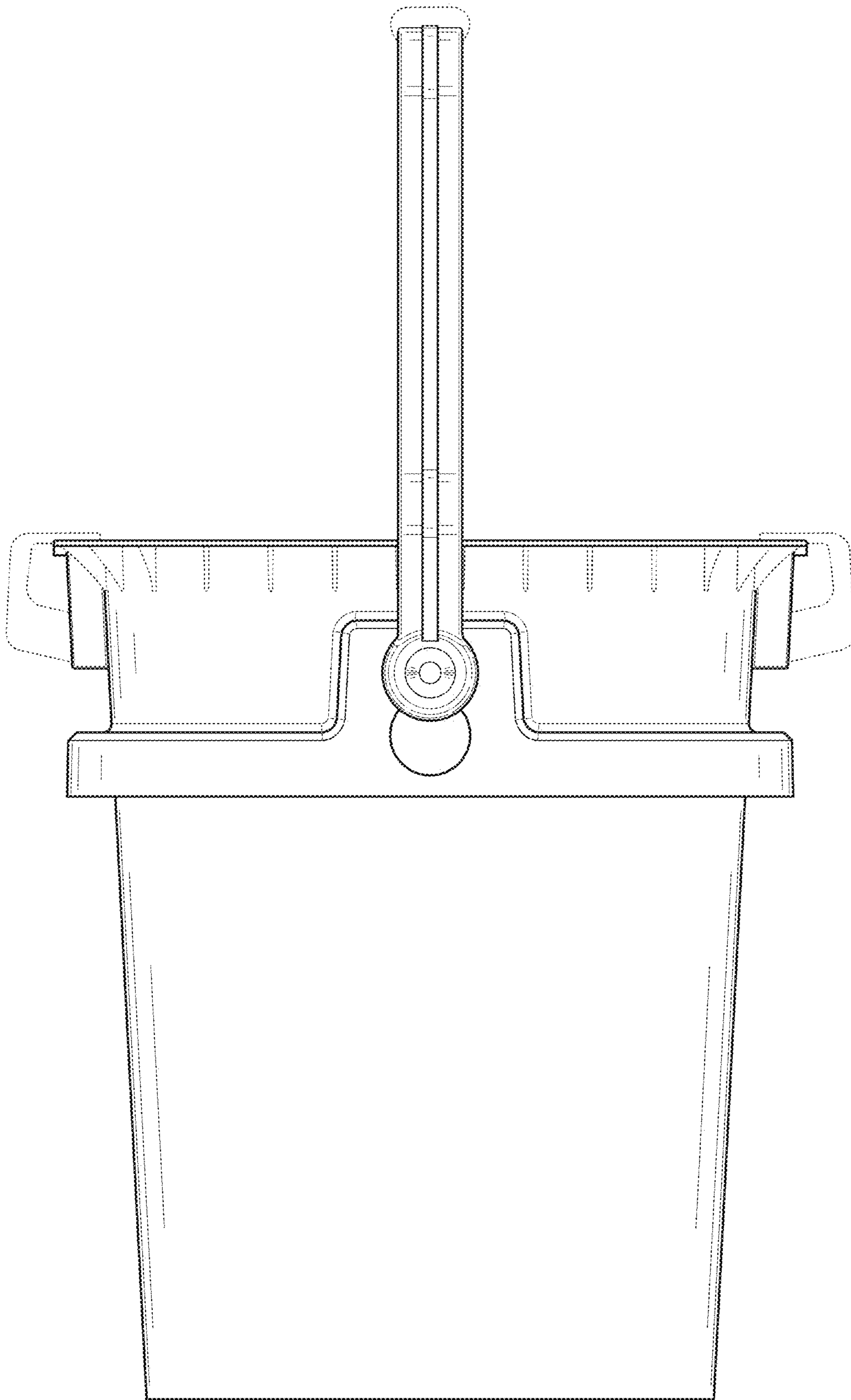


FIG. 5

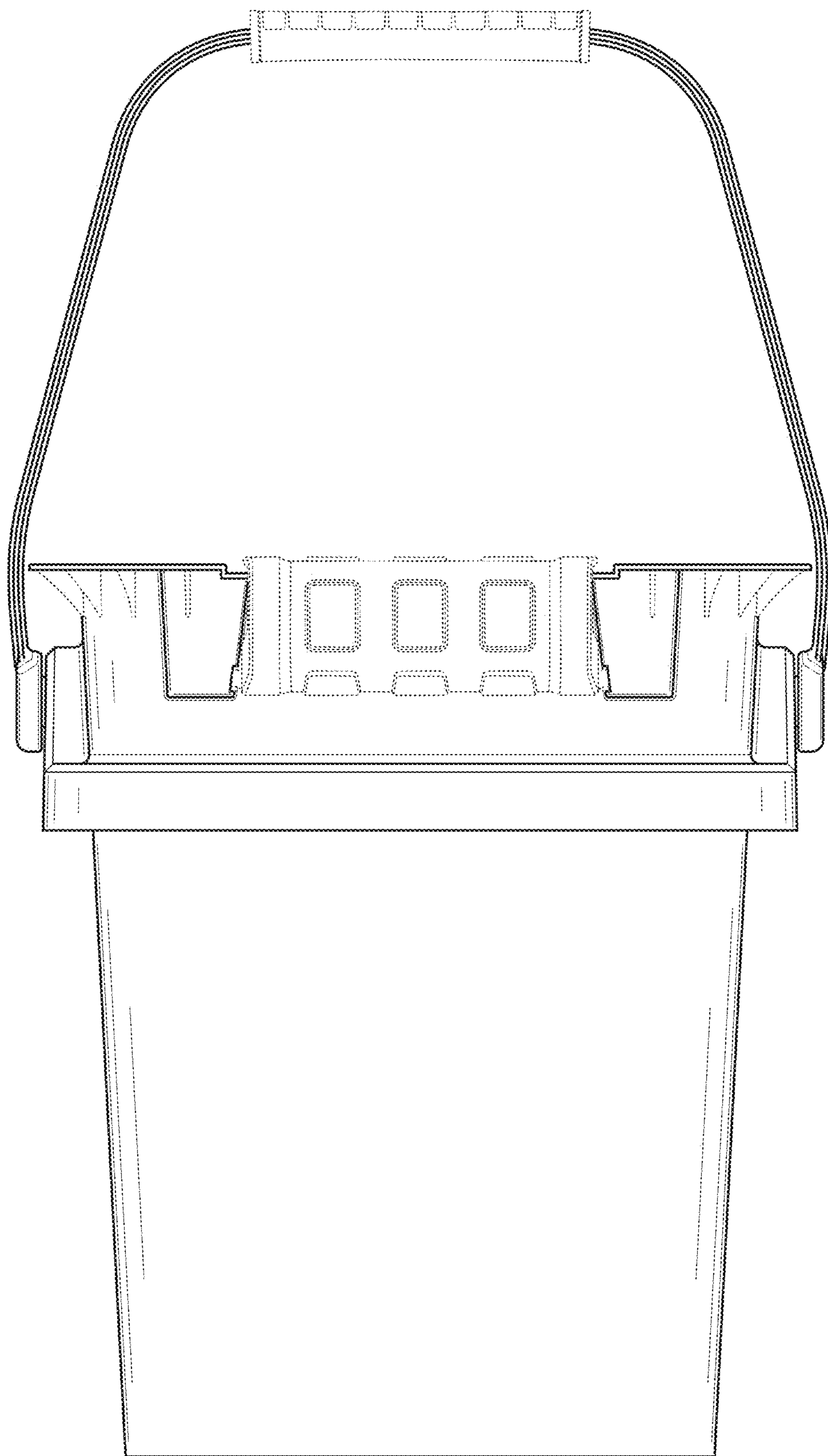


FIG. 6