



US00D878692S

(12) **United States Design Patent**  
**Bosyj et al.**

(10) **Patent No.:** **US D878,692 S**  
(45) **Date of Patent:** **\*\* Mar. 17, 2020**

(54) **BRUSH FOR A CLEANING DEVICE**  
(71) Applicant: **TTI (MACAO COMMERCIAL OFFSHORE) LIMITED**, Macau (MO)  
(72) Inventors: **Nick M. Bosyj**, Charlotte, NC (US); **Christopher B. Gilbert**, Harrisburg, NC (US); **Bradley Hooley**, Charlotte, NC (US); **Don Lydic**, Mooresville, NC (US); **John Morphej**, Concord, NC (US)

D471,332 S \* 3/2003 Haegermarck ..... D32/31  
D478,698 S \* 8/2003 Mertes ..... D32/31  
D518,258 S \* 3/2006 Hamm ..... D32/31  
7,185,396 B2 3/2007 Im et al.  
D647,265 S \* 10/2011 Follows ..... D32/31  
D680,287 S \* 4/2013 Morgan ..... D32/31  
D680,289 S \* 4/2013 Gray ..... D32/31  
D681,291 S \* 4/2013 Morgan ..... D32/31  
D728,877 S \* 5/2015 Therrien ..... D32/31  
D747,052 S \* 1/2016 Therrien ..... D32/31  
D761,507 S \* 7/2016 Heck ..... D32/31  
D785,883 S \* 5/2017 Wennerstrom ..... D32/31  
D790,785 S \* 6/2017 Courtney ..... D32/31

(Continued)

(73) Assignee: **TTI (Macao Commercial Offshore) Limited**, Praia Grande (MO)

**FOREIGN PATENT DOCUMENTS**

(\*\*) Term: **15 Years**

CN 2574576 9/2003  
CN 204427936 7/2015

(21) Appl. No.: **29/625,770**

(Continued)

(22) Filed: **Nov. 13, 2017**

*Primary Examiner* — Ruth McInroy

(51) **LOC (12) Cl.** ..... **05-05**

(74) *Attorney, Agent, or Firm* — Michael Best & Friedrich LLP

(52) **U.S. Cl.**

USPC ..... **D32/31**

(58) **Field of Classification Search**

USPC ..... D32/31

See application file for complete search history.

(57) **CLAIM**

We claim the ornamental design, as shown.

**DESCRIPTION**

(56) **References Cited**

**U.S. PATENT DOCUMENTS**

1,815,084 A 7/1931 White  
1,886,129 A 11/1932 Smellie  
4,209,873 A \* 7/1980 Schaefer ..... A47L 5/30  
15/182  
5,239,721 A \* 8/1993 Zahuranec ..... A47L 11/32  
15/41.1  
5,495,634 A \* 3/1996 Brundula ..... A47L 5/30  
15/179  
D431,698 S \* 10/2000 Hoshide ..... D32/31  
6,463,623 B2 \* 10/2002 Ahn ..... A47L 5/30  
15/364

FIG. 1 is a perspective view of a brush for a cleaning device showing our new design;

FIG. 2 is a first side view of the brush of FIG. 1.

FIG. 3 is a second side view of the brush of FIG. 1.

FIG. 4 is a third side view of the brush of FIG. 1.

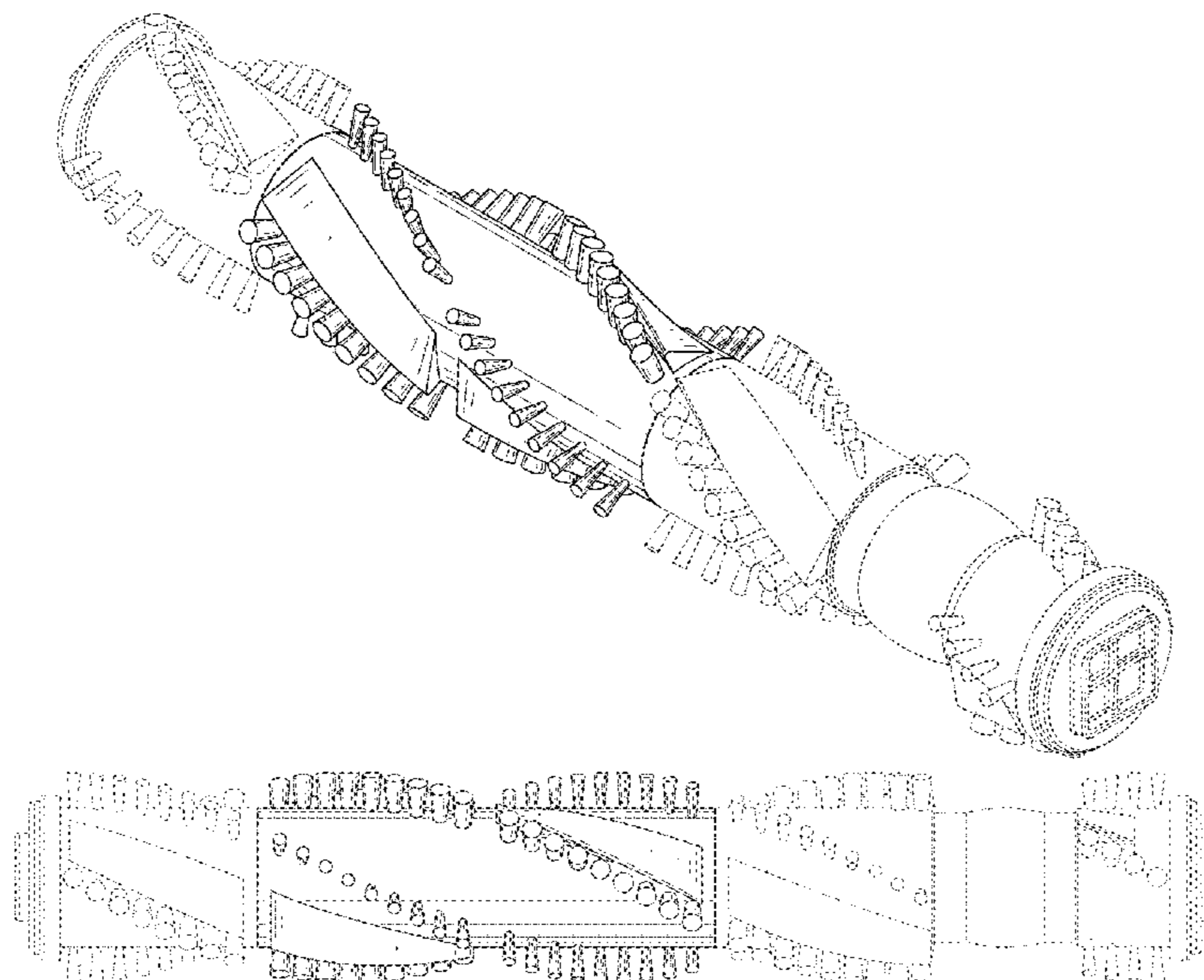
FIG. 5 is a fourth side view of the brush of FIG. 1.

FIG. 6 is a first end view of the brush of FIG. 1; and,

FIG. 7 is a second end view of the brush of FIG. 1.

The dash-dot-dashed lines represent unclaimed boundary lines. The details shown in broken lines form no part of the claimed design.

**1 Claim, 6 Drawing Sheets**



(56)

**References Cited**

U.S. PATENT DOCUMENTS

D796,134 S \* 8/2017 LaBarbera ..... D32/31  
9,750,383 B2 \* 9/2017 Janzen ..... A47L 9/0444  
9,999,330 B2 \* 6/2018 Fang ..... A47L 9/0477  
10,034,588 B2 7/2018 Kasper et al.  
D849,345 S \* 5/2019 Thorne ..... D32/31  
2004/0111827 A1 6/2004 Im et al.  
2005/0039282 A1 2/2005 Paterson et al.  
2015/0342429 A1 12/2015 Rukavina  
2015/0342430 A1 12/2015 Kasper et al.  
2015/0374187 A1 12/2015 Denhof  
2016/0278595 A1 9/2016 Shim et al.

FOREIGN PATENT DOCUMENTS

CN 205251419 5/2016  
CN 205513160 8/2016  
CN 105919513 9/2016  
CN 106343922 1/2017  
CN 206007154 3/2017  
WO 2012140870 10/2012  
WO 2016008763 1/2016

\* cited by examiner

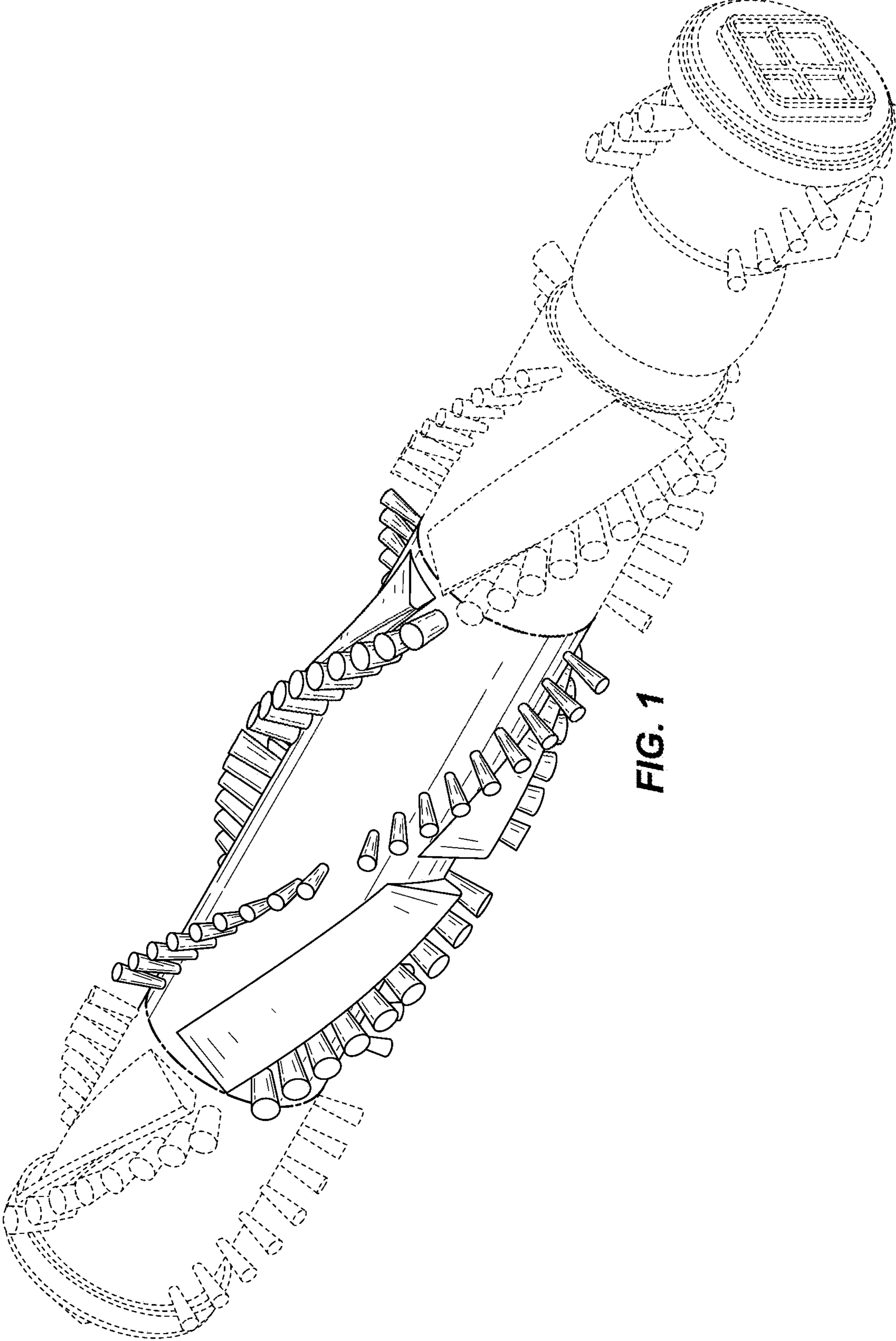
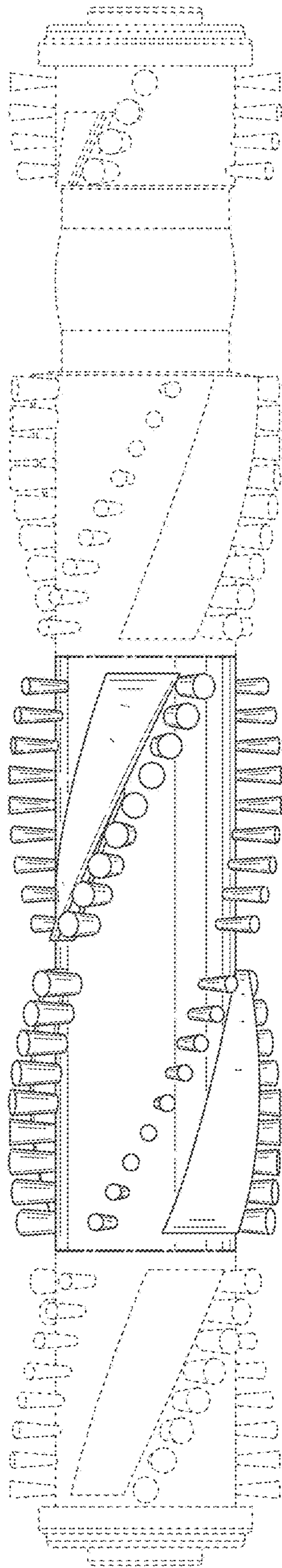


FIG. 1



**FIG. 2**

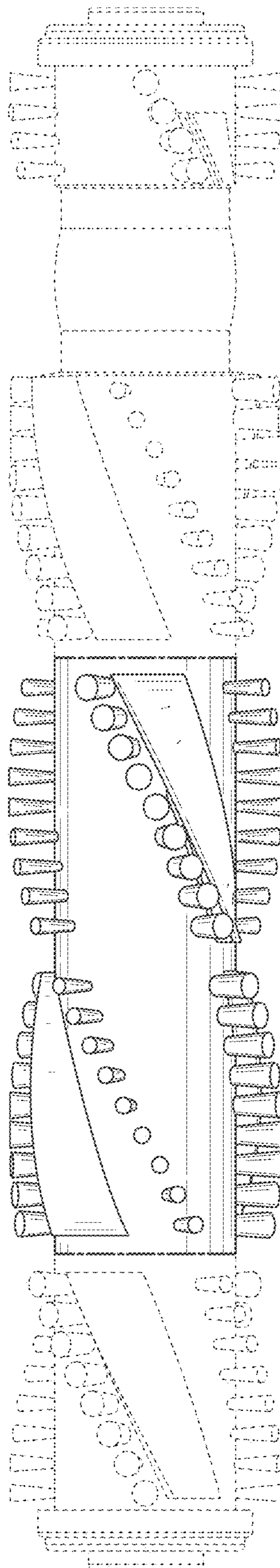


FIG. 3

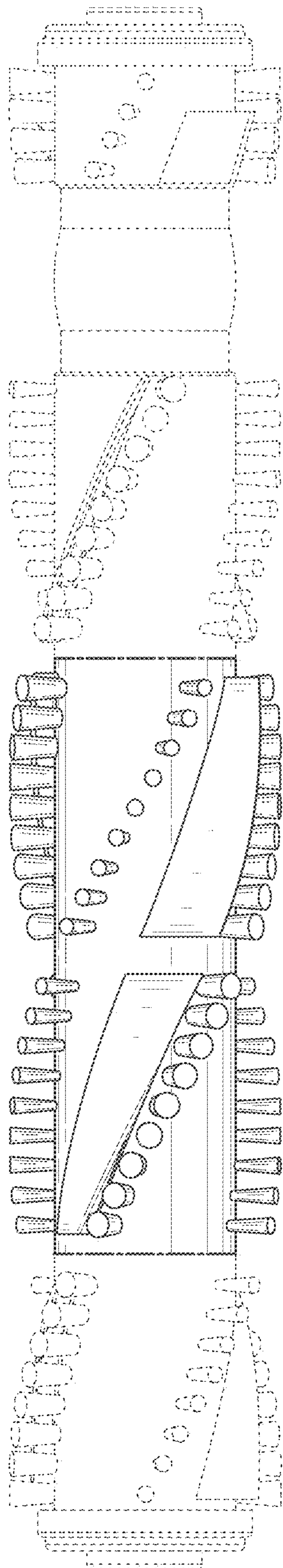


FIG. 4

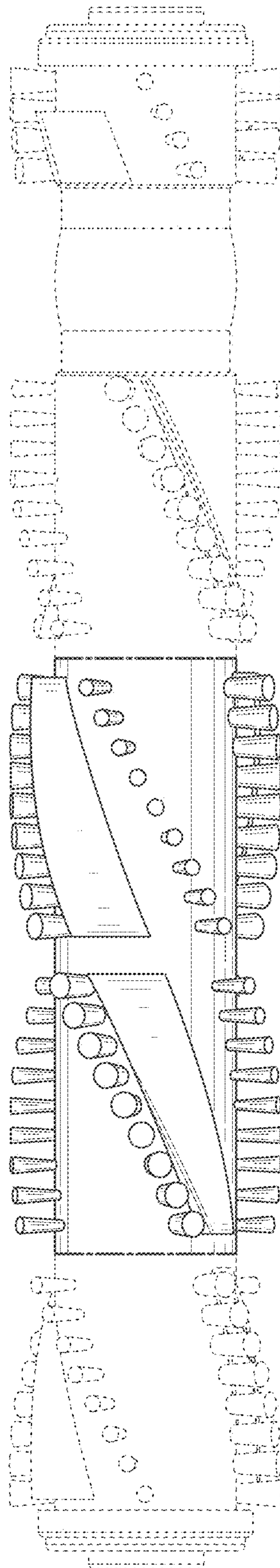
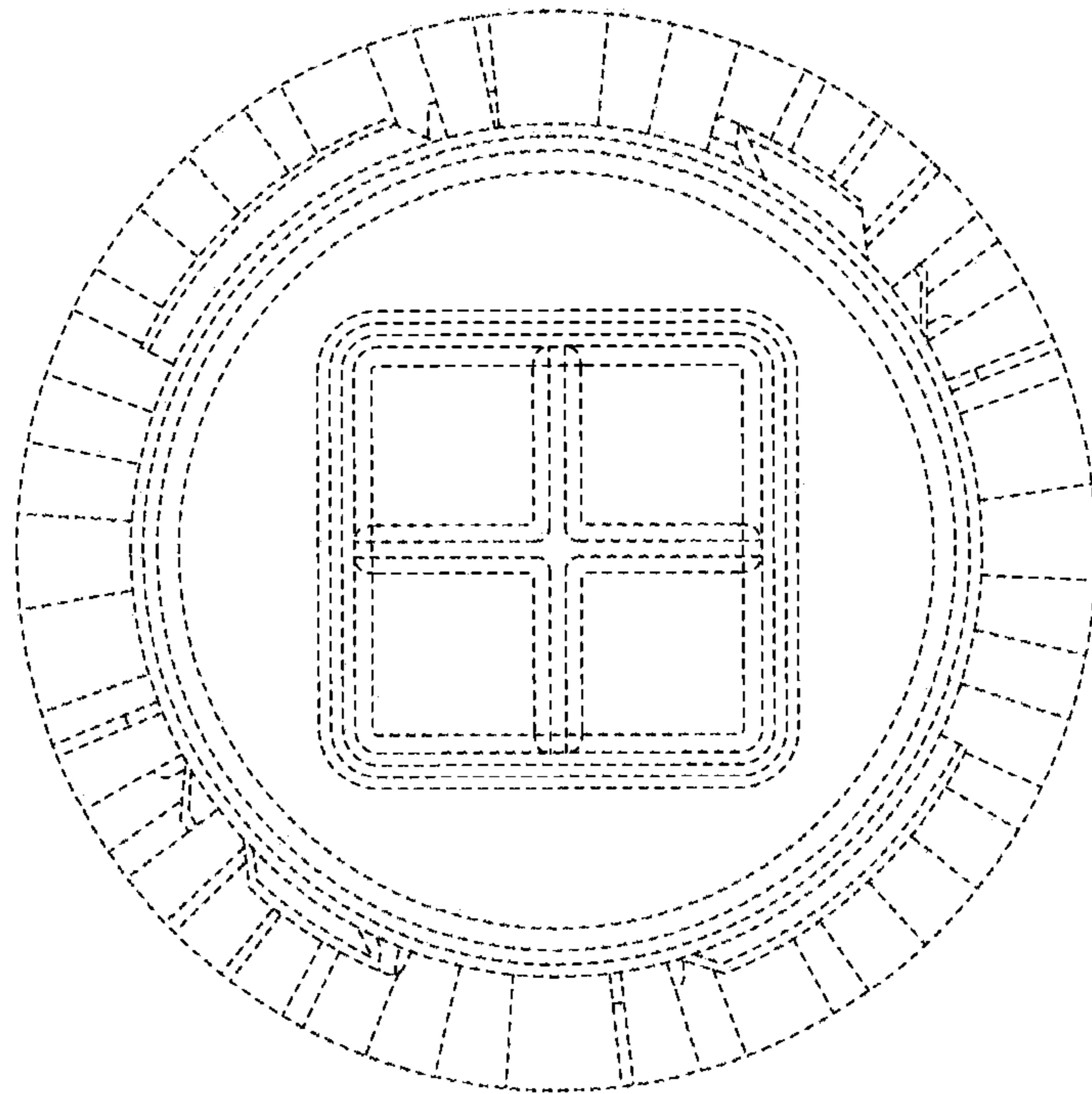
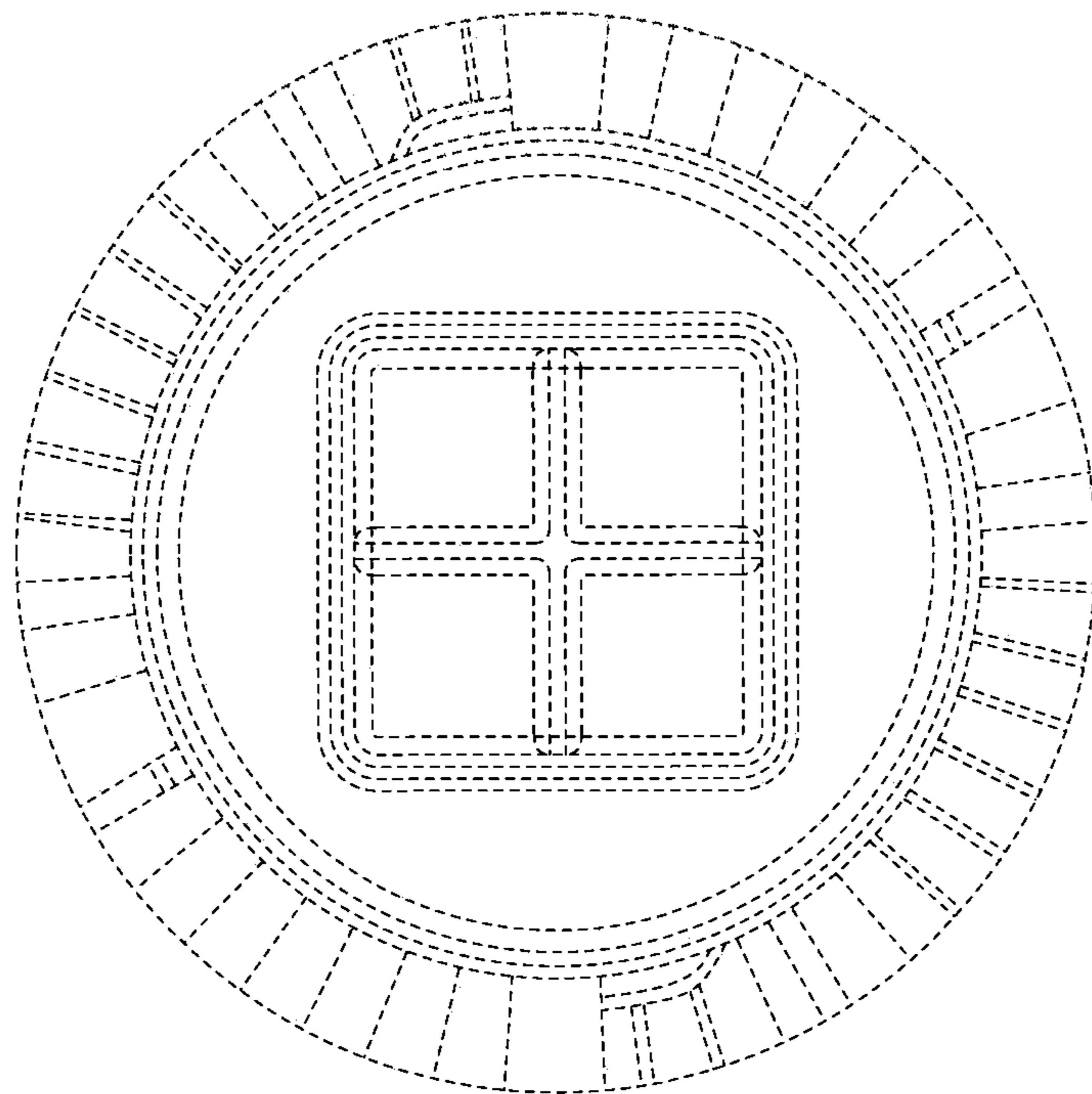


FIG. 5



**FIG. 6**



**FIG. 7**