



US00D878691S

(12) **United States Design Patent**  
**Knight**

(10) **Patent No.:** **US D878,691 S**

(45) **Date of Patent:** **\*\* Mar. 17, 2020**

(54) **VACUUM LID**

(71) Applicant: **Home Depot Product Authority, LLC**,  
Atlanta, GA (US)

(72) Inventor: **Erica Knight**, Brookhaven, GA (US)

(73) Assignee: **Home Depot Product Authority, LLC**,  
Atlanta, GA (US)

(\*\*) Term: **15 Years**

(21) Appl. No.: **29/617,324**

(22) Filed: **Sep. 13, 2017**

(51) **LOC (12) Cl.** ..... **15-05**

(52) **U.S. Cl.**  
USPC ..... **D32/31**

(58) **Field of Classification Search**  
USPC ..... D32/21-23, 31, 34  
CPC . A47L 5/362; A47L 5/365; A47L 5/28; A47L  
5/32; A47L 5/36; A47L 7/0004; A47L  
7/0038; A47L 11/29; A47L 11/30  
See application file for complete search history.

(56) **References Cited**

**U.S. PATENT DOCUMENTS**

D360,718 S *	7/1995	Rakocy	.....	D32/31
D386,842 S	11/1997	Hoshino et al.		
D445,549 S	7/2001	Griffin		
D453,245 S	1/2002	Murphy et al.		
D470,279 S *	2/2003	Griffin	.....	D32/23
D470,280 S *	2/2003	Griffin	.....	D32/23
D470,281 S *	2/2003	Griffin	.....	D32/23
D479,371 S *	9/2003	Griffin	.....	D32/23
D486,280 S *	2/2004	Holsten	.....	D32/23
D496,764 S	9/2004	Lopano		
D507,386 S *	7/2005	Griffin	.....	D32/21
D527,504 S *	8/2006	Griffin	.....	D32/21
D537,579 S	2/2007	Zimmerle		
D537,581 S	2/2007	Zimmerle et al.		
D537,992 S	3/2007	Hoshino		

D549,904 S	8/2007	Eccardt et al.		
D571,513 S	6/2008	Griffin et al.		
D595,910 S	7/2009	Hollis et al.		
D596,359 S	7/2009	Hollis et al.		
D617,514 S *	6/2010	Hollis	.....	D32/31
D619,770 S	7/2010	Moore, Jr.		
D638,181 S *	5/2011	Crevling, Jr.	.....	D32/31
D647,260 S	10/2011	Hollis et al.		
D647,261 S	10/2011	Schultz et al.		
D657,101 S *	4/2012	Williams	.....	D32/23
D666,369 S *	8/2012	Williams	.....	D32/23
D670,048 S *	10/2012	Theising	.....	D32/23

(Continued)

**OTHER PUBLICATIONS**

[https://www.ridgid.com/us/en/12-gallon-high-performance-wet-dry-vac, 12 Gallon Web/Dry Vac, WD1270](https://www.ridgid.com/us/en/12-gallon-high-performance-wet-dry-vac,12-Gallon-Web/Dry-Vac,WD1270), Sep. 8, 2017, 3 pgs.

(Continued)

*Primary Examiner* — Ruth McInroy

(74) *Attorney, Agent, or Firm* — Greenberg Traurig, LLP

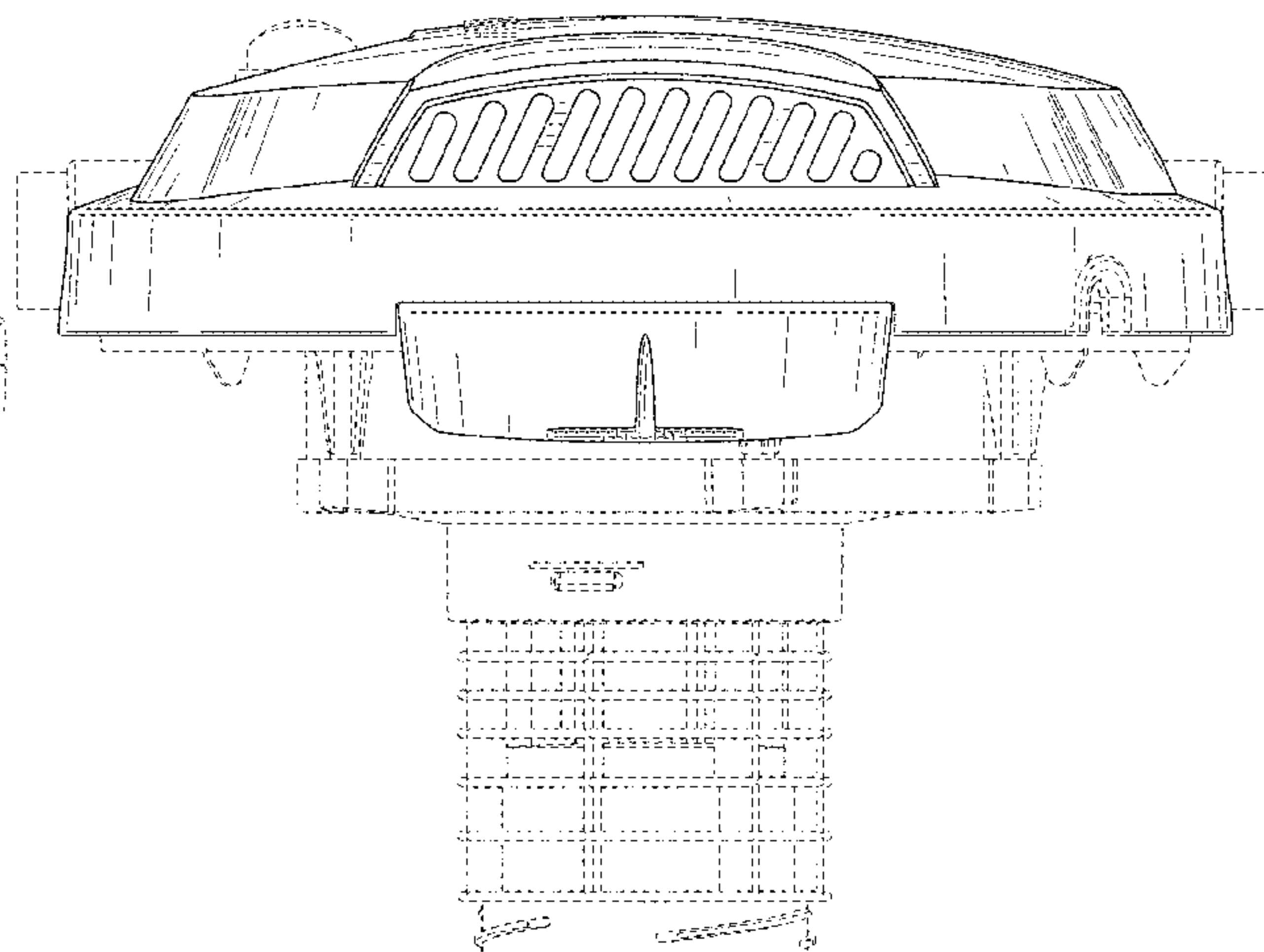
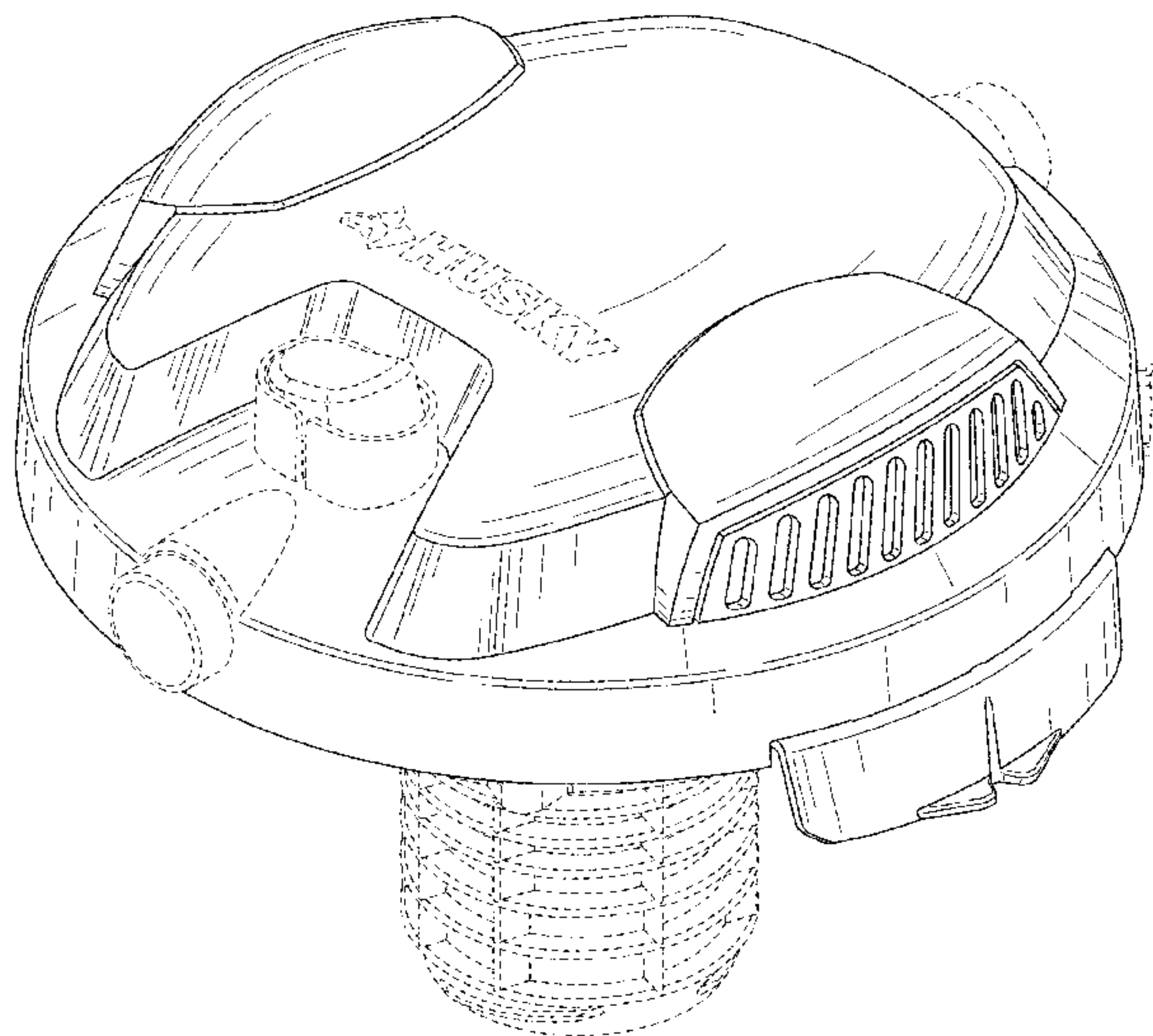
(57) **CLAIM**

I claim the ornamental design for a vacuum lid, as shown and described.

**DESCRIPTION**

FIG. 1 is a front perspective view of my vacuum lid.  
FIG. 2 is a front view thereof;  
FIG. 3 is a rear view thereof;  
FIG. 4 is a left side view thereof;  
FIG. 5 is a right side view thereof;  
FIG. 6 is a top view thereof;  
FIG. 7 is a bottom view thereof;  
FIG. 8 is a rear perspective view thereof; and,  
FIG. 9 is another perspective view of my vacuum lid, showing additional environmental structure.  
The details shown in broken lines form no part of the claimed design.

**1 Claim, 9 Drawing Sheets**





(56)

**References Cited**

## U.S. PATENT DOCUMENTS

D672,929 S	*	12/2012	Gottschall	.....	D32/31
D675,389 S	*	1/2013	Seasholtz	.....	D32/31
D683,091 S	*	5/2013	Griffin	.....	D32/23
D740,504 S	*	10/2015	Williams	.....	D32/31
D743,655 S	*	11/2015	Holsten	.....	D32/31
9,282,861 B2		3/2016	Schultz et al.		
D788,392 S		5/2017	Gidwell et al.		
9,668,625 B2		6/2017	Wolford et al.		
D806,336 S		12/2017	Bond et al.		

## OTHER PUBLICATIONS

<https://www.craftsman.com/products/craftsman-ultra-quiet-4-gallon-5-peak-hp-portable-hou...>, Craftsman Ultra-Quiet 4 Gallon 5 Peak HP Portable Household Wet-Dry Vac, Sep. 7, 2017, 5 pgs.

<http://www.stanleytools.com/en-us-products/hand-tools/other-tools/wet-dry-vacuums/3-gall...>, 3 Gallon 3 Horsepower Portable Vacuum, SL18123P, Sep. 8, 2017, 3 pgs.

<https://www.ridgid.com/us/en/4-gallon-portable-wet-dry-vac>, 4 Gallon Portable Wet/Dry Vac, WD4070, Sep. 8, 2017, 3 pgs.

<https://www.craftsman.com/products/craftsman-xsp-16-gallon-6-5-peak-hp-wet-dry-vac?tax...>, Craftsman XSP 16 Gallon 6.5 Peak HP Wet/Dry Vac, Sep. 7, 2017, 4 pgs.

<https://www.craftsman.com/products/craftsman-xsp-12-gallon-5-5-peak-hp-wet-dry-vac?tax...>, Craftsman XSP 12 Gallon 5.5 Peak HP Wet/Dry Vac, Sep. 7, 2017, 5 pgs.

<https://www.craftsman.com/products/craftsman-xsp-20-gallon-6-5-peak-hp-wet-dry-vac?tax...>, Craftsman XSP 20 Gallon 6.5 Peak HP Wet/Dry Vac, Sep. 7, 2017, 4 pgs.

<https://www.craftsman.com/products/craftsman-16-gallon-6-5-peak-hp-detachable-blower-...>, Craftsman 16 Gallon 6.5 Peak HP Detachable Blower Wet/Dry Vac, Sep. 7, 2017, 4 pgs.

[https://www.craftsman.com/products/craftsman-6-gallon-3-peak-hp-wet-dry-vac?taxon\\_id=...](https://www.craftsman.com/products/craftsman-6-gallon-3-peak-hp-wet-dry-vac?taxon_id=...), Craftsman 6 Gallon 3 Peak HP Wet/Dry Vac, Sep. 7, 2017, 4 pgs.

[https://www.craftsman.com/products/craftsman-9-gallon-4-peak-hp-wet-dry-vac?taxon\\_id=...](https://www.craftsman.com/products/craftsman-9-gallon-4-peak-hp-wet-dry-vac?taxon_id=...), Craftsman 9 Gallon 4 Peak HP Wet/Dry Vac, Sep. 7, 2017, 4 pgs.

<http://www.stanleytools.com/en-us-products/hand-tools/other-tools/wet-dry-vacuums/25-gal...>, 2.5 Gallon 4 Horsepower Vacuum, SL18128P, Sep. 8, 2017, 3 pgs.

<http://www.stanleytools.com/en-us-products/hand-tools/other-tools/wet-dry-vacuums/3-gall...>, 3 Gallon 4 Horsepower Portable Stainless Steel Vacuum, SL18136, Sep. 8, 2017, 3 pgs.

<http://www.stanleytools.com/en-us-products/hand-tools/other-tools/wet-dry-vacuums/4-gall...>, 4 Gallon 4 Horsepower Vacuum, SL18129, Sep. 8, 2017, 3 pgs.

<http://www.stanleytools.com/en-us-products/hand-tools/other-tools/wet-dry-vacuums/5-gall...>, 5 Gallon 4 Peak Horsepower Portable Stainless Steel Wet/Dry Vacuum, SL18130, Sep. 8, 2017, 3 pgs.

<http://www.stanleytools.com/en-us-products/hand-tools/other-tools/wet-dry-vacuums/5-gall...>, 5 Gallon 4 Peak Horsepower Pro Wet/Dry Vacuum, SL18115P, Sep. 8, 2017, 3 pgs.

<http://www.stanleytools.com/en-us-products/hand-tools/other-tools/wet-dry-vacuums/5-gall...>, 5 Gallon 4 Peak Horsepower Pro Stainless Steel Wet/Dry Vacuum, SL18115, Sep. 8, 2017, 3 pgs.

<http://www.stanleytools.com/en-us-products/hand-tools/other-tools/wet-dry-vacuums/6-gall...>, 6 Gallon 4 Horsepower Pro Vacuum, SL18116P, Sep. 8, 2017, 3 pgs.

<http://www.stanleytools.com/en-us-products/hand-tools/other-tools/wet-dry-vacuums/8-gall...>, 8 Gallon 4 Peak Horsepower Stainless Steel Wet/Dry Vacuum, SL18117, Sep. 8, 2017, 3 pgs.

<http://www.stanleytools.com/en-us-products/hand-tools/other-tools/wet-dry-vacuums/12-gall...>, 12 Gallon 5.5 Peak Horsepower Pro Wet/Dry Vacuum, SL18199P, Sep. 8, 2017, 3 pgs.

<https://www.ridgid.com/us/en/6-gallon-stainless-steel-wet-dry-vac>, 6 Gallon Stainless Steel Wet/Dry Vac, WD6425, Sep. 8, 2017, 3 pgs.

<https://www.ridgid.com/us/en/6-gallon-wet-dry-vac>, 6 Gallon Wet/Dry Vac, WD0670, Sep. 8, 2017, 3 pgs.

<https://www.ridgid.com/us/en/9-gallon-wet-dry-vac>, 9 Gallon Wet/Dry Vac, WD0970, Sep. 8, 2017, 3 pgs.

<https://www.ridgid.com/us/en/10-gallon-stainless-steel-wet-dry-vac>, 10 Gallon Stainless Steel Wet/Dry Vac, WD1060, Sep. 8, 2017, 3 pgs.

<https://www.ridgid.com/us/en/14-gallon-high-performance-wet-dry-vac>, 14 Gallon Wet/Dry Vac, WD1450, Sep. 8, 2017, 3 pgs.

<https://www.craftsman.com/products/craftsman-8-gallon-4-peak-hp-stainless-steel-wet-dry-...>, Craftsman 8 Gallon 4 Peak HP Stainless Steel Wet/Dry Vac, Sep. 7, 2017, 5 pgs.

<https://www.craftsman.com/products/craftsman-8-gallon-stainless-steel-4-peak-hp-wet-dry-...>, Craftsman 8 Gallon Stainless Steel 4 Peak HP Wet/Dry Vac, Sep. 7, 2017, 5 pgs.

[https://www.craftsman.com/products/craftsman-20-gal-wet-dry-vacuum?taxon\\_id=2267](https://www.craftsman.com/products/craftsman-20-gal-wet-dry-vacuum?taxon_id=2267), Craftsman 20 gal. Wet/Dry Vacuum, Sep. 7, 2017, 3 pgs.

<http://www.stanleytools.com/en-us-products/hand-tools/other-tools/wet-dry-vacuums/8g-6h...>, 8 G 6HP Industrial Stainless Steel Vacuum, SL18401-8B, Sep. 8, 2017, 3 pgs.

<http://www.stanleytools.com/en-us-products/hand-tools/other-tools/wet-dry-vacuums/8-gall...>, 8 Gallon 6 Peak Horsepower Industrial Stainless Steel Vacuum, SL18401-8A, Sep. 8, 2017, 3 pgs.

<https://www.ridgid.com/us/en/16-gallon-high-performance-vac-with-cart>, 16 Gallon Wet/Dry Vac With Cart, WD1851, Sep. 8, 2017, 3 pgs.

<https://www.ridgid.com/us/en/16-gallon-stainless-steel-wet-dry-vac-with-cart>, 16 Gallon Stainless Steel Wet/Dry Vac With Cart, WD1956, Sep. 8, 2017, 3 pgs.

<https://www.craftsman.com/products/craftsman-portable-wall-mount-2-5-gallon-2-peak-hp-...>, Craftsman Portable Wall Mount 2.5 Gallon 2 Peak HP Wet/Dry Vac, Sep. 7, 2017, 4 pgs.

U.S. Patent and Trademark Office, Non-Final Office Action issued on U.S. Appl. No. 29/617,327, dated Jul. 30, 2019, 7 pgs.

\* cited by examiner

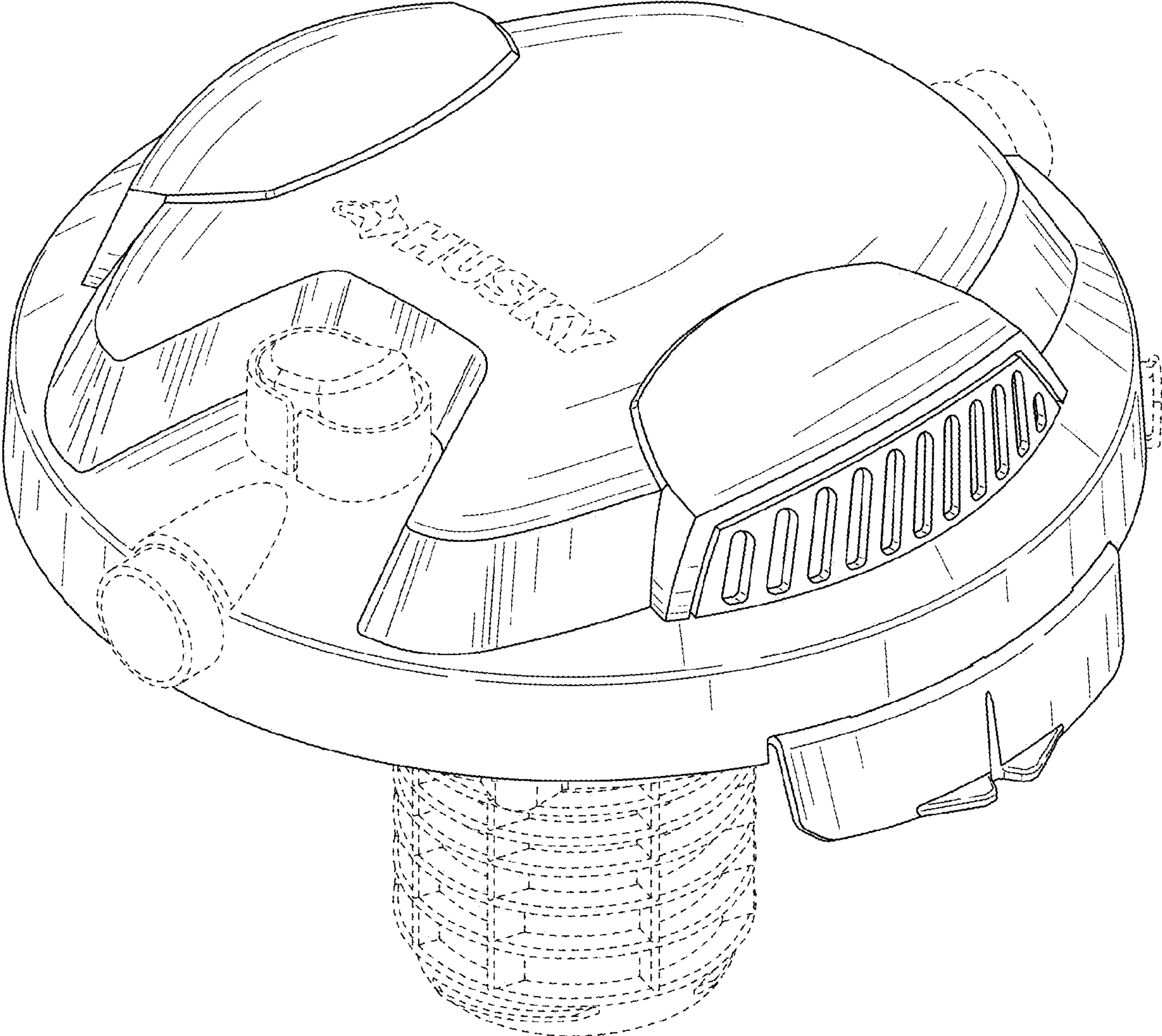


FIG. 1



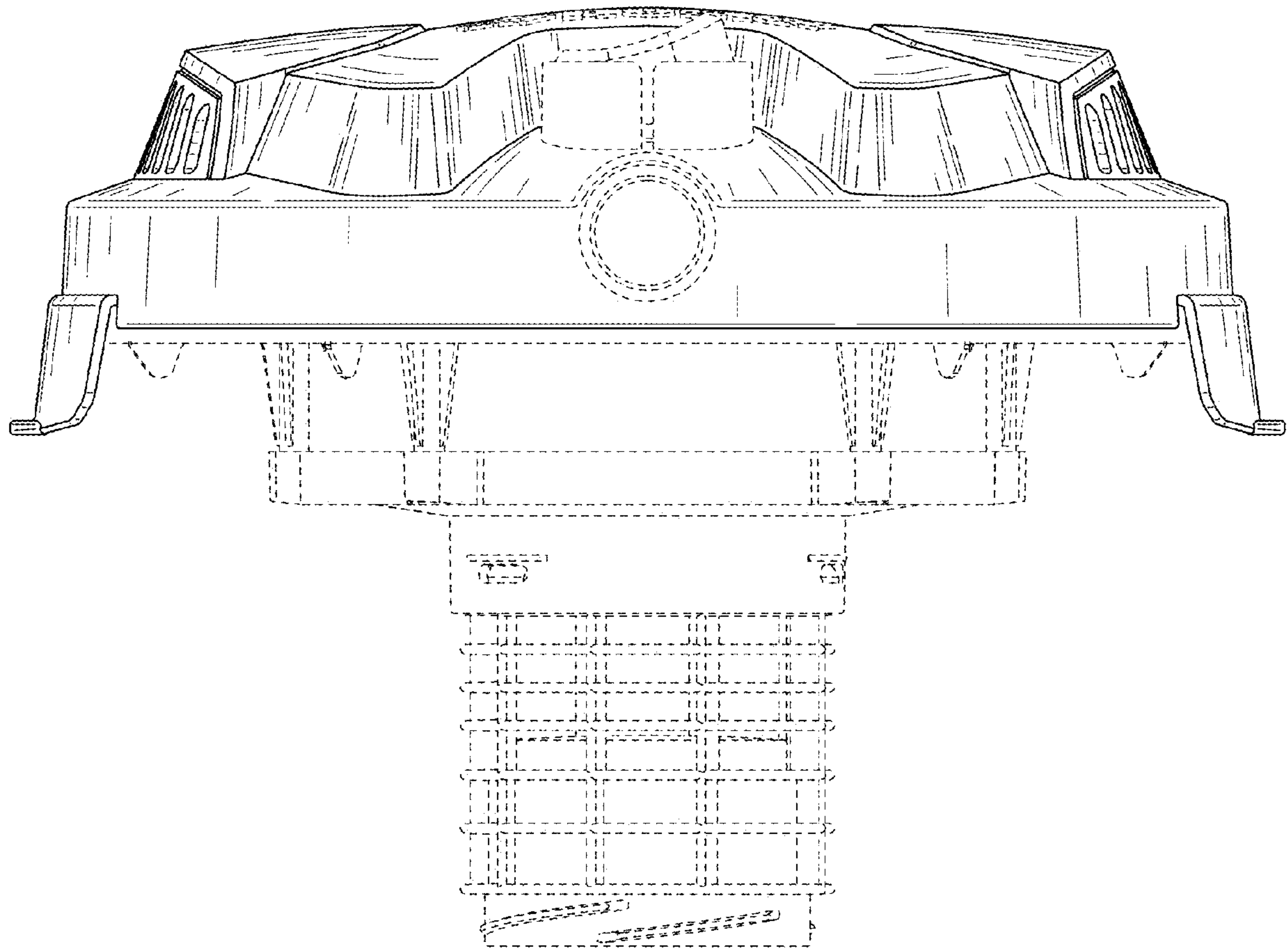


FIG. 2

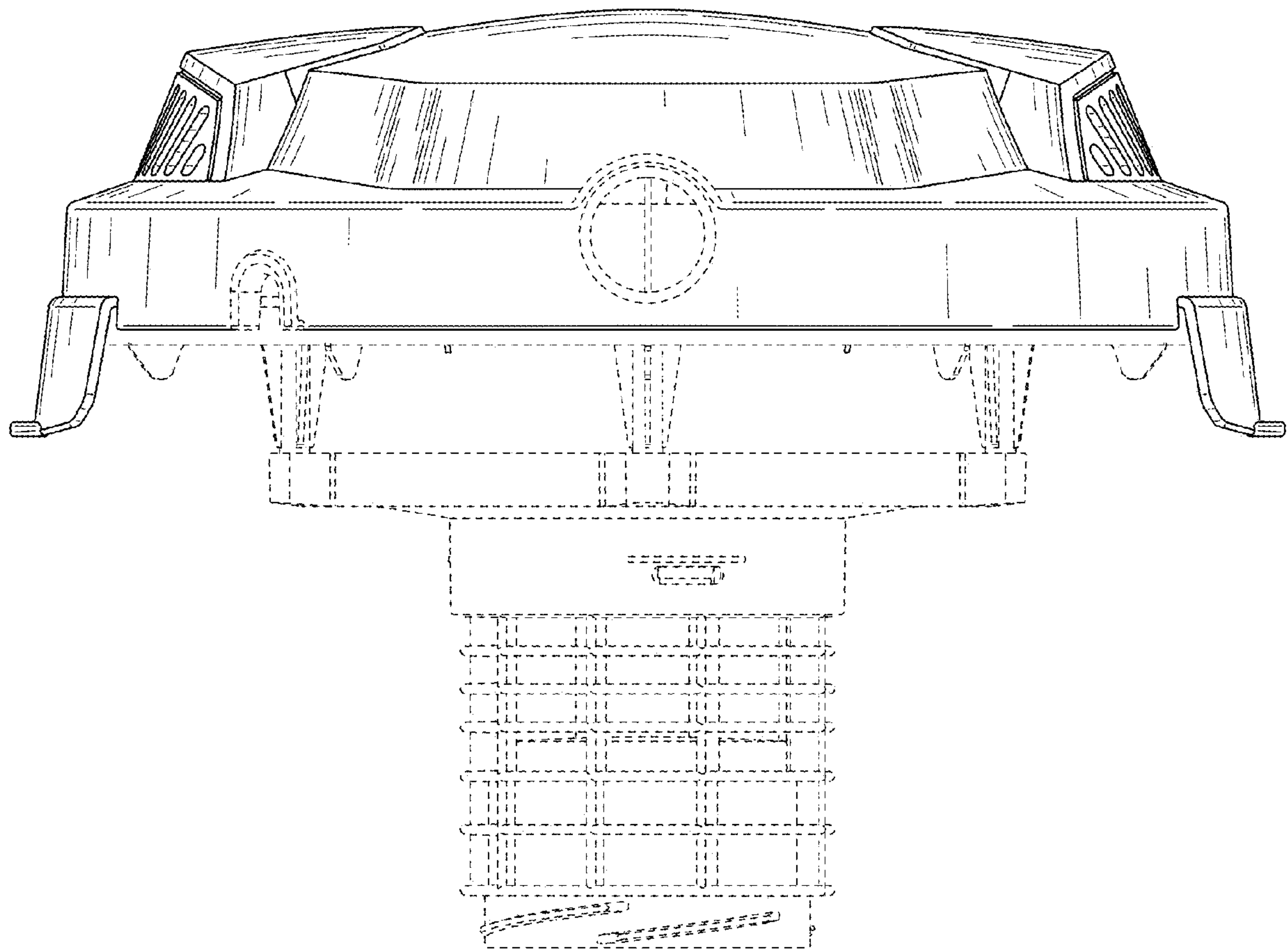


FIG. 3

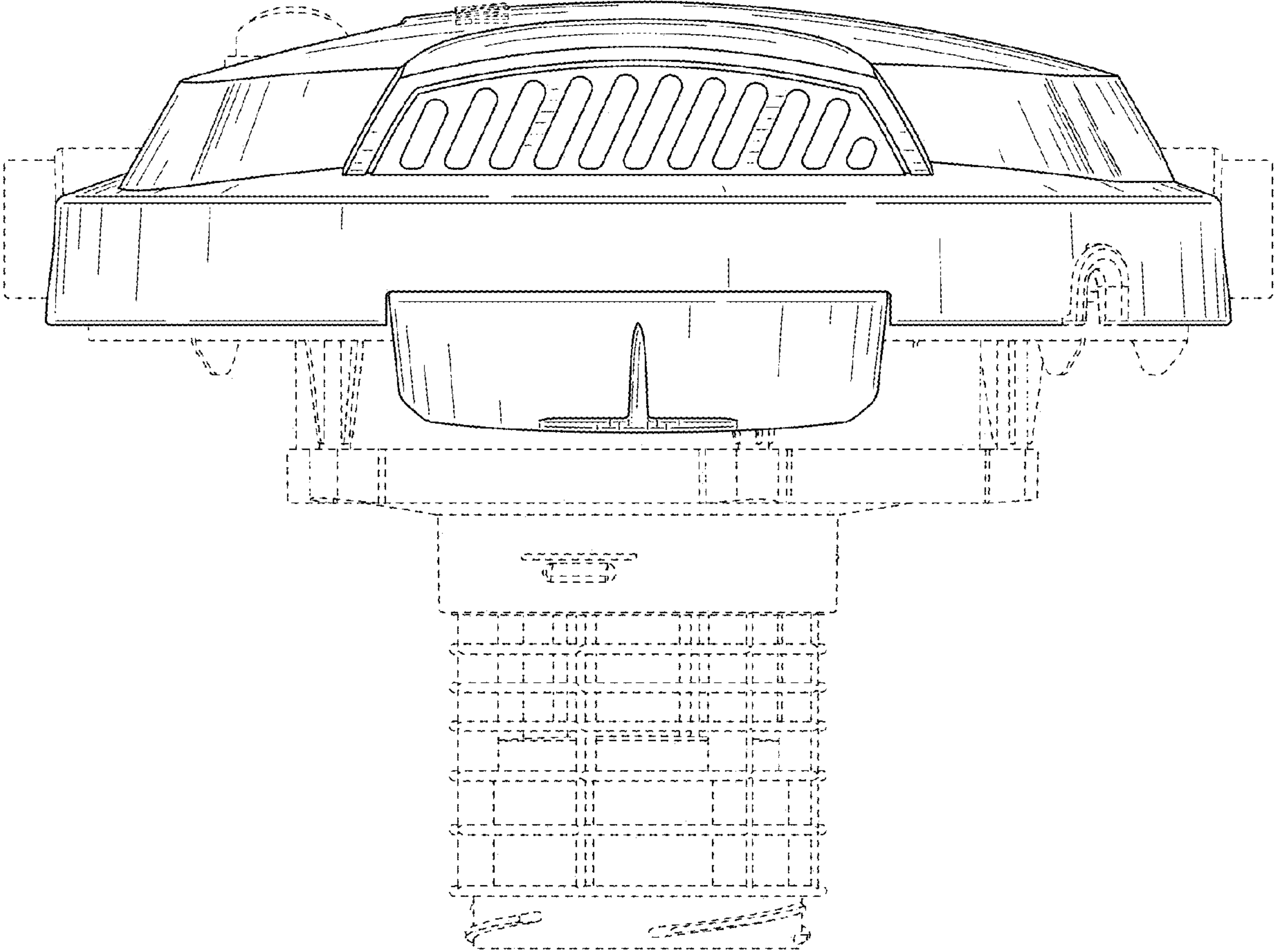


FIG. 4

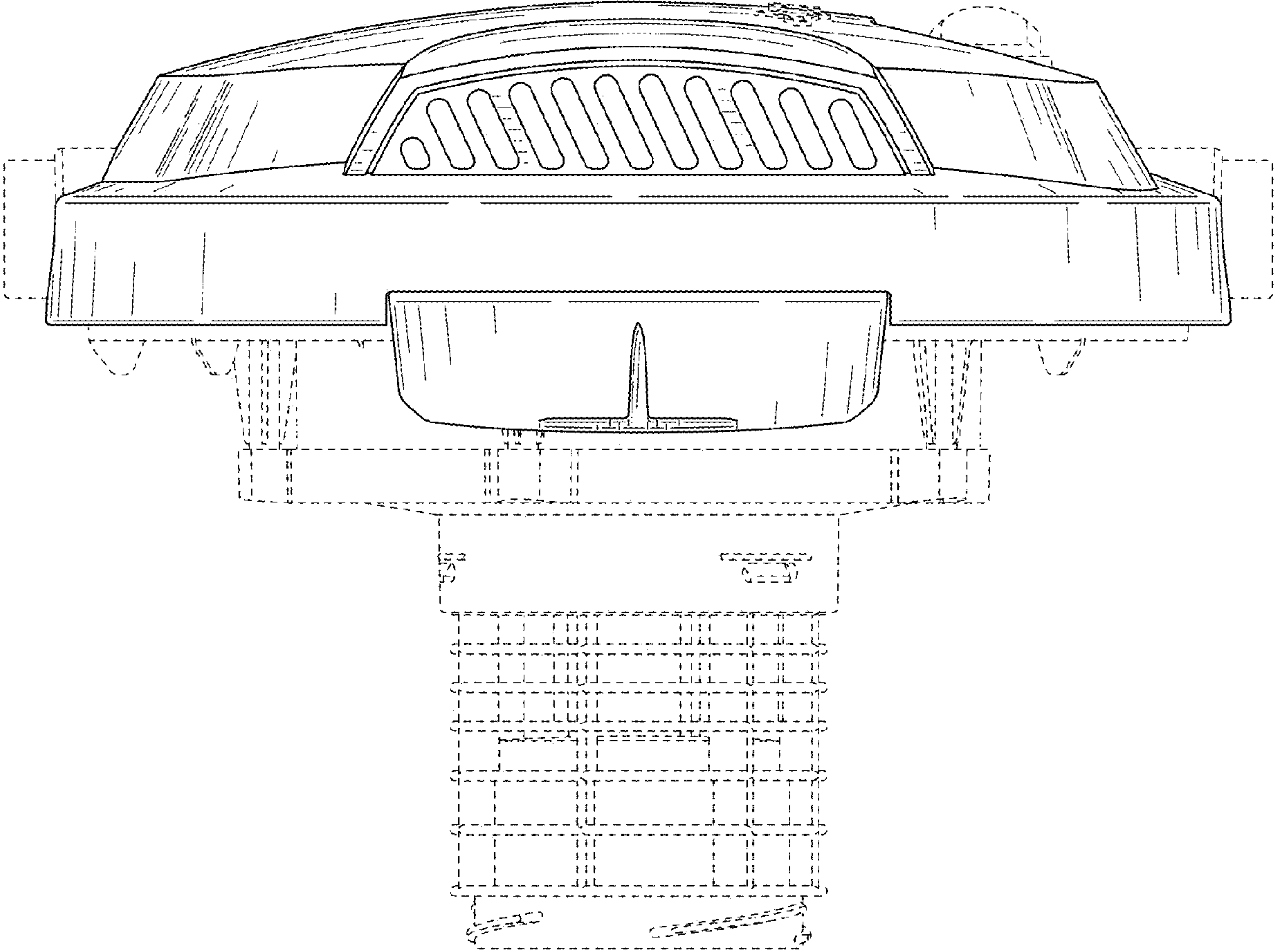


FIG. 5

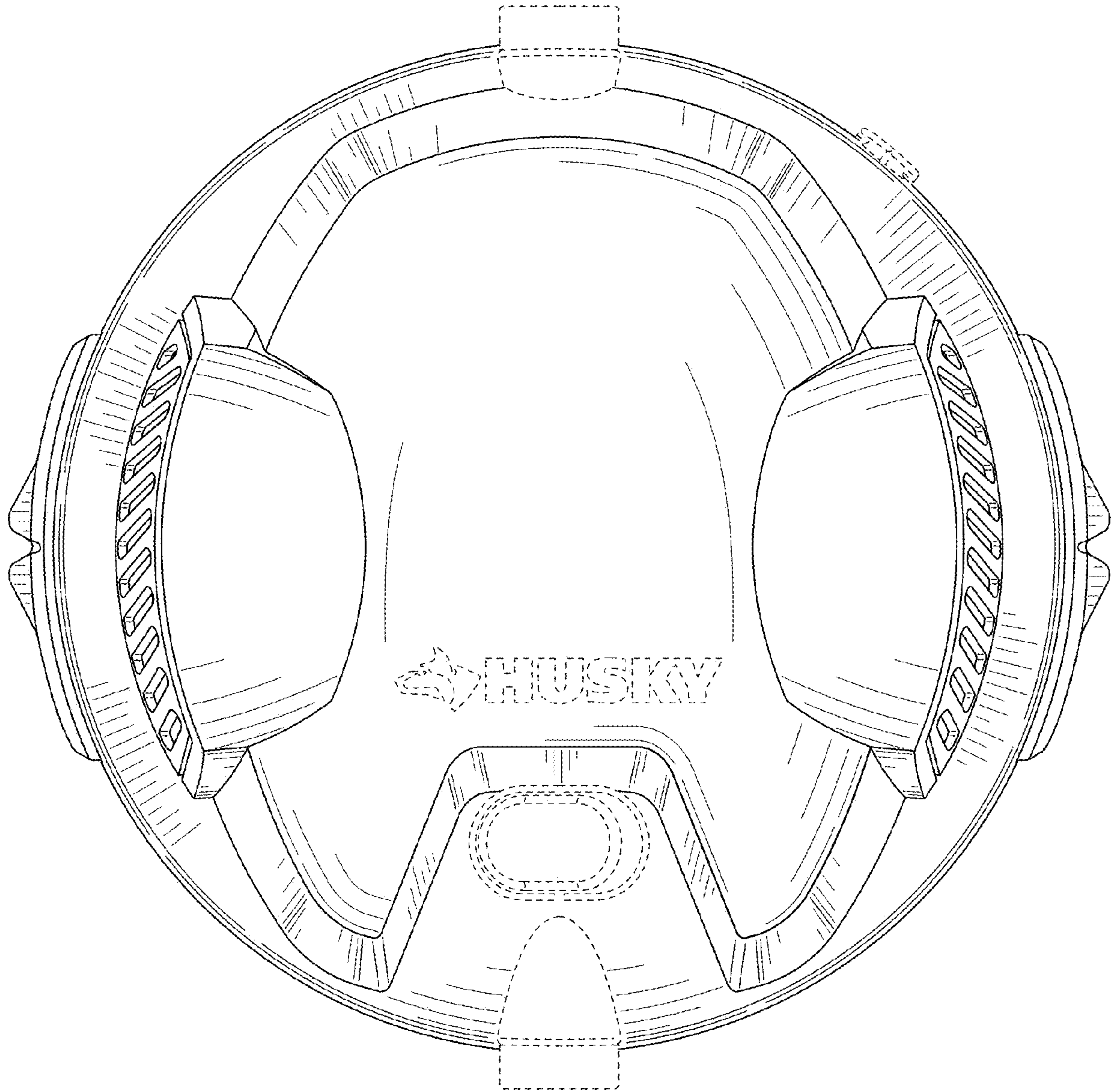


FIG. 6



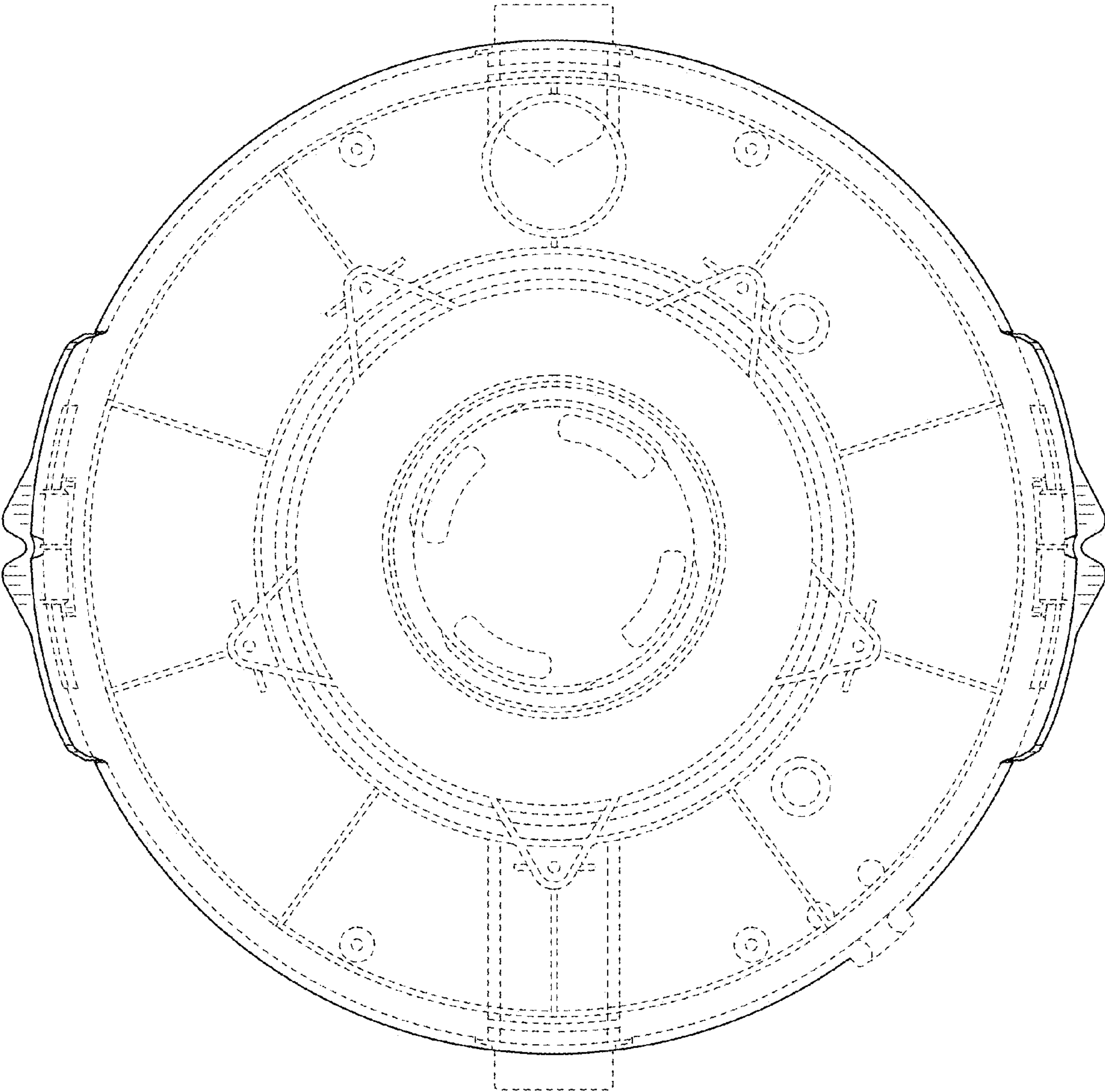


FIG. 7

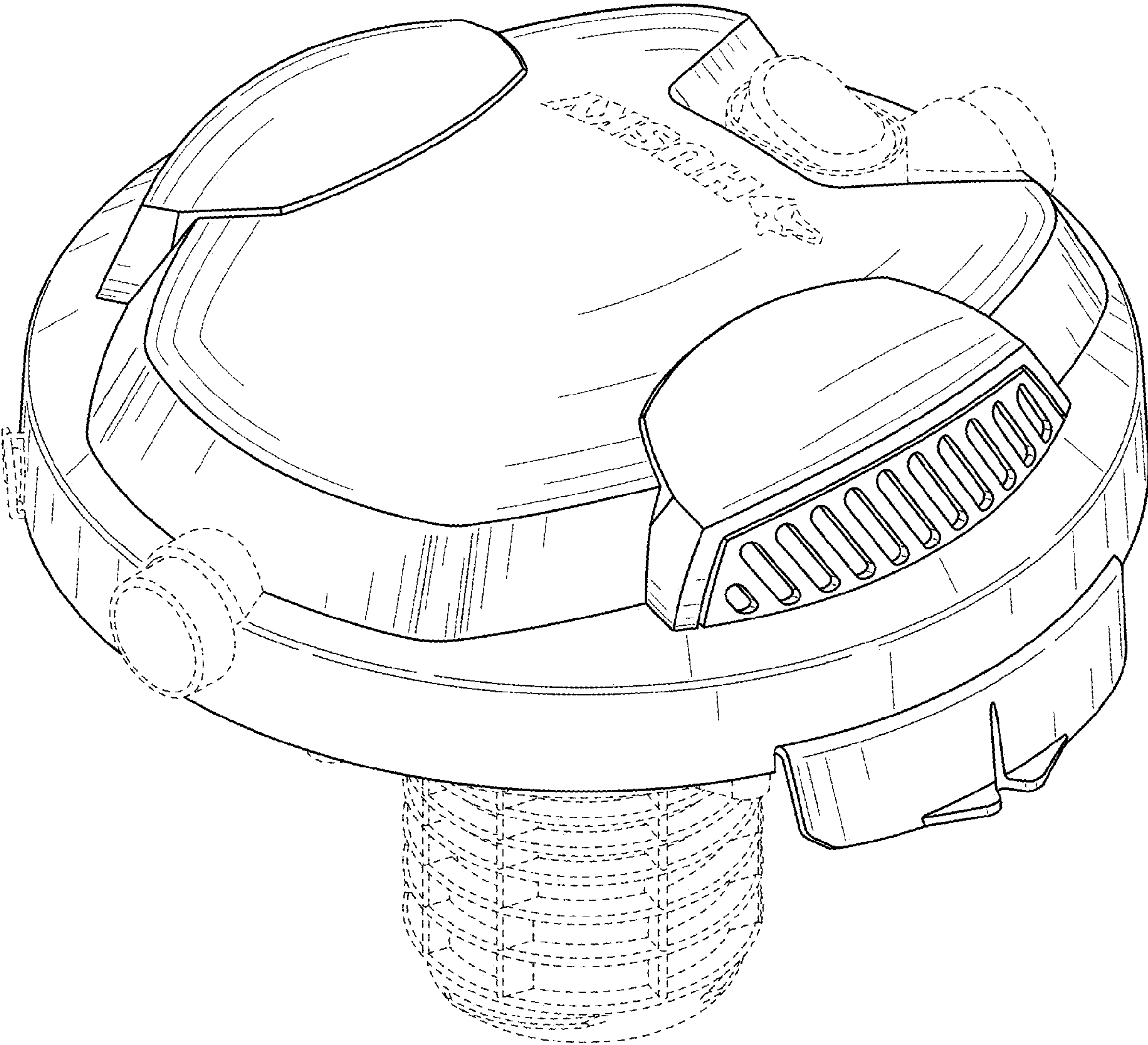


FIG. 8

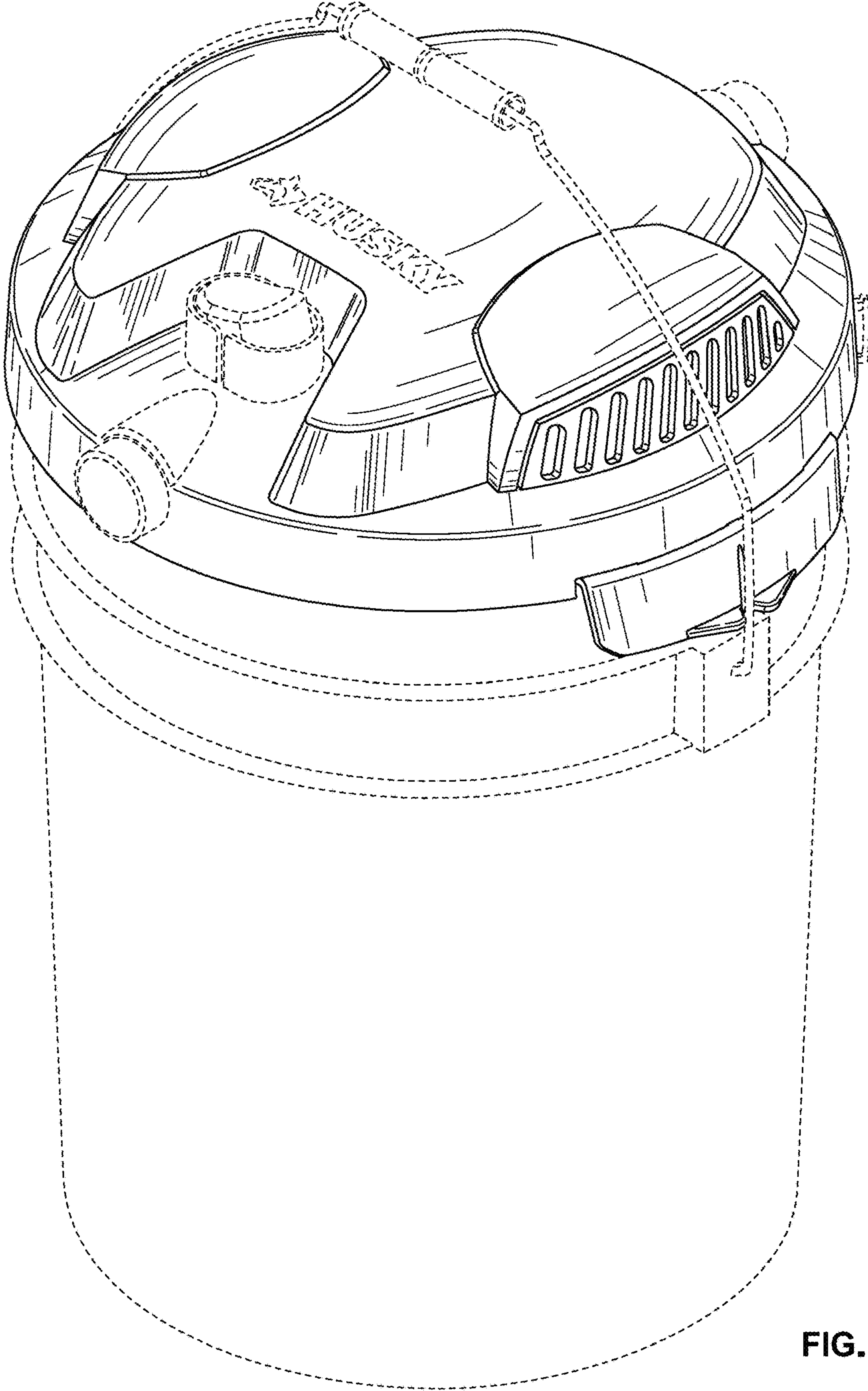


FIG. 9