



US00D878689S

(12) **United States Design Patent**
Choi et al.

(10) **Patent No.:** **US D878,689 S**
(45) **Date of Patent:** **** Mar. 17, 2020**

(54) **WASHING MACHINE**

(57) **CLAIM**

(71) Applicant: **Samsung Electronics Co., Ltd.**,
Suwon-si (KR)

We claim the ornamental design for a washing machine, as shown and described.

(72) Inventors: **Jung-Ah Choi**, Seoul (KR); **Jin-Nam Kim**, Seoul (KR); **Sung-Kyung Lee**, Seoul (KR); **Eui-Ju Lee**, Guri-si (KR)

DESCRIPTION

(73) Assignee: **Samsung Electronics Co., Ltd.**,
Suwon-si (KR)

(**) Term: **15 Years**

(21) Appl. No.: **29/619,132**

(22) Filed: **Sep. 27, 2017**

(30) **Foreign Application Priority Data**

Apr. 25, 2017 (KR) 30-2017-0019084

(51) **LOC (12) Cl.** **15-05**

(52) **U.S. Cl.**
USPC **D32/6; D32/26**

(58) **Field of Classification Search**
USPC D32/29.1, 29, 28, 26, 6, 25, 8, 1, 5, 10
(Continued)

(56) **References Cited**

U.S. PATENT DOCUMENTS

D100,861 S * 8/1936 Hume D32/26
D209,009 S * 10/1967 Smith D32/26
(Continued)

FOREIGN PATENT DOCUMENTS

CN 201430261648 1/2015
KR 30-2003-0010760 1/2004
(Continued)

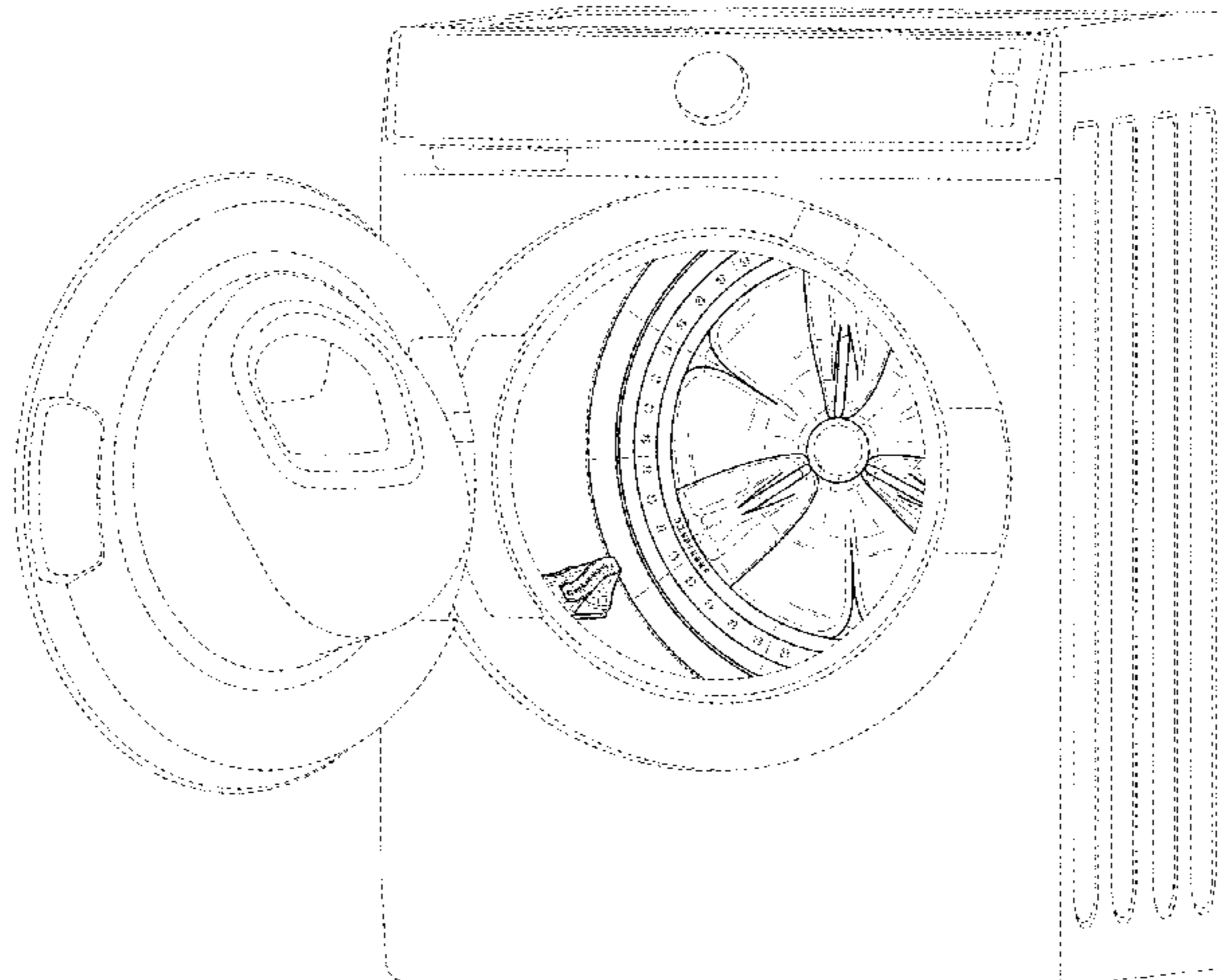
Primary Examiner — Michelle E. Wilson

(74) *Attorney, Agent, or Firm* — NSIP Law

(Continued)

FIG. 1 is a front perspective view of a washing machine showing our new design;
FIG. 2 is a front elevational view thereof;
FIG. 3 is a rear elevational view thereof;
FIG. 4 is a left-side elevational view thereof;
FIG. 5 is a right-side elevational view thereof;
FIG. 6 is a top plan view thereof;
FIG. 7 is a bottom plan view thereof;
FIG. 8 is a front perspective view of the wheel portion of the washing machine shown in FIG. 1;
FIG. 9 is a front elevational view thereof;
FIG. 10 is a rear elevational view thereof;
FIG. 11 is a left-side elevational view thereof;
FIG. 12 is a right-side elevational view thereof;
FIG. 13 is a top plan view thereof;
FIG. 14 is a bottom plan view thereof;
FIG. 15 is a front perspective view of the pulsator portion of the washing machine shown in FIG. 1;
FIG. 16 is a front elevational view thereof;
FIG. 17 is a rear elevational view thereof;
FIG. 18 is a left-side elevational view thereof;
FIG. 19 is a right-side elevational view thereof;
FIG. 20 is a top plan view thereof;
FIG. 21 is a bottom plan view thereof;
FIG. 22 is a front perspective view of the paddle lifter portion of the washing machine shown in FIG. 1;
FIG. 23 is a front elevational view thereof;
FIG. 24 is a rear elevational view thereof;
FIG. 25 is a left-side elevational view thereof;
FIG. 26 is a right-side elevational view thereof;
FIG. 27 is a top plan view thereof; and
FIG. 28 is a bottom plan view thereof.

The evenly spaced broken lines in the figures depict environmental subject matter and form no part of the claimed design.



FIGS. 8 through 28 are provided to further clarify details and features of the design.

1 Claim, 24 Drawing Sheets

(58) Field of Classification Search

CPC D06F 39/045; D06F 29/00; D06F 29/005;
 D06F 25/00; D06F 39/022; D06F 33/02;
 D06F 2204/065; D06F 35/006

See application file for complete search history.

(56) References Cited

U.S. PATENT DOCUMENTS

5,839,300	A *	11/1998	Yoon	D06F 23/04 68/134
6,227,013	B1 *	5/2001	Wyatt-Smith	D06F 13/08 68/134
D447,608	S *	9/2001	Myerscough	D32/6
D485,401	S *	1/2004	Griffith	D32/26
7,506,525	B2 *	3/2009	La Belle	D06F 13/02 68/131

8,028,550	B2 *	10/2011	Duncan	D06F 17/10 68/134
D665,544	S *	8/2012	Jeon	D32/6
D667,179	S *	9/2012	Jeon	D32/6
D679,463	S	4/2013	Zhang et al.	
D730,603	S *	5/2015	Jeon	D32/26
D792,035	S *	7/2017	Chung	D32/6
D794,265	S *	8/2017	Chung	D32/6
D816,282	S *	4/2018	Kendall	D06F 29/00 D32/6
D824,122	S *	7/2018	Yoon	D32/6
D827,226	S *	8/2018	Chung	D32/6
D828,966	S *	9/2018	Chung	D32/6
D829,397	S *	9/2018	Ha	D32/26
D830,650	S *	10/2018	Kim	D32/6
D832,534	S *	10/2018	Ha	D32/6
D836,264	S *	12/2018	Chung	D32/6
D841,905	S *	2/2019	Kim	D32/6
D852,442	S *	6/2019	Choi	D32/26
2003/0200774	A1 *	10/2003	Kim	D06F 17/06 68/133

FOREIGN PATENT DOCUMENTS

KR	30-2011-0002471	4/2012
KR	30-2015-0067251	4/2016

* cited by examiner

FIG. 1

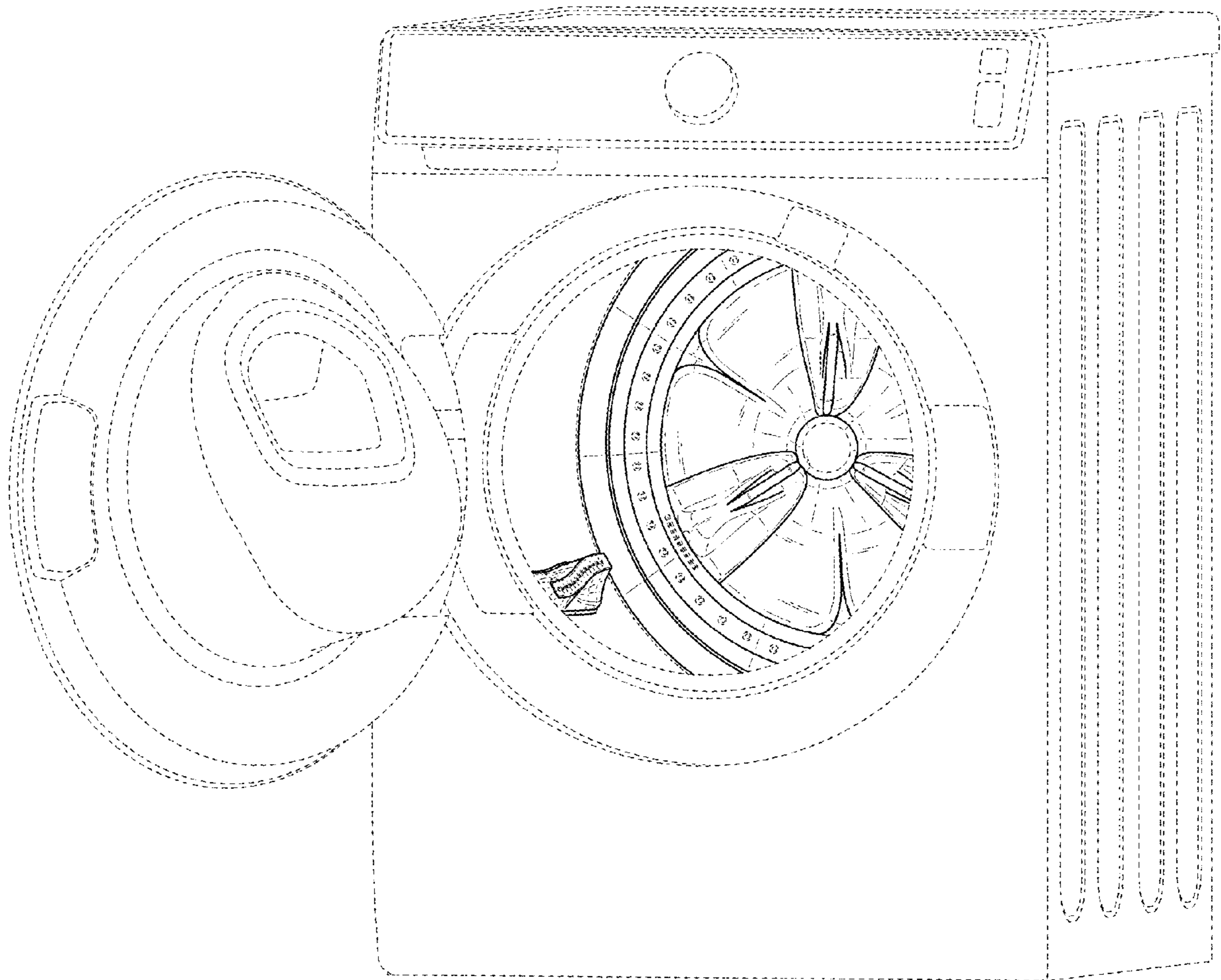


FIG. 2

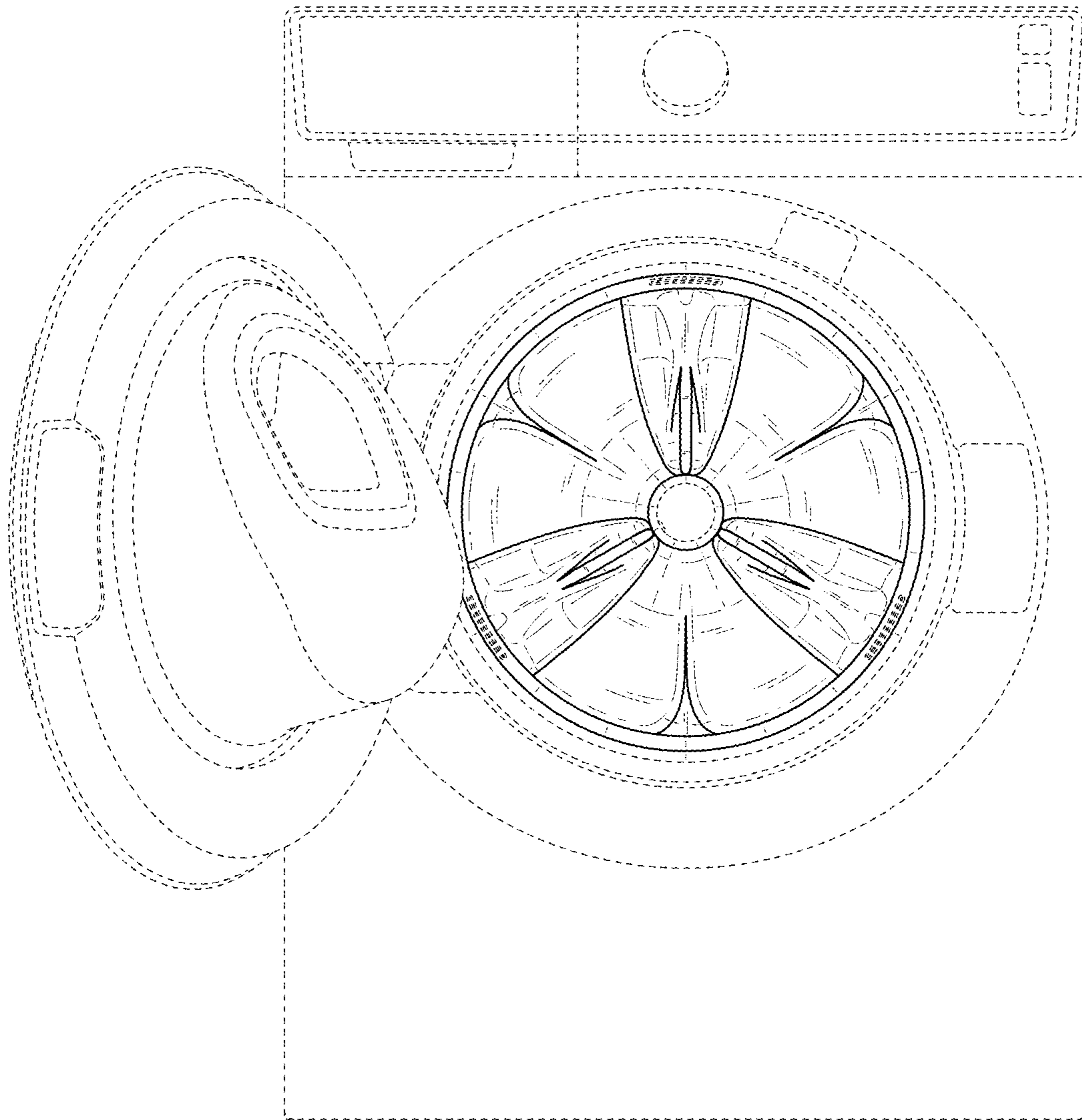


FIG. 3

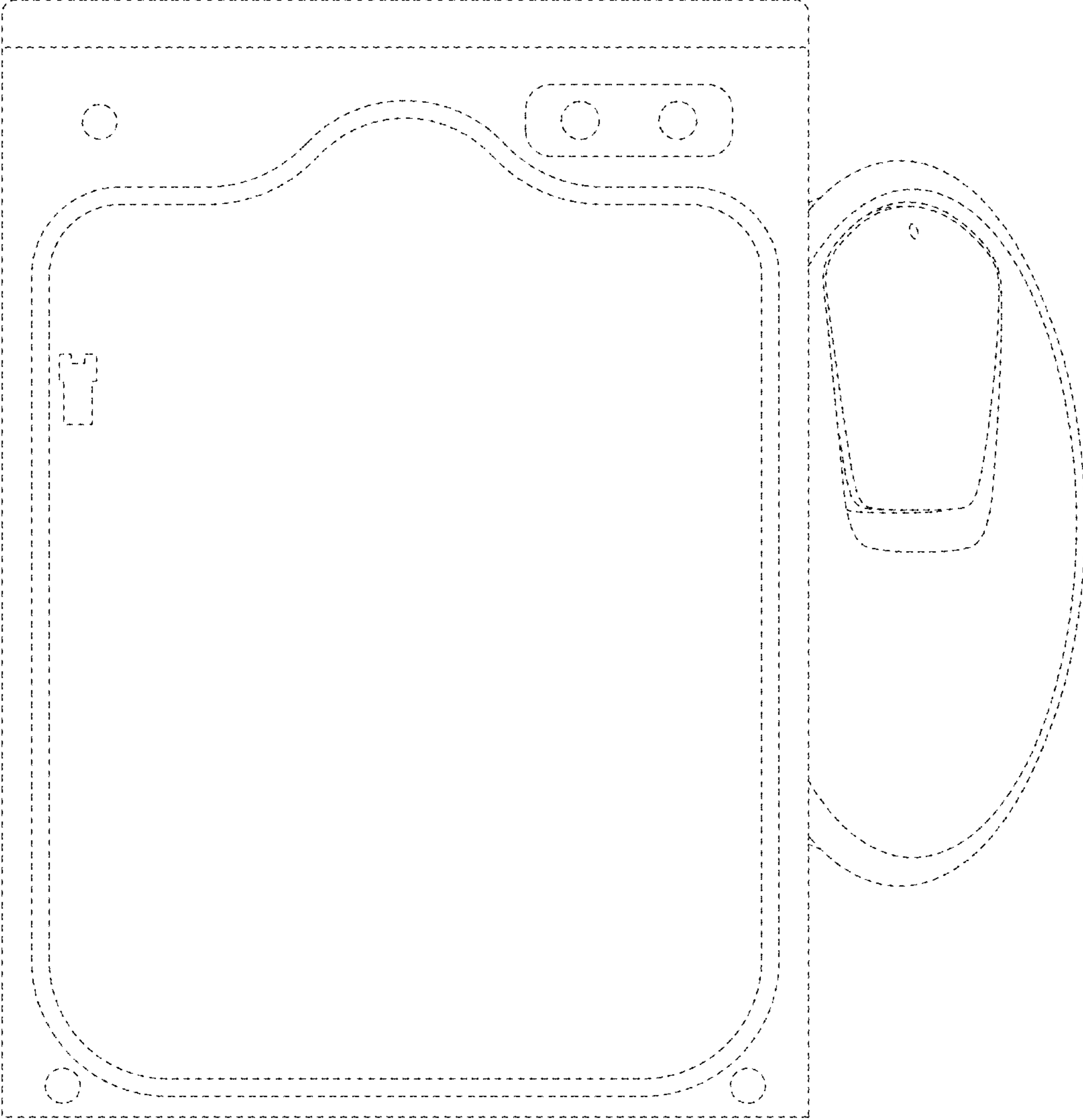


FIG. 4

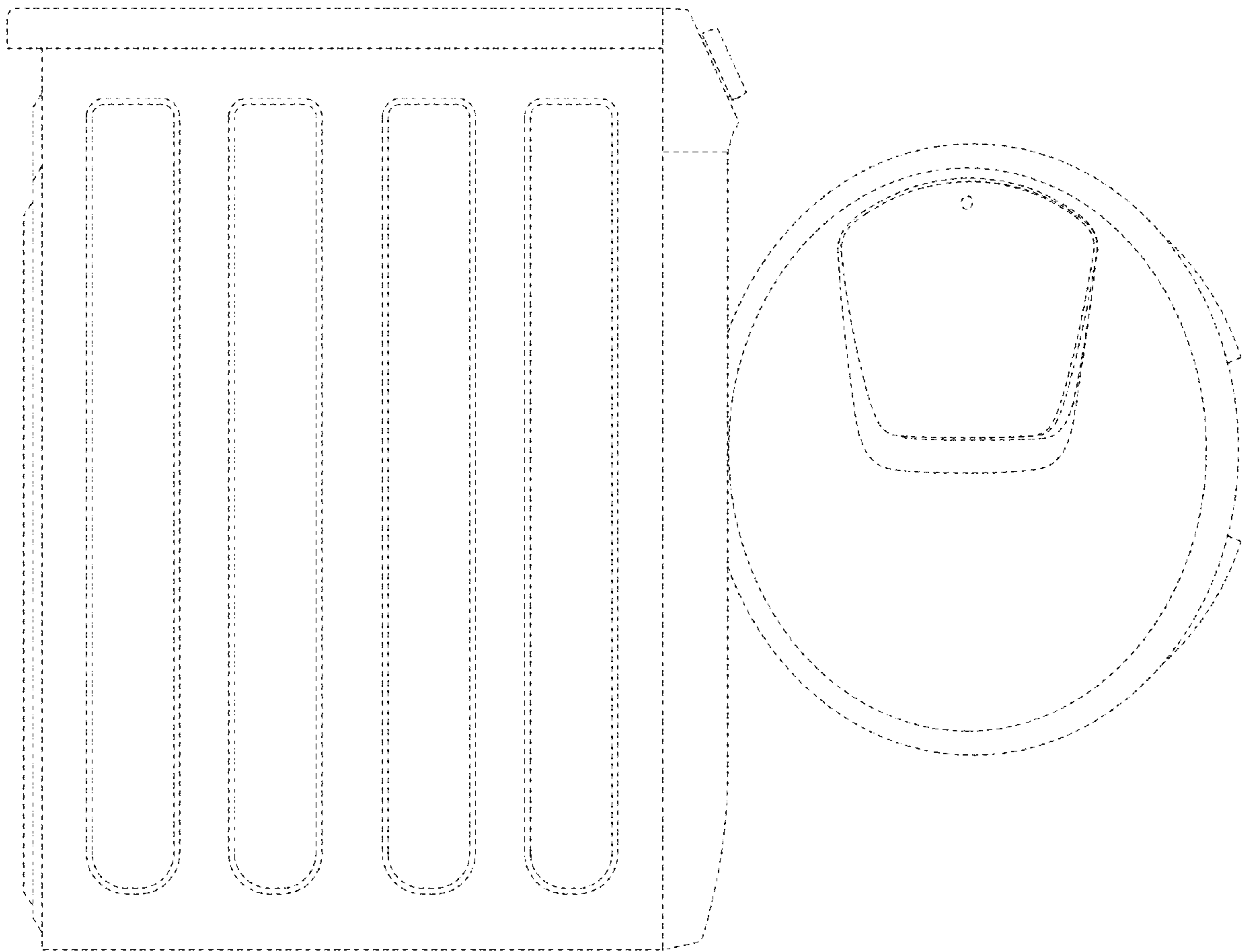


FIG. 5

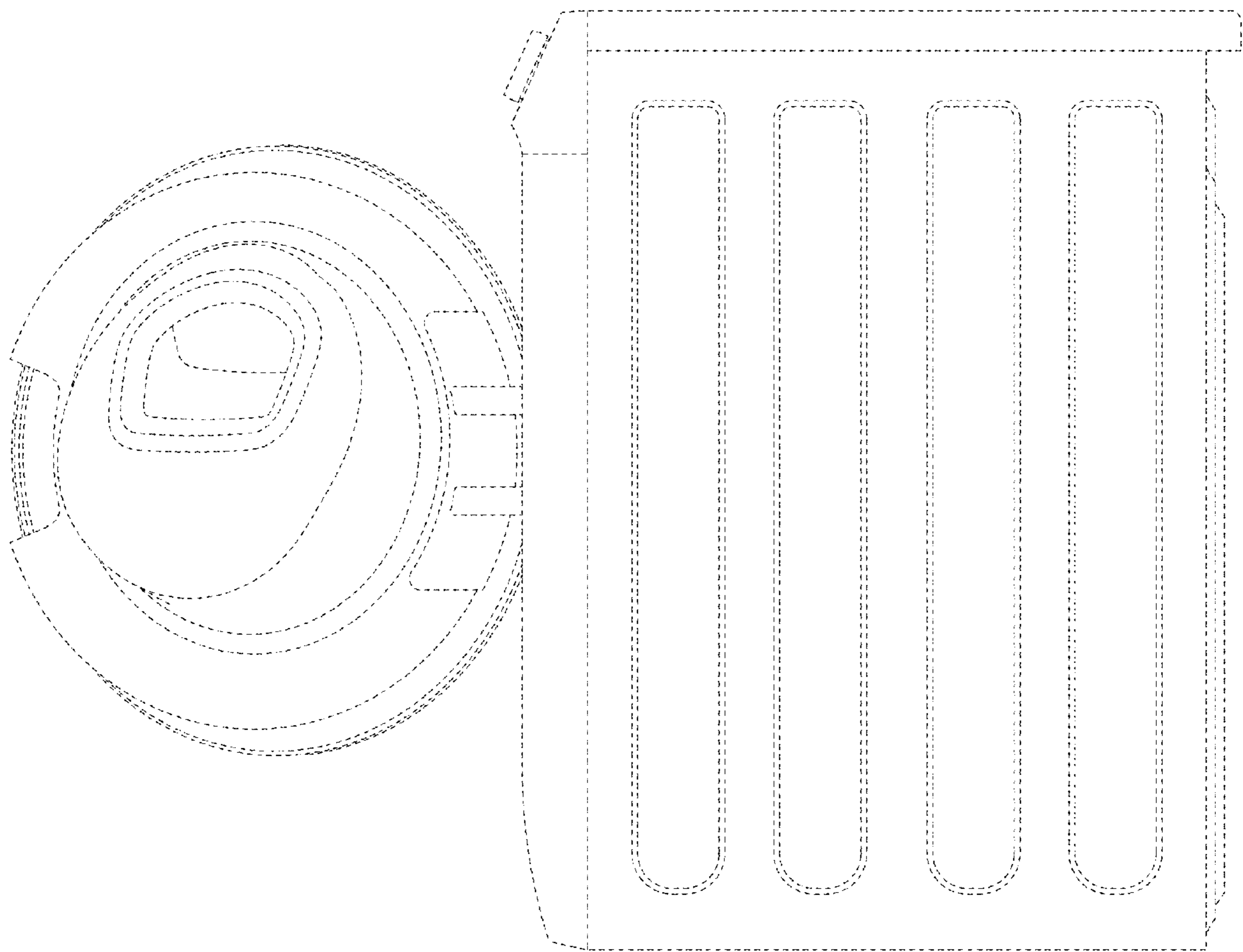


FIG. 6

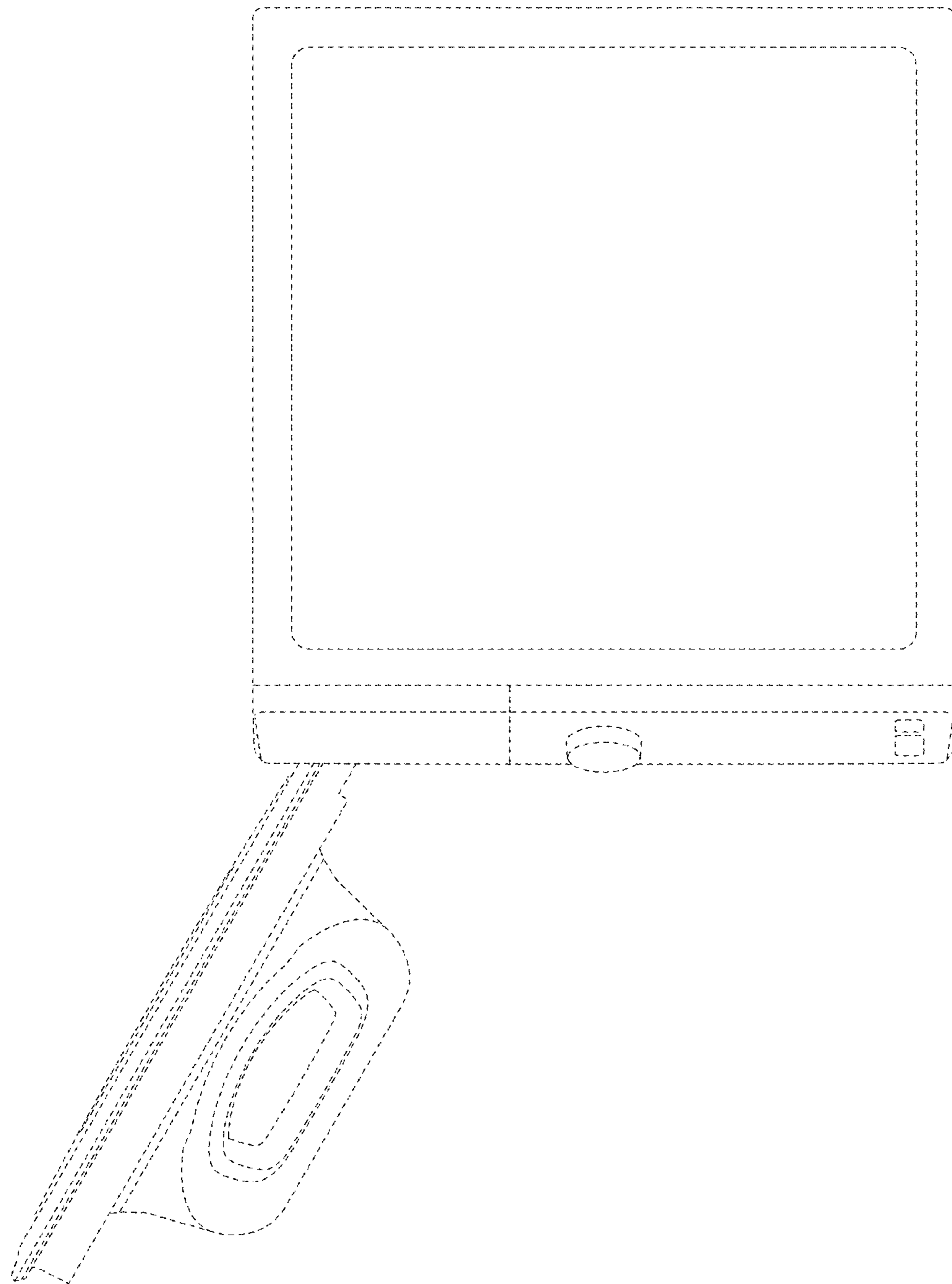


FIG. 7

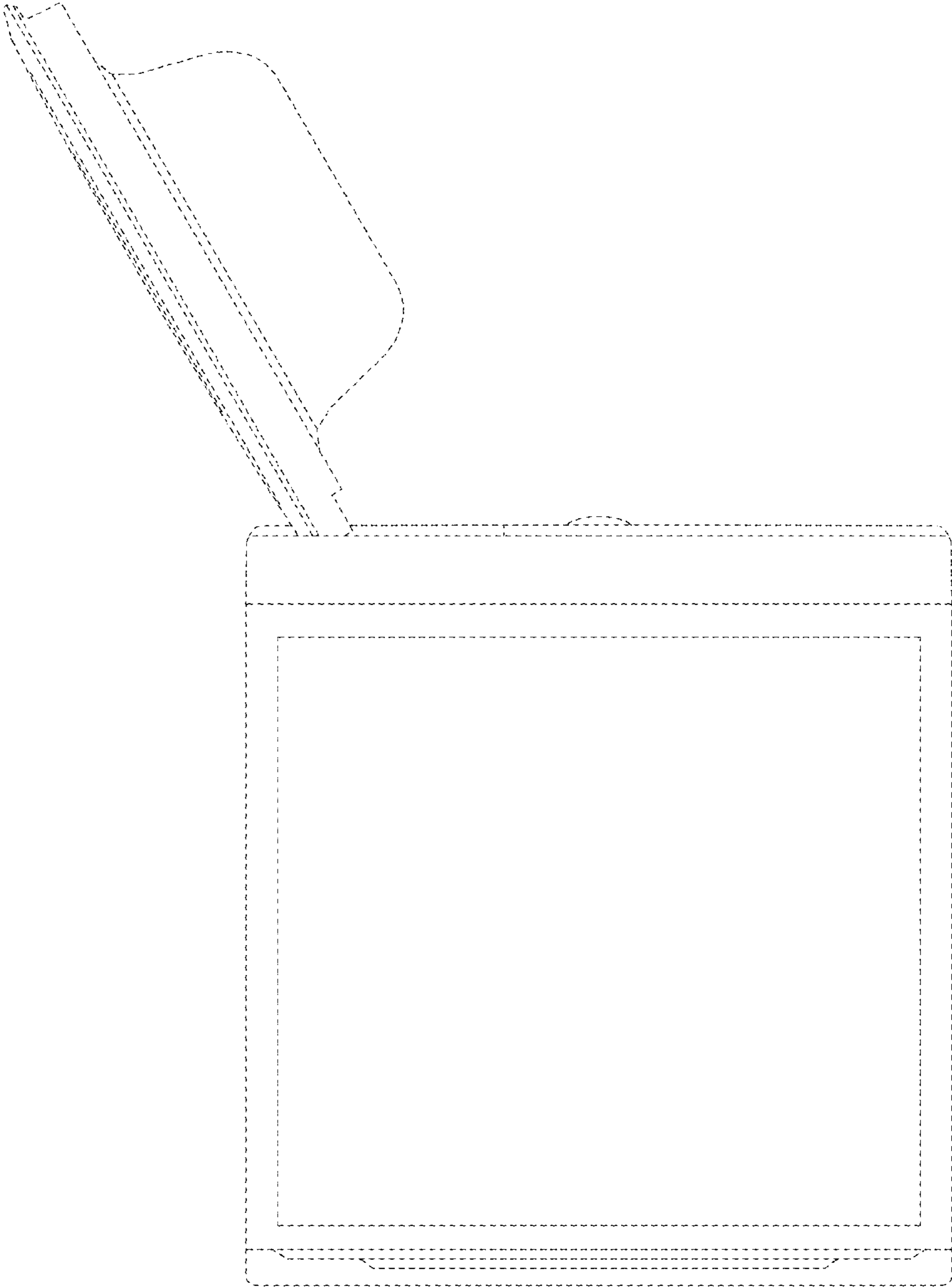


FIG. 8

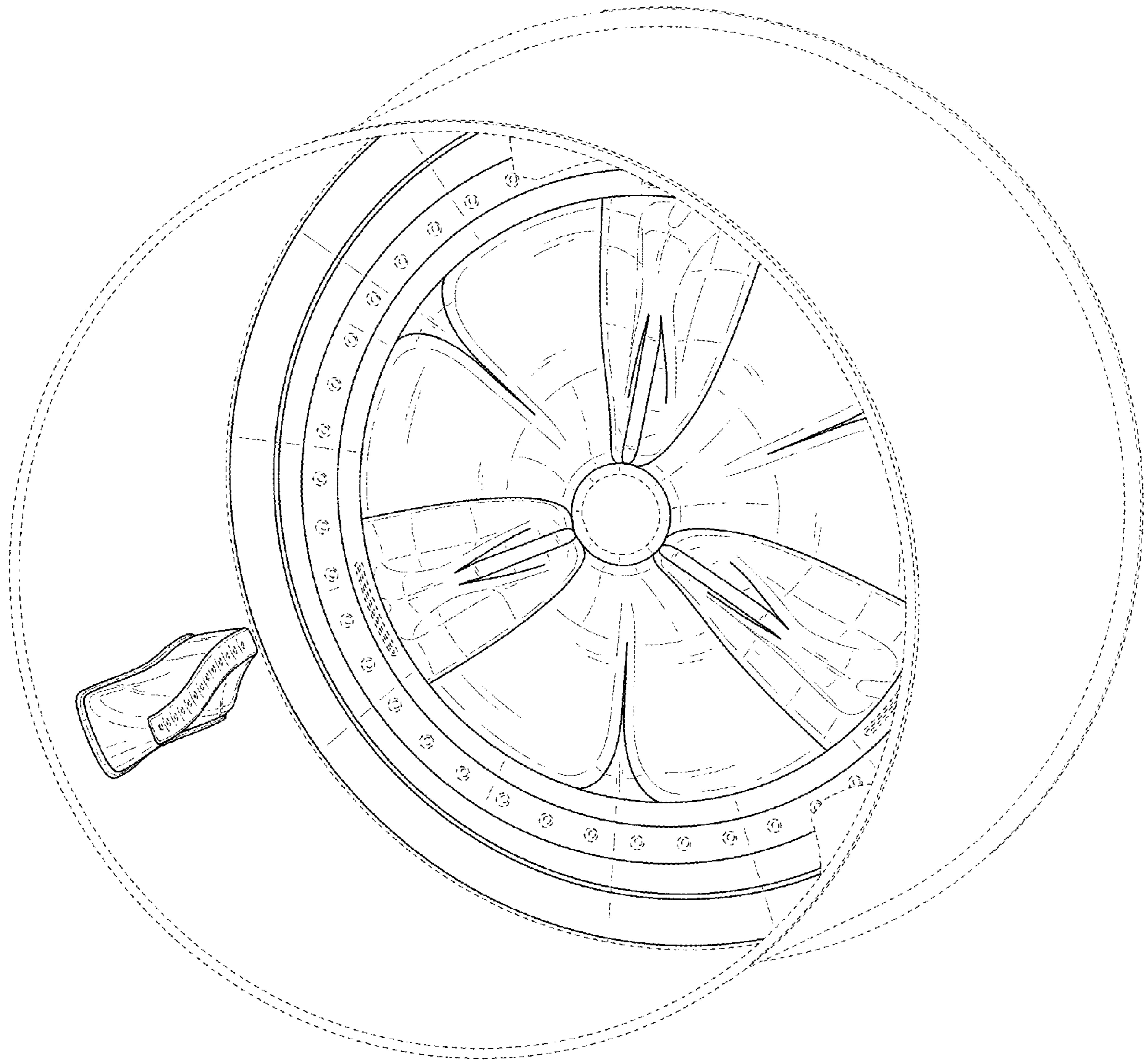


FIG. 9

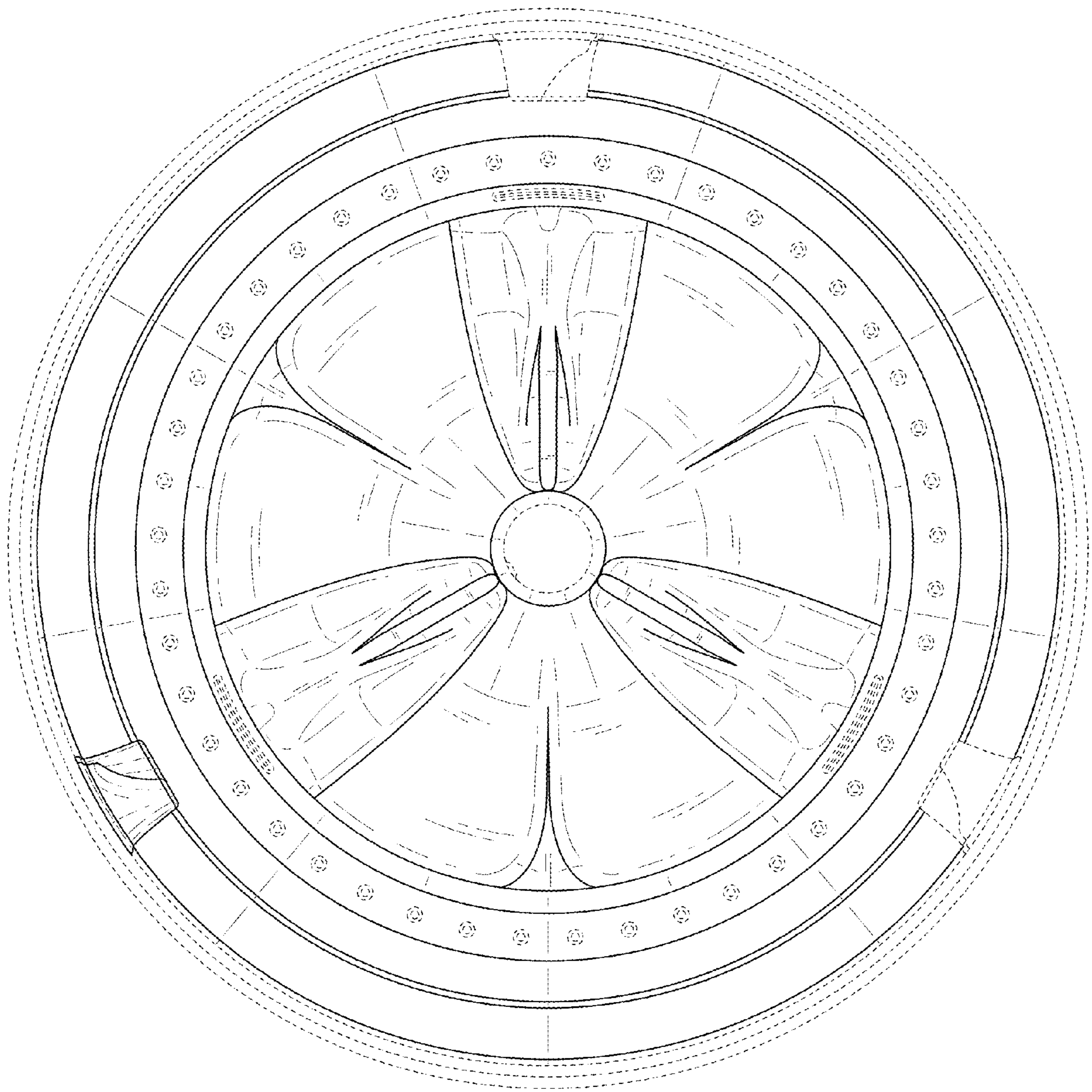


FIG. 10

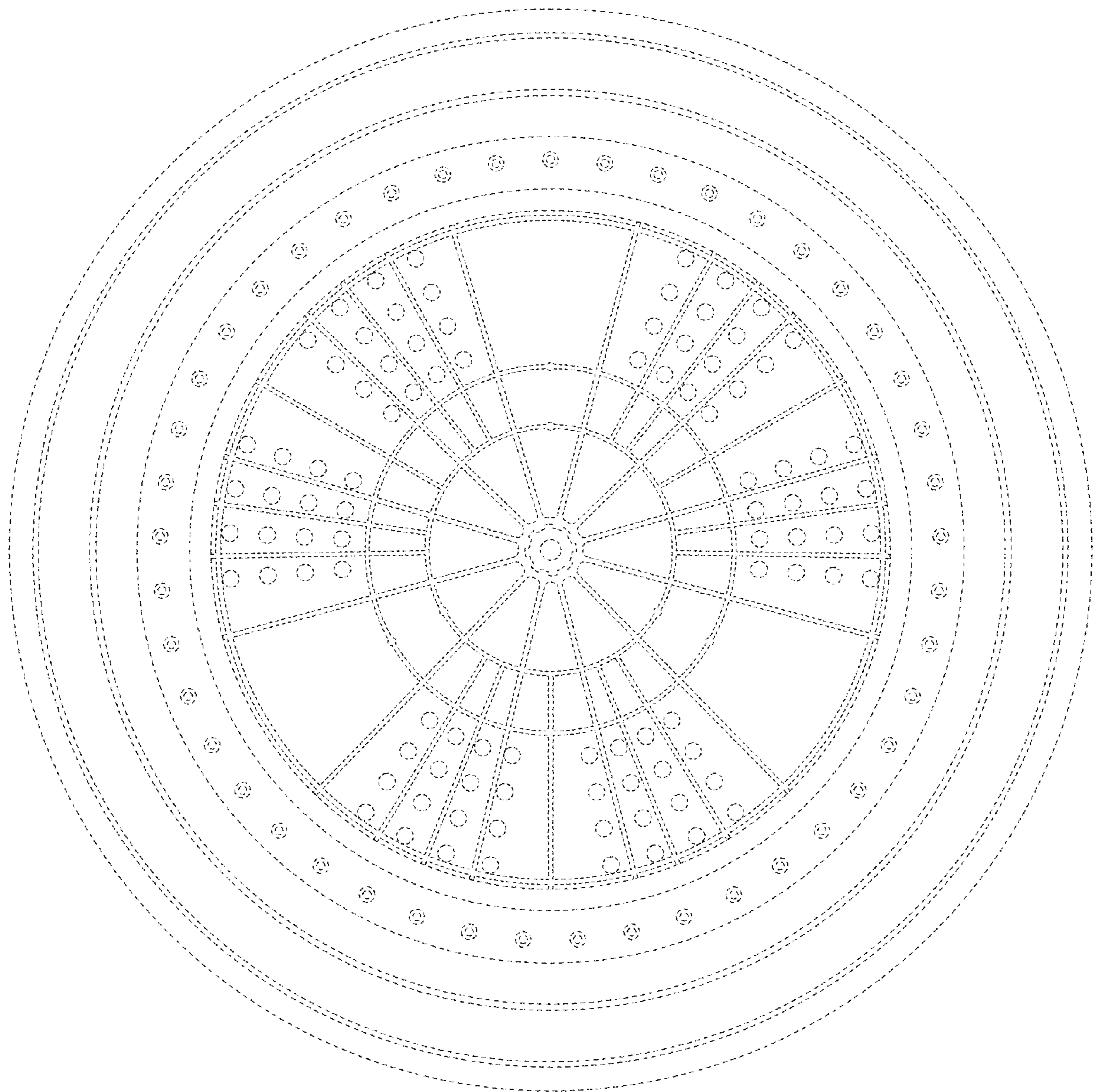


FIG. 11

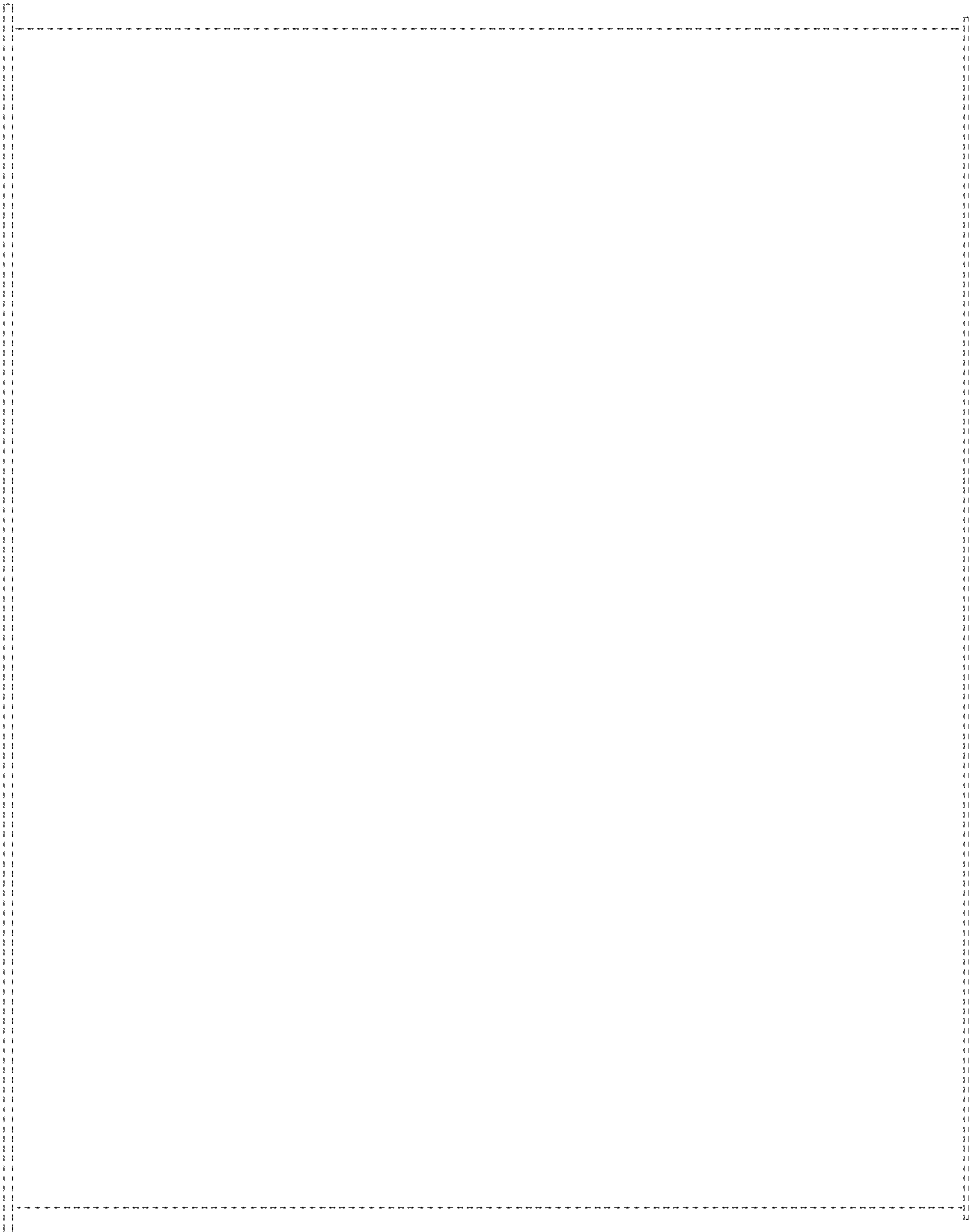


FIG. 12

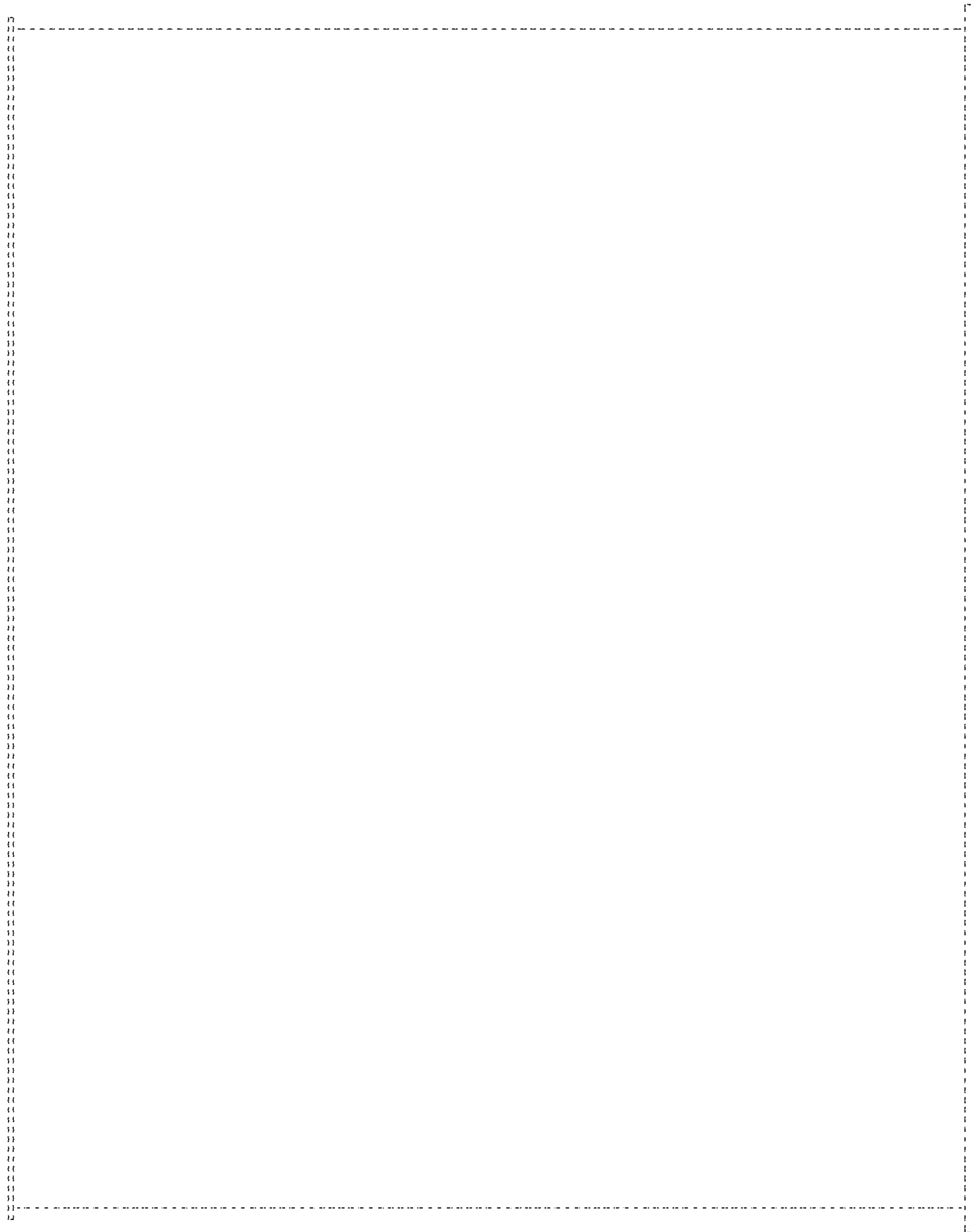


FIG. 13

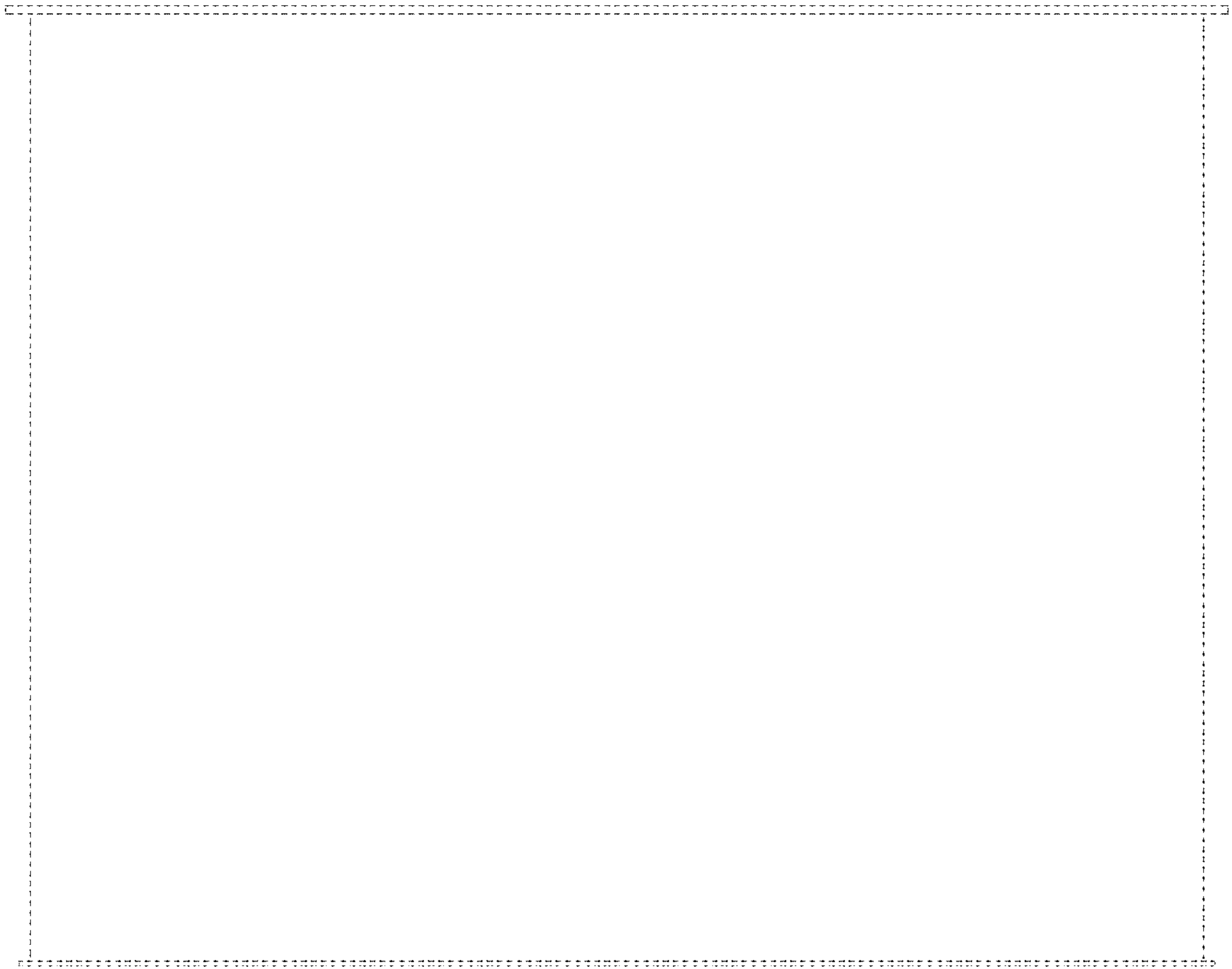


FIG. 14

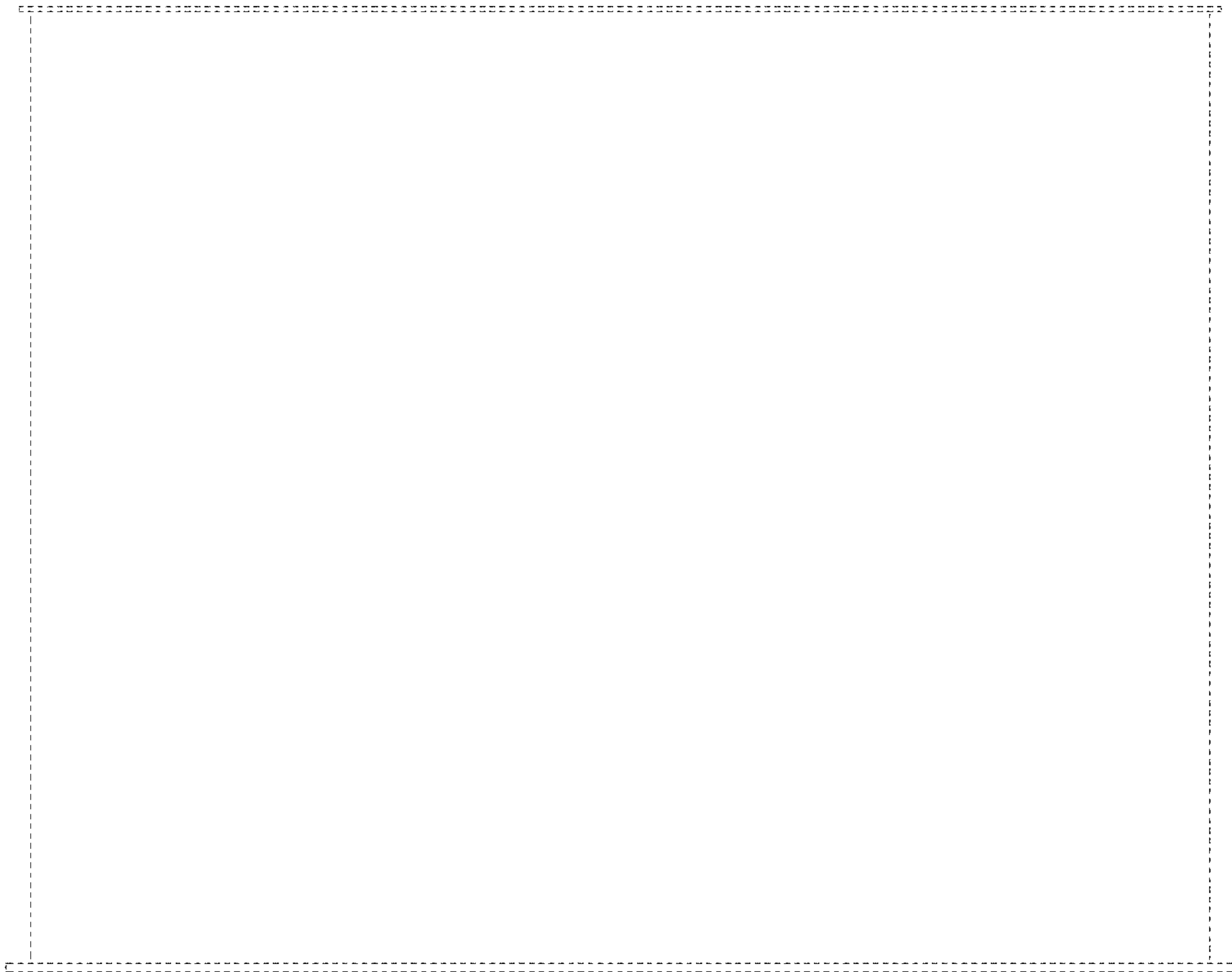


FIG. 15

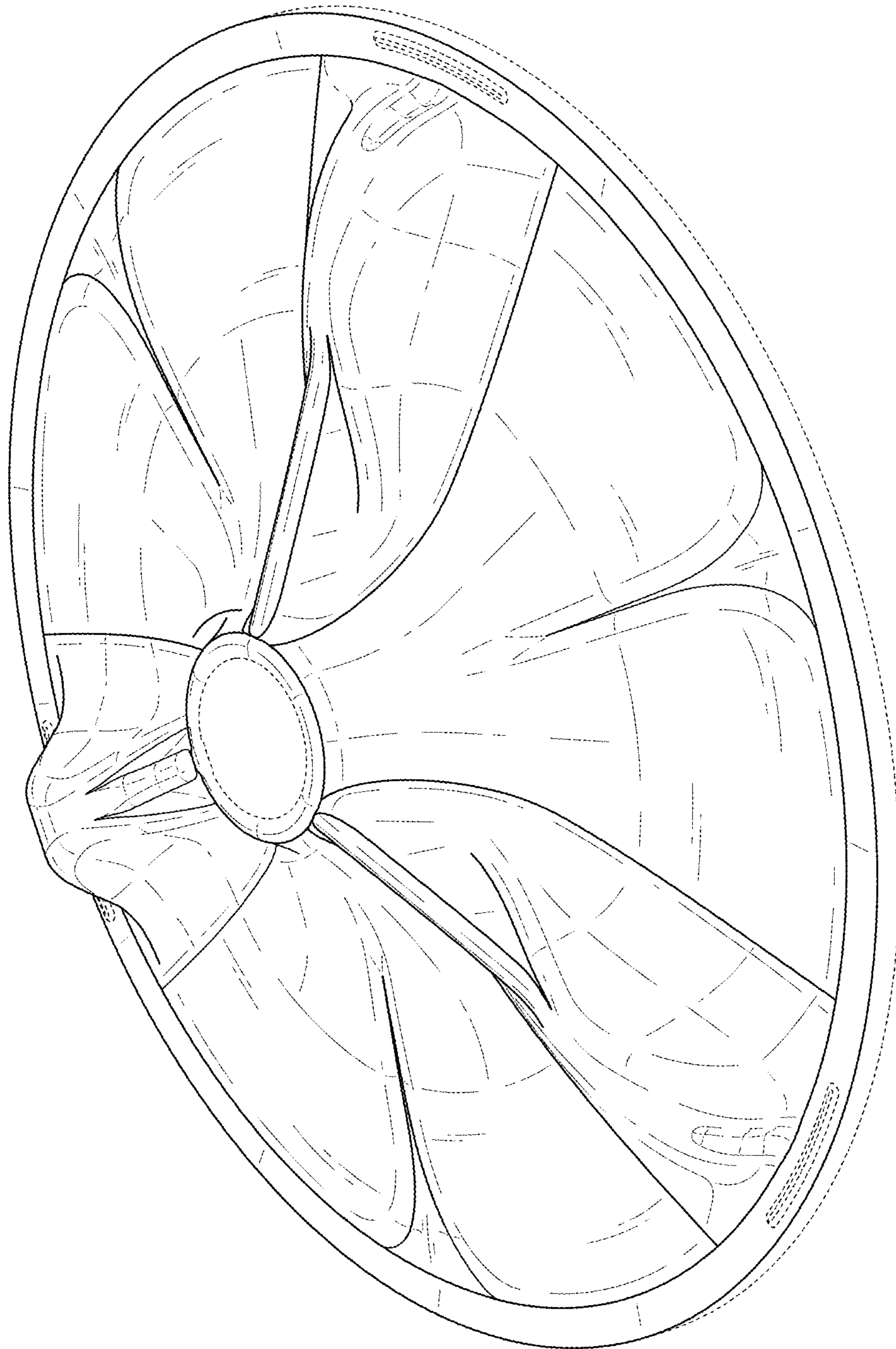


FIG. 16

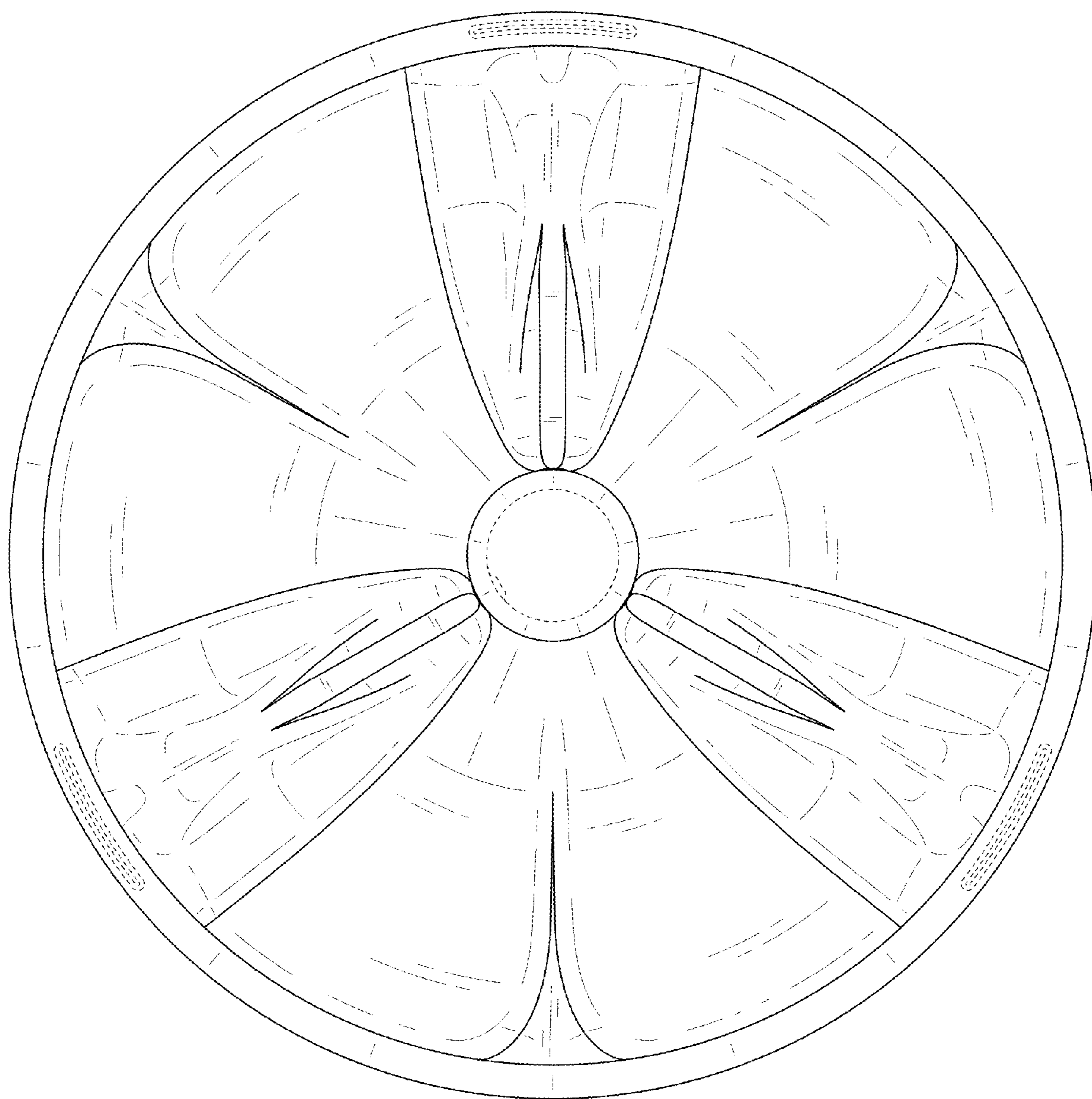


FIG. 17

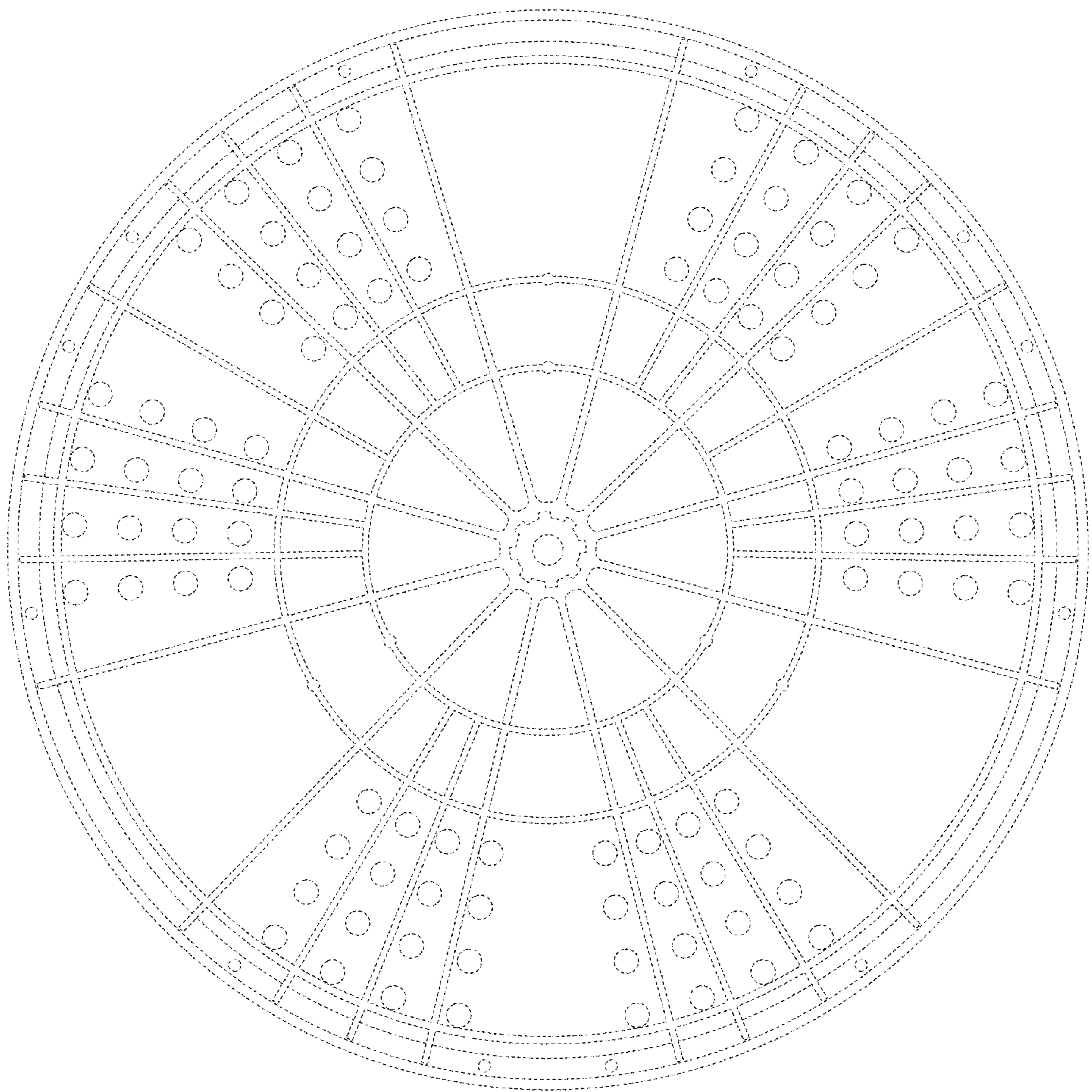


FIG. 18

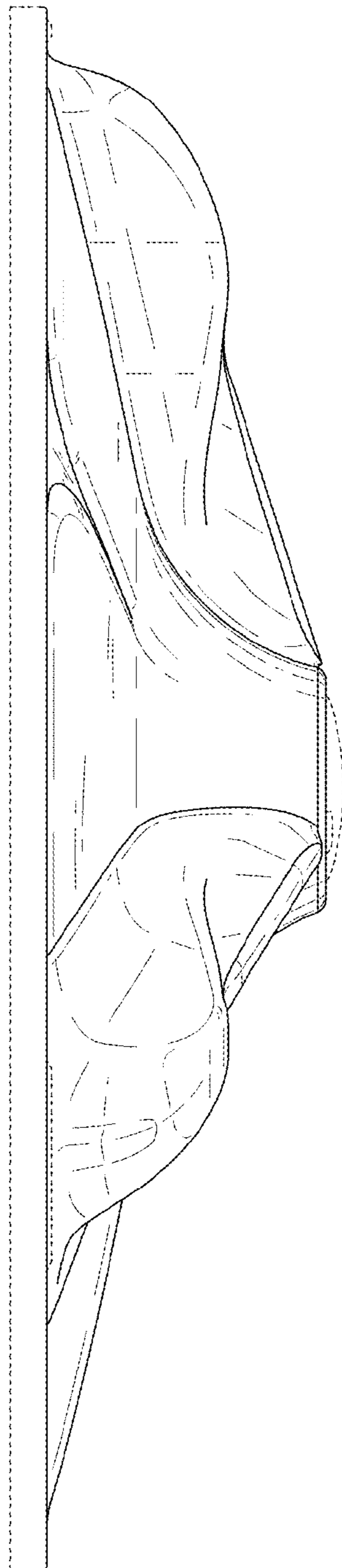


FIG. 19

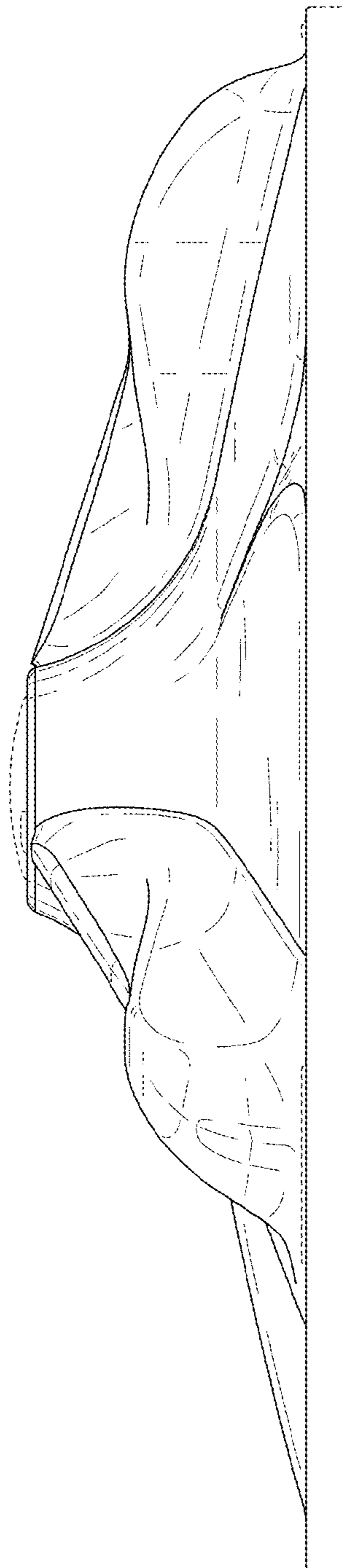


FIG. 20

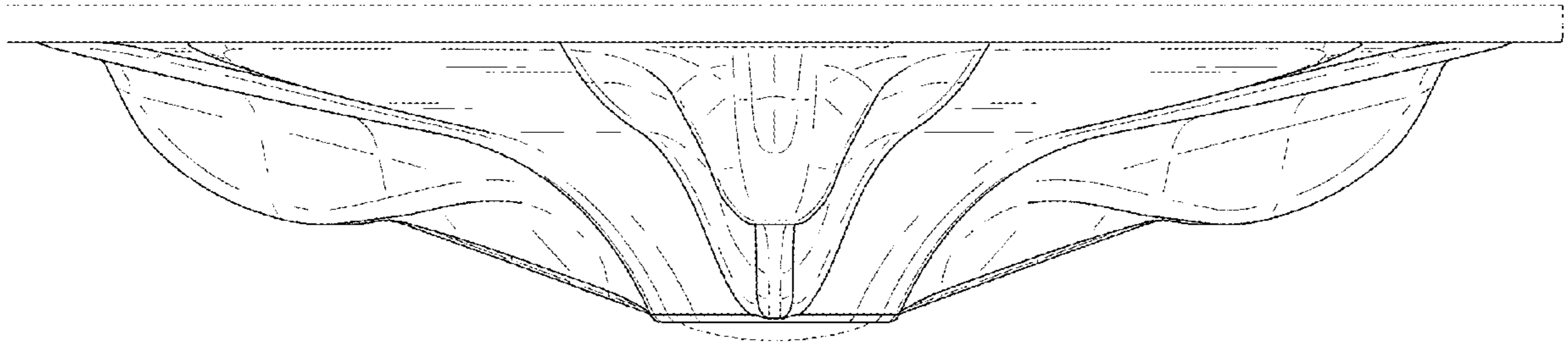


FIG. 21

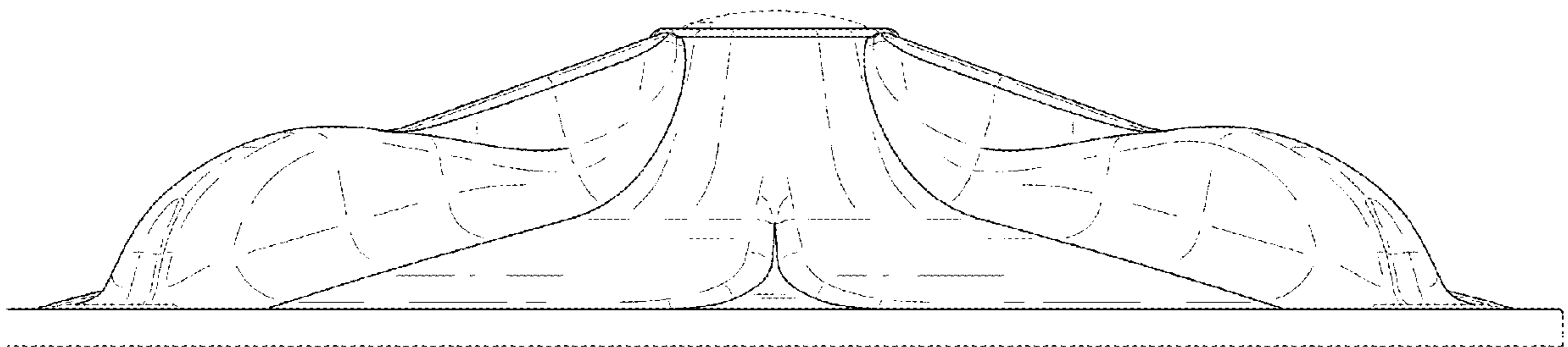


FIG. 22

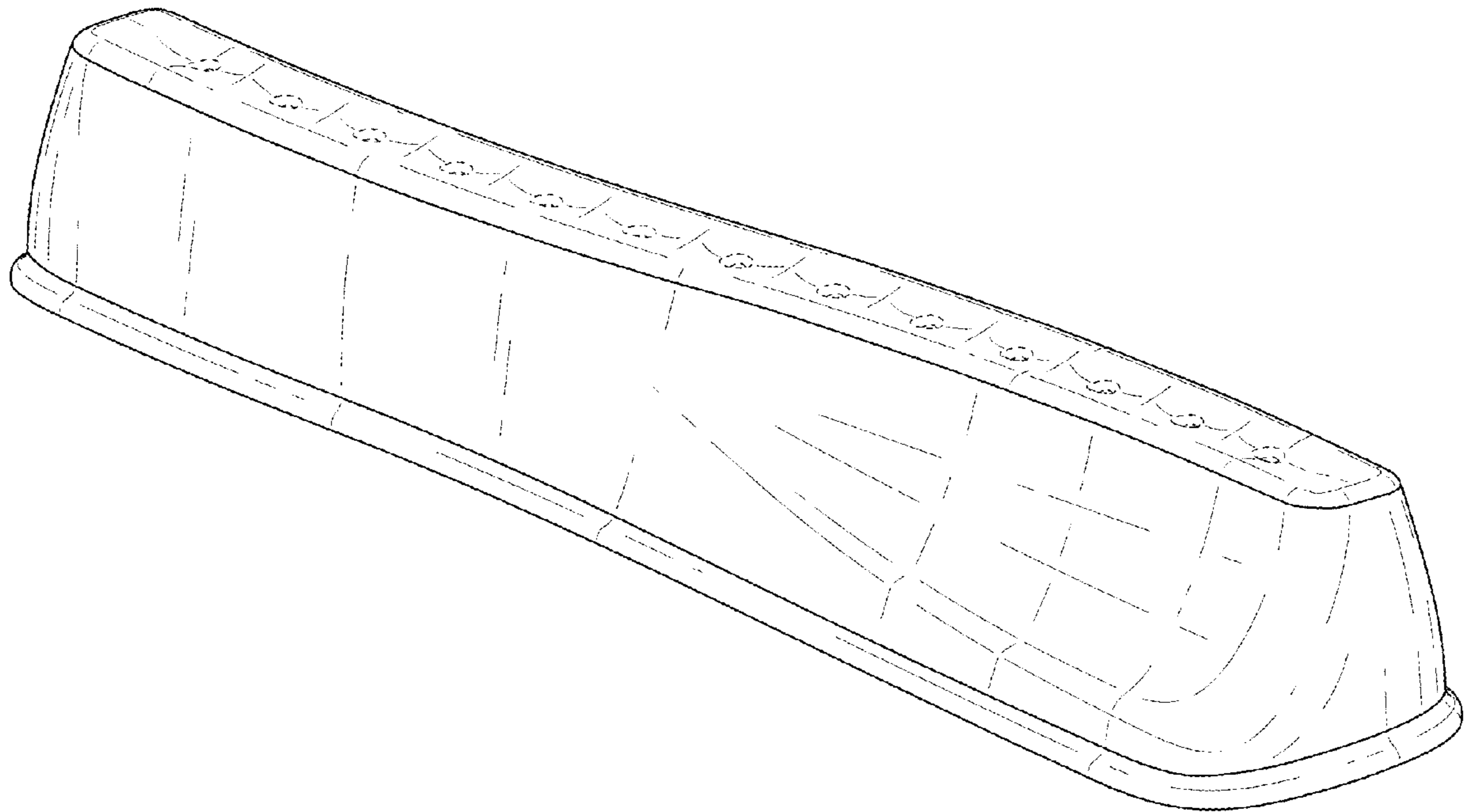


FIG. 23

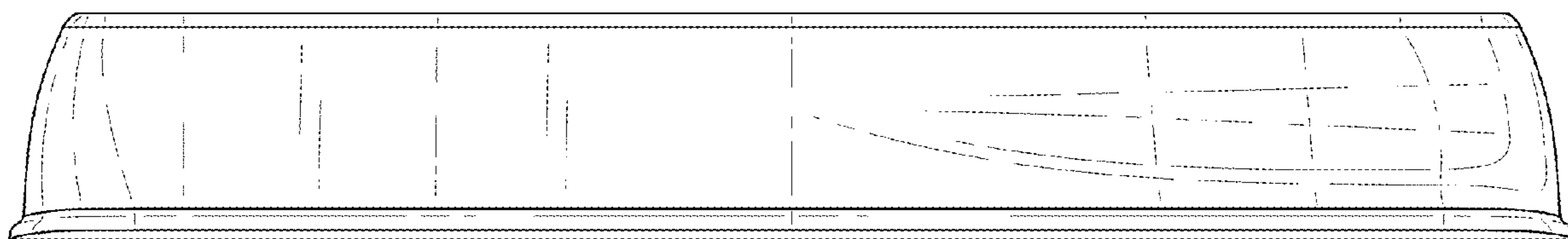


FIG. 24

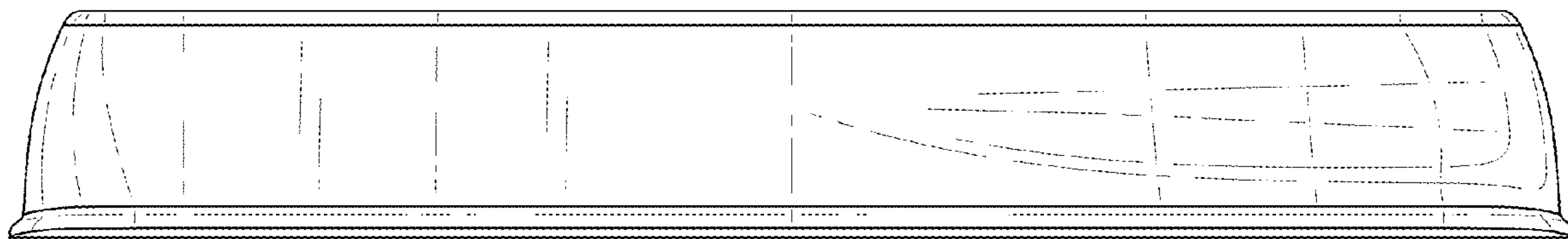


FIG. 25

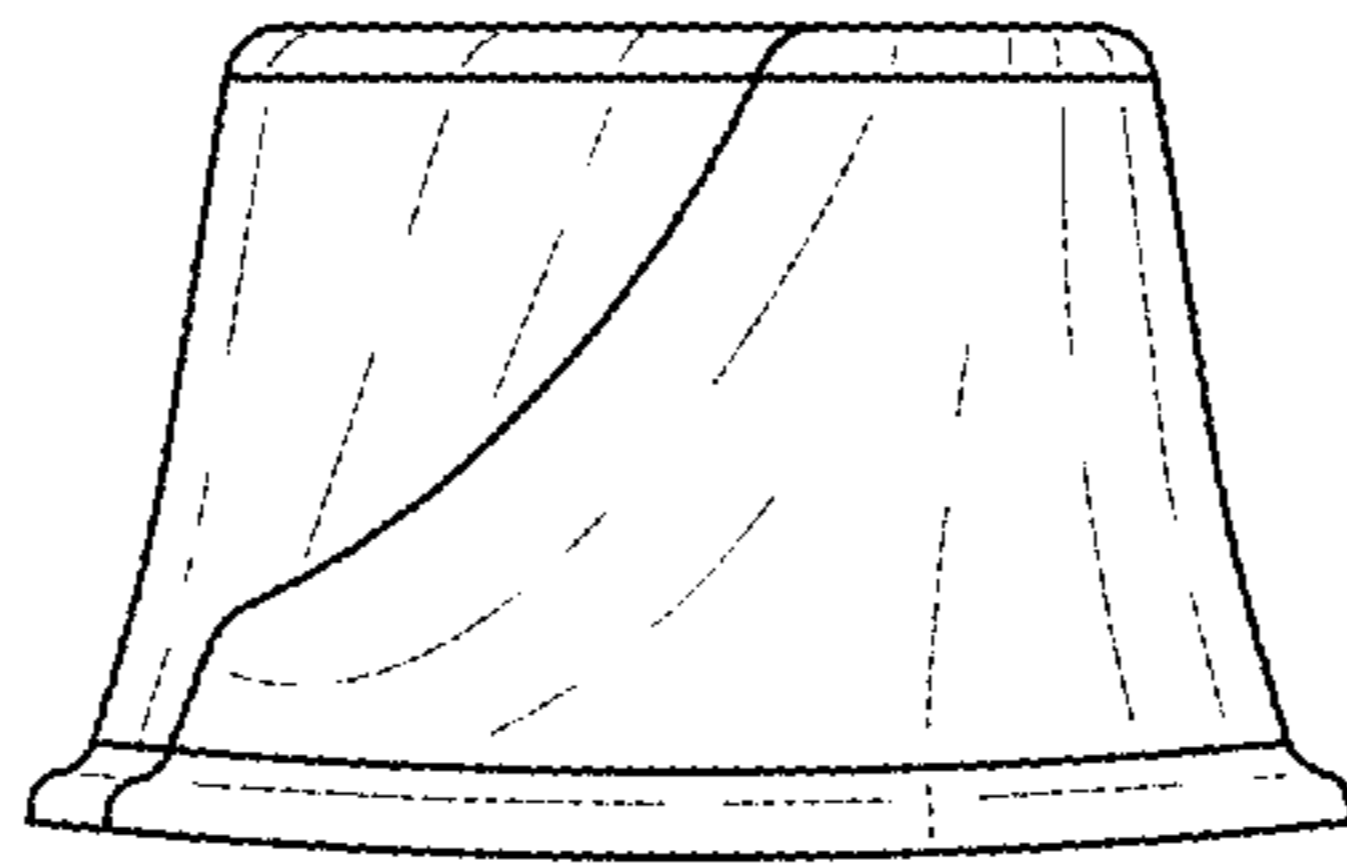


FIG. 26

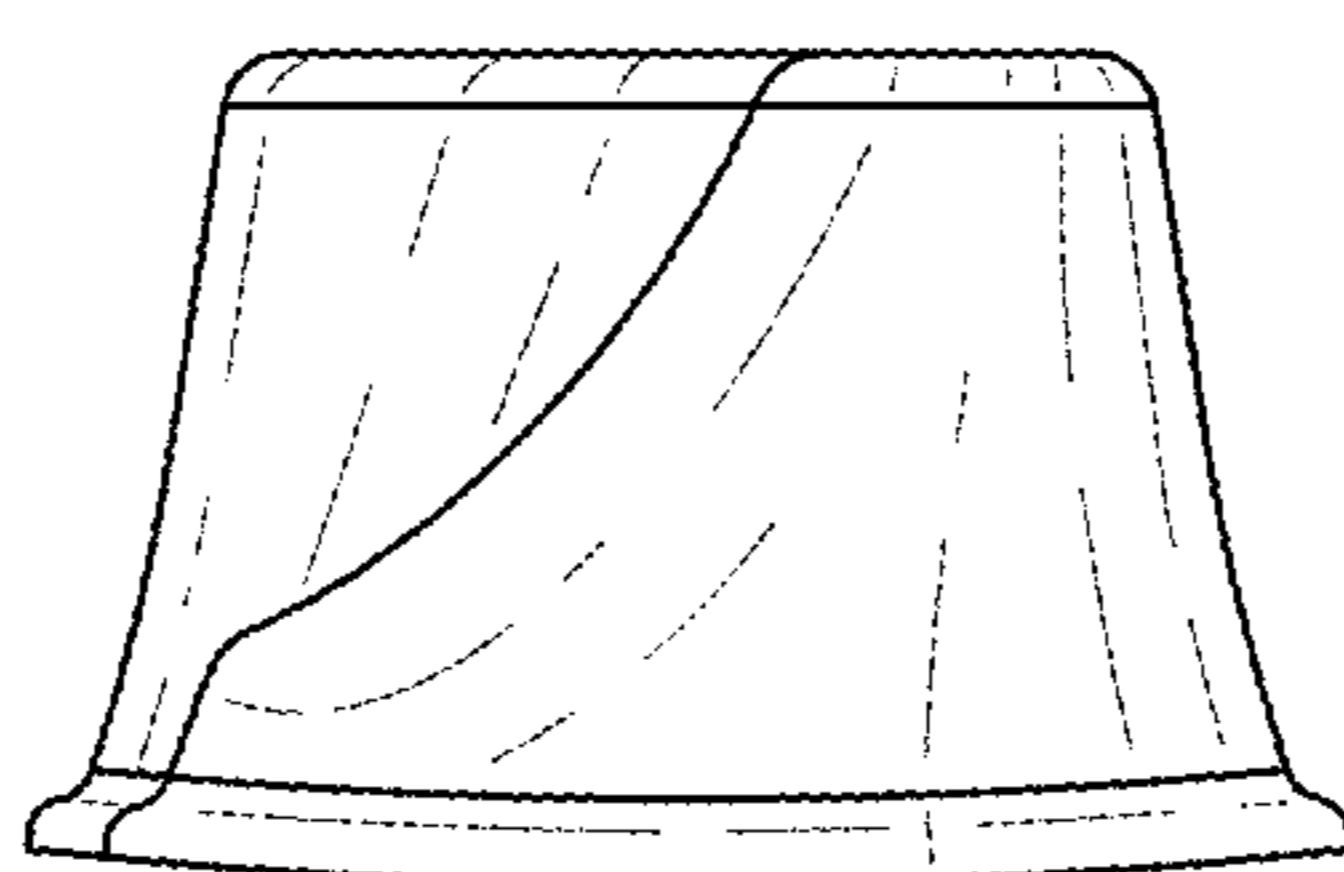


FIG. 27

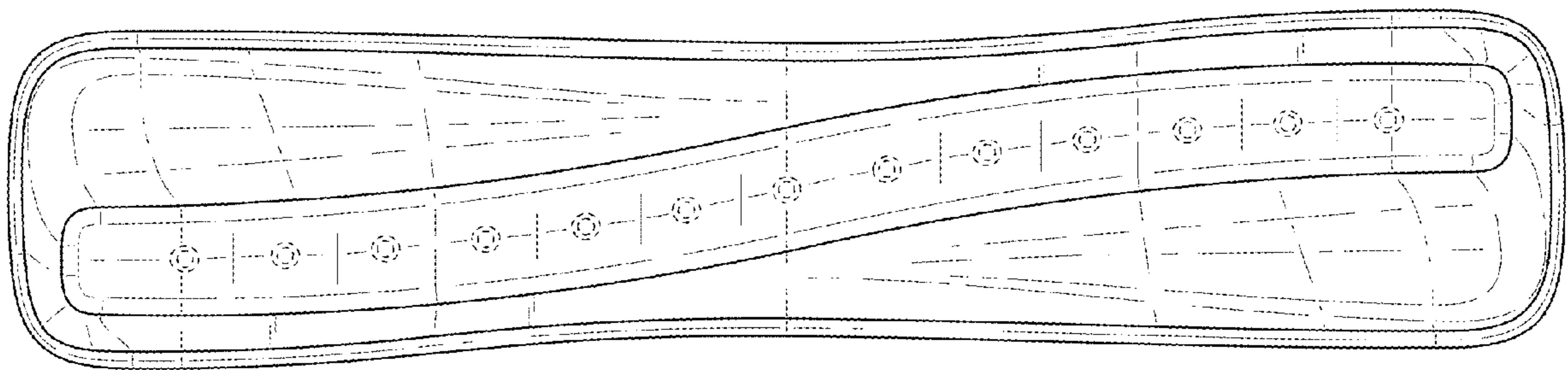


FIG. 28

