



US00D878688S

(12) **United States Design Patent** (10) **Patent No.:** **US D878,688 S**
Beaudreault et al. (45) **Date of Patent:** **** Mar. 17, 2020**

(54) **FABRIC CARE APPLIANCE**
(71) Applicant: **WHIRLPOOL CORPORATION**,
Benton Harbor, MI (US)
(72) Inventors: **James Beaudreault**, Lincoln, RI (US);
Matthew B. Conn, Granger, IN (US);
Christopher A. Gregory, St. Joseph,
MI (US); **Nicholas Koukourakis**,
Stevensville, MI (US); **Eamon C.**
Lyons, Somerset, MA (US); **Adam**
Richard Brown, Holland, MI (US)
(73) Assignee: **Whirlpool Corporation**, Benton
Harbor, MI (US)

D659,307 S * 5/2012 Geyer D32/6
D688,427 S * 8/2013 Meda D32/6
D695,472 S * 12/2013 Borjesson D32/6
D696,478 S * 12/2013 Geyer D32/6
D697,678 S * 1/2014 Jeon D32/6
D701,009 S * 3/2014 Jinnam D32/6
D712,603 S * 9/2014 Geyer D32/6
D731,129 S * 6/2015 Ha D32/6
D731,719 S * 6/2015 Borjesson D32/6
D732,250 S * 6/2015 Borjesson D32/6
D739,097 S * 9/2015 Qin D32/6
9,388,523 B2 * 7/2016 Han D06F 39/14
D787,759 S * 5/2017 Geyer D32/6
9,777,423 B2 * 10/2017 Stabon D06F 39/02
9,834,880 B2 * 12/2017 Jo D06F 39/02
2017/0183807 A1 * 6/2017 Cinello D06F 37/22
2017/0342639 A1 * 11/2017 Kim D06F 39/002

* cited by examiner

(**) Term: **15 Years**

Primary Examiner — Michelle E. Wilson

(21) Appl. No.: **29/605,914**

(74) Attorney, Agent, or Firm — Price Heneveld LLP

(22) Filed: **May 31, 2017**

(57) **CLAIM**

(51) **LOC (12) Cl.** **15-05**

The ornamental design for a fabric care appliance, as shown and described.

(52) **U.S. Cl.**
USPC **D32/6**

DESCRIPTION

(58) **Field of Classification Search**
USPC D32/1, 5-6, 8, 25, 28, 29
CPC D06F 33/02; D06F 2204/065; D06F 25/00;
D06F 35/006; D06F 37/28; D06F 39/14;
D06F 58/203
See application file for complete search history.

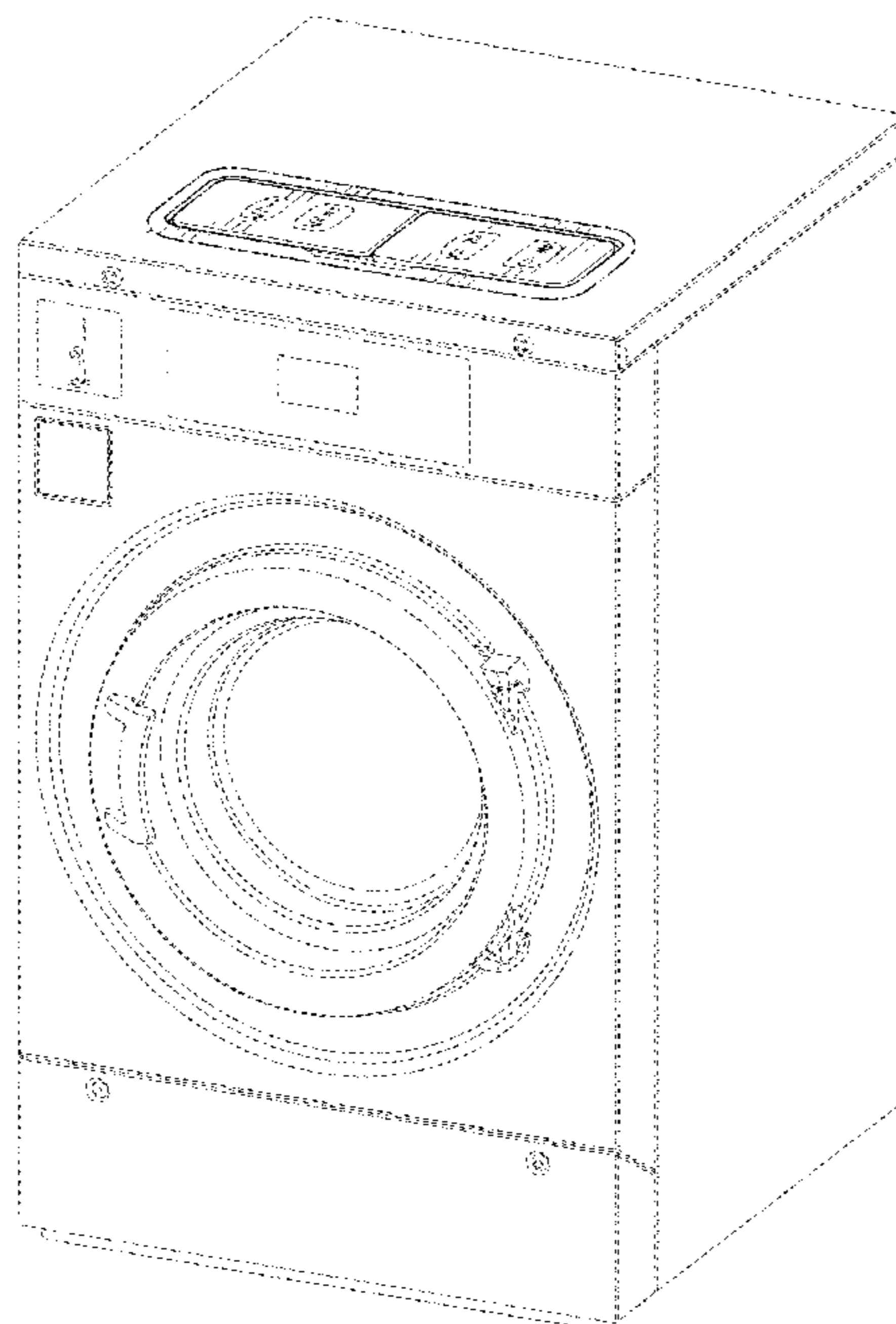
FIG. 1 is a front perspective view of a fabric care appliance according to our design;
FIG. 2 is a top plan view thereof;
FIG. 3 is a front perspective detail view of the claimed portion of the fabric care appliance of FIG. 1; and,
FIG. 4 is a rear perspective detail view of the claimed portion of the fabric care appliance of FIG. 1.
The broken lines showing various portions of the fabric care appliance form no part of the claimed design.
The dash-dot broken lines designate bounds of the claimed design and form no part of the claimed design.

(56) **References Cited**

U.S. PATENT DOCUMENTS

D597,711 S * 8/2009 Nam D32/6
D611,207 S * 3/2010 Yalcin D32/6
D626,300 S * 10/2010 Lee D32/6
D630,807 S * 1/2011 Song D32/6
D631,624 S * 1/2011 Chung D32/6

1 Claim, 4 Drawing Sheets



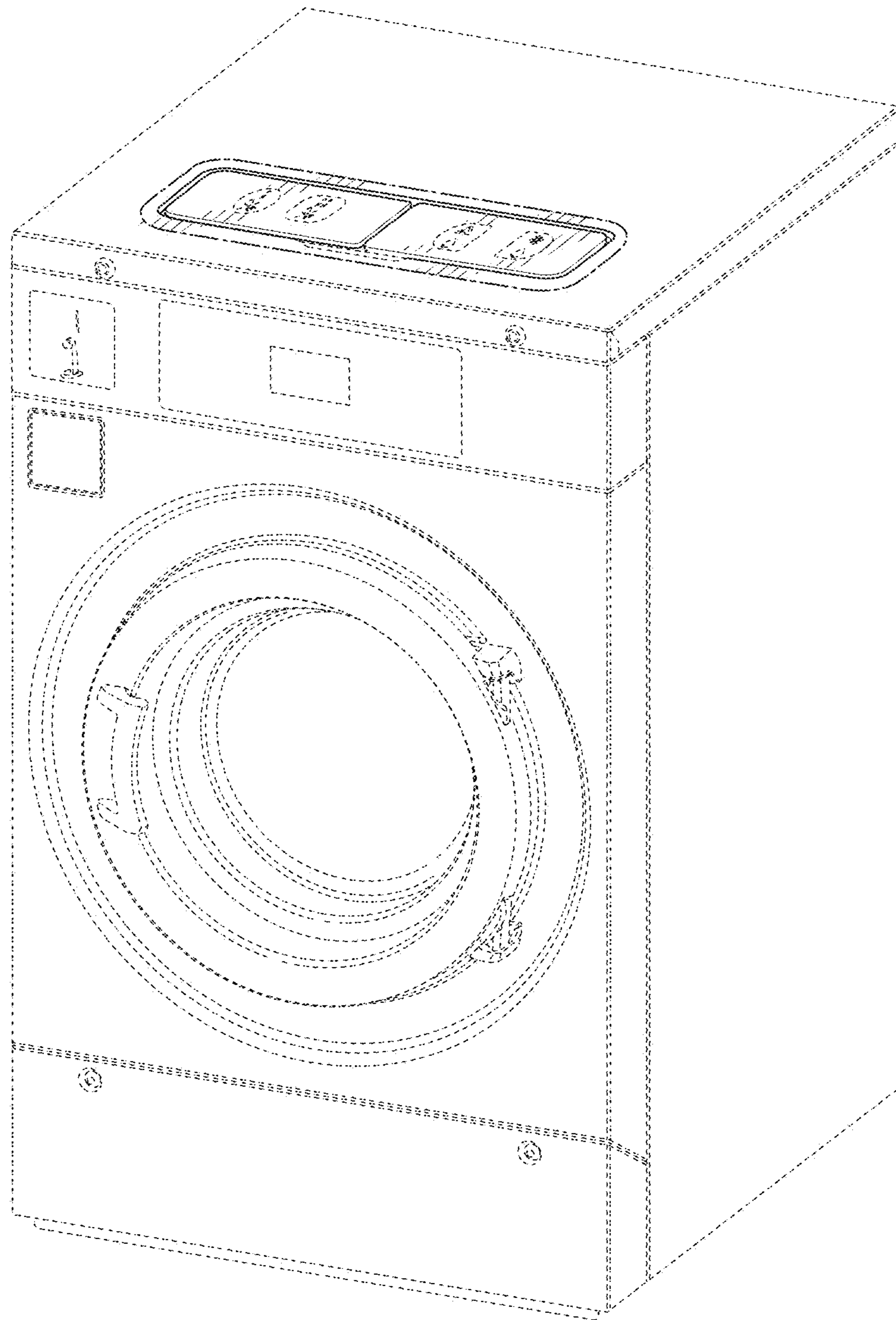


FIG. 1

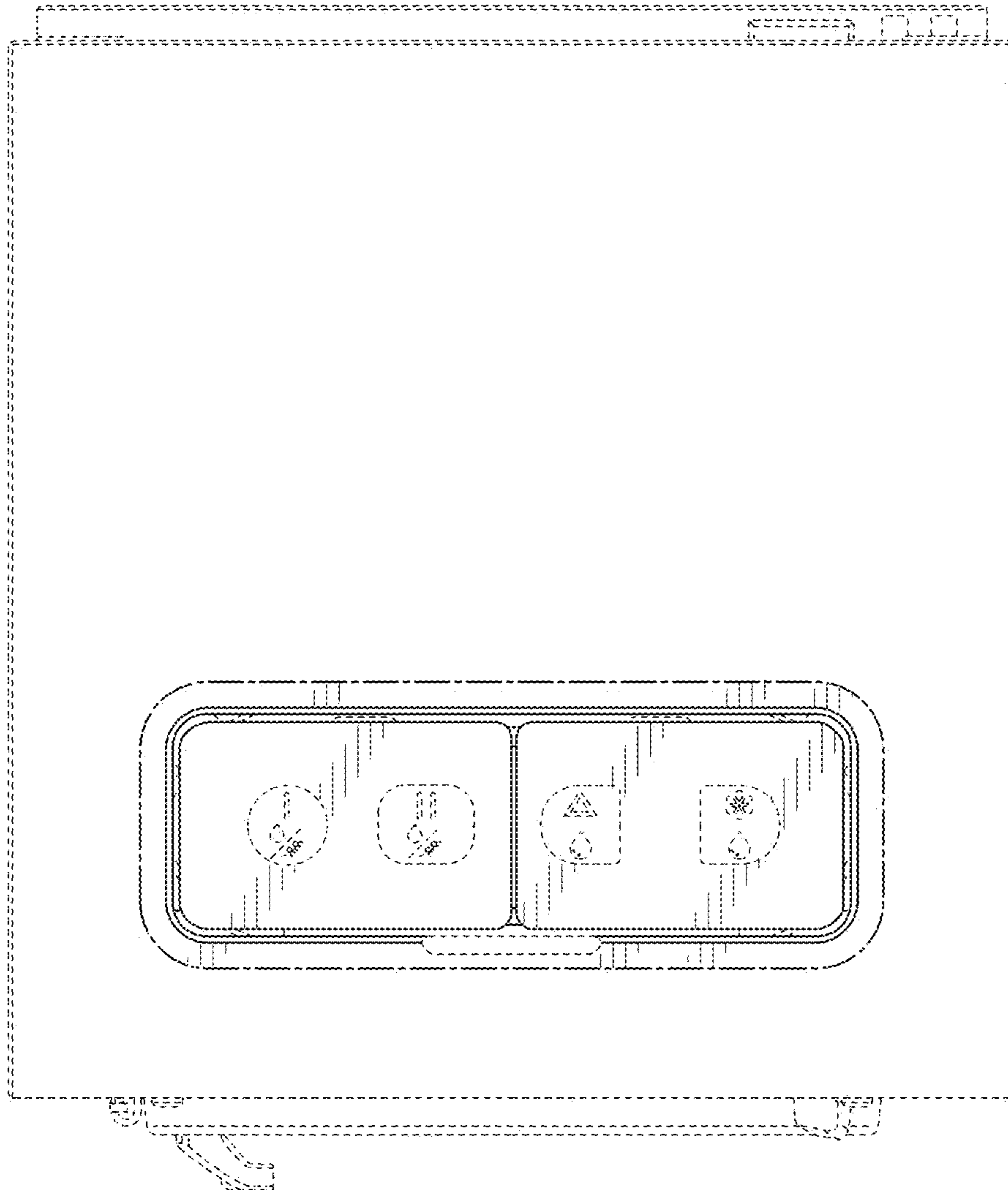


FIG. 2

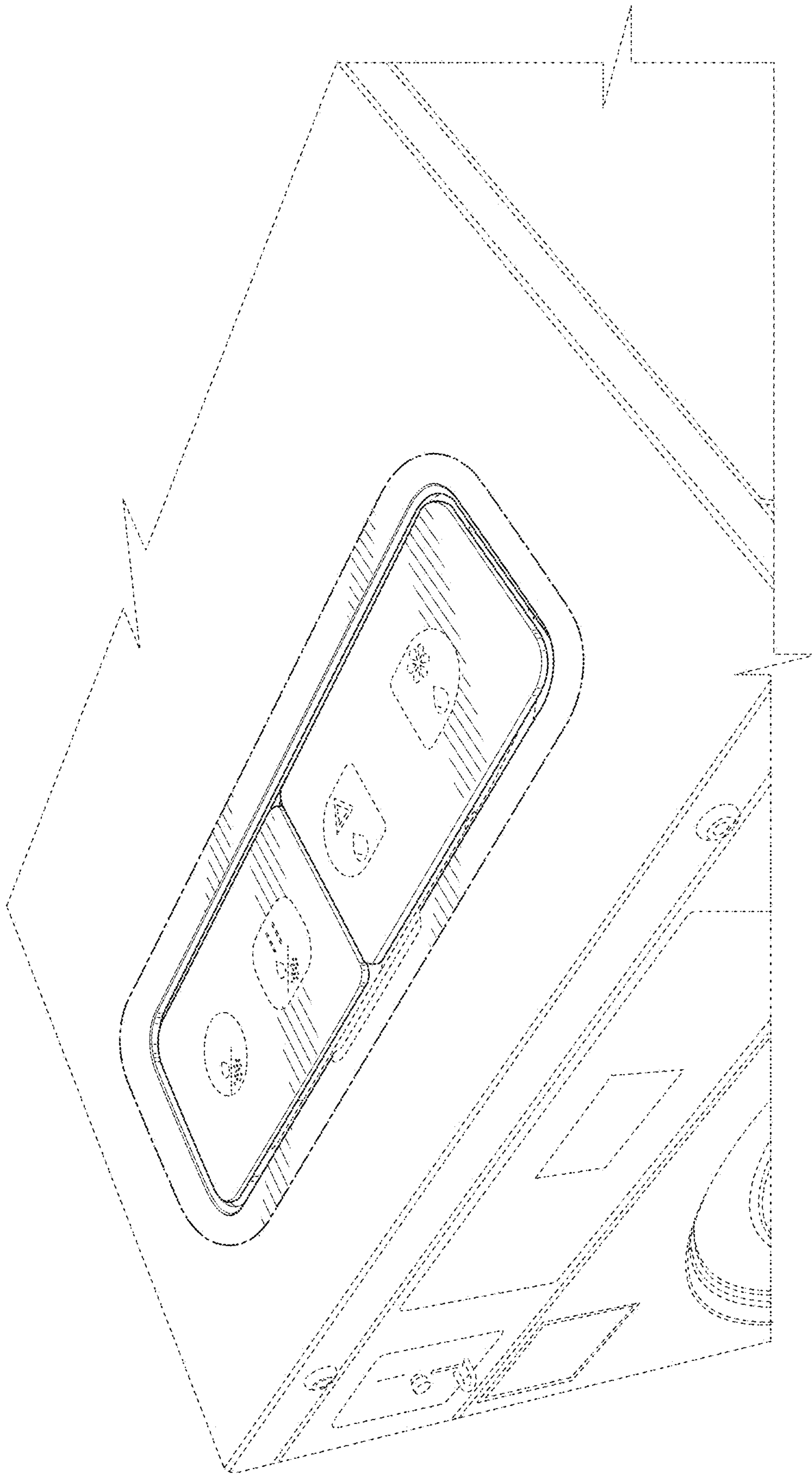


FIG. 3

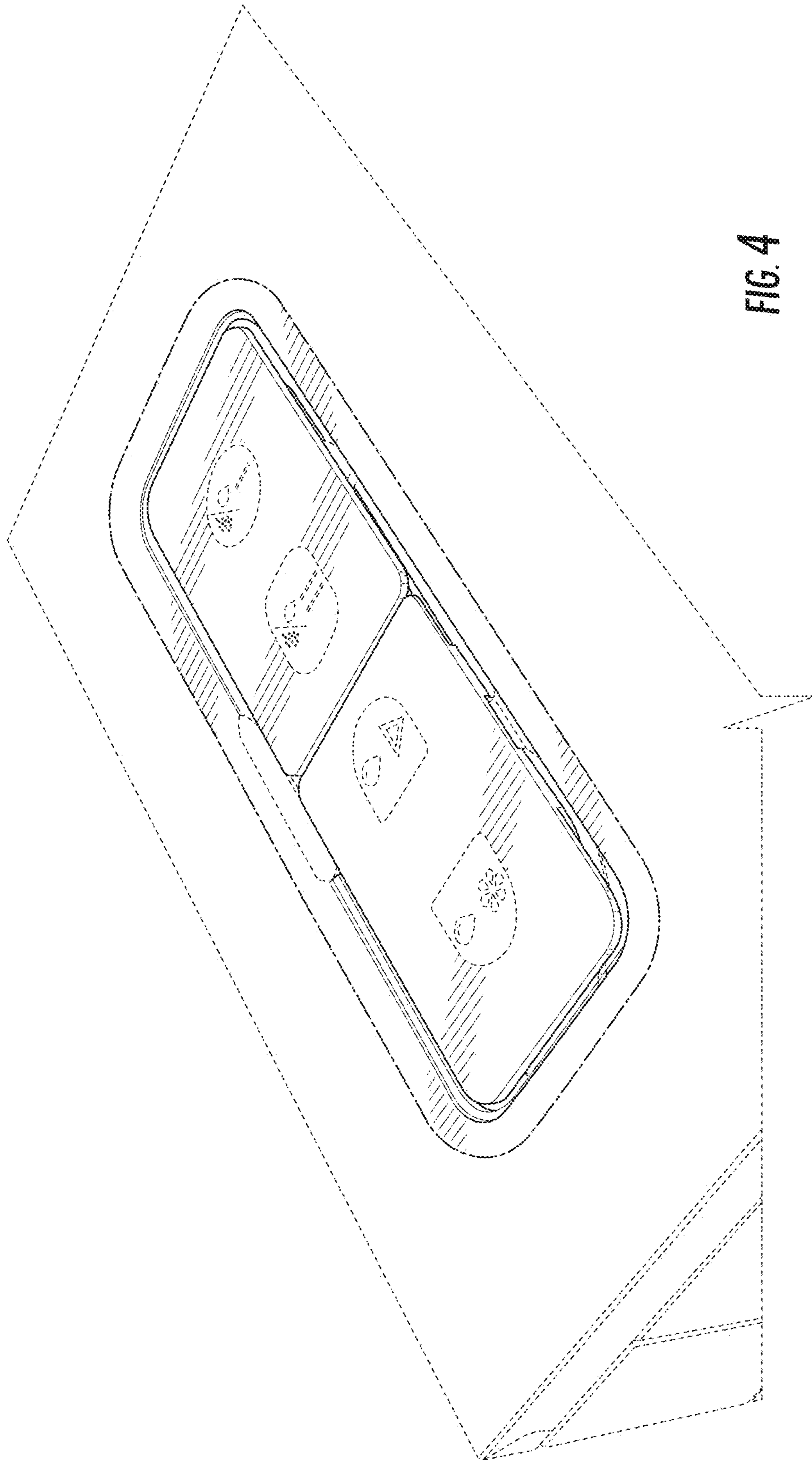


FIG. 4