



US00D878687S

(12) **United States Design Patent**
Beaudreault et al.

(10) **Patent No.:** **US D878,687 S**
(45) **Date of Patent:** **** Mar. 17, 2020**

- (54) **FABRIC CARE APPLIANCE**
- (71) Applicant: **WHIRLPOOL CORPORATION**,
Benton Harbor, MI (US)
- (72) Inventors: **James Beaudreault**, Lincoln, RI (US);
Matthew B. Conn, Granger, IN (US);
Christopher A. Gregory, St. Joseph,
MI (US); **Nicholas Koukourakis**,
Stevensville, MI (US); **Andrew S.**
Lawrence, St. Joseph, MI (US);
Eamon C. Lyons, Somerset, MA (US);
Mark W. Schulz, Benton Harbor, MI
(US)
- (73) Assignee: **Whirlpool Corporation**, Benton
Harbor, MI (US)

(**) Term: **15 Years**
(21) Appl. No.: **29/605,912**

(22) Filed: **May 31, 2017**
(51) **LOC (12) Cl.** **15-05**
(52) **U.S. Cl.**
USPC **D32/6**
(58) **Field of Classification Search**
USPC D32/1, 5-6, 8, 25, 28, 29
CPC D06F 33/02; D06F 2204/065; D06F 25/00;
D06F 35/006; D06F 37/28; D06F 39/14;
D06F 58/203
See application file for complete search history.

(56) **References Cited**

U.S. PATENT DOCUMENTS

D597,711 S * 8/2009 Nam D32/6
D611,207 S * 3/2010 Yalcin D32/6
D626,300 S * 10/2010 Lee D32/6

D630,807 S *	1/2011	Song	D32/6
D631,624 S *	1/2011	Chung	D32/6
D659,307 S *	5/2012	Geyer	D32/6
D688,427 S *	8/2013	Meda	D32/6
D695,472 S *	12/2013	Borjesson	D32/6
D696,478 S *	12/2013	Geyer	D32/6
D697,678 S *	1/2014	Jeon	D32/6
D701,009 S *	3/2014	Jinnam	D32/6
D712,603 S *	9/2014	Geyer	D32/6
D731,129 S *	6/2015	Ha	D32/6
D731,719 S *	6/2015	Borjesson	D32/6
D732,250 S *	6/2015	Borjesson	D32/6
D739,097 S *	9/2015	Qin	D32/6
9,388,523 B2 *	7/2016	Han	D06F 39/14
D787,759 S *	5/2017	Geyer	D32/6
9,777,423 B2 *	10/2017	Stabon	D06F 39/02
9,834,880 B2 *	12/2017	Jo	D06F 39/02
2017/0183807 A1 *	6/2017	Cinello	D06F 37/22
2017/0342639 A1 *	11/2017	Kim	D06F 39/002

* cited by examiner

Primary Examiner — Michelle E. Wilson

(74) *Attorney, Agent, or Firm* — Price Heneveld LLP

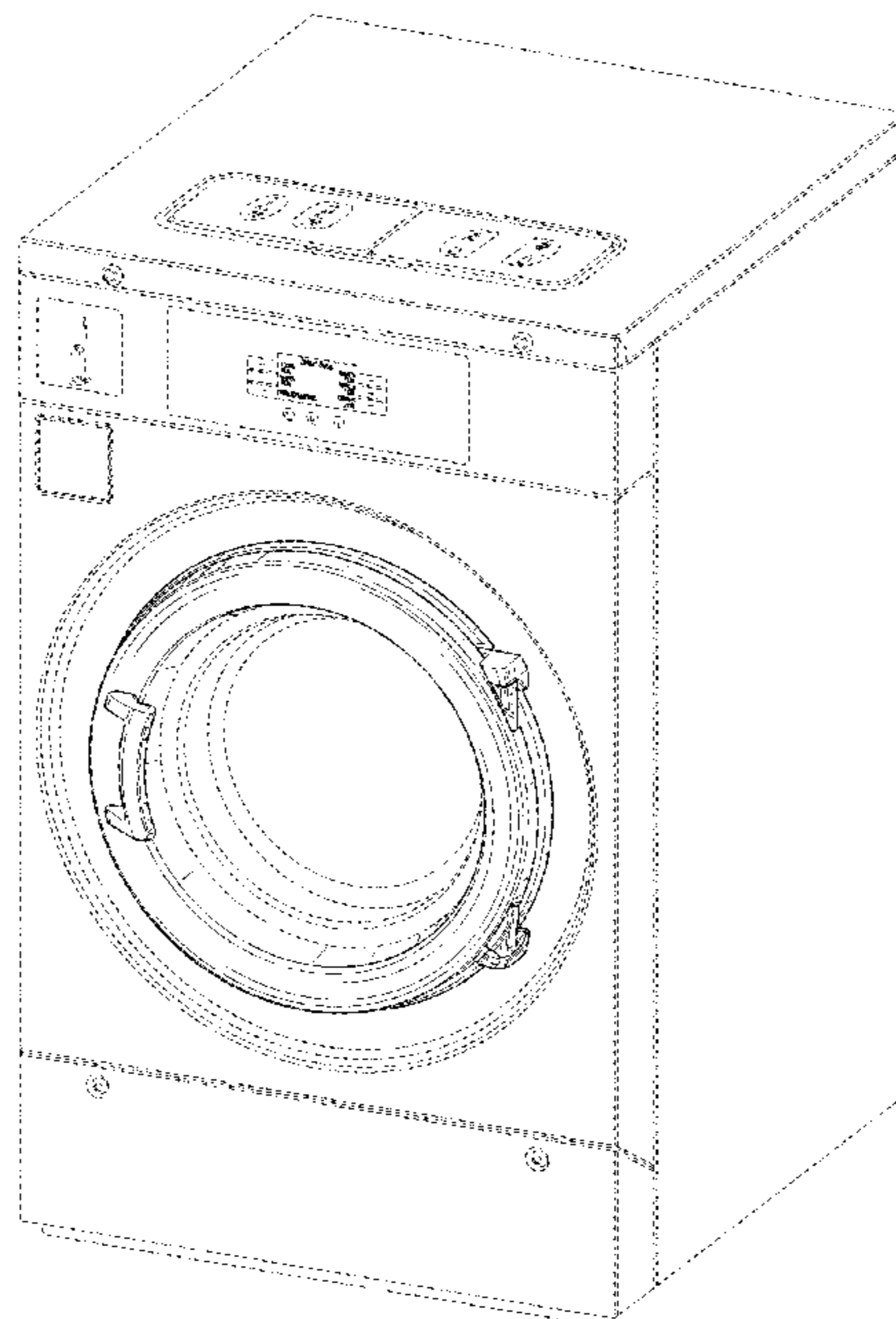
(57) **CLAIM**

The ornamental design for a fabric care appliance, as shown and described.

DESCRIPTION

FIG. 1 is a front perspective view of a fabric care appliance according to our design;
FIG. 2 is a front elevation view thereof;
FIG. 3 is a rear elevation view thereof;
FIG. 4 is a left side elevation view thereof;
FIG. 5 is a right side elevation view thereof;
FIG. 6 is a top plan view thereof; and,
FIG. 7 is a bottom plan view thereof.
The broken lines showing portions of the fabric care appliance form no part of the claimed design.

1 Claim, 7 Drawing Sheets



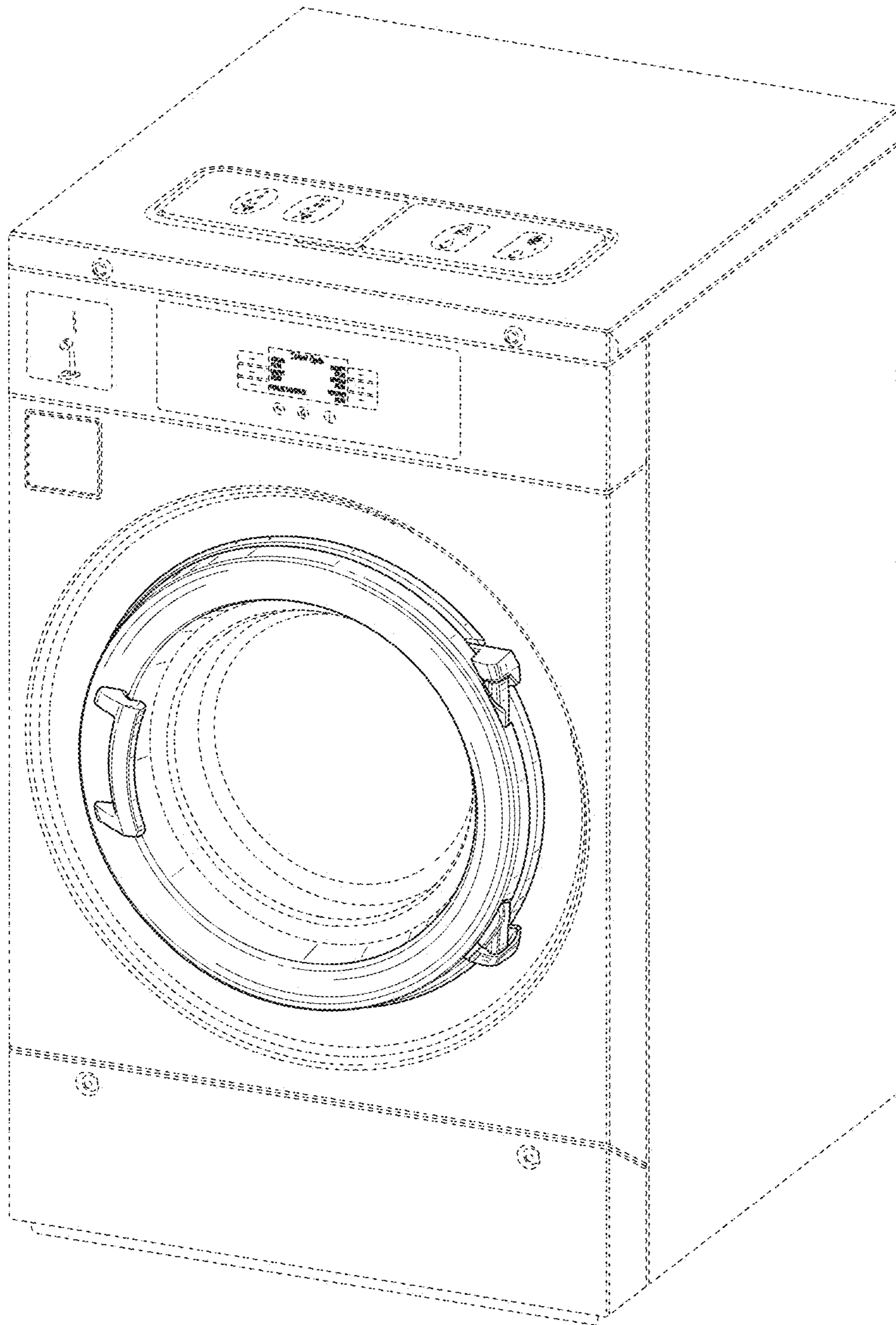


FIG. 1

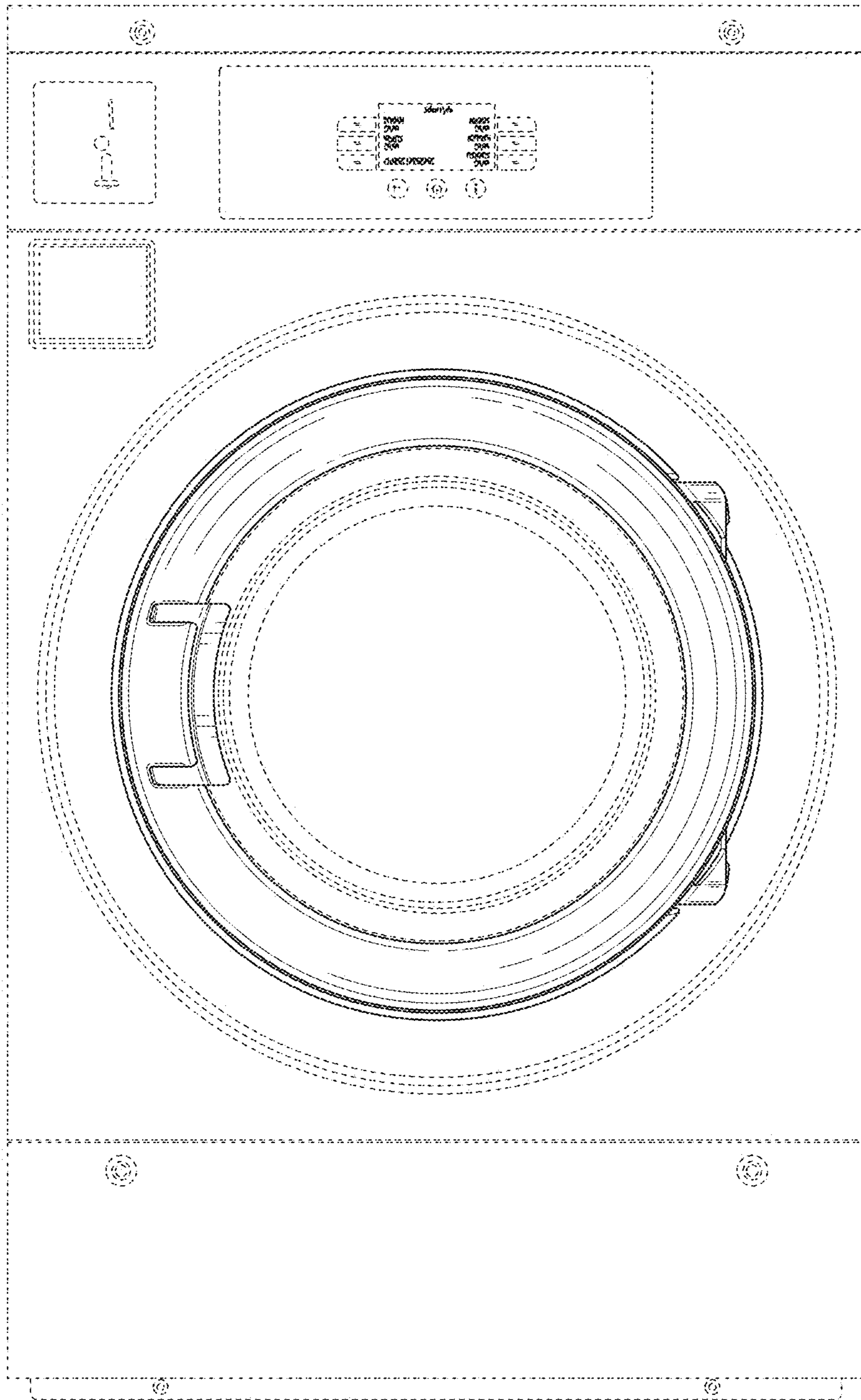


FIG. 2

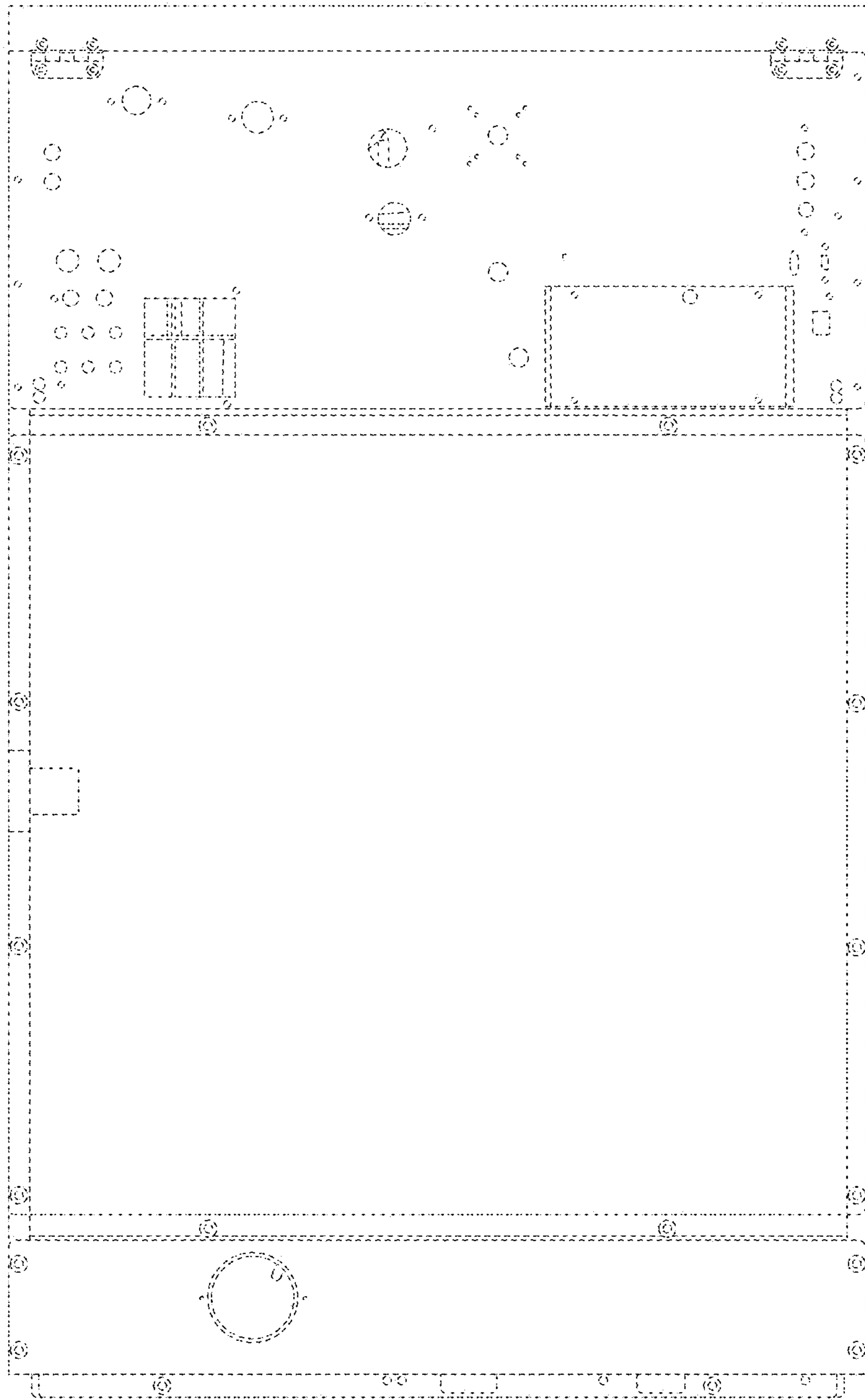


FIG. 3

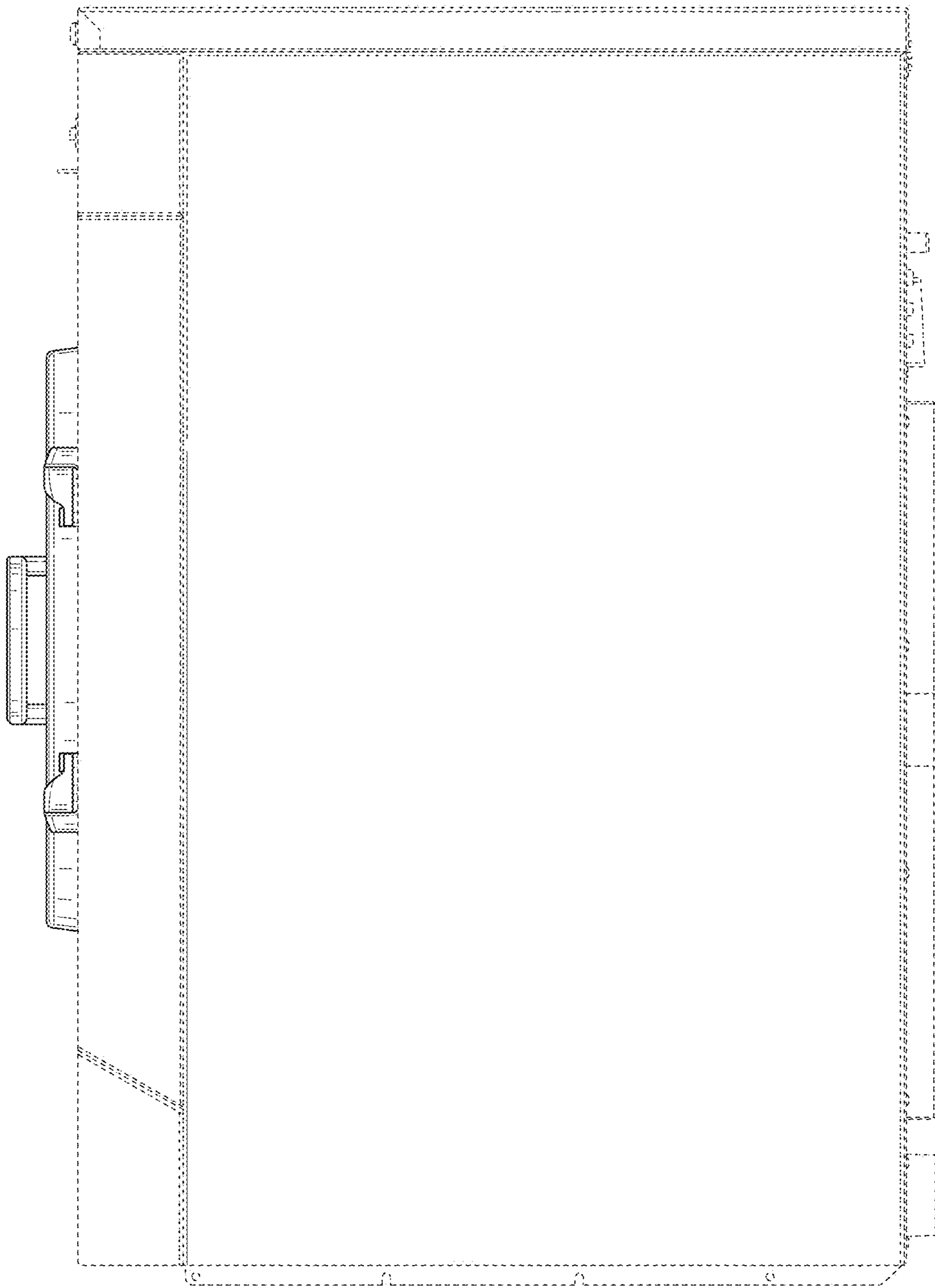


FIG. 4

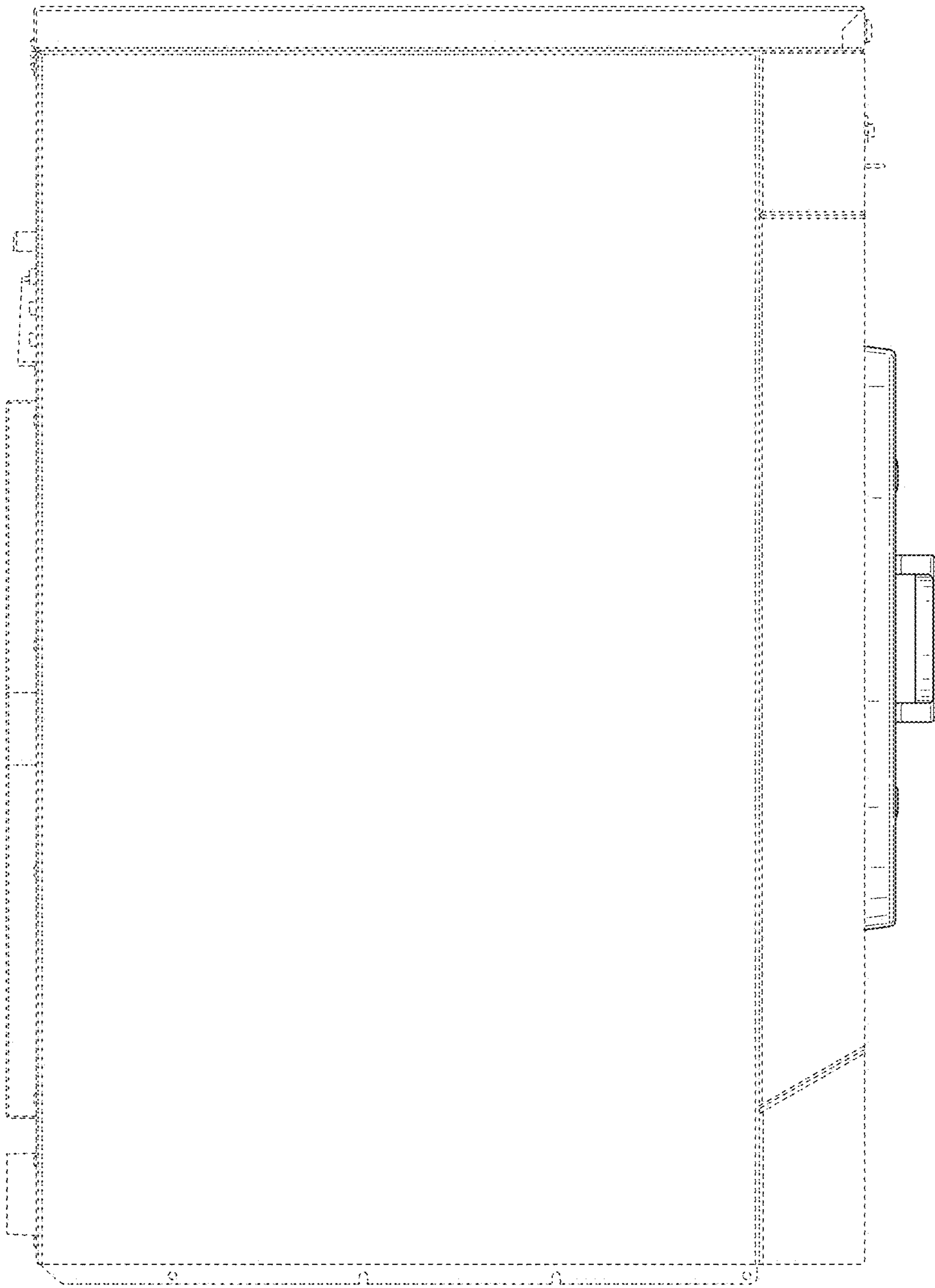


FIG. 5

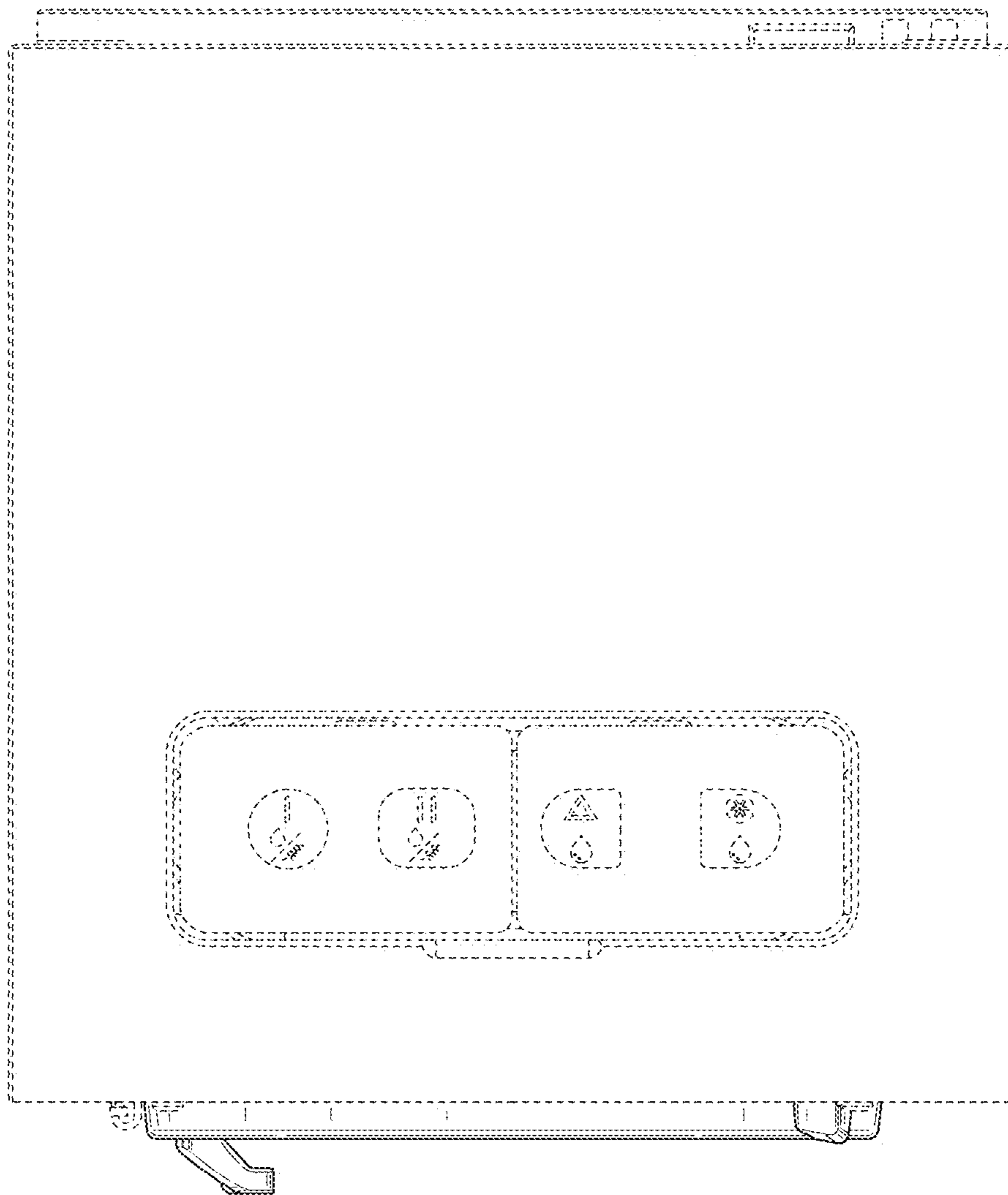


FIG. 6

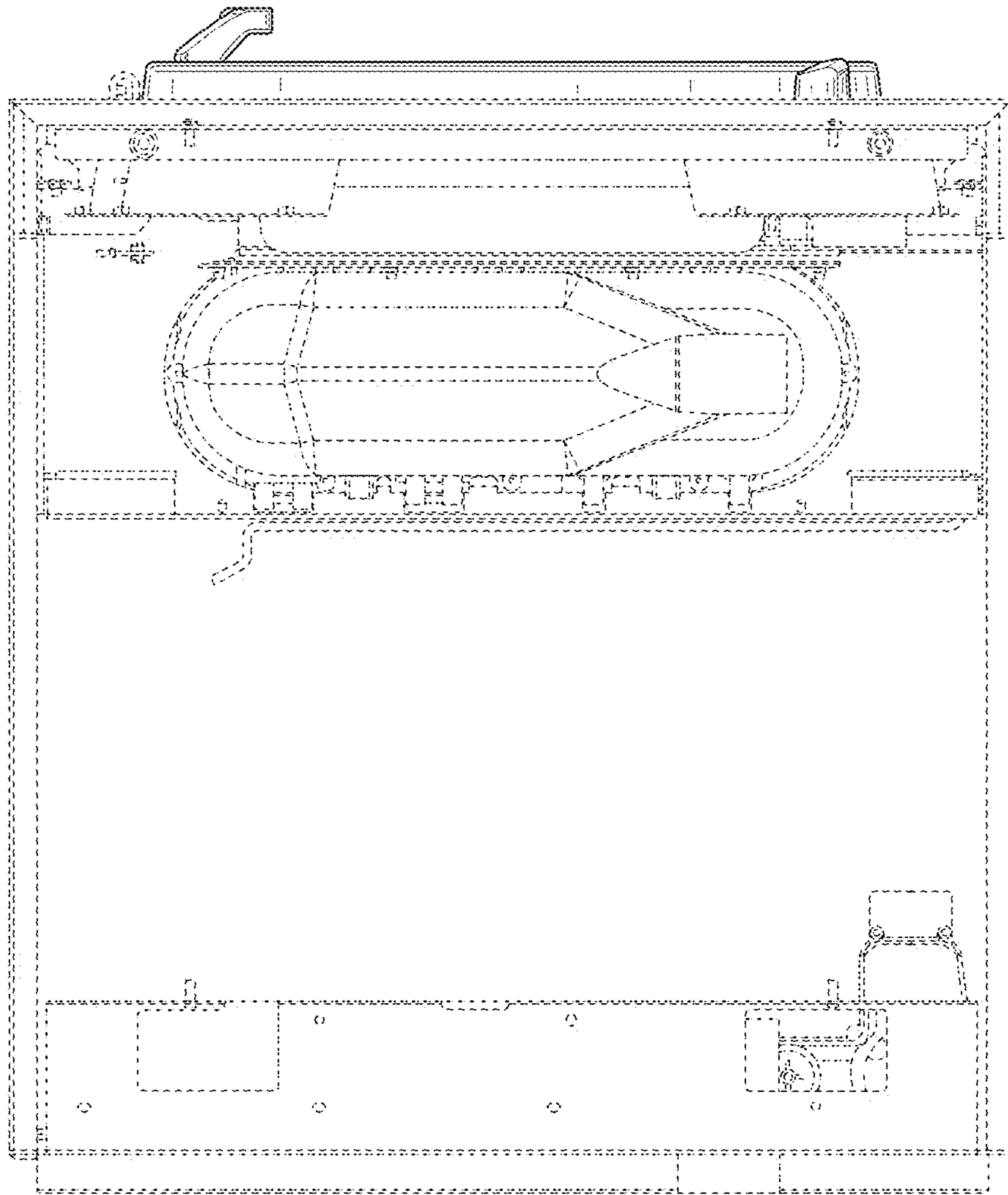


FIG. 7