



US00D878686S

(12) **United States Design Patent**
Alarcon et al.

(10) **Patent No.:** **US D878,686 S**
(45) **Date of Patent:** **** Mar. 17, 2020**

- (54) **FABRIC CARE APPLIANCE**
- (71) Applicant: **WHIRLPOOL CORPORATION**,
Benton Harbor, MI (US)
- (72) Inventors: **Luis Alarcon**, Monterrey (MX); **Seth E. Bixby**, Stevensville, MI (US);
Marco Ali Curti Espinosa, Monterrey (MX); **Richard K. Gresens**, St. Joseph, MI (US); **Brandon Hengesbach**, St. Joseph, MI (US); **Sayer J. Murphy**, St. Joseph, MI (US); **Andres Palomino**, Stevensville, MI (US); **Nicholas Schooley**, Coloma, MI (US)
- (73) Assignee: **Whirlpool Corporation**, Benton Harbor, MI (US)
- (**) Term: **15 Years**
- (21) Appl. No.: **29/610,407**
- (22) Filed: **Jul. 12, 2017**
- (51) **LOC (12) Cl.** **15-05**
- (52) **U.S. Cl.**
USPC **D32/5**
- (58) **Field of Classification Search**
USPC D32/1, 2, 5, 6, 8, 10, 25, 28, 29.1
CPC D06F 29/00; D06F 29/005; D06F 31/00;
D06F 39/12; G07F 17/20
See application file for complete search history.

- (56) **References Cited**
U.S. PATENT DOCUMENTS
D172,386 S * 6/1954 Geldhof D32/5
D216,916 S * 3/1970 Monk D32/5
3,545,235 A * 12/1970 Menk D06F 29/00
68/19.2
3,611,756 A * 10/1971 Brucken D06F 39/001
68/3 R
D271,815 S * 12/1983 Oosawa D32/6

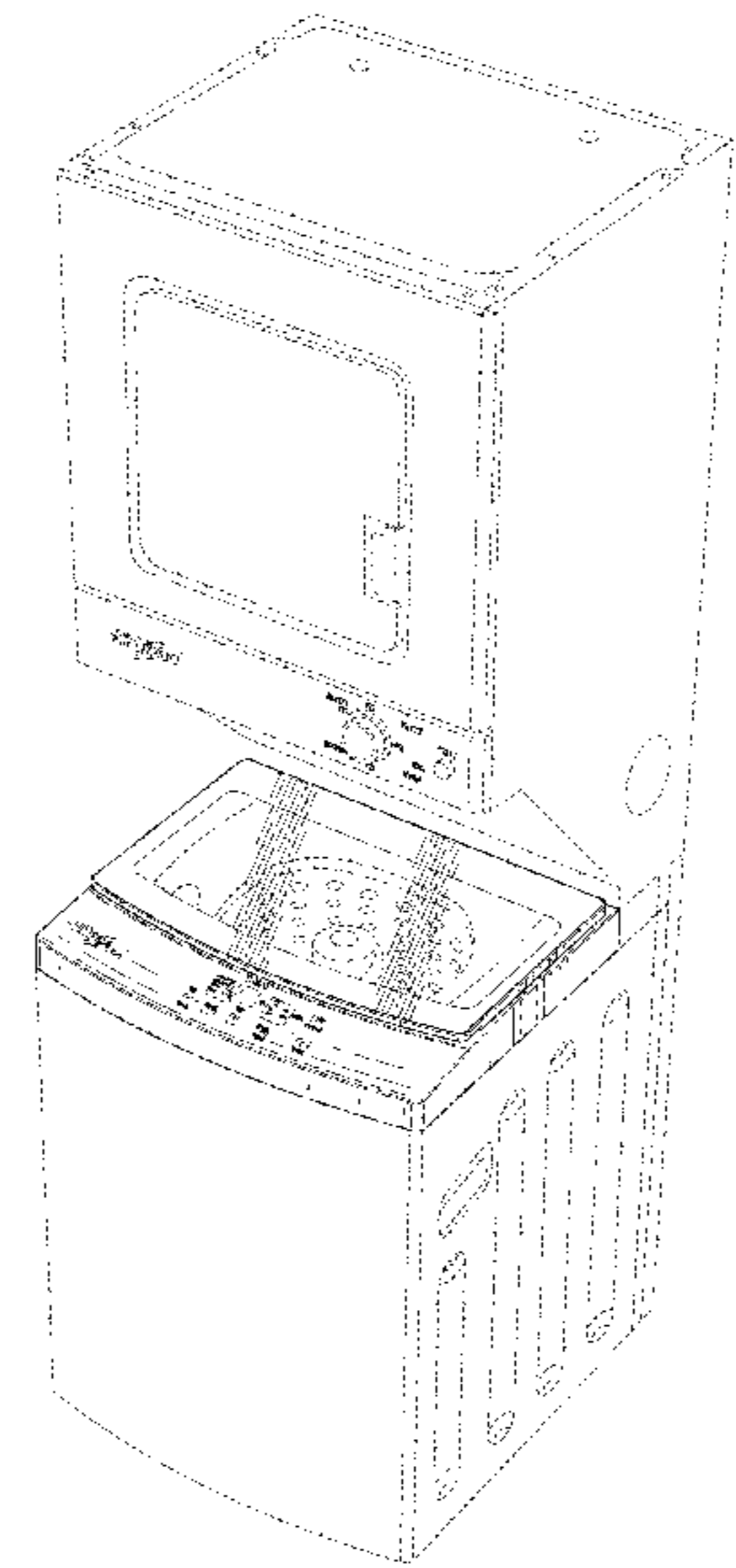
- 4,454,732 A * 6/1984 Burkland D06F 39/12
248/639
- 4,462,225 A * 7/1984 Noe D06F 39/125
248/121
- 4,510,776 A * 4/1985 McNally D06F 37/28
312/139.2
- 4,531,307 A * 7/1985 Kuecker D06F 39/005
34/552
- 4,531,387 A * 7/1985 Cotton D06F 29/00
312/139.2
- D288,737 S * 3/1987 Deatherage D32/5
- 4,680,948 A * 7/1987 Rummel D06F 29/00
312/198
- D298,873 S * 12/1988 Erickson D32/5

Primary Examiner — Michelle E. Wilson
(74) *Attorney, Agent, or Firm* — Price Heneveld LLP

(57) **CLAIM**
The ornamental design for a fabric care appliance, as shown and described.

DESCRIPTION
FIG. 1 is a perspective view of a fabric care appliance according to our new design;
FIG. 2 is a front elevation view thereof;
FIG. 3 is a back elevation view thereof;
FIG. 4 is a right side elevation view thereof;
FIG. 5 is a left side elevation view thereof;
FIG. 6 is a top plan view thereof;
FIG. 7 is a bottom plan view thereof; and,
FIG. 8 is a top plan view thereof with the portion of the article above the line 8-8 in FIG. 4 removed.
The broken line showing of various features is for the purpose of illustrating portions of the fabric care appliance that form no part of the claimed design.
Dash-dot lines adjacent un-shaded areas represent bounds of the claimed design and form no part of the claimed design.
Diagonal shading indicates transparency.

1 Claim, 8 Drawing Sheets



(56)

References Cited

U.S. PATENT DOCUMENTS

D367,135 S *	2/1996	Jackovin	D32/5
D374,521 S *	10/1996	Jackovin	D32/5
D448,271 S *	9/2001	Costello	D8/311
6,671,978 B1 *	1/2004	McGowan	D06F 29/00 34/527
D589,215 S	3/2009	Cho et al.	
D618,865 S	6/2010	Cline et al.	
D627,115 S	11/2010	Jeon et al.	
D631,623 S	1/2011	Chung et al.	
D681,892 S	5/2013	Meda et al.	
D708,800 S	7/2014	Choi et al.	
D718,505 S	11/2014	Hyoungsub et al.	

* cited by examiner

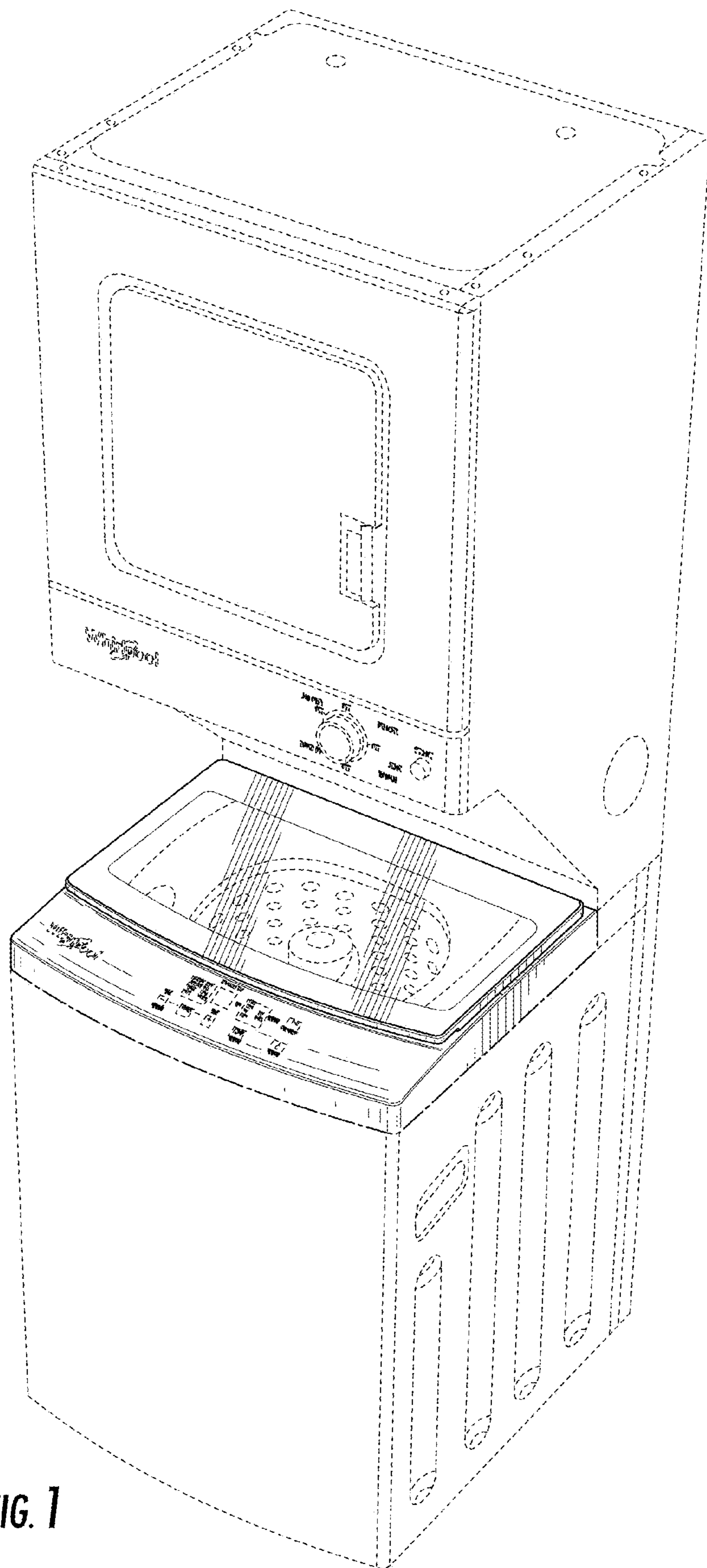


FIG. 1

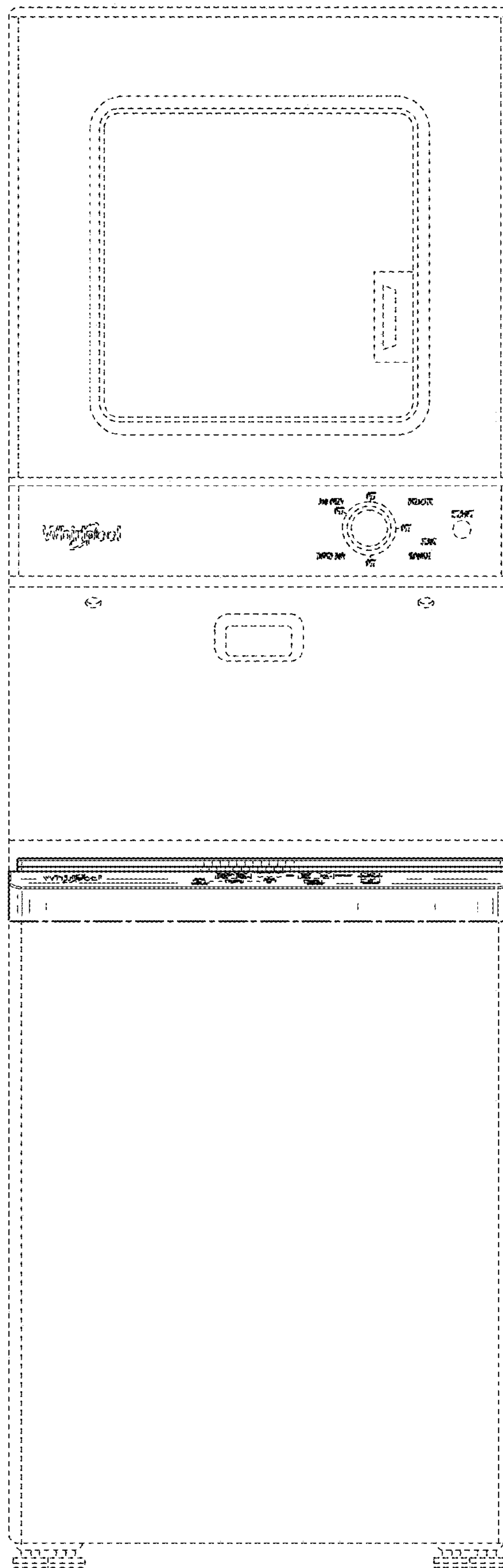


FIG. 2

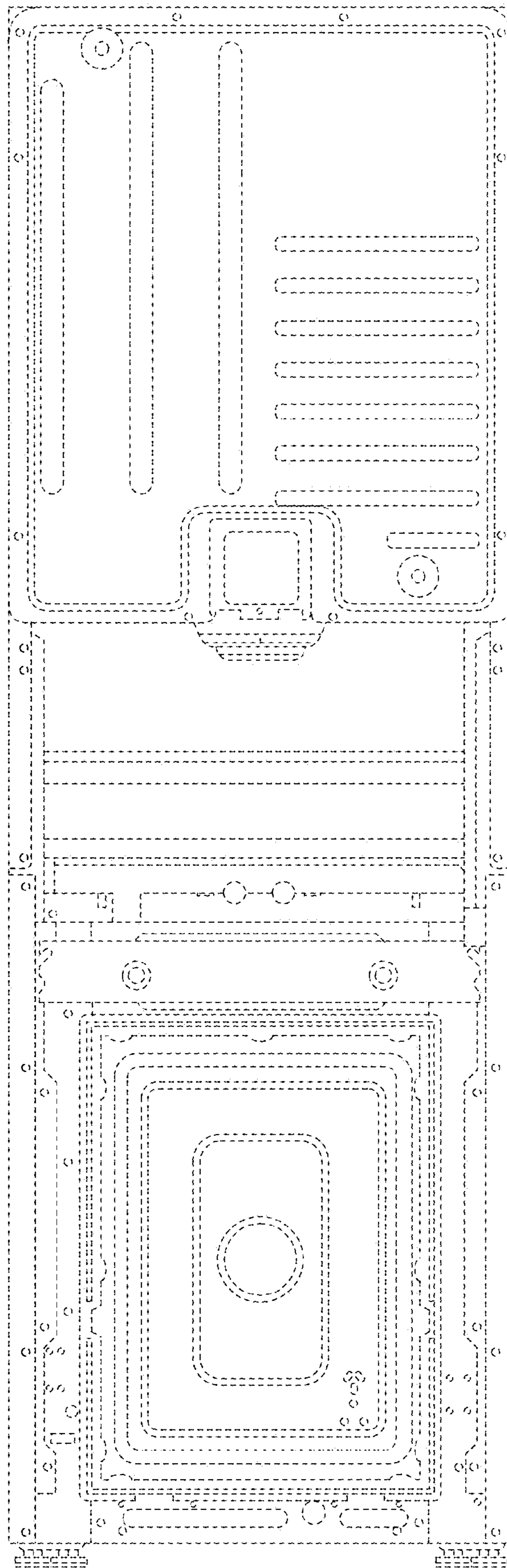


FIG. 3

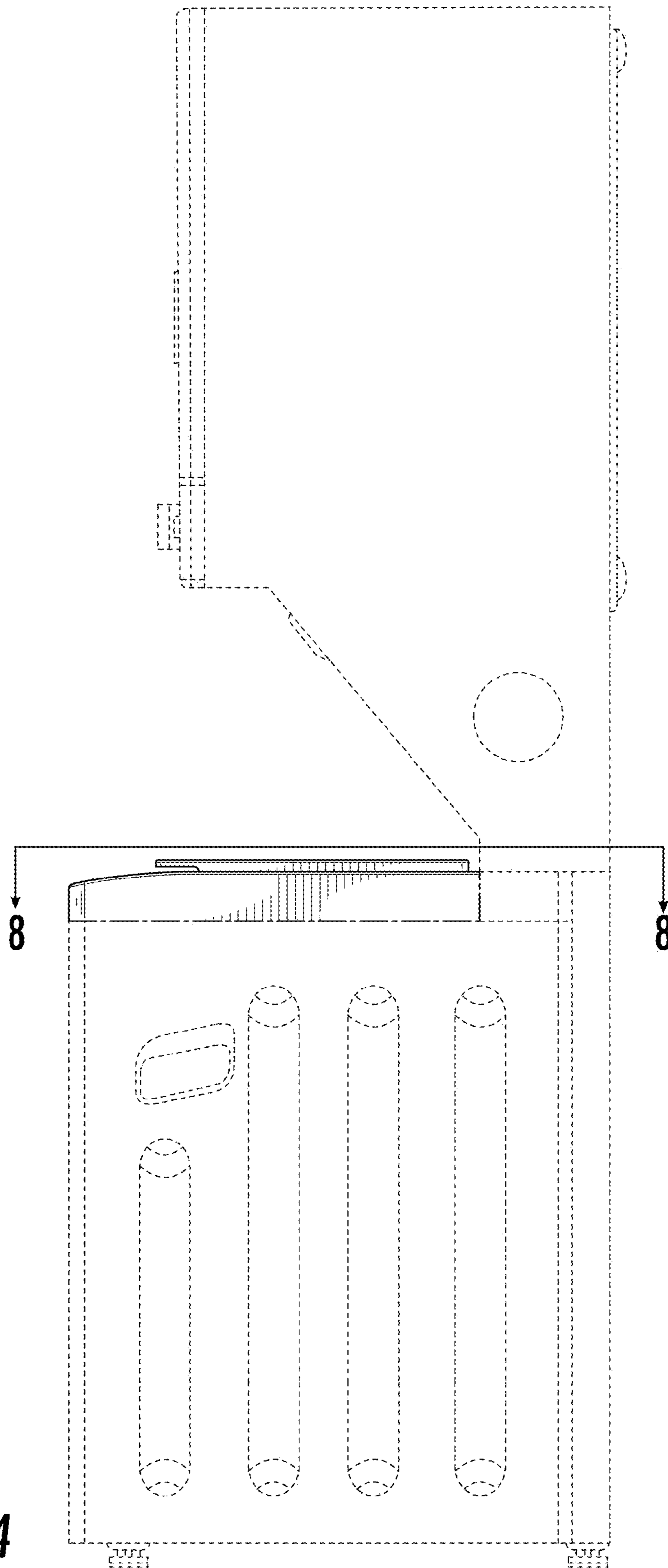


FIG. 4

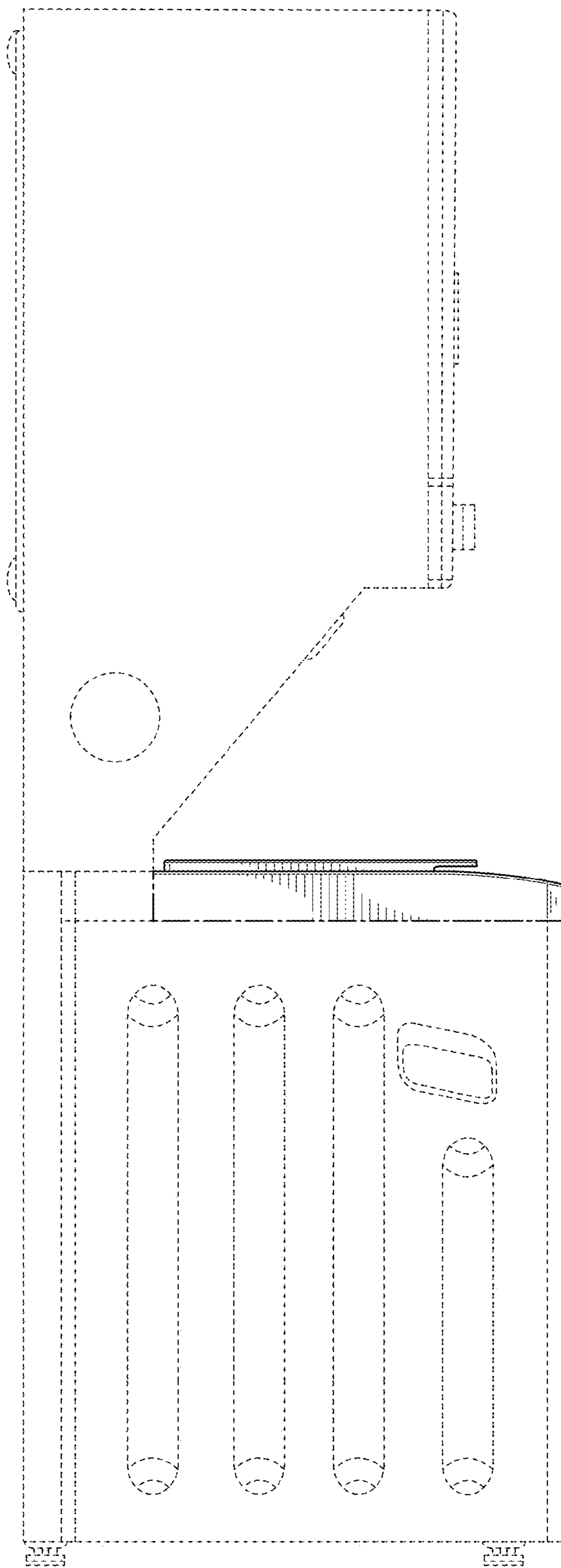


FIG. 5

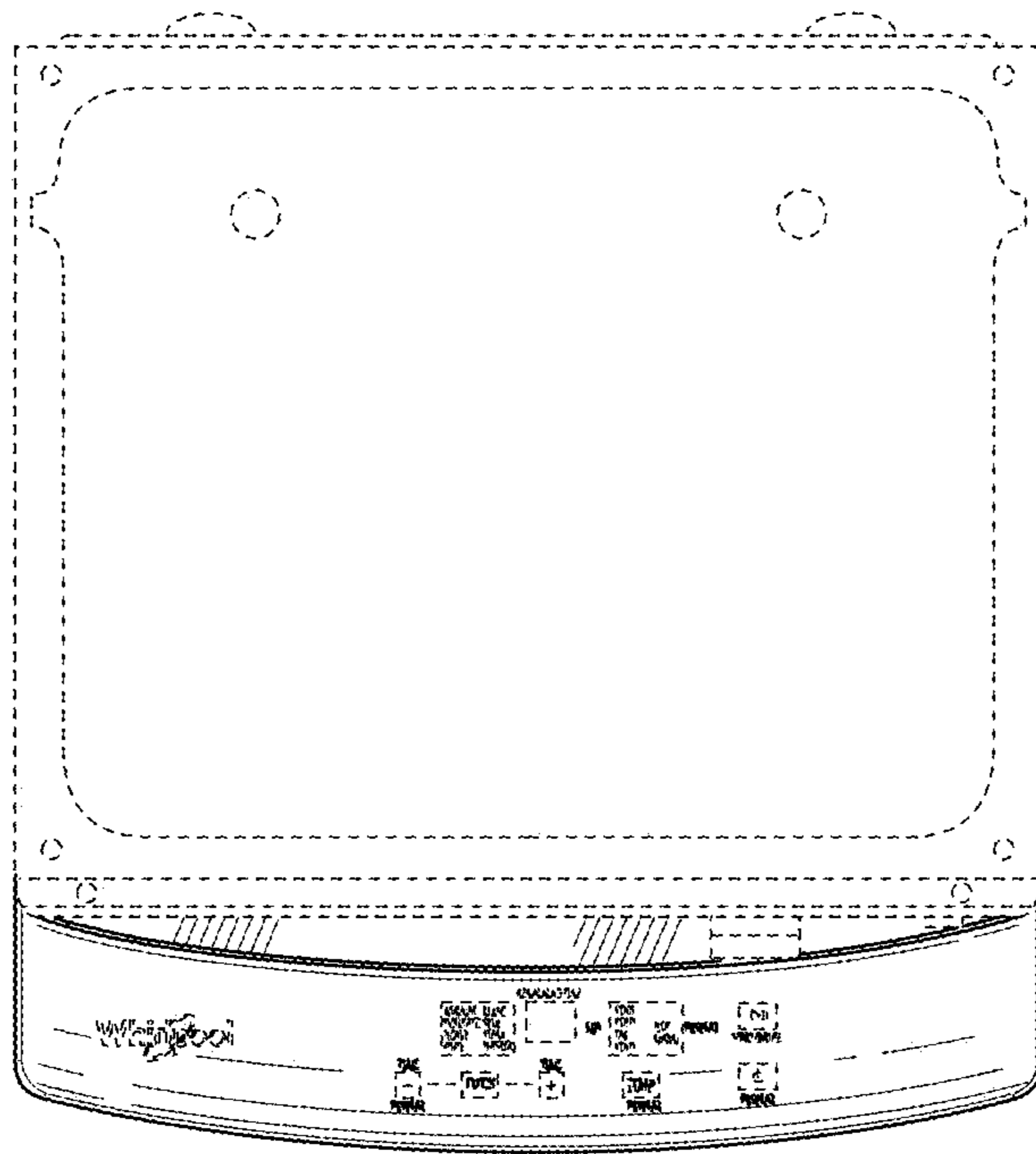


FIG. 6

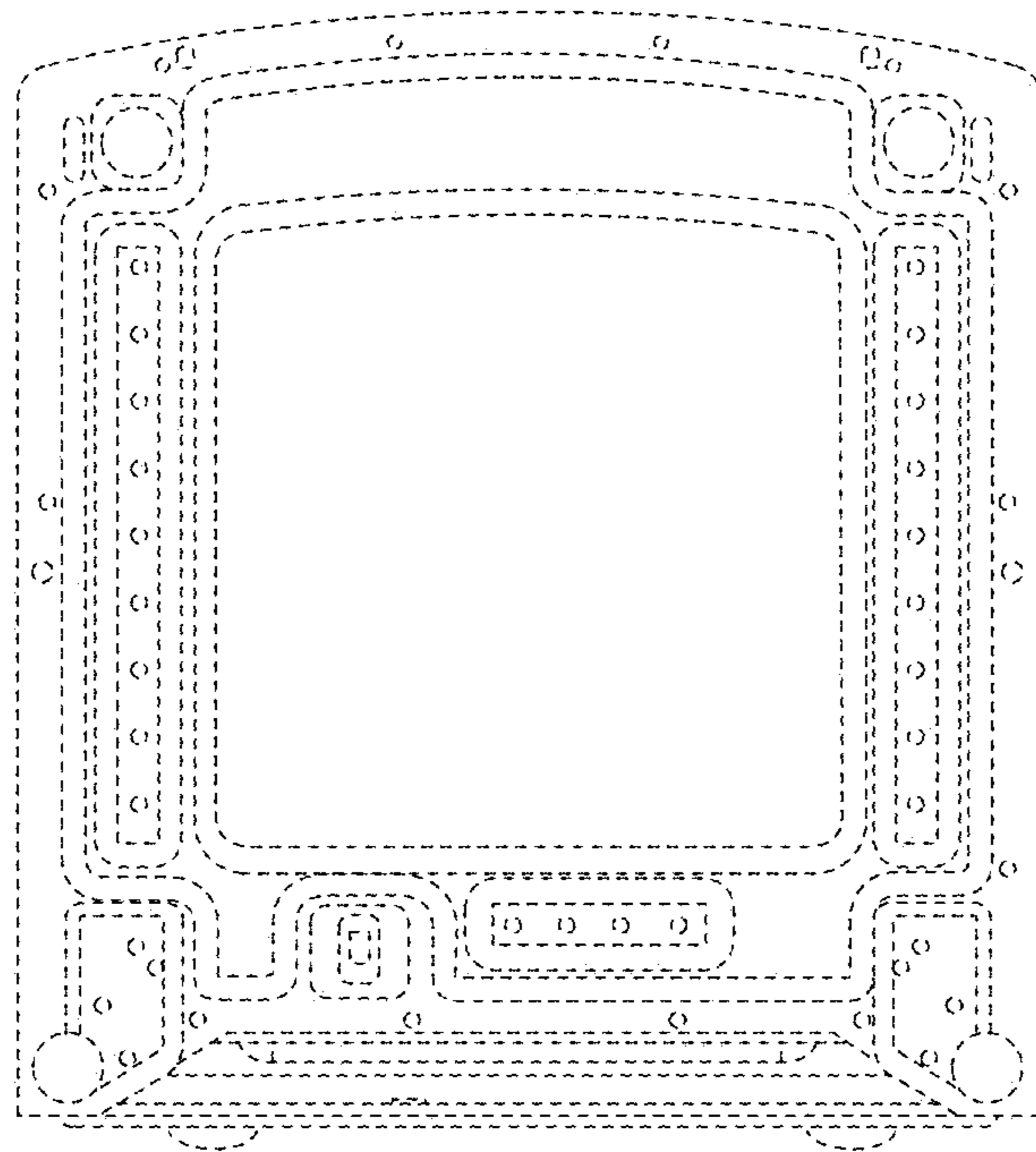


FIG. 7

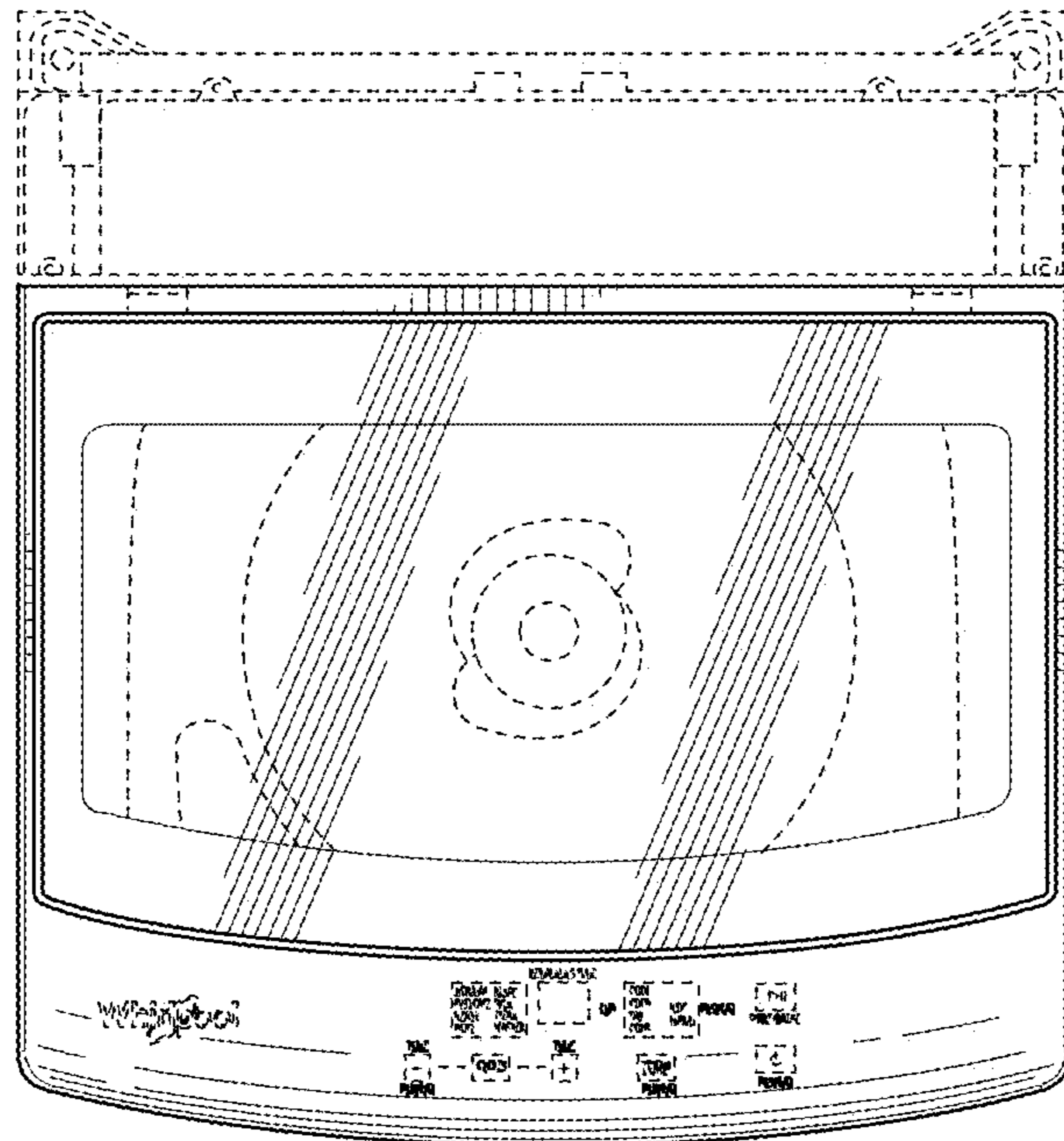


FIG. 8