



US00D878682S

(12) **United States Design Patent**
Truog

(10) **Patent No.:** **US D878,682 S**

(45) **Date of Patent:** **** Mar. 17, 2020**

(54) **BODY CARE DEVICE**

(71) Applicant: **Oliver Truog**, Goldiwil (CH)

(72) Inventor: **Oliver Truog**, Goldiwil (CH)

(**) Term: **15 Years**

(21) Appl. No.: **35/505,310**

(22) Filed: **Jan. 2, 2018**

(80) **Hague Agreement Data**

Int. Filing Date: **Jan. 2, 2018**

Int. Reg. No.: **DM/099341**

Int. Reg. Date: **Jan. 2, 2018**

Int. Reg. Pub. Date: **Jul. 13, 2018**

(30) **Foreign Application Priority Data**

Jul. 5, 2017 (CH) 143352

(51) **LOC (12) Cl.** **28-03**

(52) **U.S. Cl.**
USPC **D28/91.2; D24/214**

(58) **Field of Classification Search**
USPC D28/91.2; D24/188, 200, 211, 212, 213,
D24/214, 119, 206, 215; D8/300-303,
D8/307, 315, 107, 499, 316, 321, 313,
D8/308; D4/122

CPC .. A61H 1/0292; A61H 1/0296; A61H 1/0274;
A61H 1/0281; A61H 7/003; A61H 15/00

See application file for complete search history.

(56) **References Cited**

U.S. PATENT DOCUMENTS

1,431,881 A * 10/1922 Ericson-smith A45D 33/36
132/320

4,574,788 A * 3/1986 Jordan A61H 7/003
601/137

D326,525 S * 5/1992 Shimizu D24/200

D391,645 S * 3/1998 Chien D24/211

D395,099 S * 6/1998 Spies D28/7
D398,401 S * 9/1998 Antoskow D24/211
D400,260 S * 10/1998 Hirakawa D24/215
D549,834 S * 8/2007 Huang D24/211
D602,696 S * 10/2009 Morad D4/122
D610,749 S * 2/2010 Hall D28/91.2

(Continued)

FOREIGN PATENT DOCUMENTS

CN 201330257973 * 6/2013

OTHER PUBLICATIONS

Amazon, Massage Stick, posted Sep. 27, 2016, [online], [visited Apr. 5, 2019]. Internet, <URL: https://www.amazon.co.uk/ResultSport-Handheld-Massage-Nodger-Stick/dp/B01LY085QK/ref=olp_product_details?_encoding=UTF8&me=> (Year: 2016).*

(Continued)

Primary Examiner — Jeffrey D Asch
Assistant Examiner — Samantha N Wood

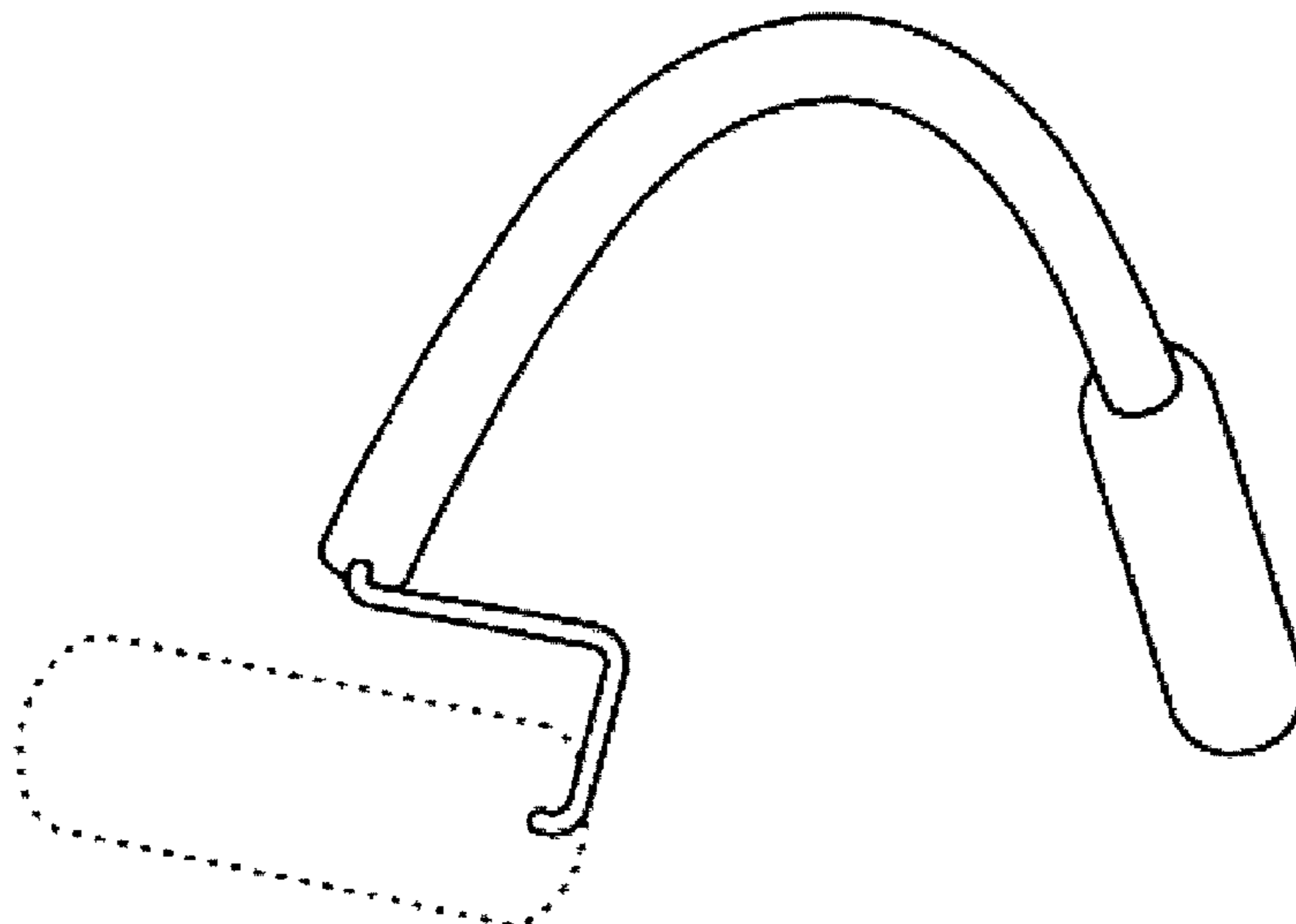
(57) **CLAIM**

The ornamental design for a body care device, as shown and described.

DESCRIPTION

Fig. 1.1 is a perspective view of a body care device;
Fig. 1.2 is a front elevational view of the body care device;
Fig. 1.3 is a rear elevational view of the body care device;
Fig. 1.4 is a first side elevational view of the body care device;
Fig. 1.5 is a second side elevational view of the body care device;
Fig. 1.6 is a top plan view of the body care device; and
Fig. 1.7 is a bottom plan view of the body care device.
The broken line portions of the article in Figs. 1.2 is rendered as transparent, so the shape of the handle is clearly disclosed from the front elevation. Figs. 1.2 and 1.3 are shown rotated to the right.

1 Claim, 7 Drawing Sheets



(56)

References Cited

U.S. PATENT DOCUMENTS

D625,467 S * 10/2010 Dickman D28/7
D630,856 S * 1/2011 Arvinte D4/122
D741,604 S * 10/2015 Typrowicz D4/122
D768,307 S * 10/2016 Hetzel D24/214
2005/0201811 A1* 9/2005 Russell A45D 34/041
401/6
2006/0253054 A1* 11/2006 Wright A61H 7/003
601/137
2017/0273855 A1* 9/2017 Liu A61H 7/003

OTHER PUBLICATIONS

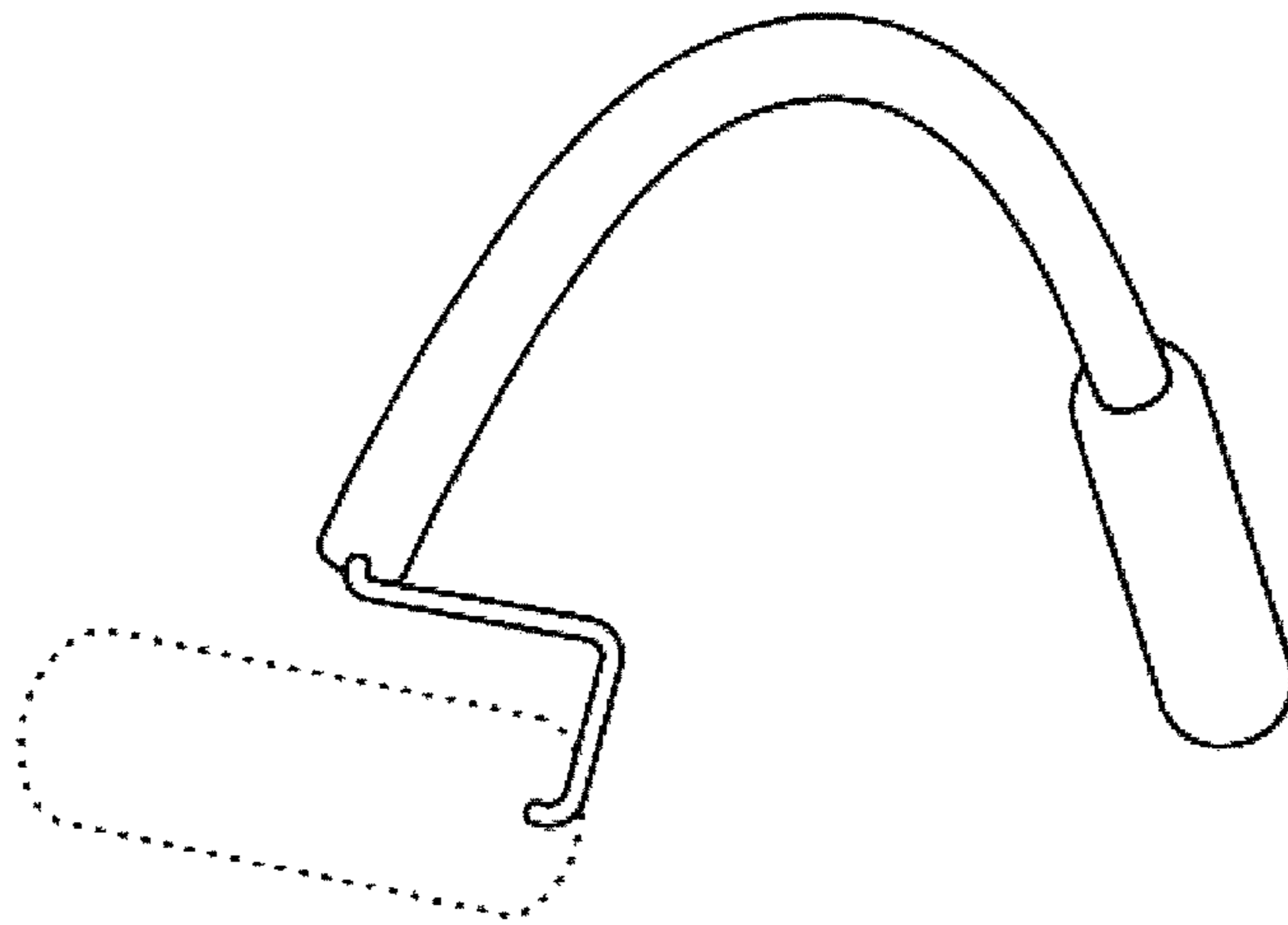
Amazon, Radiator Roller kit, posted Jan. 11, 2007, [online], [visited Apr. 5, 2019]. Internet, <URL: https://www.amazon.co.uk/Faithfull-RRADKIT-4-inch-Radiator-Refills/dp/B000C753ZI/ref=olp_product_details?_encoding=UTF8&me=> (Year: 2007).*

Amazon, Ball launcher, posted Aug. 26, 2009, [online], [visited Apr. 5, 2019]. Internet, <URL: https://www.amazon.co.uk/Chuckit-Ultra-Grip-Launcher-Medium/dp/B000MW7EUV/ref=sr_1_46?keywords=throwing+toy&qid=1554499100&s=gateway&sr=8-46> (Year: 2009).*

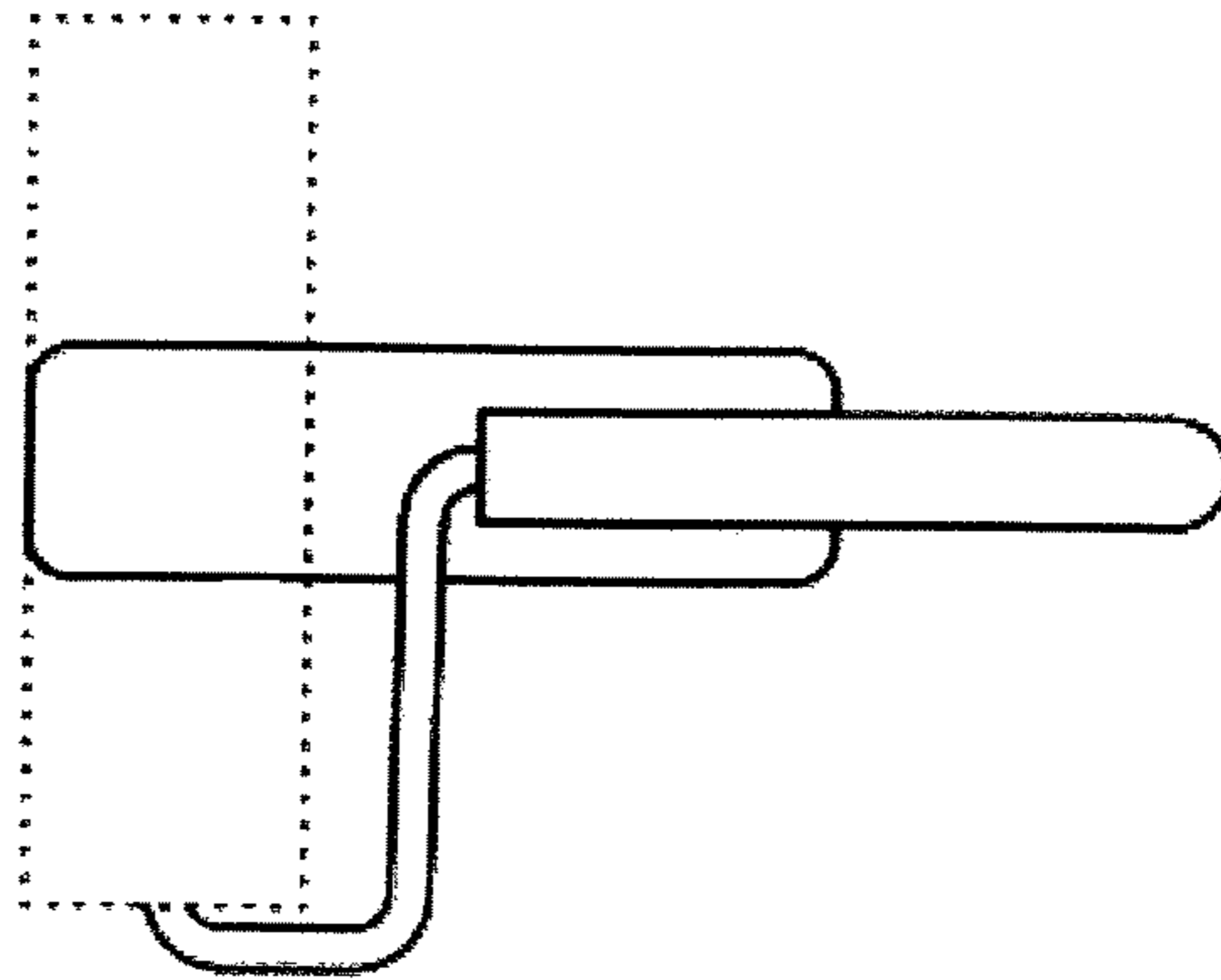
Amazon, Performance Health 66cm Backstratcher, posted Nov. 16, 2010, [online], [visited Nov. 7, 2019]. Internet, <URL: https://www.amazon.co.uk/Performance-Health-66-Reacher-Backscratcher/dp/B004CLQYG2/ref=sr_1_105?keywords=back+scratcher&qid=1573138930&sr=8-105> (Year: 2010).*

* cited by examiner

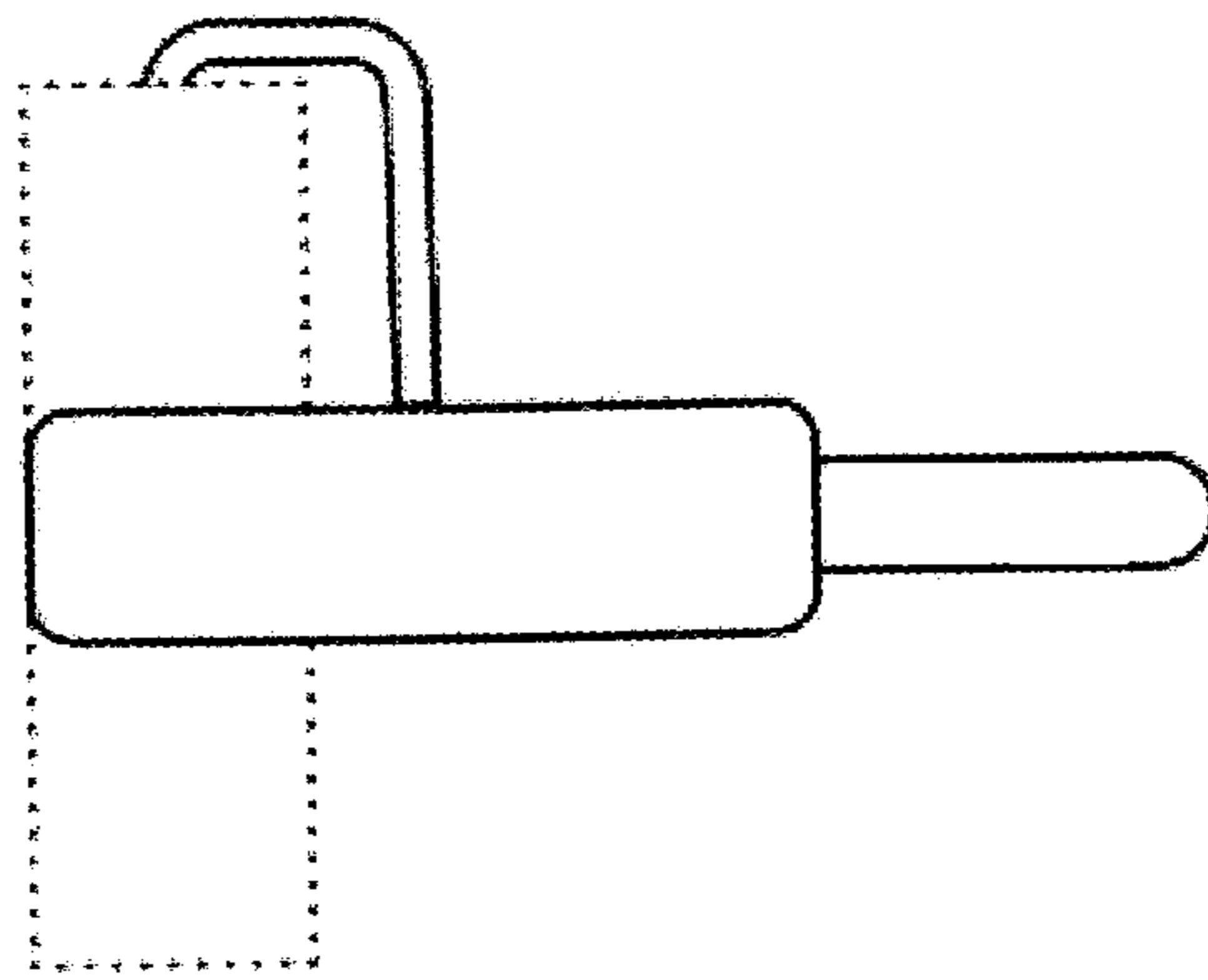
1.1



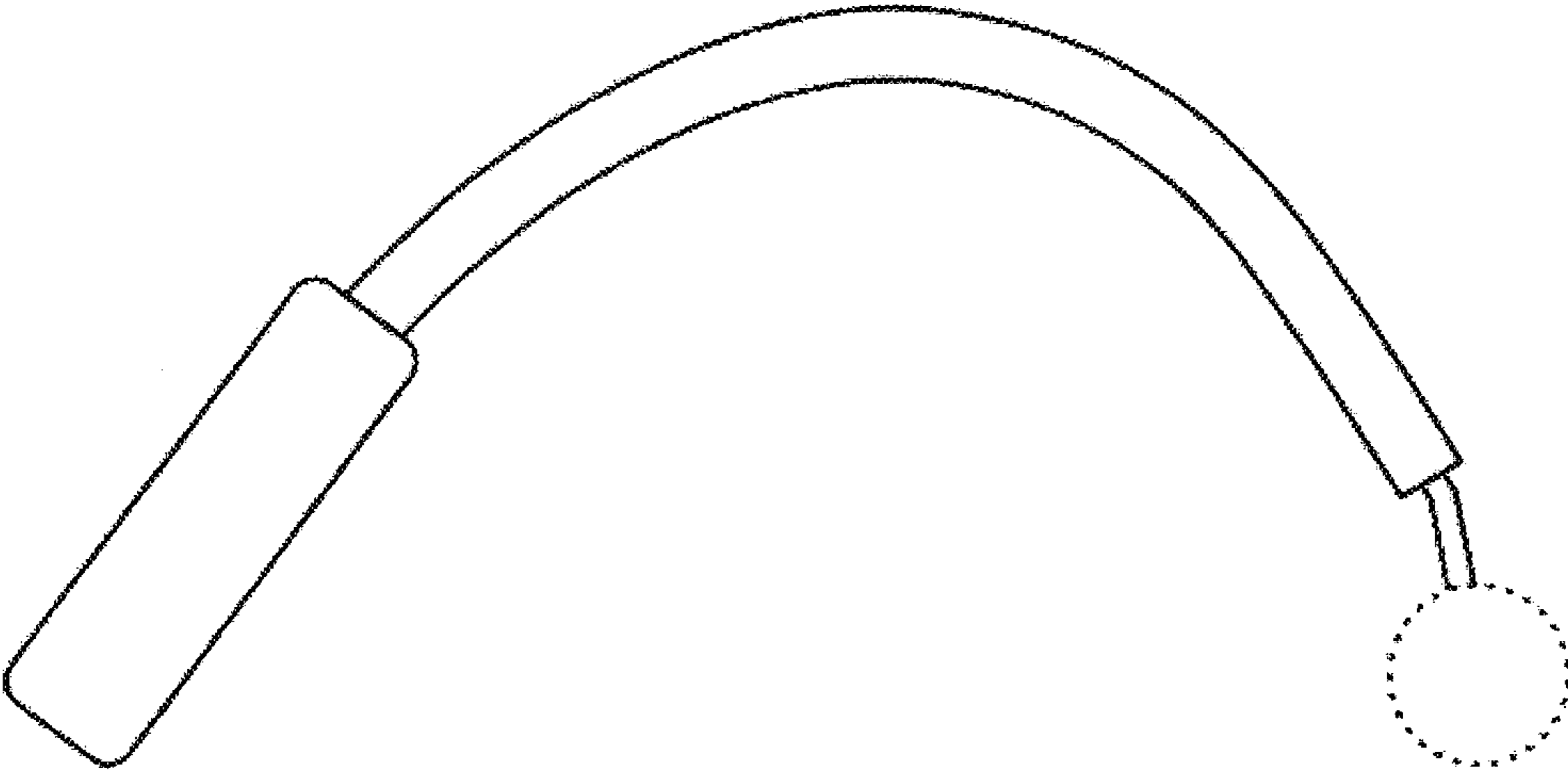
1.2



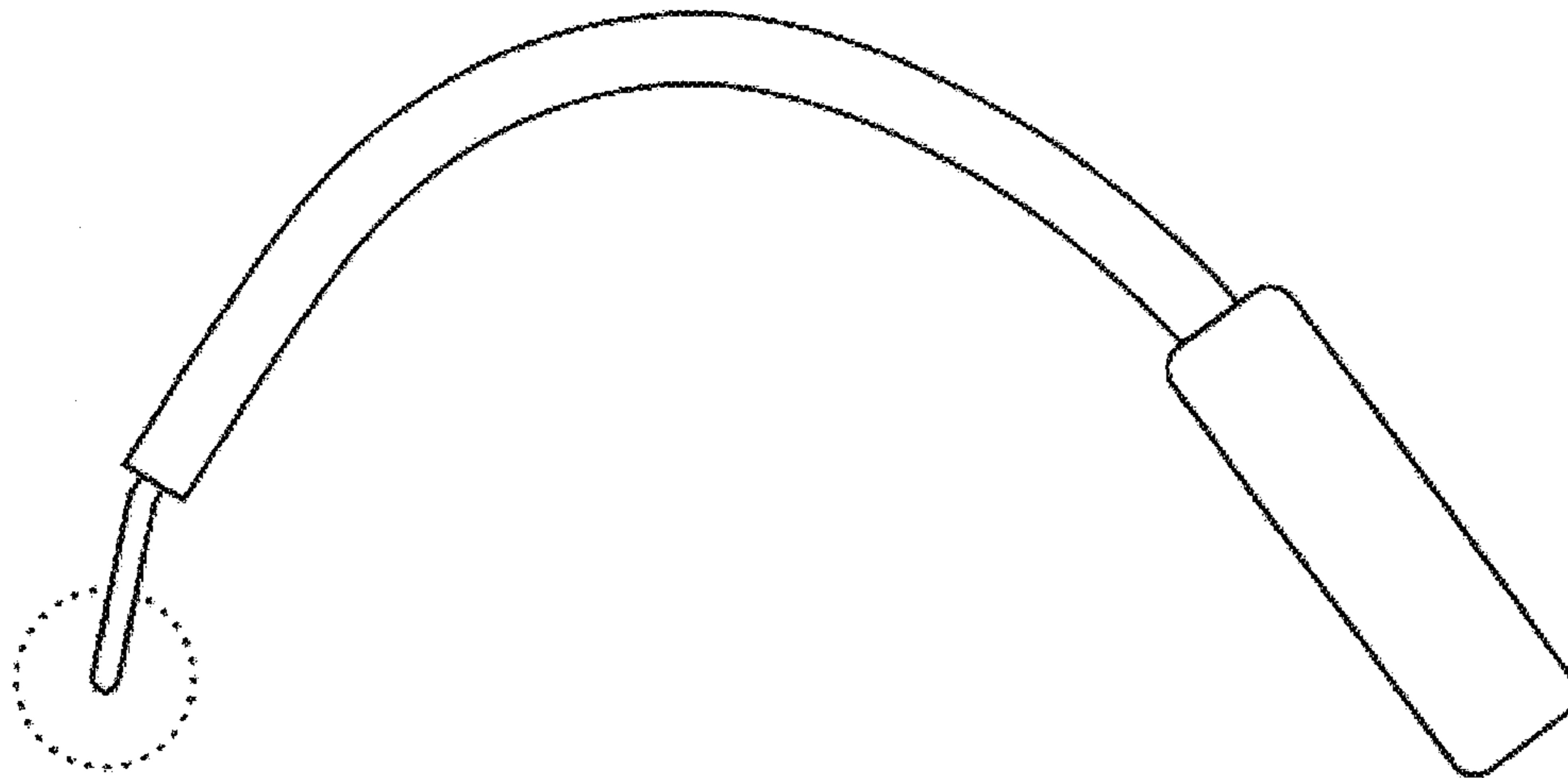
1.3



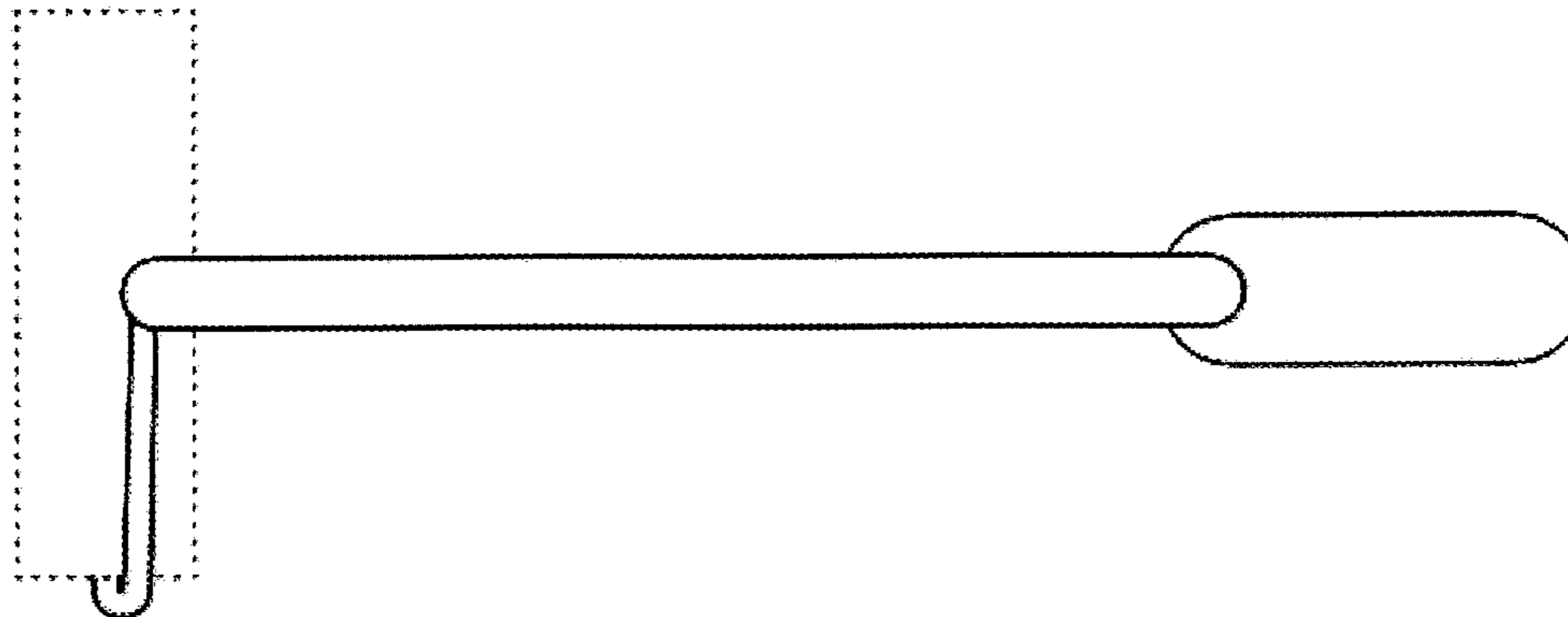
1.4



1.5



1.6



1.7

