



US00D878680S

(12) **United States Design Patent** (10) **Patent No.:** **US D878,680 S**
Ouyang et al. (45) **Date of Patent:** **** Mar. 17, 2020**

(54) **FINGERNAIL DRYER**
(71) Applicant: **SHENZHEN UVLED OPTICAL TECHNOLOGY CO., LTD.**, Shenzhen (CN)

D640,578 S * 6/2011 Aihara D10/65
D647,093 S * 10/2011 Kim D14/407
D647,920 S * 11/2011 Luo D14/203.3
D648,724 S * 11/2011 Andre D14/408
(Continued)

(72) Inventors: **Chenyi Ouyang**, Shenzhen (CN);
Zhulin Bai, Shenzhen (CN)
(73) Assignee: **SHENZHEN UVLED OPTICAL TECHNOLOGY CO., LTD.**, Shenzhen (CN)

FOREIGN PATENT DOCUMENTS

CN 304272330 * 9/2017

(**) Term: **15 Years**

OTHER PUBLICATIONS

Sun Mini 2 UV Nail Lamp, published on youtube.com on Dec. 21, 2016 by Juls Beauty Nails © Standard YouTube License, online, site visited Feb. 13, 2018. Available from Internet, URL: <https://www.youtube.com/watch?v=k-yumuPzYad4> (Year: 2016).*

(21) Appl. No.: **29/590,975**

Primary Examiner — Marissa J Cash
Assistant Examiner — Altaira J Swangin

(22) Filed: **Jan. 14, 2017**

(30) **Foreign Application Priority Data**

Dec. 20, 2016 (CN) 2016 3 0631021

(51) **LOC (12) Cl.** **28-03**

(52) **U.S. Cl.**
USPC **D28/58**

(58) **Field of Classification Search**
USPC D28/12, 19, 54.1, 57-58, 61, 78, 82,
D28/88-89, 91; 34/90, 104, 202, 231;
250/455.11, 515.1, 494.1, 504, 504 R;
132/73-75; D26/35, 102
CPC . F26B 9/003; F26B 3/28; A45D 29/22; A45D
29/20; A45D 2200/205
See application file for complete search history.

(57) **CLAIM**

The ornamental design for a fingernail dryer, as shown and described.

(56) **References Cited**

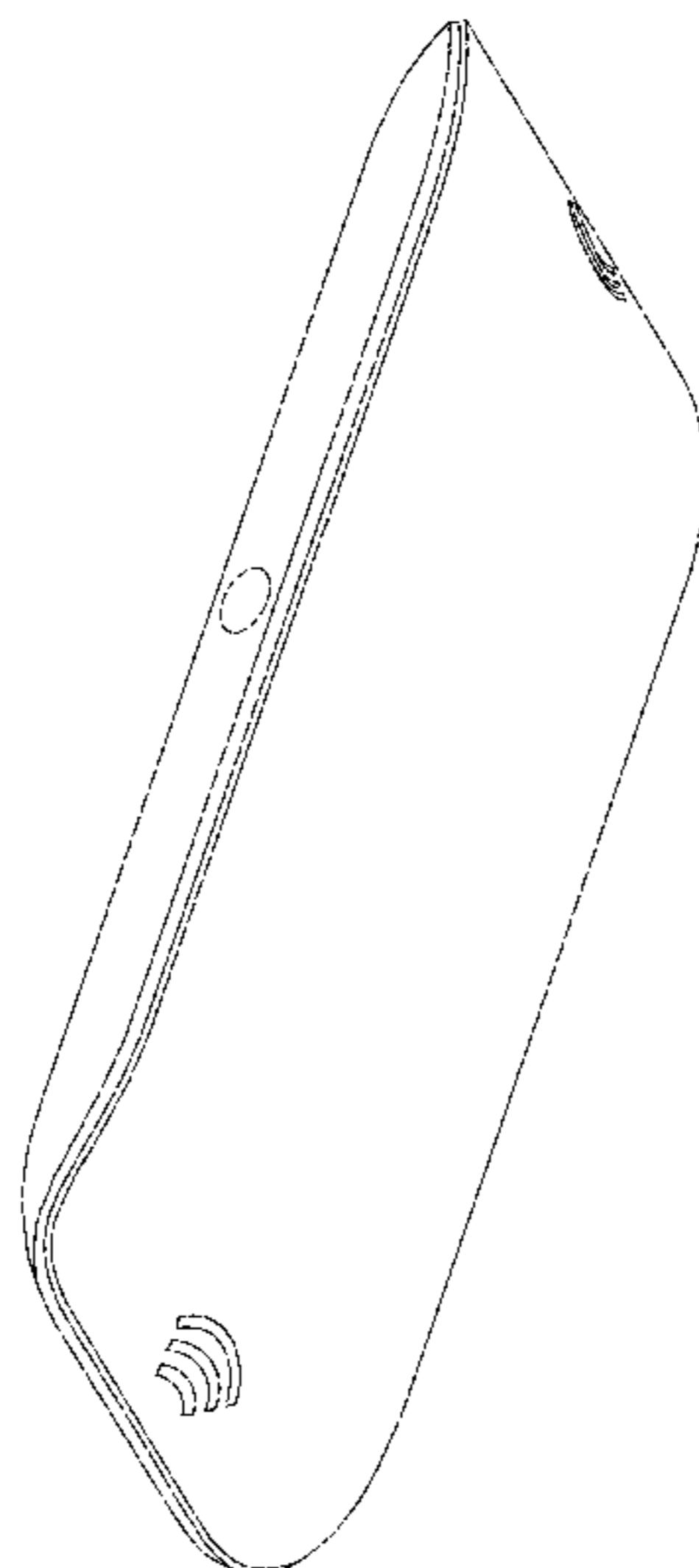
U.S. PATENT DOCUMENTS

D457,981 S * 5/2002 Yeh D26/76
D516,236 S * 2/2006 Yeh D26/89
D549,367 S * 8/2007 Hovind D26/28
D549,683 S * 8/2007 Cho D14/138 AD
D559,430 S * 1/2008 Kuo D26/28
D589,382 S * 3/2009 Gretton D10/65
D633,237 S * 2/2011 Wang D26/26

DESCRIPTION

FIG. 1 is a front view of an ornamental design for a fingernail dryer showing our new design;
FIG. 2 is a rear view of an ornamental design for the fingernail dryer thereof;
FIG. 3 is a left side view of an ornamental design for the fingernail dryer thereof;
FIG. 4 is a right side view of an ornamental design for the fingernail dryer thereof;
FIG. 5 is a top plan view of an ornamental design for the fingernail dryer thereof;
FIG. 6 is a bottom plan view of an ornamental design for the fingernail dryer thereof; and,
FIG. 7 is a top right perspective view of an ornamental design for the fingernail dryer according to our invention. The portions of the fingernail dryer, shown in broken lines, form no part of the claimed design.

1 Claim, 6 Drawing Sheets



(56)

References Cited

U.S. PATENT DOCUMENTS

D662,096 S * 6/2012 Yu D14/407
 D667,740 S * 9/2012 Leung D10/50
 D670,427 S * 11/2012 Henderson D26/118
 D684,296 S * 6/2013 Henderson D26/118
 D687,600 S * 8/2013 Cheng D28/54.1
 D689,494 S * 9/2013 Widiaman D14/408
 D690,039 S * 9/2013 Wilson D26/28
 D691,764 S * 10/2013 Sieczkowski D26/120
 D697,500 S * 1/2014 Tsai D14/218
 D707,396 S * 6/2014 Kim D28/54.1
 D707,888 S * 6/2014 Kim D28/54.1
 D729,246 S * 5/2015 Andre D14/408
 D731,097 S * 6/2015 Dai D26/26
 D735,910 S * 8/2015 Chang D26/28
 D752,013 S * 3/2016 Benedetti D14/204
 D753,869 S * 4/2016 Prijic D26/120
 D757,347 S * 5/2016 Chen D26/120
 D757,728 S * 5/2016 Schoeck D14/407
 D762,888 S * 8/2016 Luke D26/28
 D763,789 S * 8/2016 Mchatet D13/107

D766,243 S * 9/2016 Andre D14/408
 D766,476 S * 9/2016 Liu D26/28
 D774,254 S * 12/2016 Hess D28/83
 D783,194 S * 4/2017 Camarota D26/89
 D790,455 S * 6/2017 McGarry D13/107
 9,851,084 B2 * 12/2017 Dai F21V 23/06
 D814,949 S * 4/2018 Clapper D10/46
 D819,256 S * 5/2018 Campagna D26/89
 9,961,985 B2 * 5/2018 Shigeno A45D 44/18
 D820,844 S * 6/2018 Jones D14/407
 D821,399 S * 6/2018 Jones D14/402
 D832,253 S * 10/2018 Delibie D14/358
 D833,435 S * 11/2018 Andre D14/408
 D840,106 S * 2/2019 Ouyang D28/58
 D853,033 S * 7/2019 Ouyang D28/58
 D853,034 S * 7/2019 Ouyang D28/58
 2014/0173927 A1 * 6/2014 Kim A45D 29/00
 34/275
 2014/0237845 A1 * 8/2014 Llim A45D 29/20
 34/275
 2015/0153011 A1 * 6/2015 Heyer F21L 4/08
 362/190

* cited by examiner

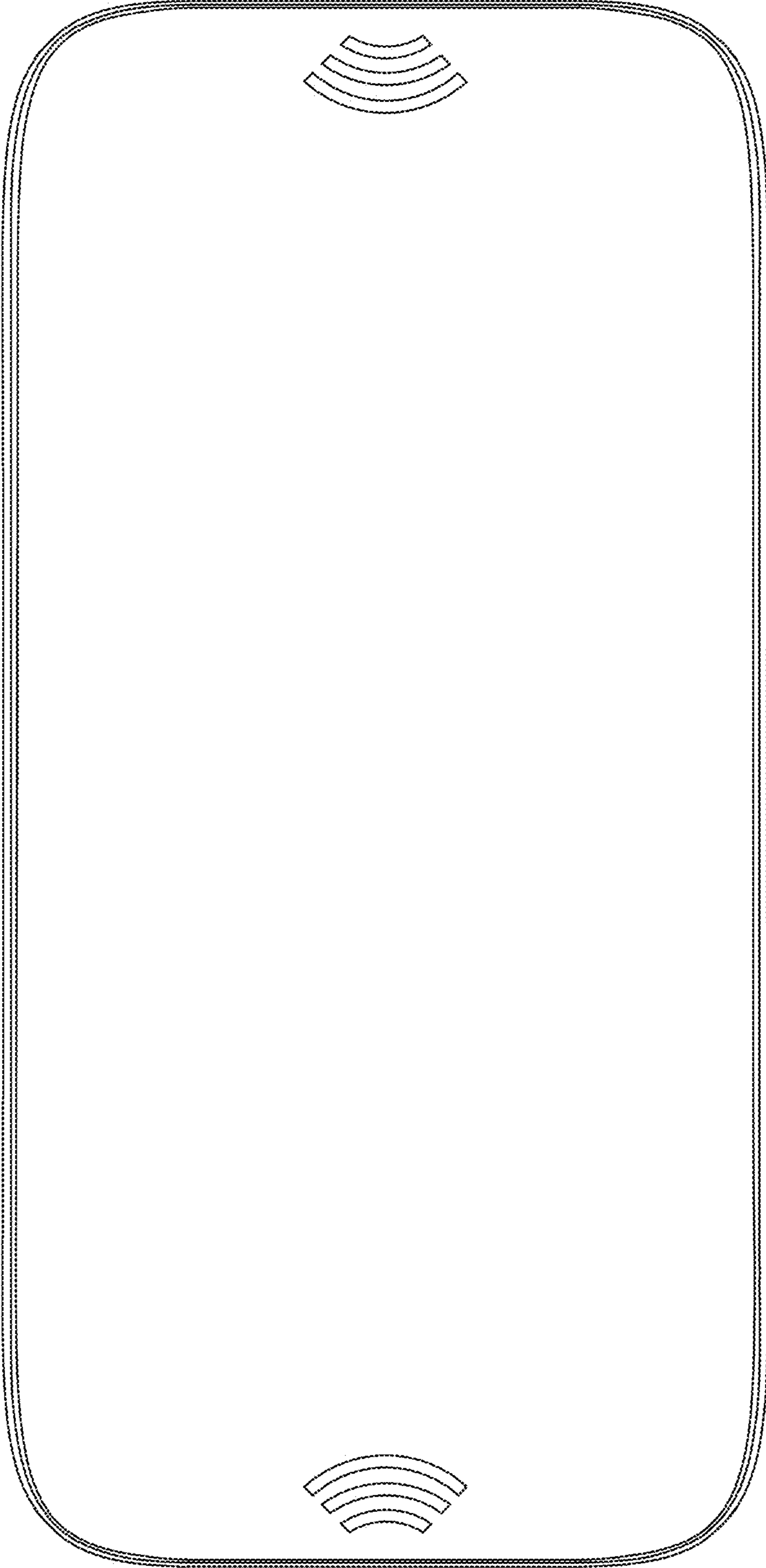


FIG. 1

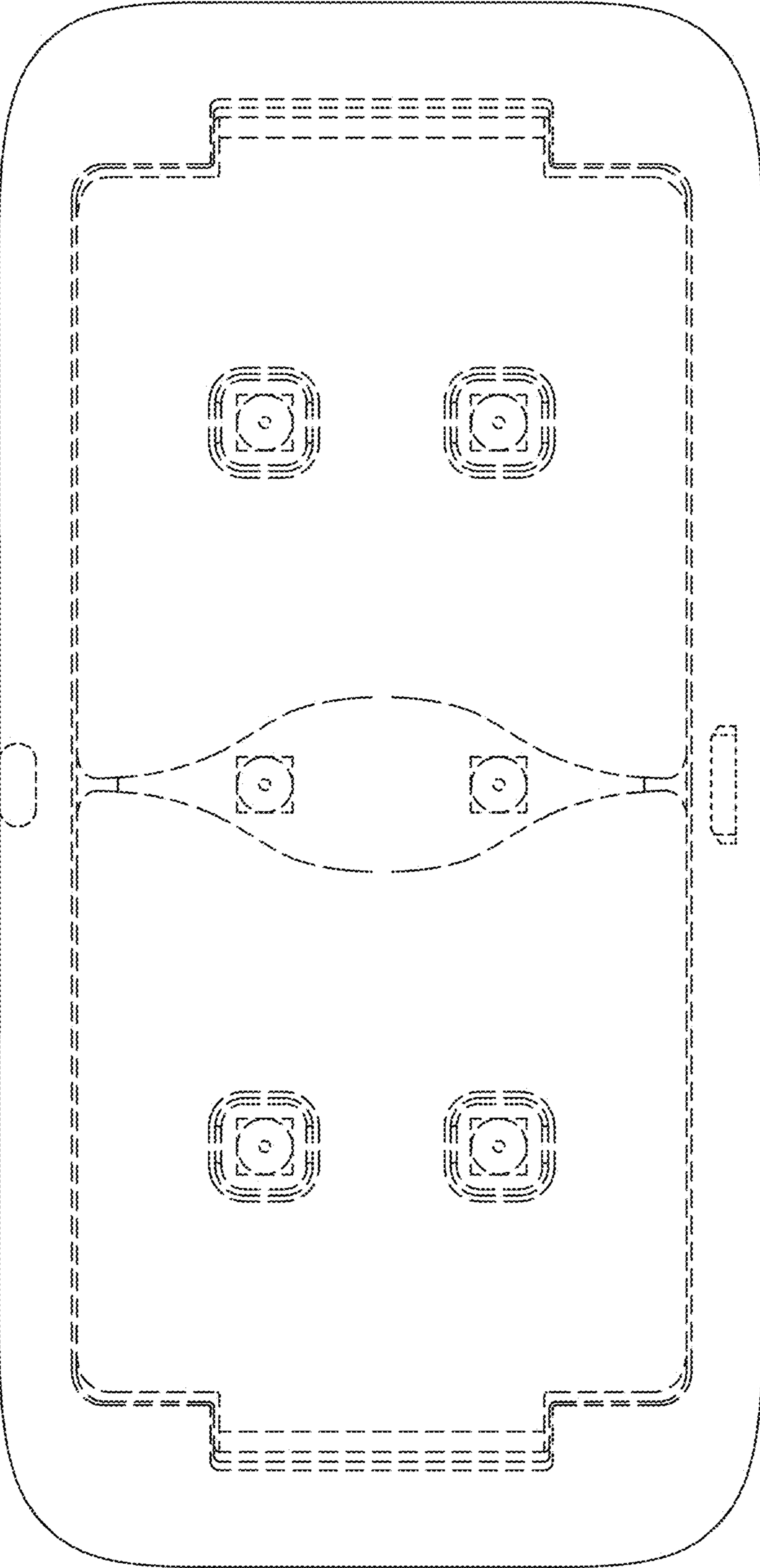


FIG. 2

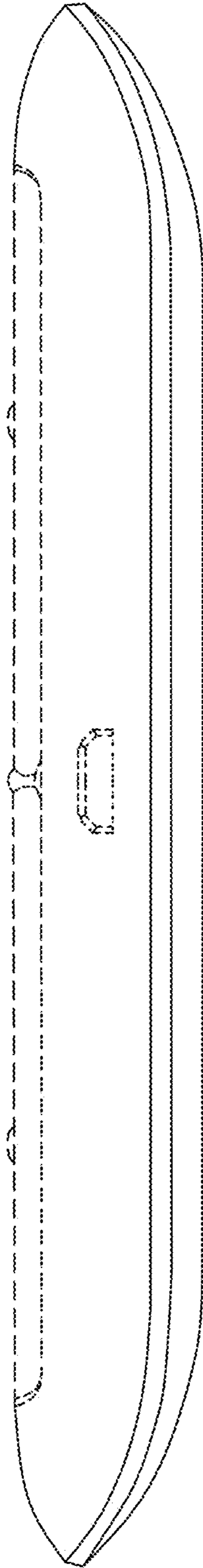


FIG. 3

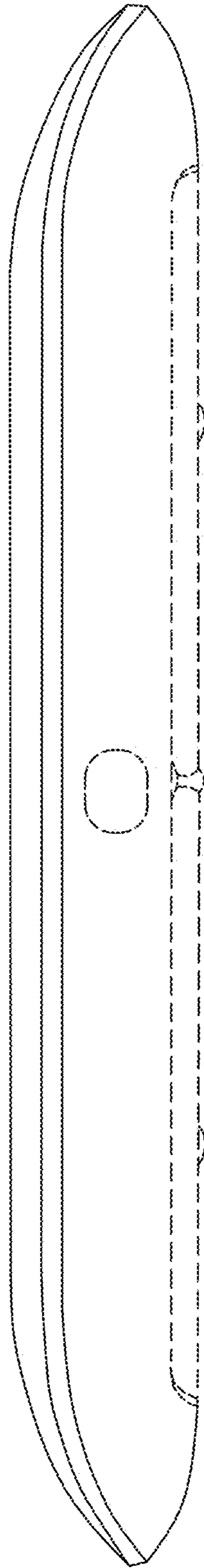


FIG. 4

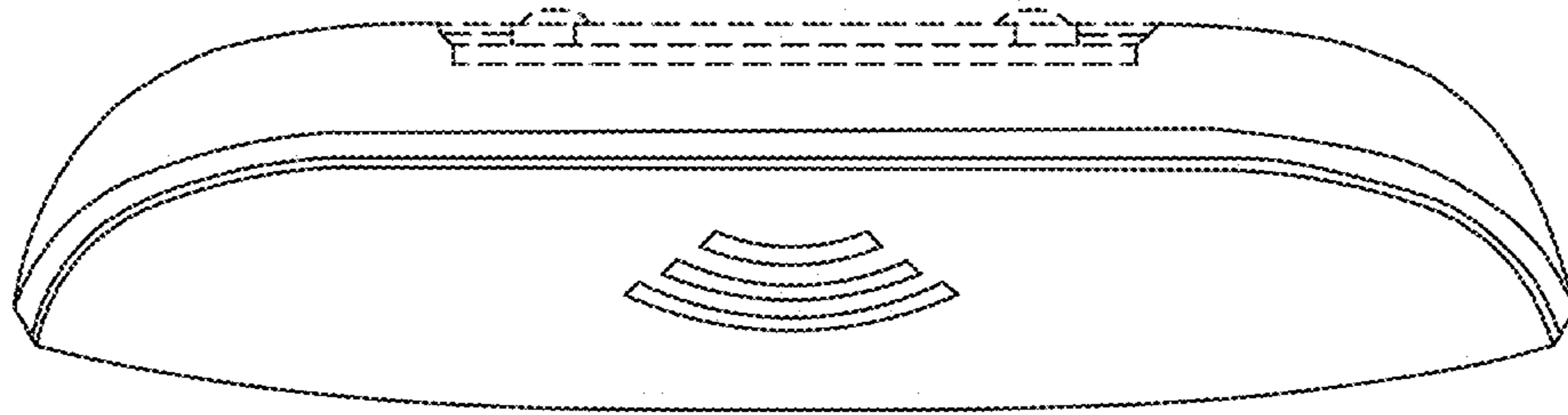


FIG. 5

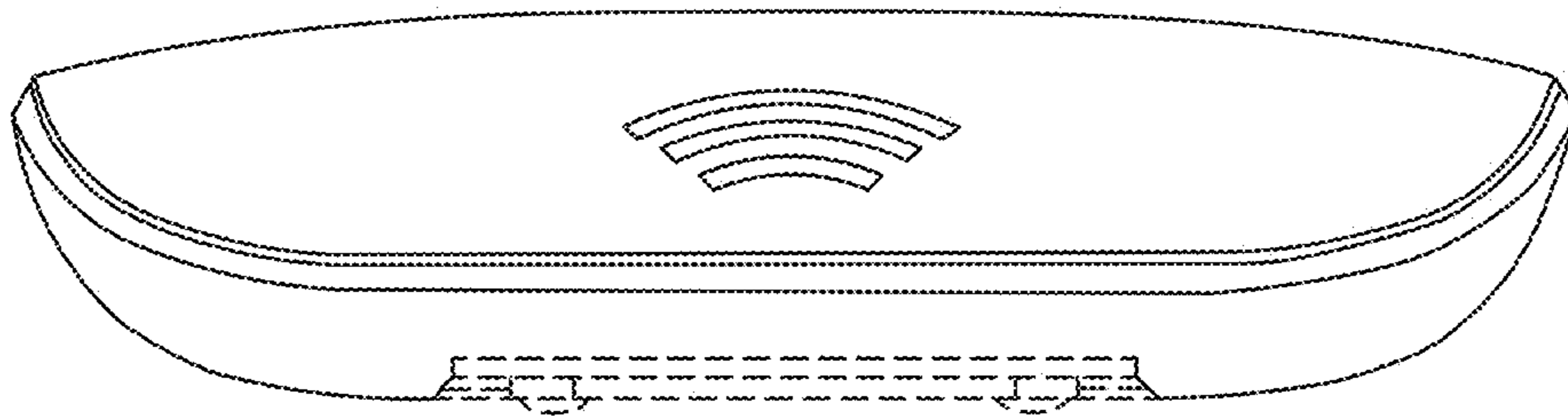


FIG. 6

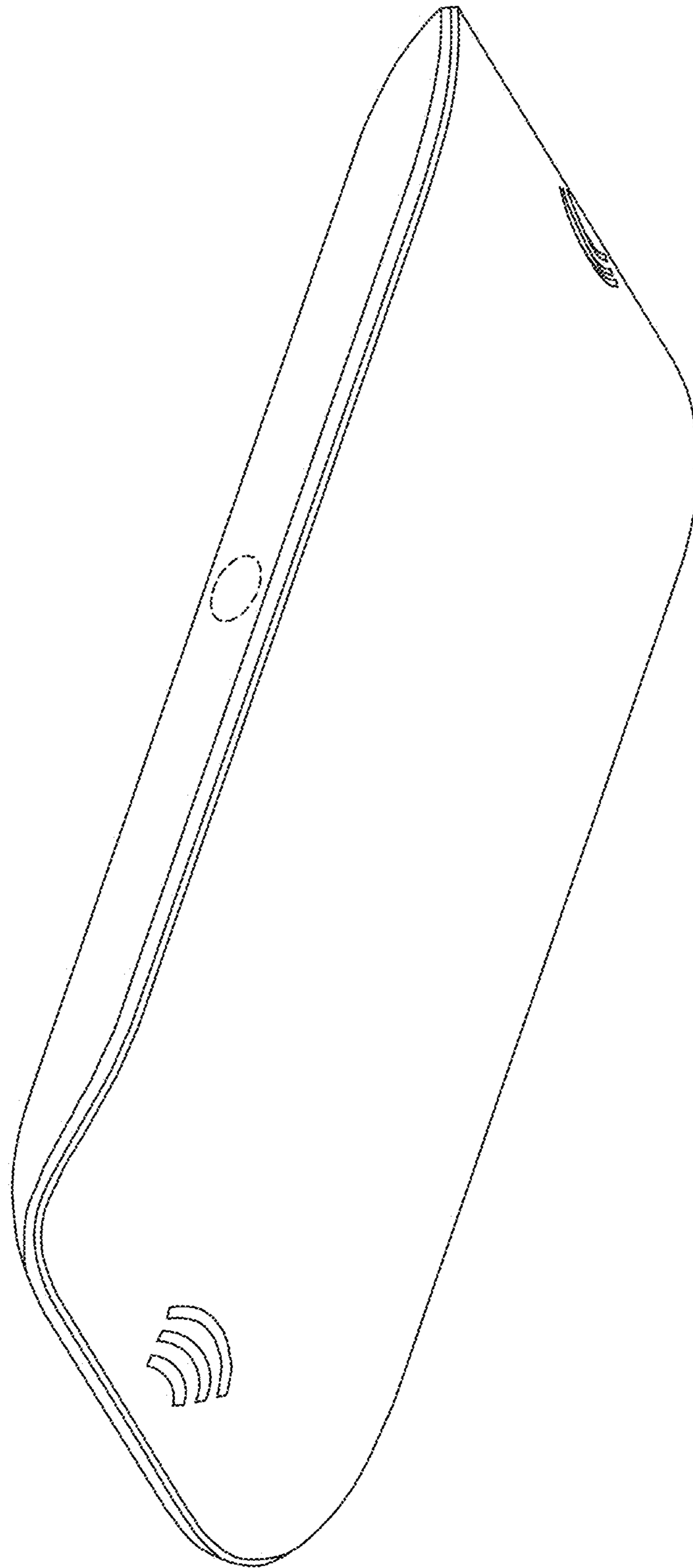


FIG. 7