



US00D878673S

(12) **United States Design Patent**
Cheung

(10) **Patent No.:** **US D878,673 S**

(45) **Date of Patent:** **** Mar. 17, 2020**

- (54) **CIGARETTE PIN**
- (71) Applicant: **Kim Hong Cheung**, Hong Kong (HK)
- (72) Inventor: **Kim Hong Cheung**, Hong Kong (HK)
- (**) Term: **15 Years**
- (21) Appl. No.: **29/644,305**
- (22) Filed: **Apr. 17, 2018**

- 5,325,570 A * 7/1994 Chin-Ho D06F 55/00
24/511
- D400,298 S * 10/1998 Vignerot D27/183
- D402,778 S * 12/1998 Housman D32/61
- D406,386 S * 3/1999 Kuniansky D27/183
- D410,573 S * 6/1999 McKibbin D32/61
- D683,511 S * 5/2013 Fascitelli D32/61
- D731,706 S * 6/2015 Wilson D27/192
- D779,724 S * 2/2017 Decker D27/167
- D792,280 S * 7/2017 Elesmore D11/202
- D807,946 S * 1/2018 Flack D16/237
- D811,638 S * 2/2018 Chang D26/51
- D812,291 S * 3/2018 Victor D27/183

(Continued)

Related U.S. Application Data

- (63) Continuation-in-part of application No. 15/162,425, filed on May 23, 2016, now abandoned.
- (51) **LOC (12) Cl.** **27-02**
- (52) **U.S. Cl.**
USPC **D27/183**
- (58) **Field of Classification Search**
USPC D27/100, 101, 162–196, 139–161;
D23/366; D24/110; D19/101, 106, 115,
D19/165, 195; D7/416; D3/212, 247;
D32/61
CPC A24F 47/00; A24F 47/002; A24F 15/12;
A24F 1/32; A24F 15/18; A24F 13/22;
D06F 55/00; D06F 55/02
See application file for complete search history.

OTHER PUBLICATIONS

Cigarette pin by K Cheung. on Indiegogo. dated 2017. found online [Jun. 15, 2019] [https://www.indiegogo.com/projects/cigarette-pin-and-cigarette-holding-apparatus#/.*](https://www.indiegogo.com/projects/cigarette-pin-and-cigarette-holding-apparatus#/)

(Continued)

Primary Examiner — Marissa J Cash

(57) **CLAIM**

The ornamental design for a cigarette pin, as shown and described.

DESCRIPTION

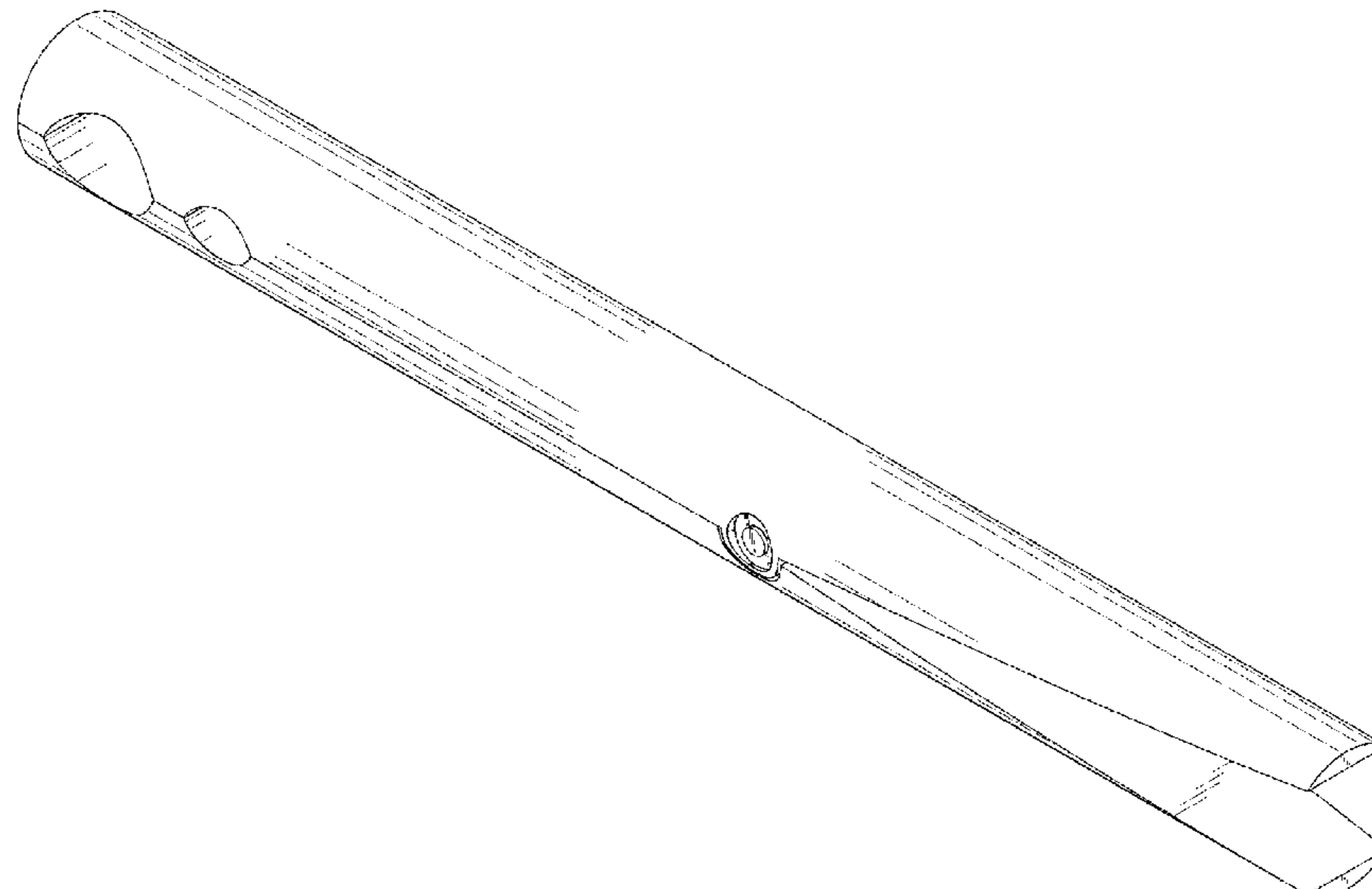
FIG. 1 is a perspective view of a cigarette pin showing my new design;
FIG. 2 is a front view thereof;
FIG. 3 is a rear view thereof;
FIG. 4 is a right end view thereof;
FIG. 5 is a left end view thereof;
FIG. 6 is a top view thereof;
FIG. 7 is a bottom view thereof; and,
FIG. 8 is front view thereof shown in an open position.
The broken lines in the drawings represent portions of the cigarette pin that form no part of the claimed design.

1 Claim, 8 Drawing Sheets

(56) **References Cited**

U.S. PATENT DOCUMENTS

- D27,375 S * 7/1897 Girard D27/183
- D105,527 S * 8/1937 Holder 131/259
- D138,379 S * 7/1944 Most D32/61
- D147,803 S * 11/1947 Maccaferri D32/61
- 2,720,688 A * 10/1955 Piero Torrani D06F 55/02
24/567
- 2,871,538 A * 2/1959 Richardson D06F 55/02
24/338
- 4,945,613 A * 8/1990 Ledermann D06F 55/02
24/501
- D340,328 S * 10/1993 Dragoneas D32/61



(56)

References Cited

U.S. PATENT DOCUMENTS

D832,503 S * 10/2018 Blanding D27/163
2009/0032035 A1 * 2/2009 Thorpe A24F 13/22
131/257

OTHER PUBLICATIONS

Cigarette Pin YouTube. by CCKK. direct link from Inventors public disclosure on Indiegogo. dated May 21, 2019. found online [Jun. 15, 2019] <https://www.youtube.com/watch?v=sQyckoVfV20>.*

* cited by examiner

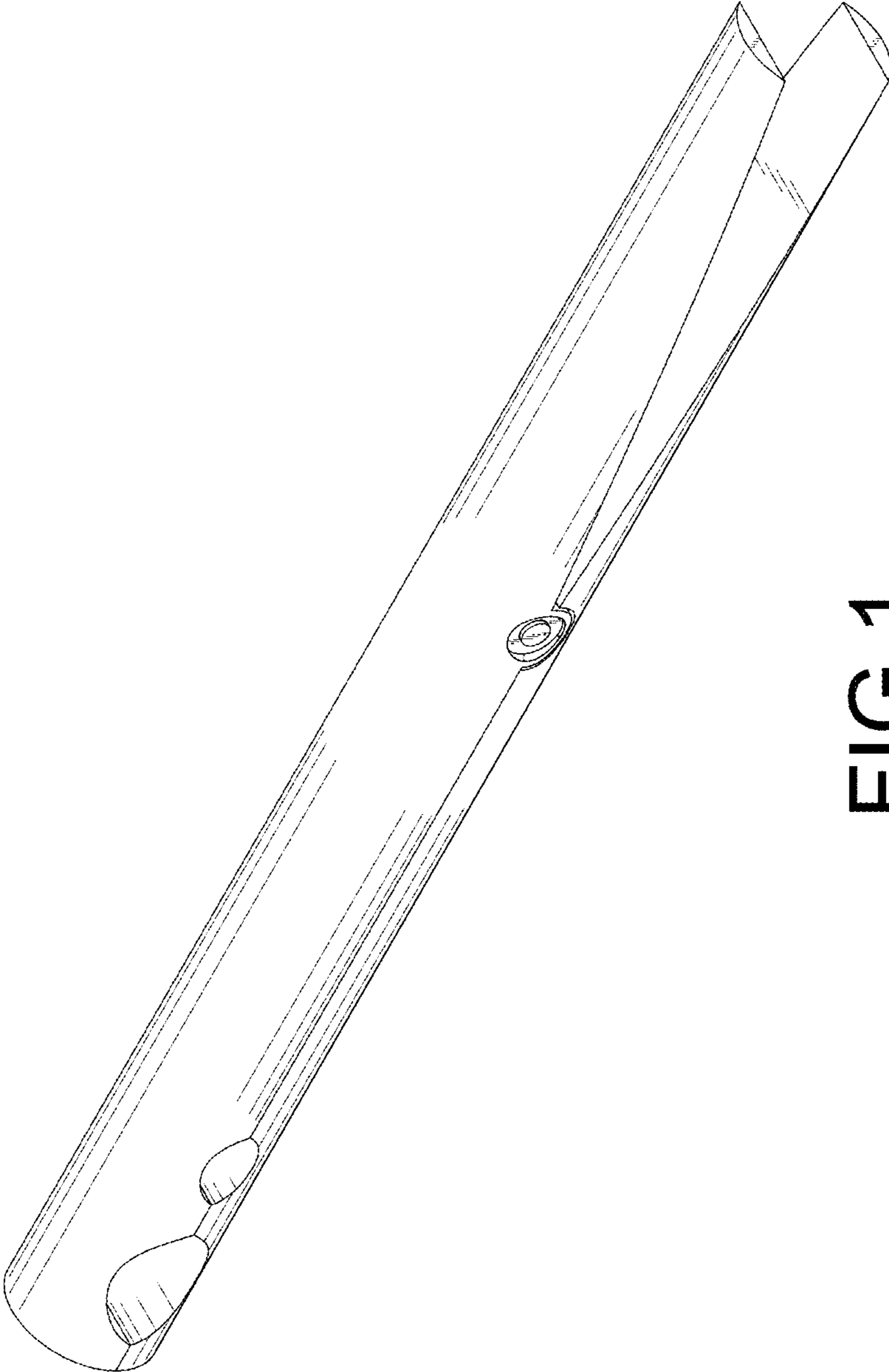


FIG.1

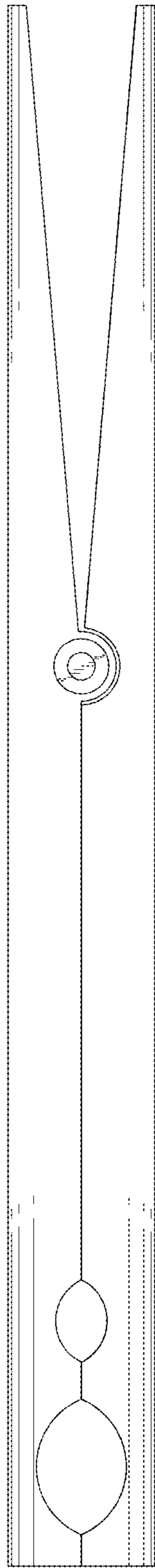


FIG.2

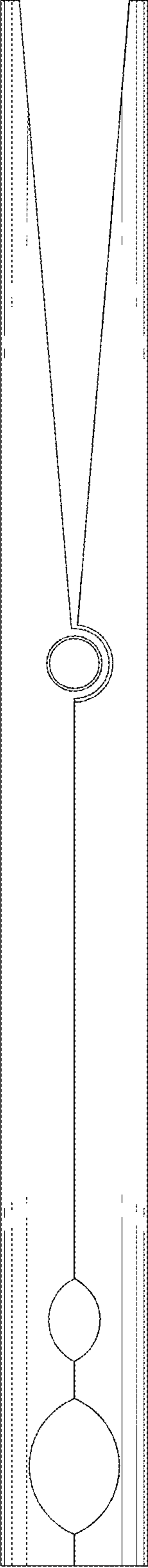


FIG. 3

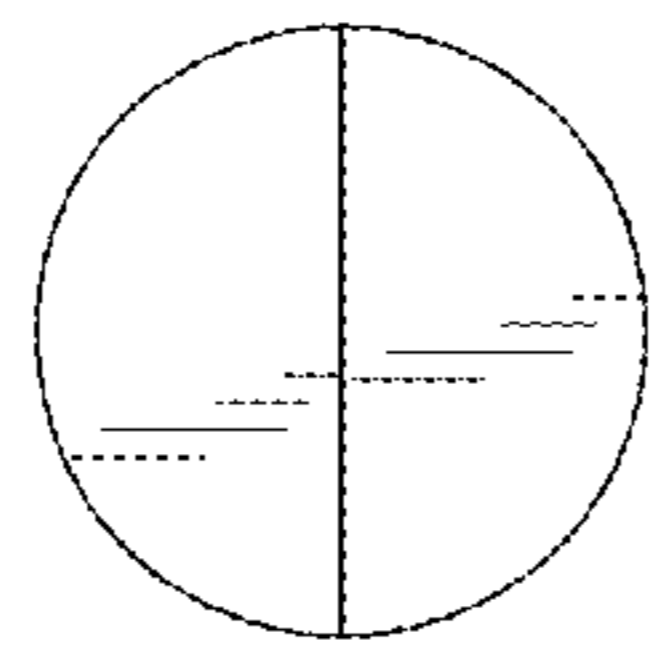


FIG.4

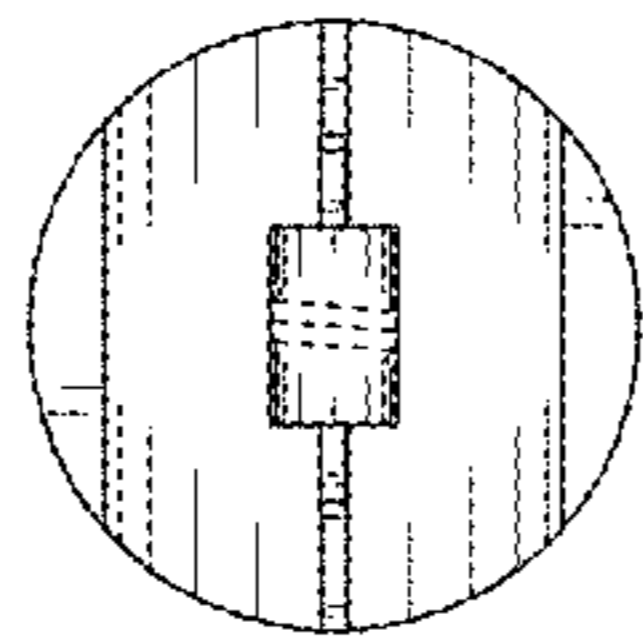


FIG. 5

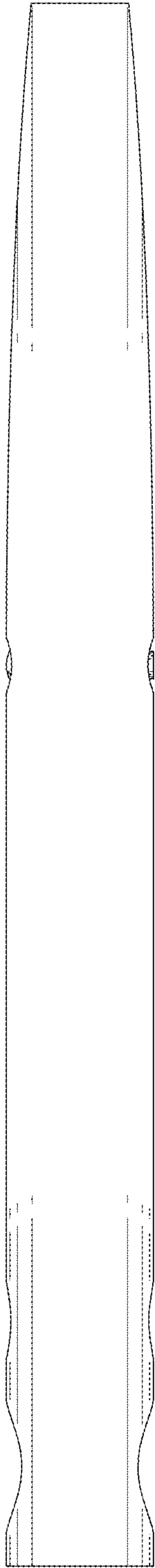


FIG.6

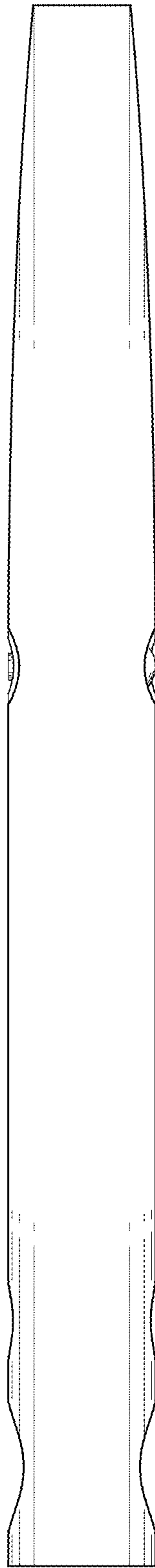


FIG.7

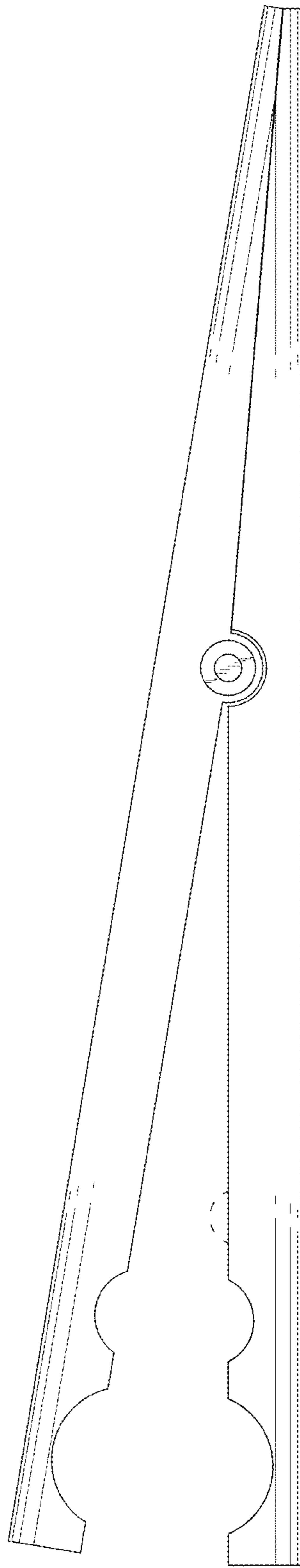


FIG.8