



US00D878665S

(12) **United States Design Patent** (10) **Patent No.:** **US D878,665 S**
Nadell et al. (45) **Date of Patent:** **** Mar. 17, 2020**

(54) **LIGHT FIXTURE**

(71) Applicant: **Troy-CSL Lighting, Inc.**, City of Industry, CA (US)

(72) Inventors: **Steve Nadell**, Long Beach, CA (US); **Rogelio Visda**, Pampanga (PH)

(73) Assignee: **Troy-CSL Lighting, Inc.**, City of Industry, CA (US)

(**) Term: **15 Years**

(21) Appl. No.: **29/633,377**

(22) Filed: **Jan. 12, 2018**

(51) **LOC (12) Cl.** **26-03**

(52) **U.S. Cl.**
USPC **D26/118**

(58) **Field of Classification Search**
USPC D26/25, 72, 80-92, 110, 118, 123, 124
(Continued)

(56) **References Cited**

U.S. PATENT DOCUMENTS

D391,661 S * 3/1998 Pan D26/86
D397,482 S * 8/1998 Binsukor D26/85
(Continued)

FOREIGN PATENT DOCUMENTS

CN 304206945 * 7/2017
EM 000281241-0001 * 3/2005
(Continued)

Primary Examiner — Leanne Was-Englehart
(74) *Attorney, Agent, or Firm* — Foley & Lardner LLP

(57) **CLAIM**

We claim the ornamental design for a light fixture, as shown and described.

DESCRIPTION

FIG. 1 is a front, top perspective view of a light fixture, according to a first embodiment;

FIG. 2 is a front, bottom perspective view of a light fixture, according to the first embodiment;

FIG. 3 is a front side view a light fixture, according to the first embodiment;

FIG. 4 is a left side view of a light fixture, according to the first embodiment;

FIG. 5 is a right side view of a light fixture, according to the first embodiment;

FIG. 6 is a top view of a light fixture, according to the first embodiment;

FIG. 7 is a bottom view of a light fixture, according to the first embodiment;

FIG. 8 is a front, bottom perspective view of a light fixture, according to a second embodiment;

FIG. 9 is a rear, top perspective view of a light fixture, according to the second embodiment;

FIG. 10 is a front side view of a light fixture, according to the second embodiment;

FIG. 11 is a left side view of a light fixture, according to the second embodiment;

FIG. 12 is a right side view of a light fixture, according to the second embodiment;

FIG. 13 is a top view of a light fixture, according to the second embodiment;

FIG. 14 is a bottom view of a light fixture, according to the second embodiment;

FIG. 15 is a front, top perspective view of a light fixture, according to a third embodiment;

FIG. 16 is a rear, top perspective view of a light fixture, according to the third embodiment;

FIG. 17 is a front side view of a light fixture, according to the third embodiment;

FIG. 18 is a left side view of a light fixture, according to the third embodiment;

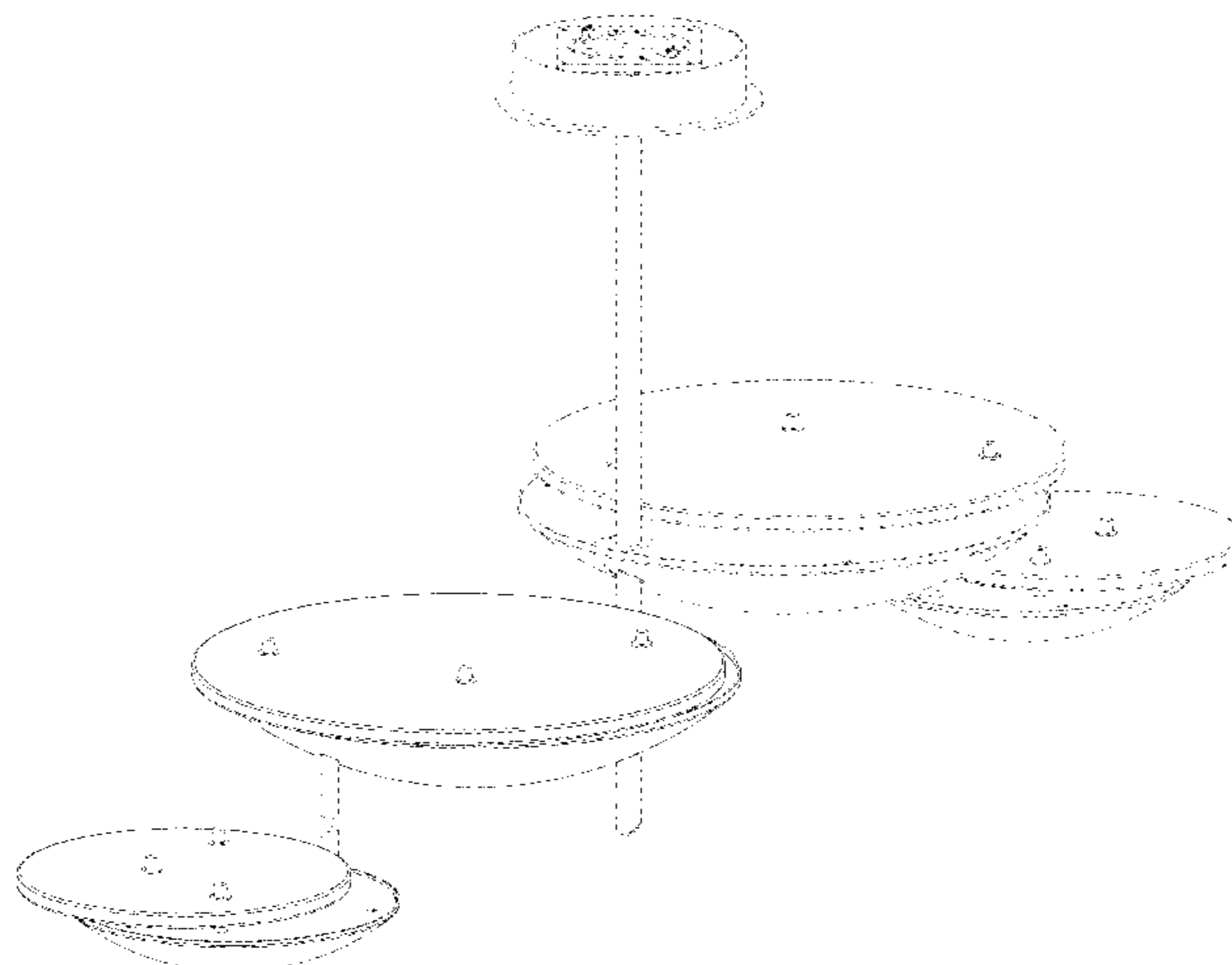
FIG. 19 is a right side view of a light fixture, according to the third embodiment;

FIG. 20 is a top view of a light fixture, according to the third embodiment; and,

FIG. 21 is a bottom view of a light fixture, according to the third embodiment.

The broken, dashed lines depict environment that forms no part of the claimed design. The light fixture is shown with a symbolic break shown in broken, dotted lines that represents

(Continued)



the bounds of the Claim. The appearance of any portion of the article between the break lines forms no part of the claimed design.

1 Claim, 20 Drawing Sheets

(58) **Field of Classification Search**

CPC F21Y 2115/10; F21Y 2103/30; F21Y
2107/30; F21V 29/004; F21V 29/507;
F21V 29/60; F21V 29/677

See application file for complete search history.

(56) **References Cited**

U.S. PATENT DOCUMENTS

D459,526	S	*	6/2002	Dolan	D26/88
D469,210	S	*	1/2003	Homann	D26/118
D469,211	S	*	1/2003	Homann	D26/118
D471,313	S	*	3/2003	Homann	D26/118
D475,802	S	*	6/2003	Homann	D26/118
D541,975	S	*	5/2007	Isaacson	D26/128
D564,123	S	*	3/2008	Porter	D26/141
D667,158	S	*	9/2012	Fisher	D26/80
D679,443	S	*	4/2013	Parekh	D26/118
D694,463	S	*	11/2013	Sieczkowski	D26/124
D803,470	S	*	11/2017	Austin, III	D26/118

FOREIGN PATENT DOCUMENTS

EM	000670609-0002	*	3/2007
EM	003024371-0020	*	3/2016
WO	D037841-007	*	12/1996
WO	D041620-010	*	12/1997

* cited by examiner

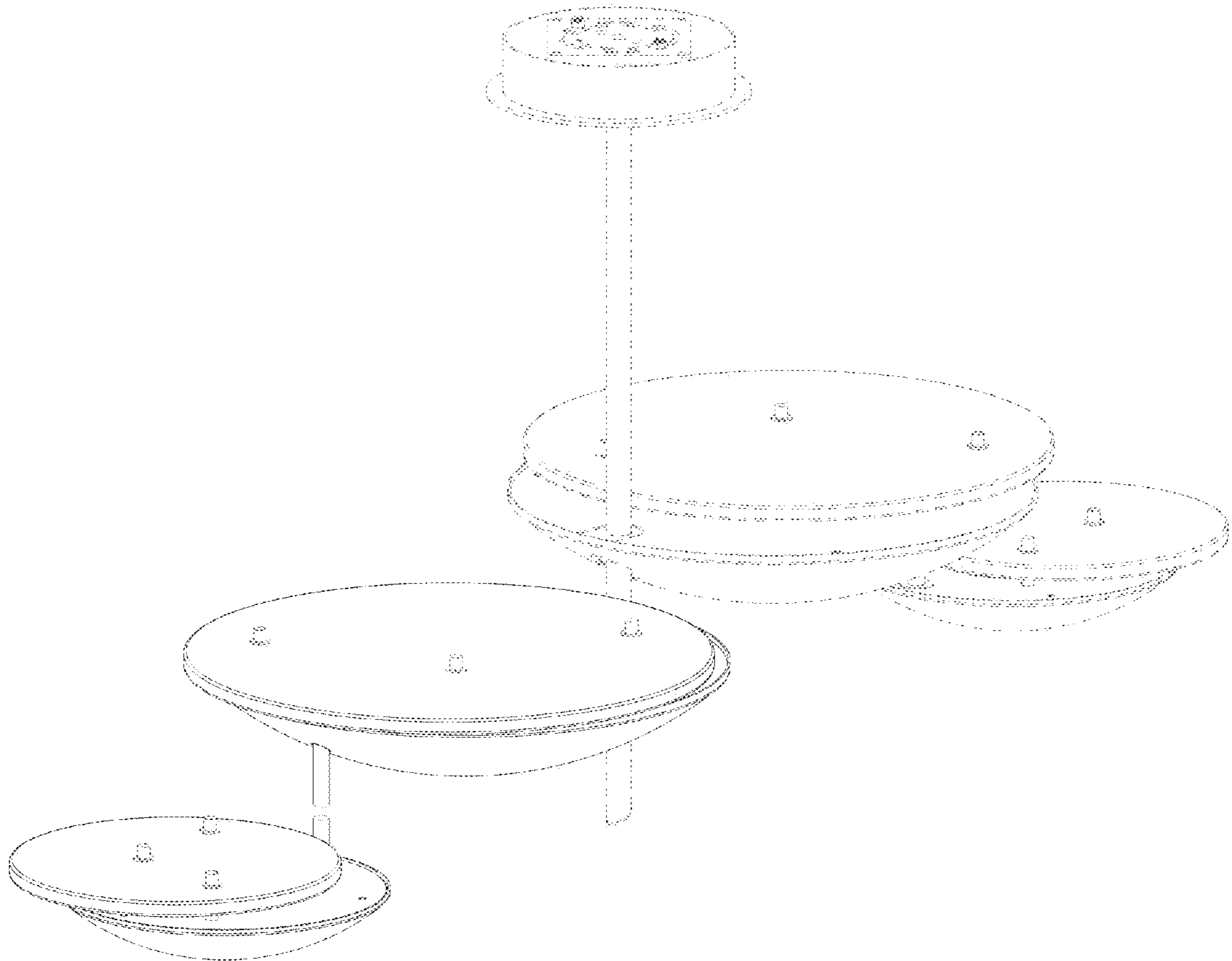


Fig. 1

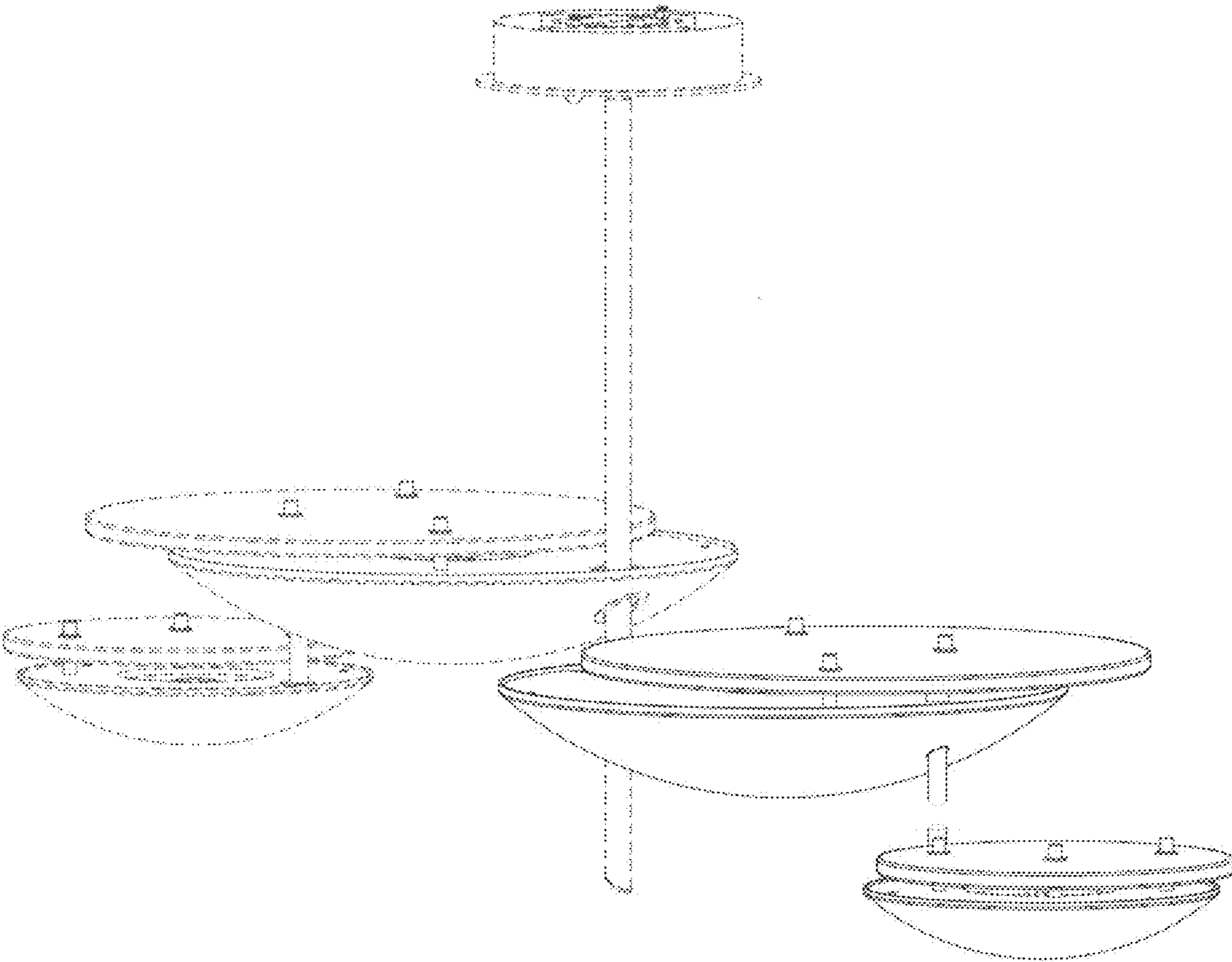


Fig. 2

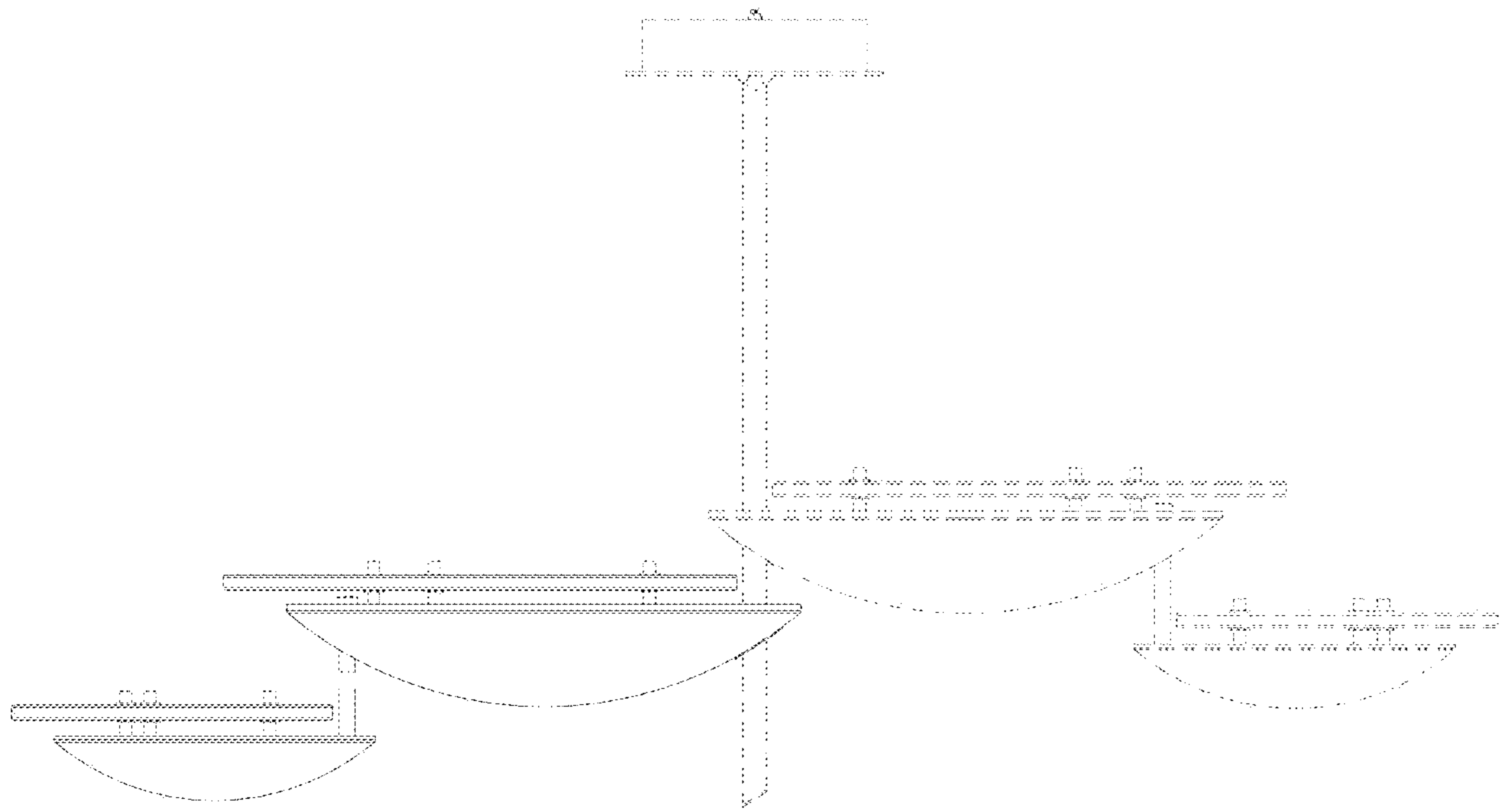


Fig. 3

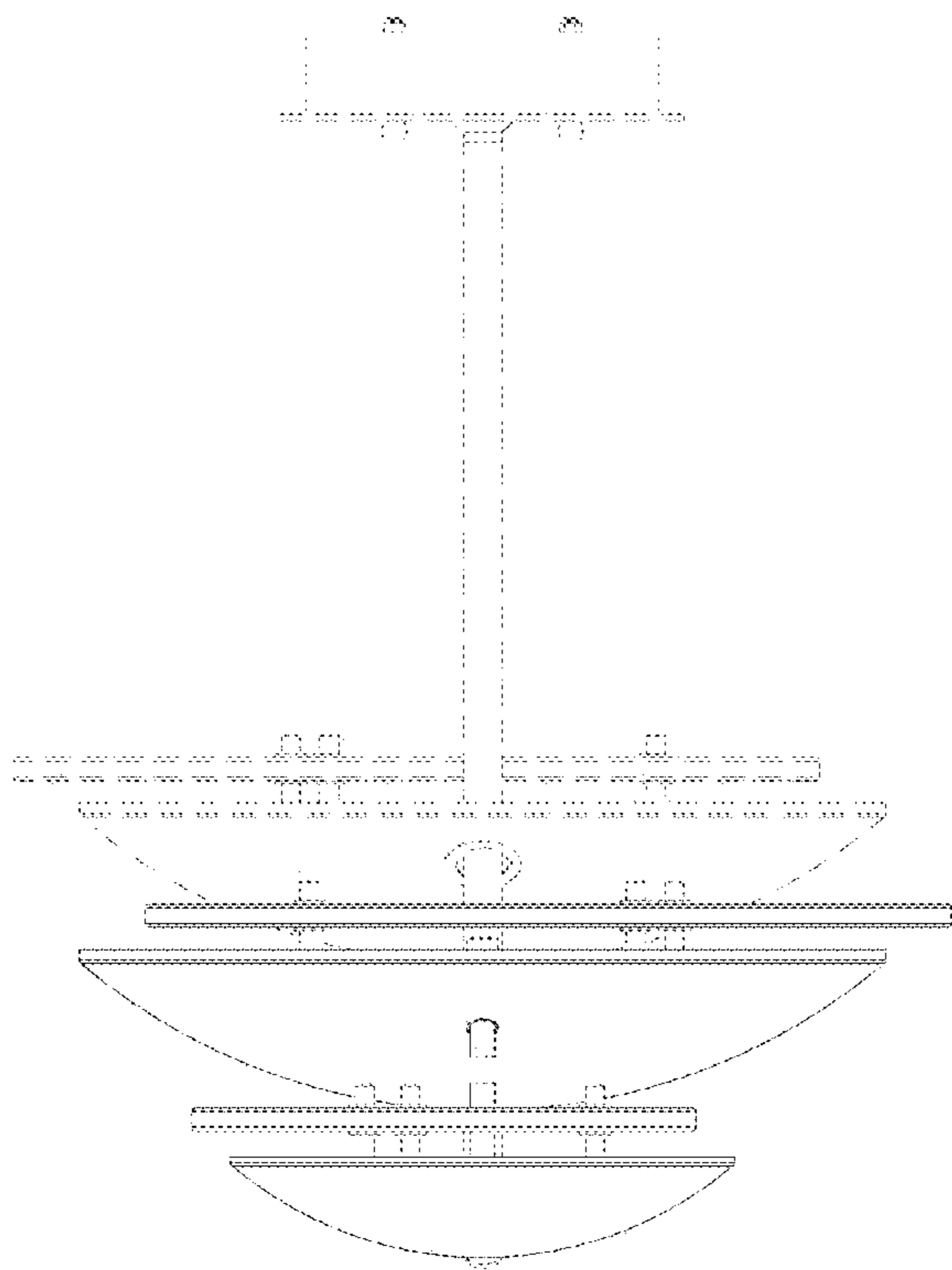


Fig. 4

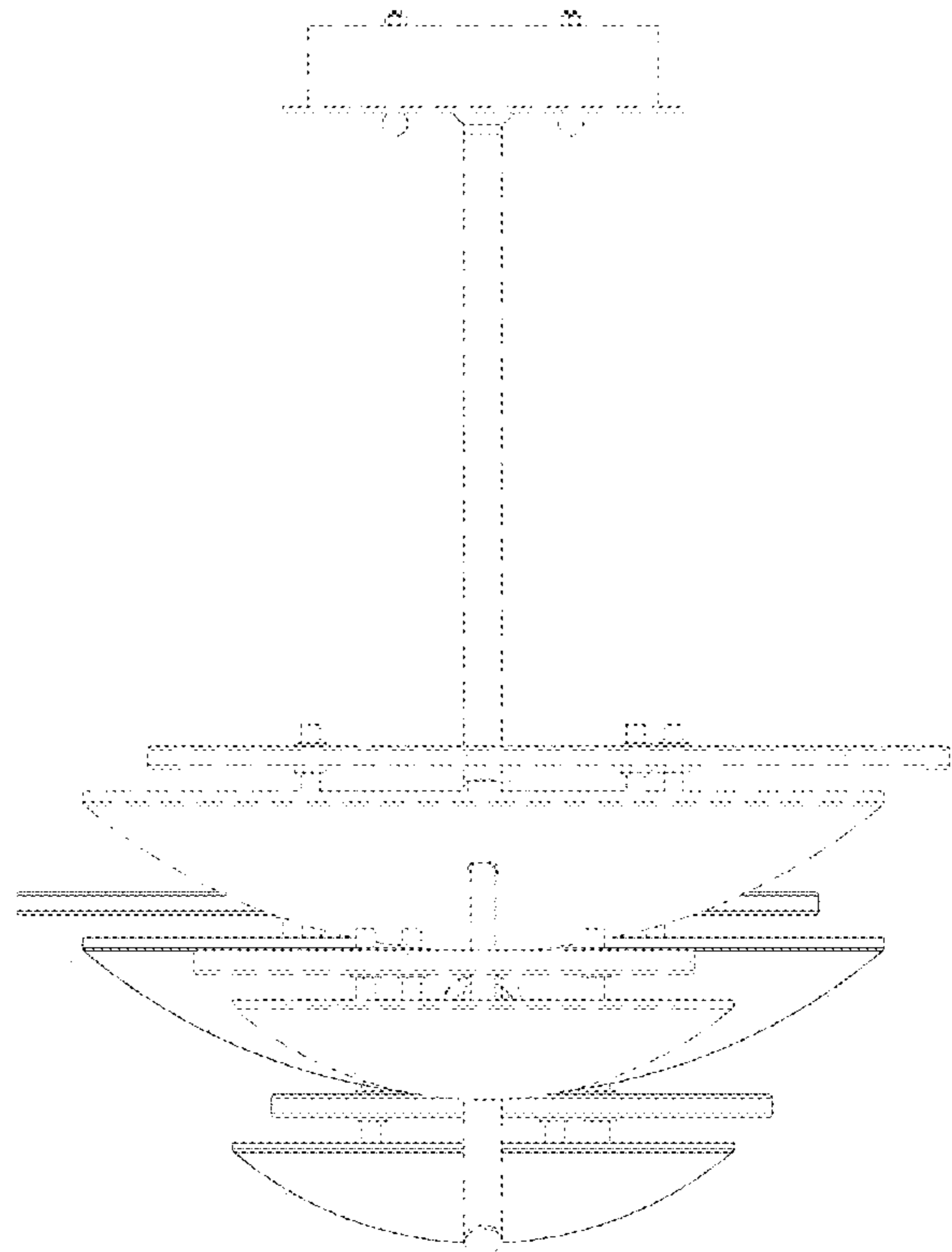


Fig. 5

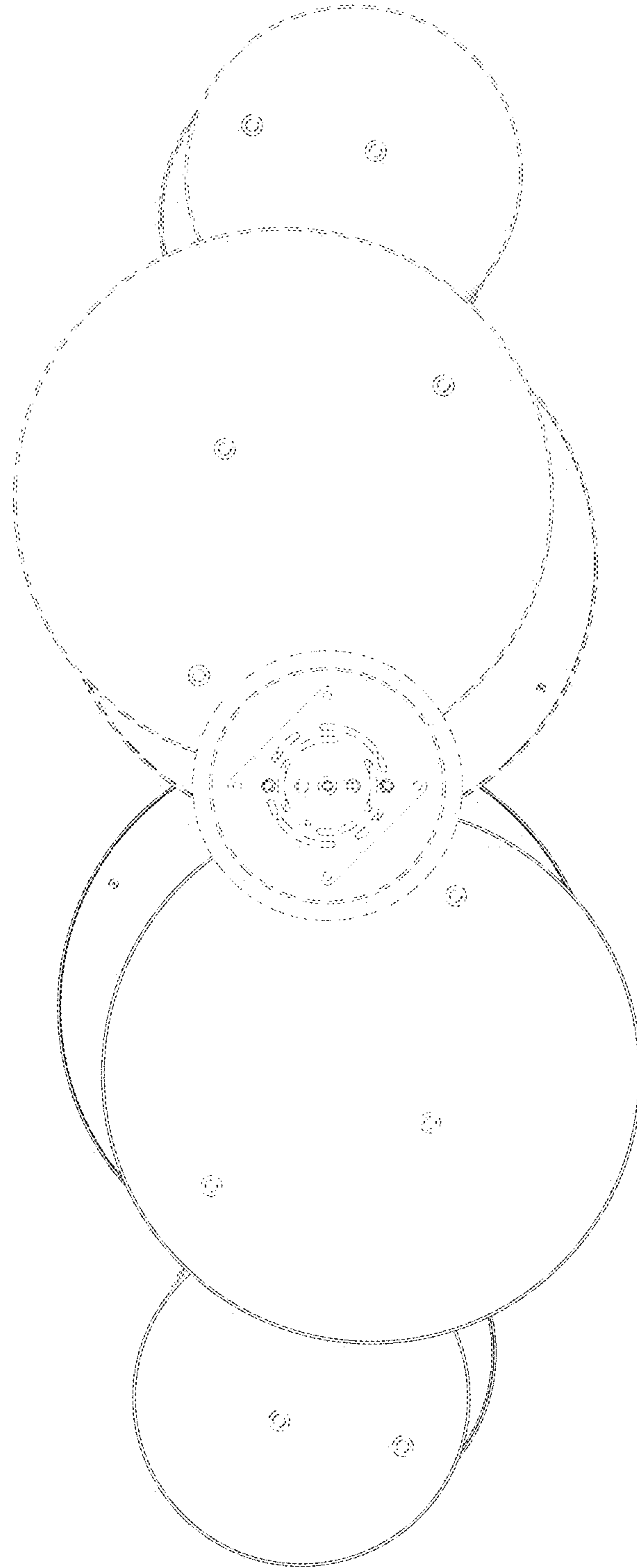


Fig. 6

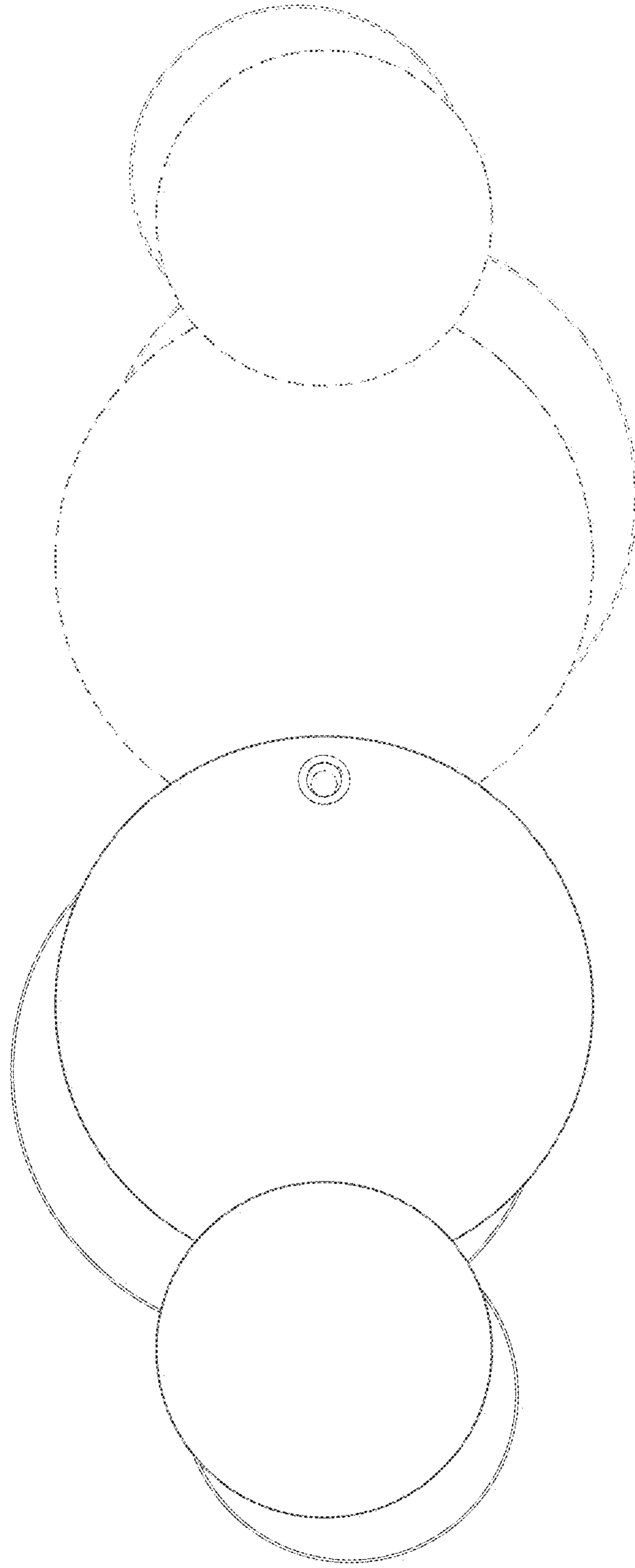


Fig. 7

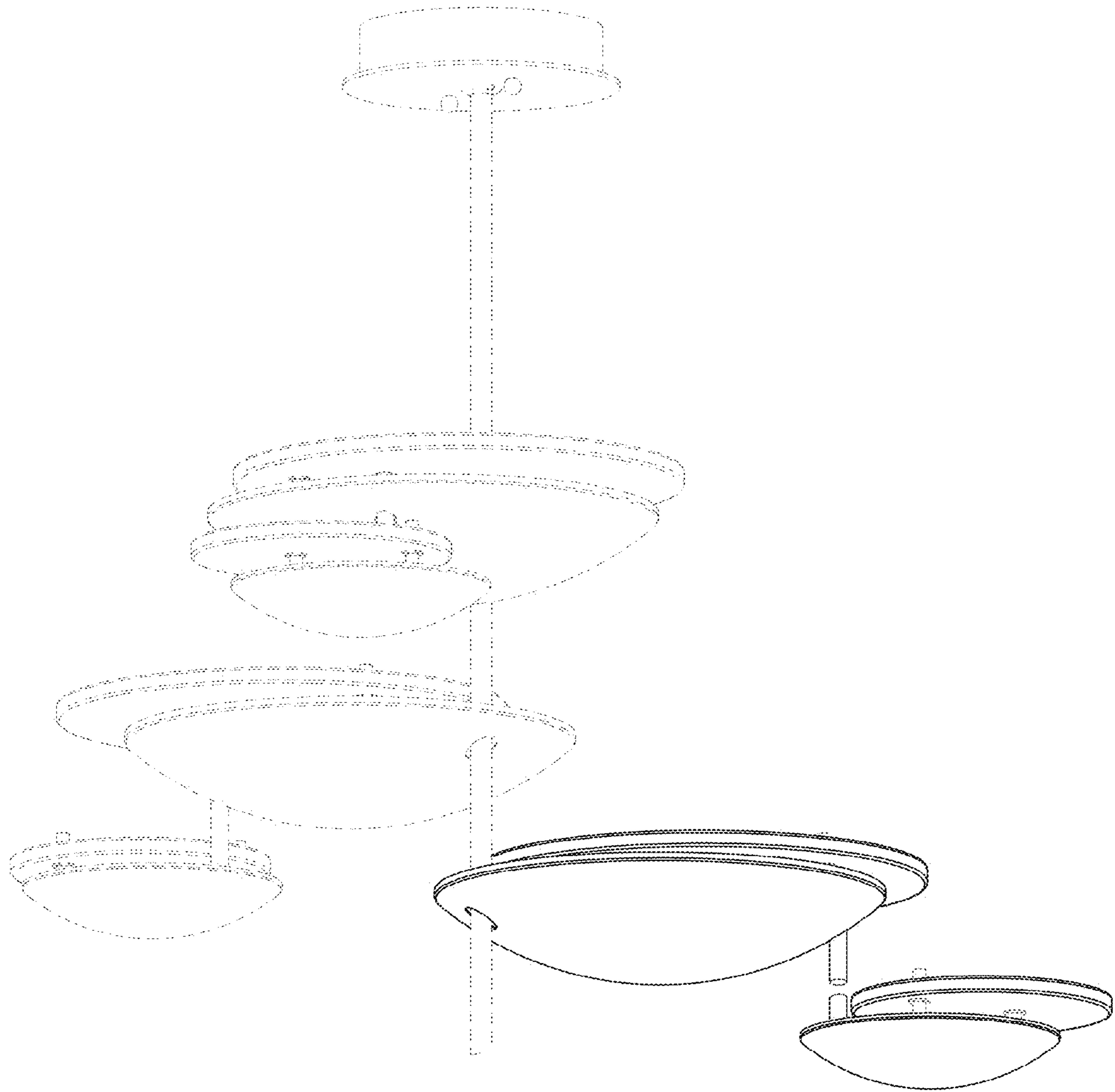


Fig. 8

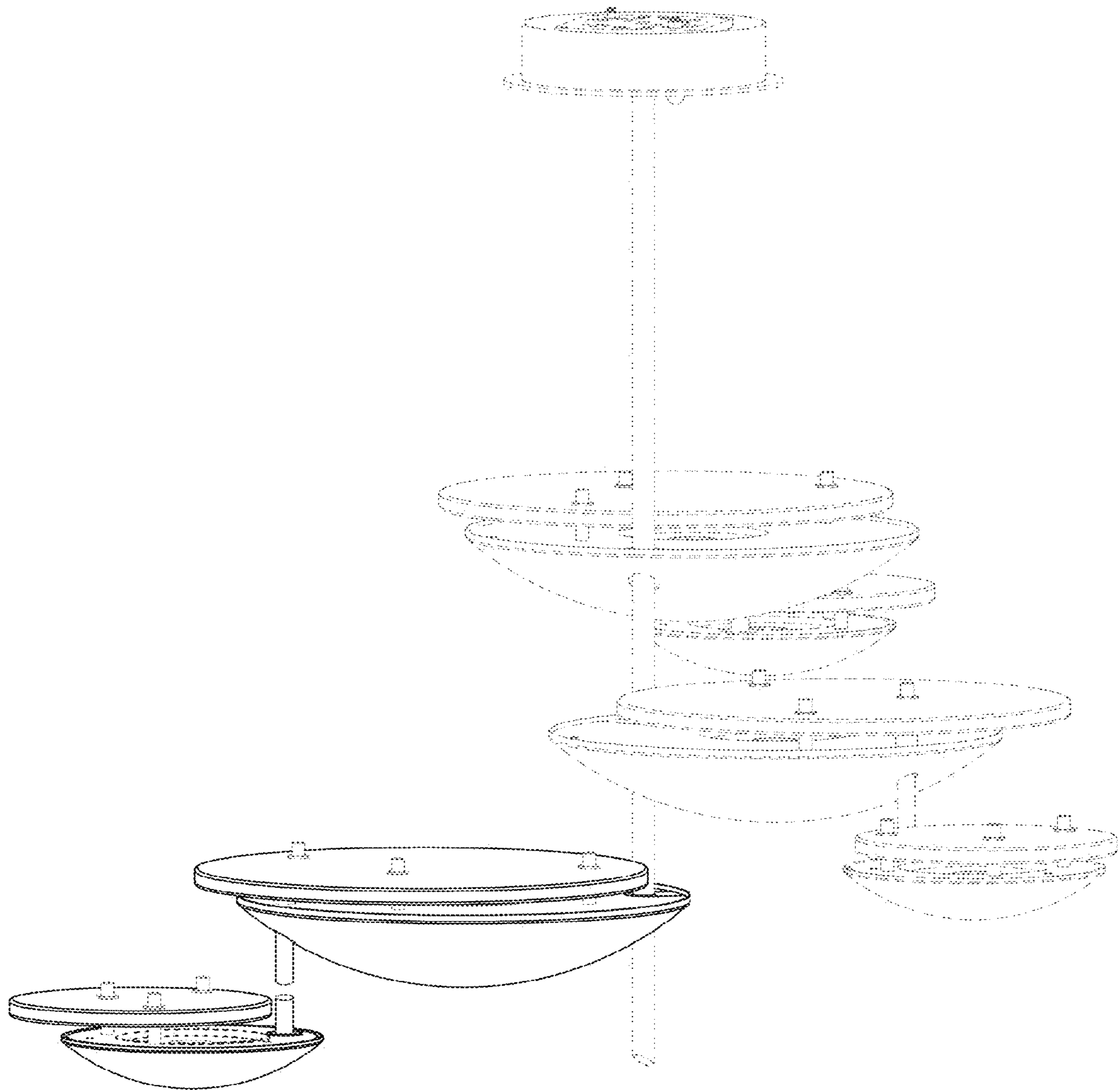


Fig. 9

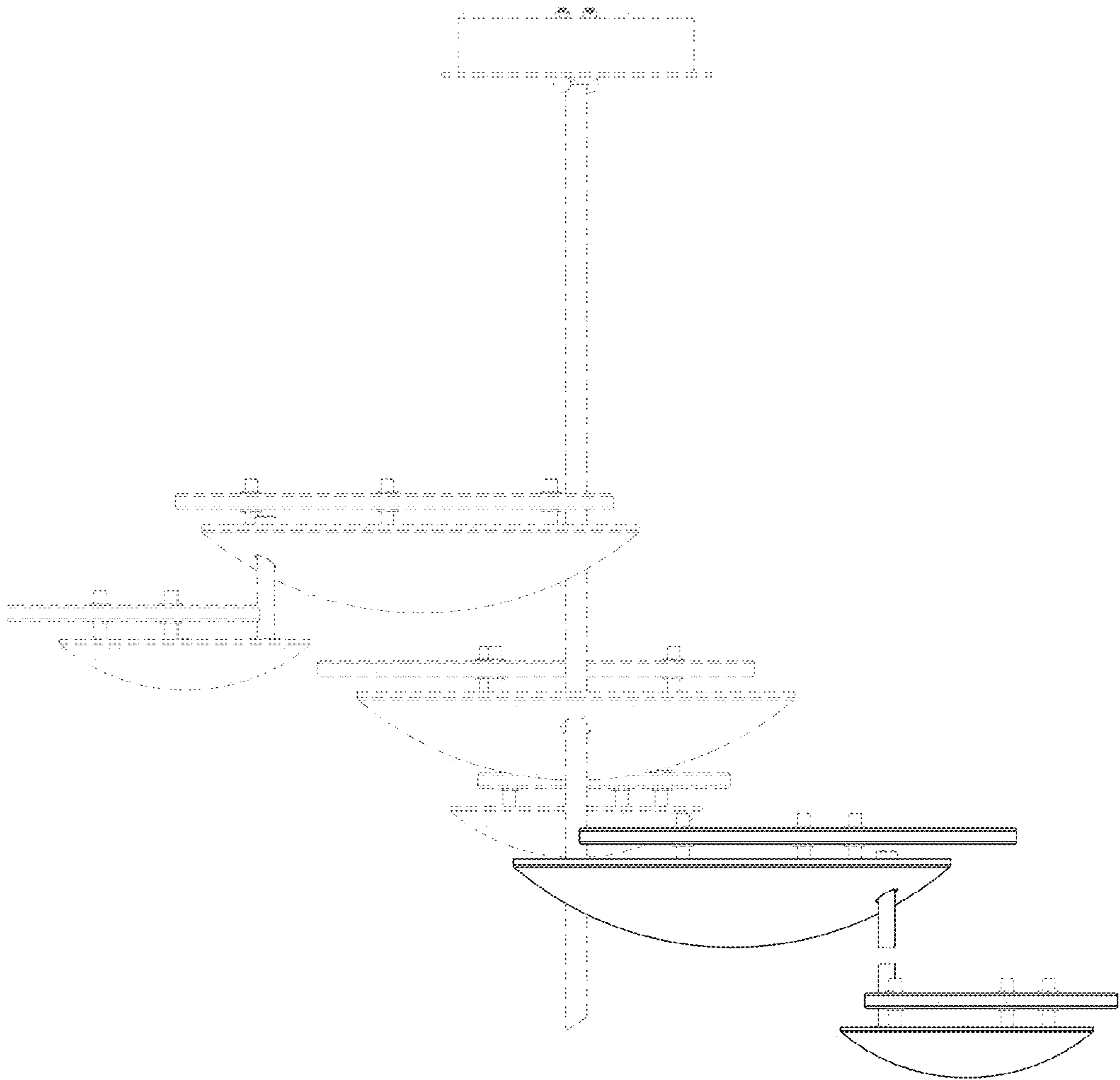


Fig. 10

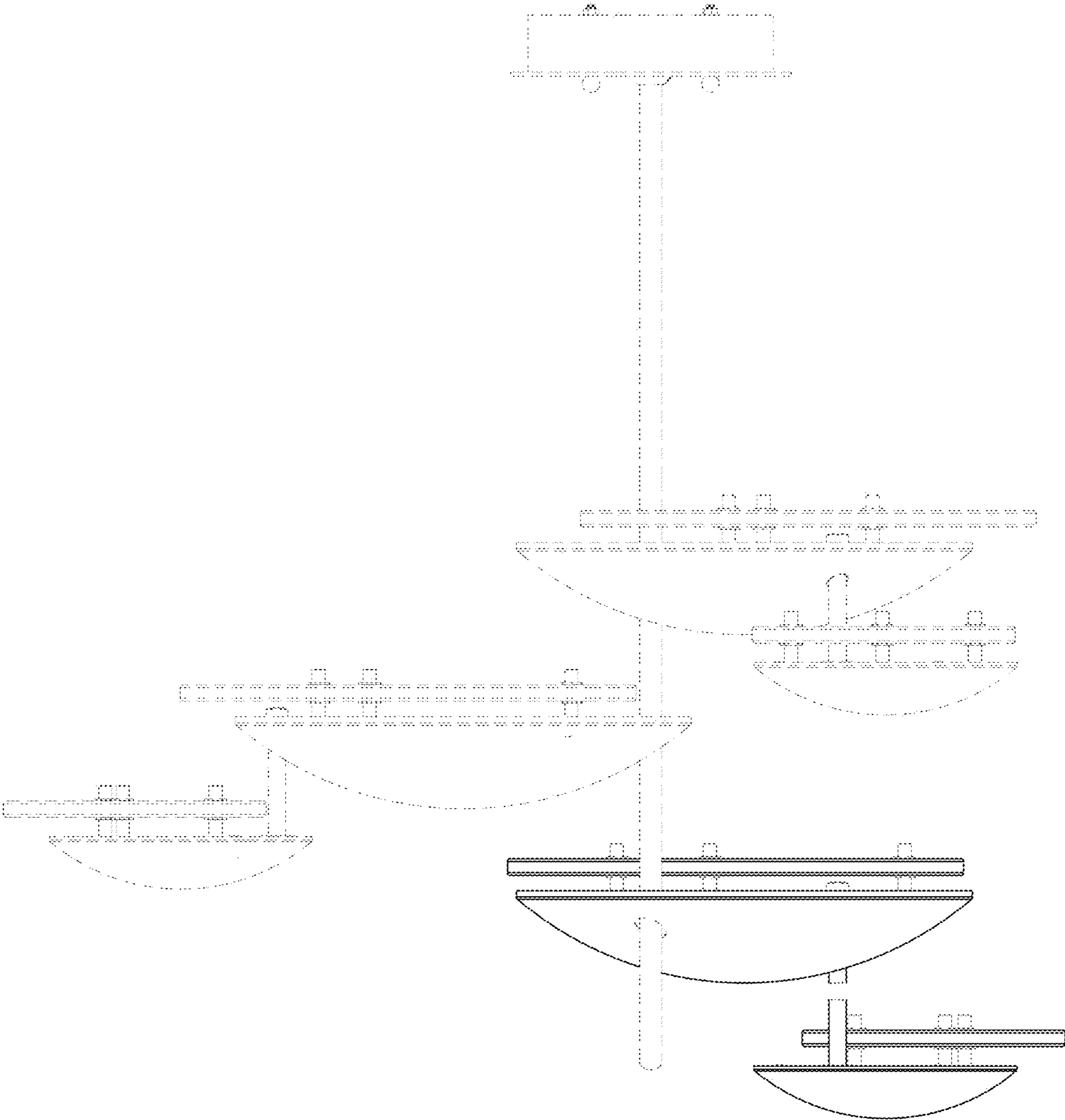


Fig. 11

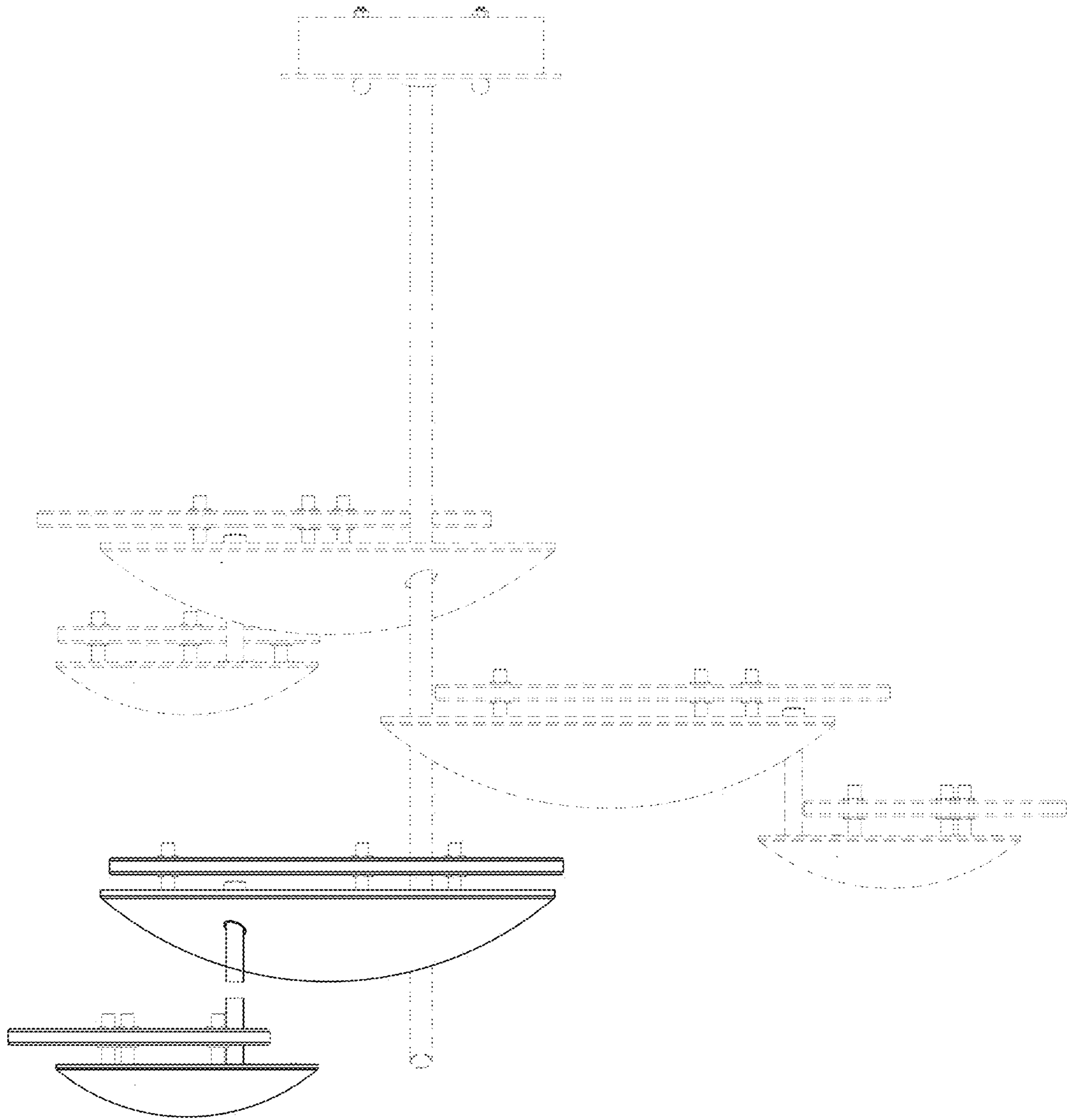


Fig. 12

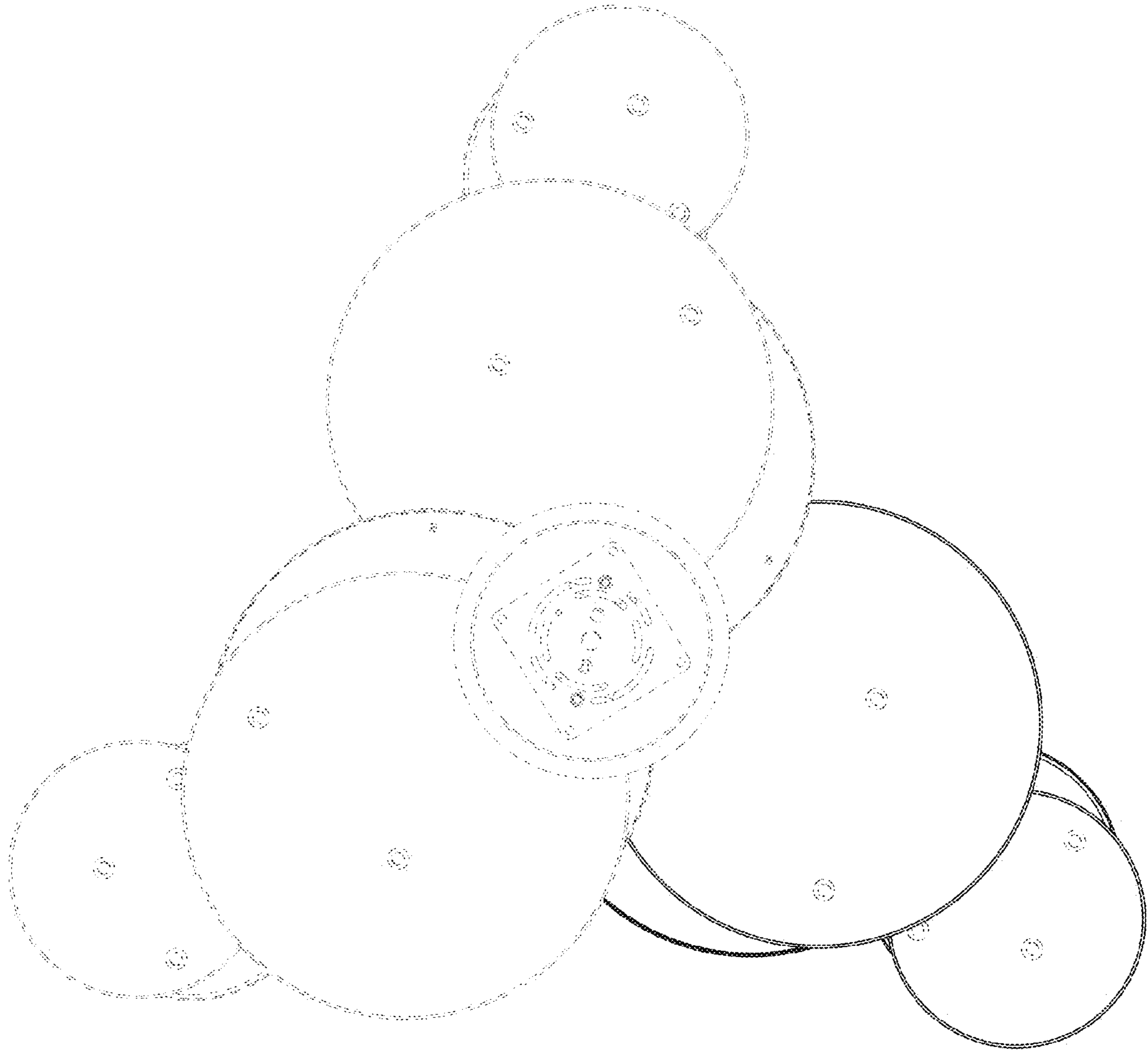


Fig. 13

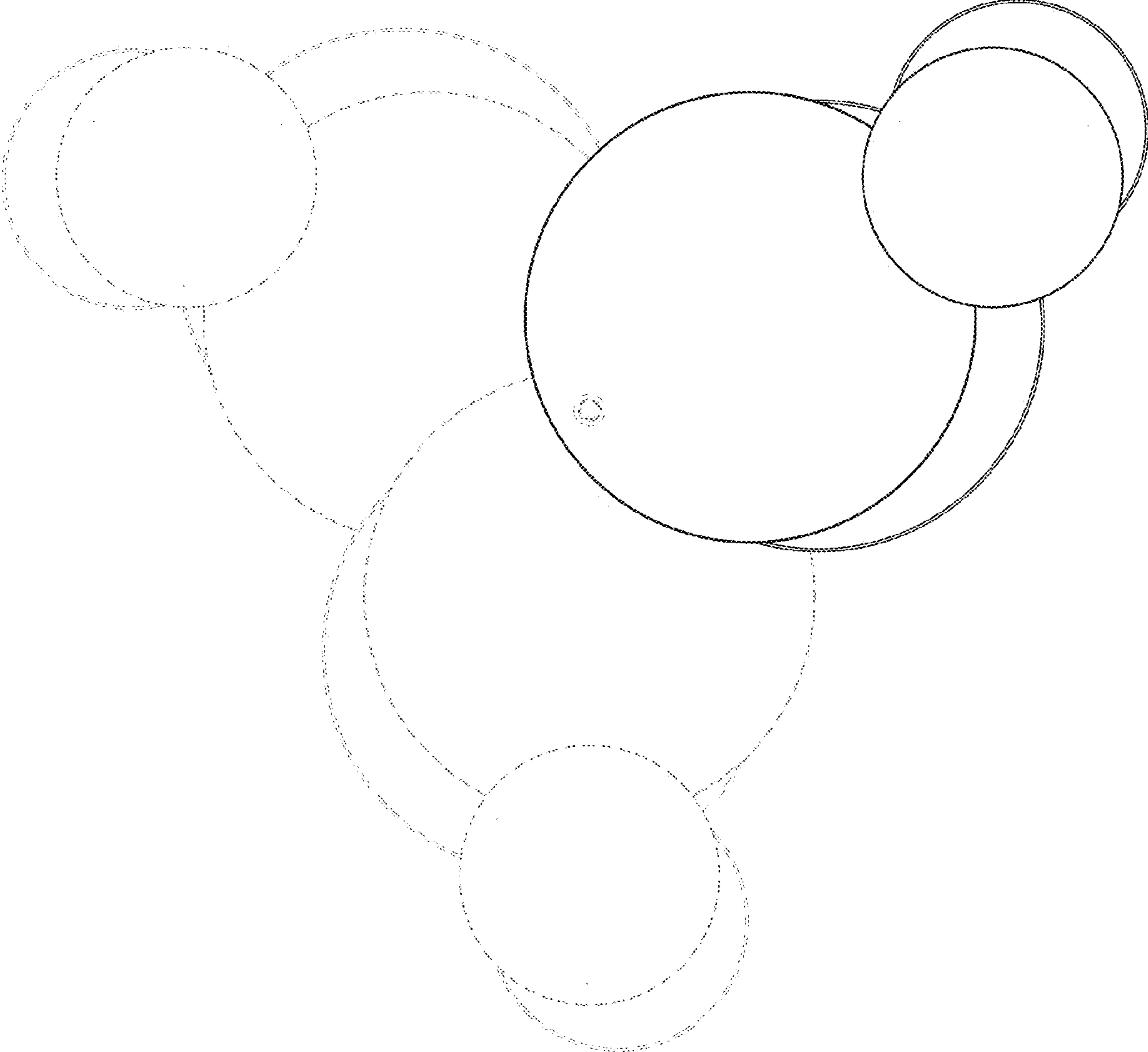


Fig. 14

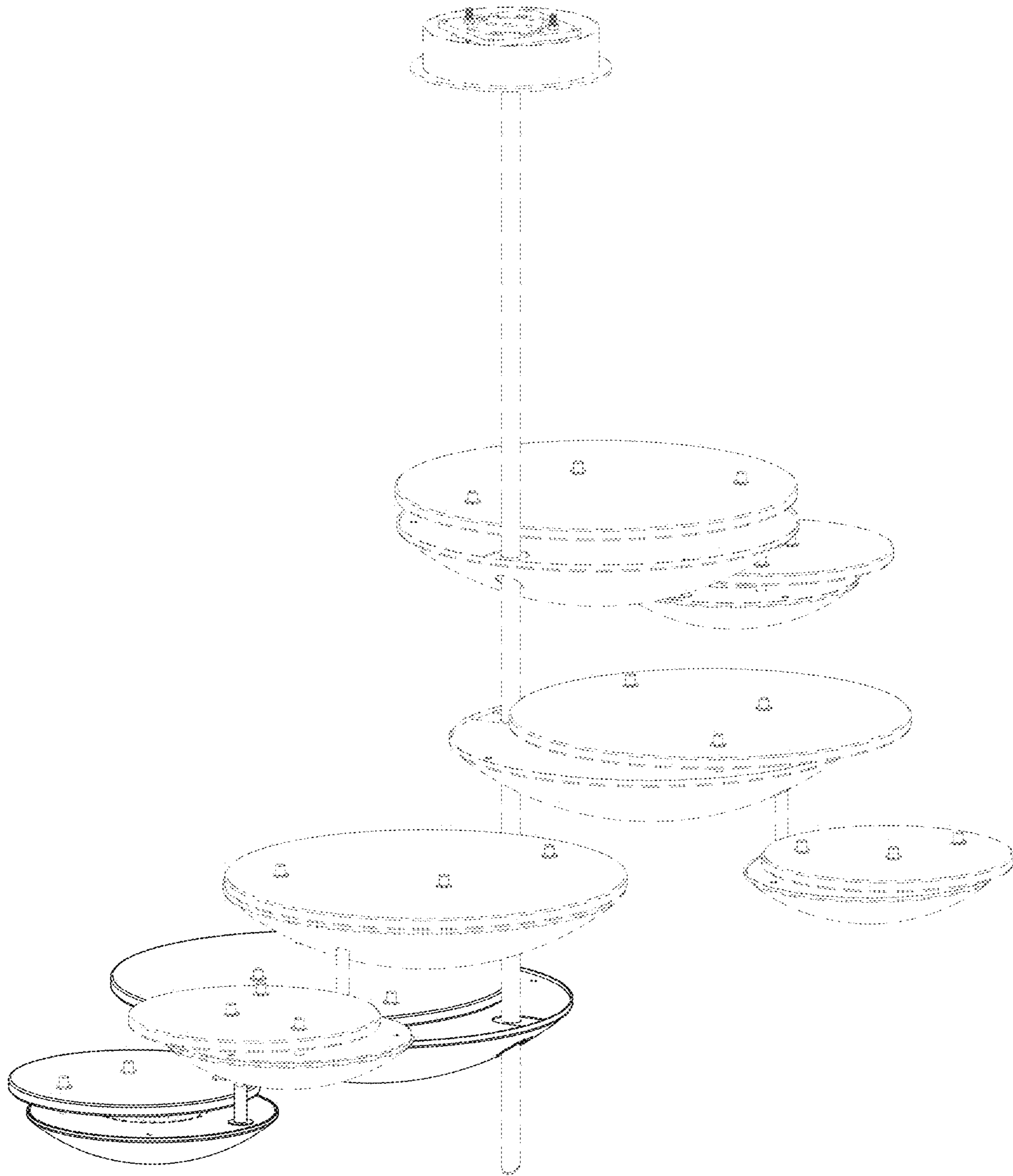


Fig. 15

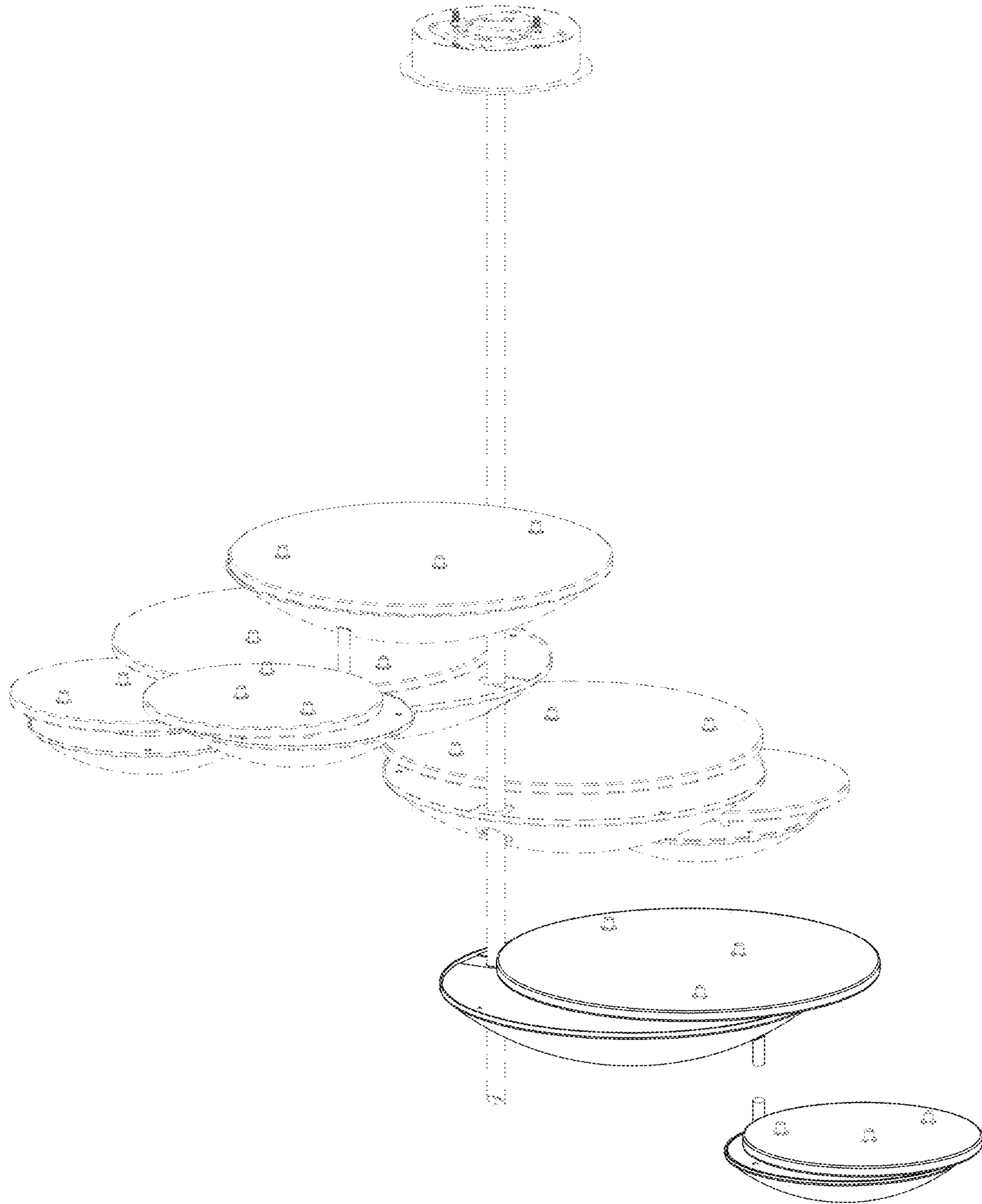


Fig. 16

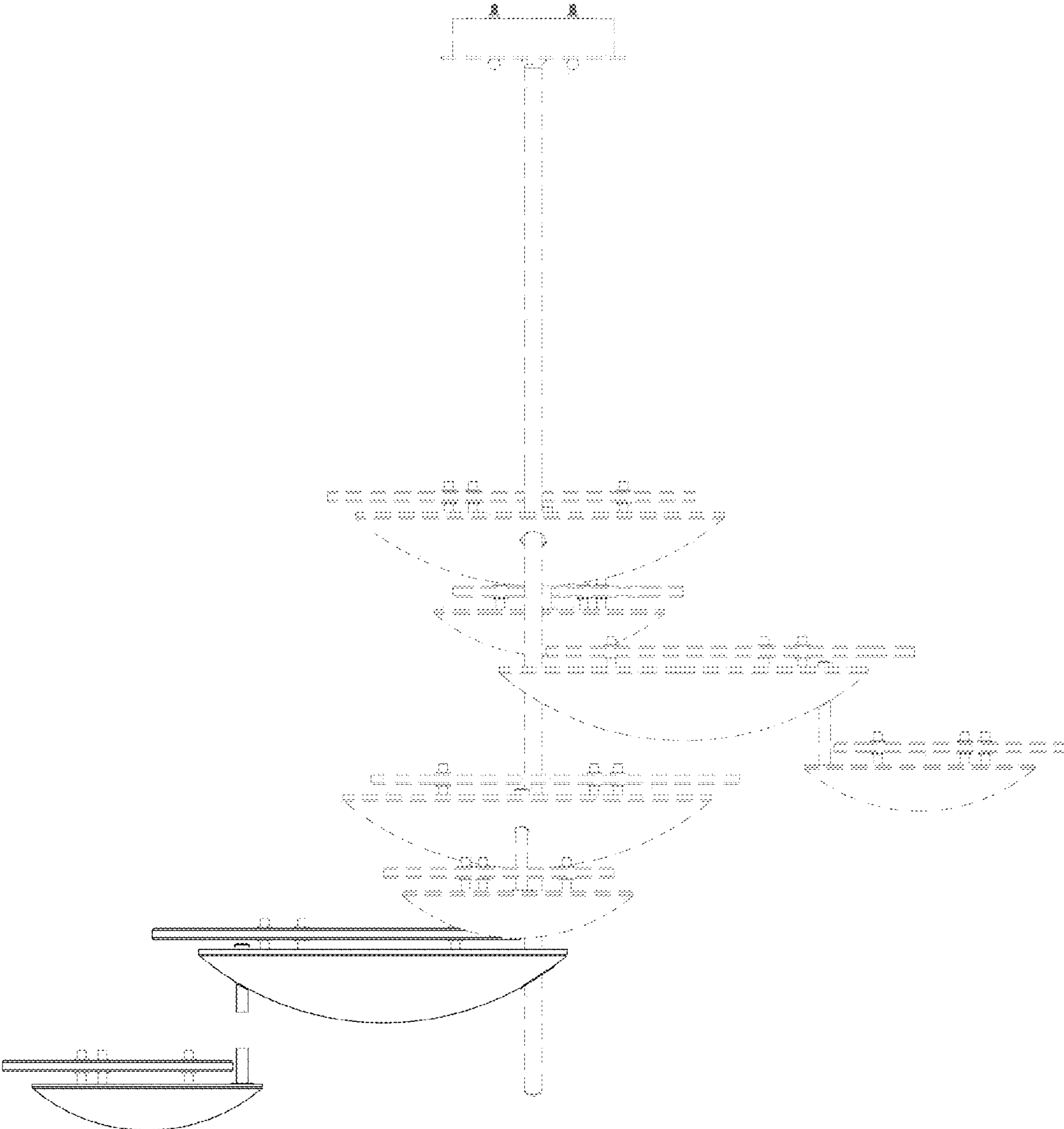


Fig. 17

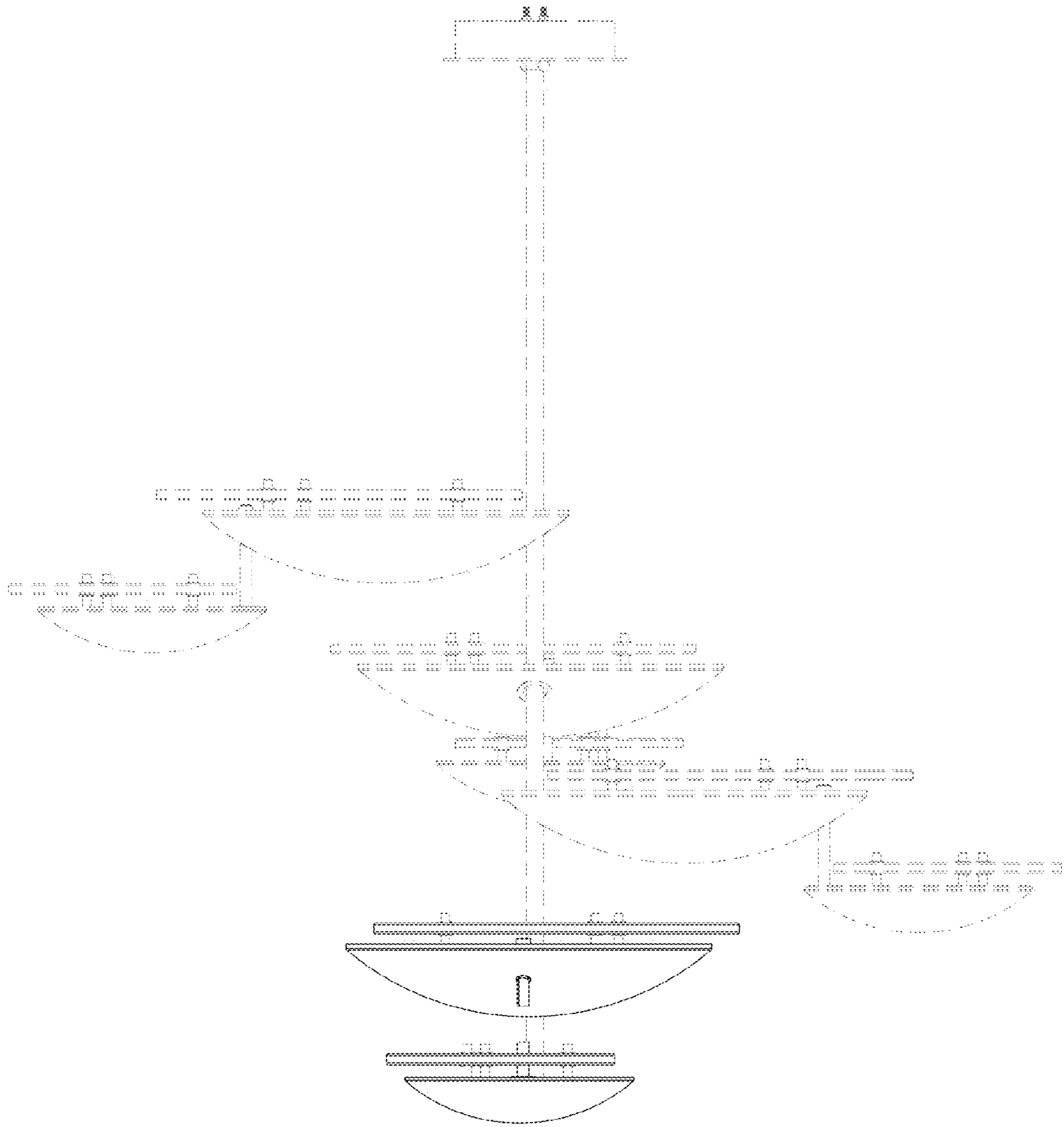


Fig. 18

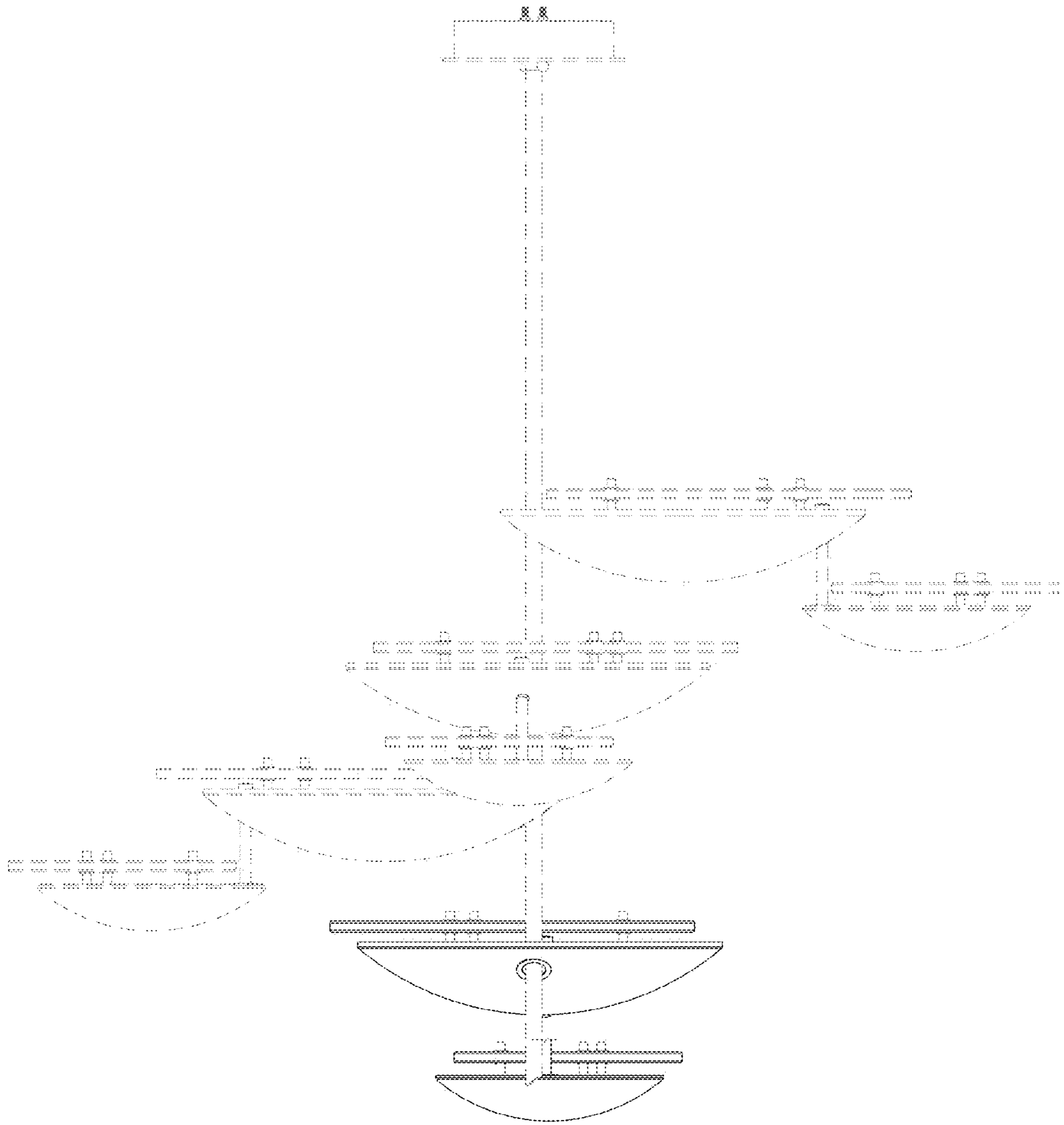


Fig. 19

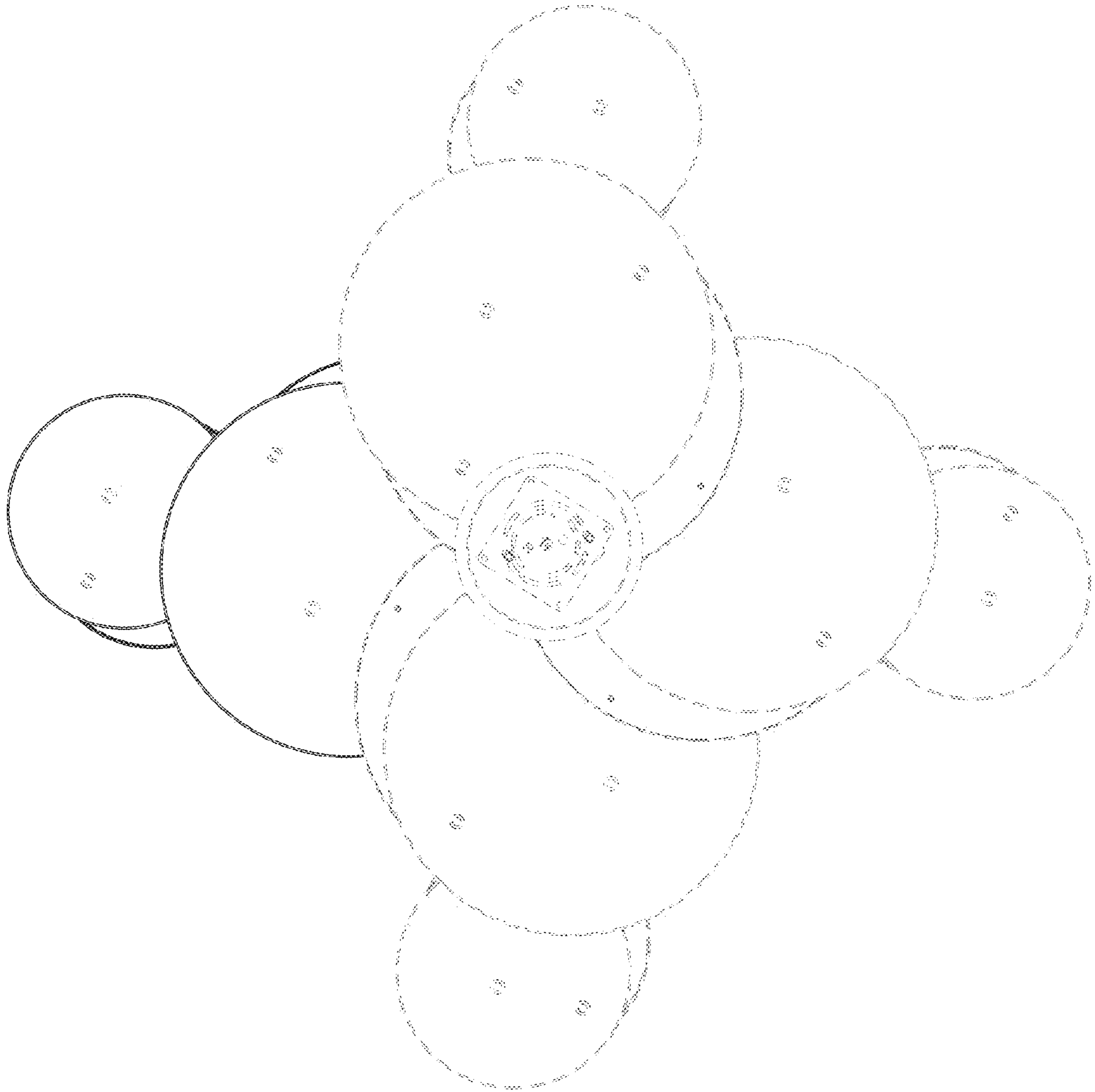


Fig. 20

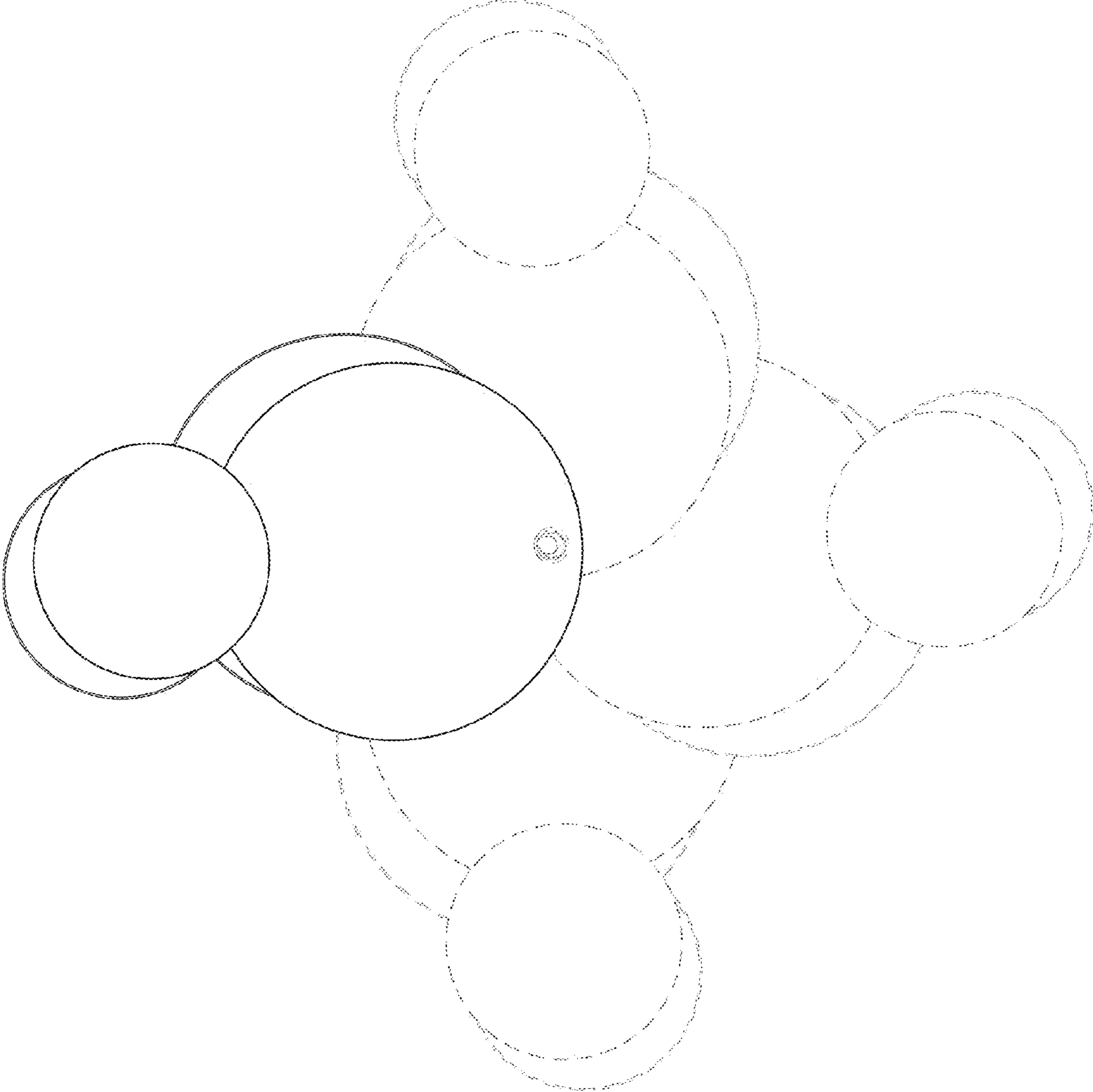


Fig. 21