



US00D878662S

(12) **United States Design Patent** (10) **Patent No.:** **US D878,662 S**
Schuyler et al. (45) **Date of Patent:** **** Mar. 17, 2020**

(54) **LIGHTING FIXTURE** 8/033; F21S 8/035–8/037; F21S 8/04;
F21S 8/043; F21S 8/063

(71) Applicant: **SWAROVSKI LIGHTING, LTD.**,
Plattsburgh, NY (US) See application file for complete search history.

(72) Inventors: **Andrew Schuyler**, Colchester, VT
(US); **Chad Recore**, Peru, NY (US);
Gaetano Ling, Palo Alto, CA (US);
Elger Oberwelz, San Francisco, CA
(US); **Courtney Song**, Saratoga, CA
(US); **Tobias Toft**, San Francisco, CA
(US); **Aaron Wansch**, San Francisco,
CA (US); **Brian Wong**, San Francisco,
CA (US)

(56) **References Cited**

U.S. PATENT DOCUMENTS

5,144,541 A	9/1992	Schonbek	
D346,459 S *	4/1994	King	D26/72
D596,336 S *	7/2009	Sabernig	D26/88
D663,470 S *	7/2012	Ruiz	D26/88
D673,703 S *	1/2013	Davies	D26/89
8,342,718 B2	1/2013	Kikoski	

(Continued)

FOREIGN PATENT DOCUMENTS

WO 2014170292 A1 10/2014

OTHER PUBLICATIONS

Schuyler et al., Design U.S. Appl. No. 29/692,880, filed May 29,
2019, entitled “Light Fixture”, and Preliminary Amendment, filed
May 30, 2019.

(Continued)

(73) Assignee: **Swarovski Lighting, Ltd.**, Plattsburgh,
NY (US)

(**) Term: **15 Years**

(21) Appl. No.: **35/001,501**

(22) Filed: **Feb. 23, 2018**

(80) **Hague Agreement Data**

Int. Filing Date: **Feb. 23, 2018**
Int. Reg. No.: **DM/100884**
Int. Reg. Date: **Feb. 23, 2018**
Int. Reg. Pub. Date: **May 11, 2018**

Primary Examiner — Natasha Vujcic

(74) *Attorney, Agent, or Firm* — Heslin Rothenberg
Farley & Mesiti P.C.

(57) **CLAIM**

The ornamental design for a lighting fixture, as shown and
described.

(51) **LOC (12) Cl.** **26-05**

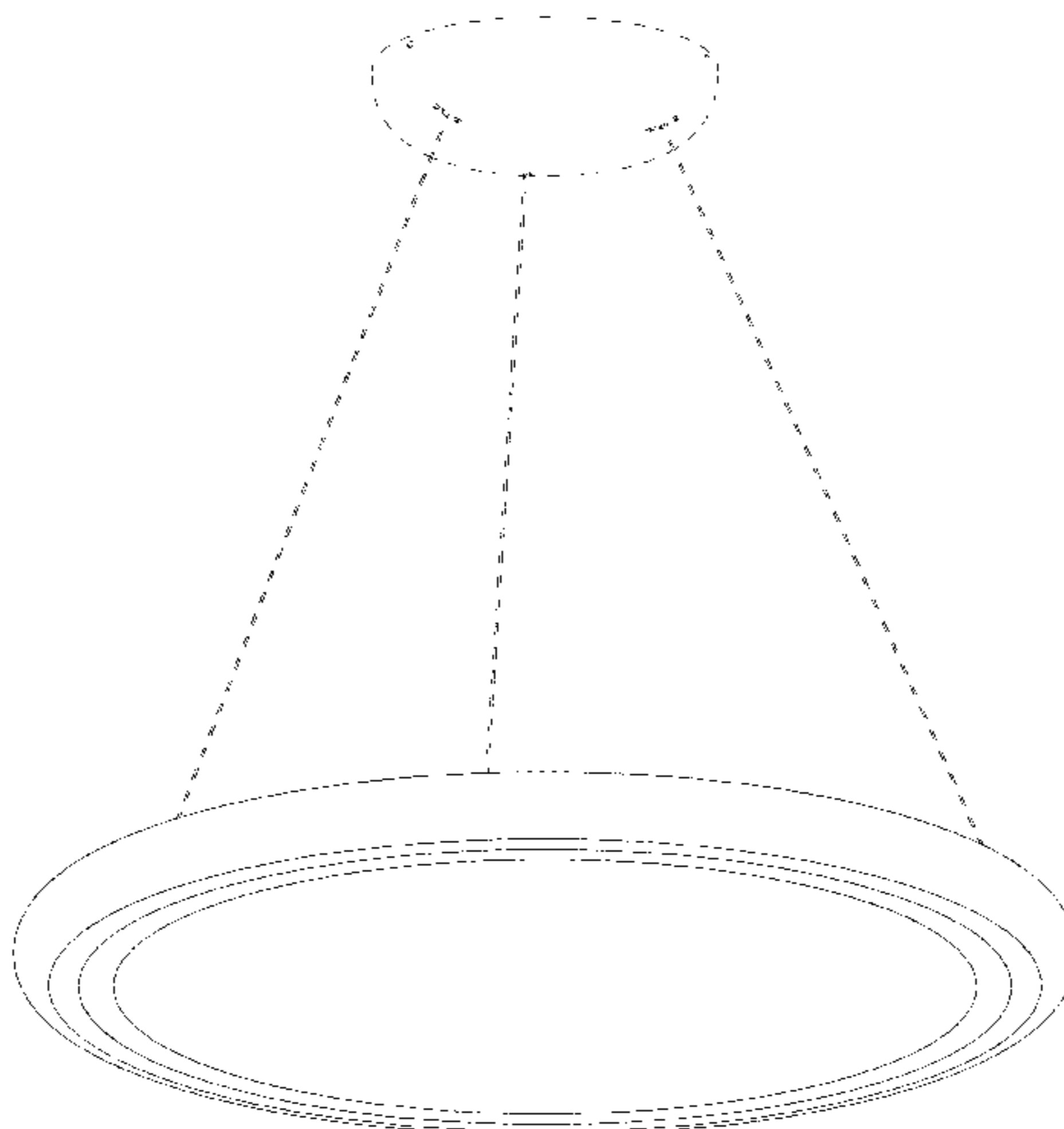
(52) **U.S. Cl.**
USPC **D26/88**

DESCRIPTION

(58) **Field of Classification Search**
USPC D26/67, 70, 72, 74, 76, 78, 79, 80, 81,
D26/82, 83, 85, 86, 88, 90, 93, 111, 113,
D26/118, 119, 120, 121, 122, 138, 139,
D26/140, 141, 142, 152
CPC F21S 2/00; F21S 4/00; F21S 4/003; F21S
4/005; F21S 4/006; F21S 4/007; F21S
4/008; F21S 6/00; F21S 8/00; F21S
8/024; F21S 8/026; F21S 8/031; F21S

Lighting fixture
1.1 Perspective
1.2 Front
1.3 Back
1.4 Top
1.5 Bottom
1.6 Left
1.7 Right

(Continued)



The broken lines in the drawings illustrate portions of the lighting fixture which form no part of the claimed design.

2016/0286630 A1 9/2016 Witzgall
2017/0086280 A1 3/2017 Boomgaarden et al.
2017/0299146 A1 10/2017 Meerbeek et al.

1 Claim, 7 Drawing Sheets

OTHER PUBLICATIONS

(56)

References Cited

U.S. PATENT DOCUMENTS

D710,631	S *	8/2014	Pirayesh	D6/672
D780,980	S *	3/2017	Starck	D26/89
D781,487	S *	3/2017	Starck	D26/89
D797,982	S *	9/2017	Sonneman	D26/88
D803,459	S *	11/2017	Wright	D26/88
D806,928	S *	1/2018	Amato	D26/88
D807,562	S *	1/2018	Amato	D26/88
D809,180	S *	1/2018	Oh	D26/86
D829,361	S *	9/2018	Deng	D26/88
D830,611	S *	10/2018	Boissevain	D26/89
D830,612	S *	10/2018	Boissevain	D26/89
D834,002	S *	11/2018	Bergfeldt	D14/218
D835,827	S *	12/2018	Amato	D26/72
D837,443	S *	1/2019	Slaatto	D26/118
2012/0119657	A1	5/2012	Snijder et al.		
2014/0001964	A1	1/2014	Ono		
2015/0300617	A1	10/2015	Katona et al.		

Schuyler et al., U.S. Appl. No. 15/907,957, filed Feb. 28, 2018, entitled "Integrated Programmable Effect and Functional Lighting Module".

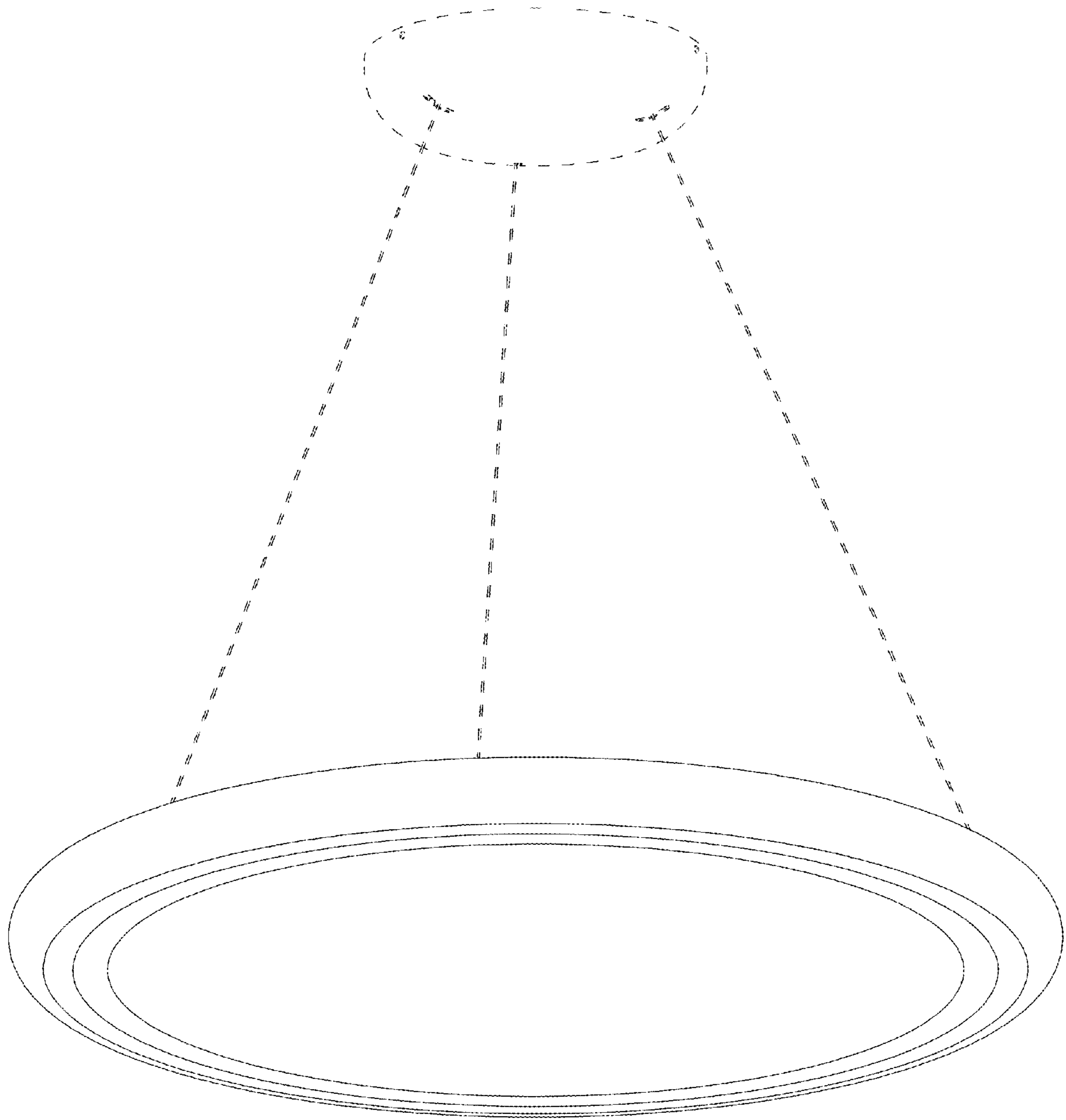
Schuyler et al., U.S. Appl. No. 15/907,957, filed Feb. 28, 2019, entitled "Integrated Programmable Effect and Functional Lighting Module".

Schuyler et al., International Patent Application No. PCT/US2018/020244, filed Feb. 28, 2018, entitled "Integrated Programmable Effect and Functional Lighting Module".

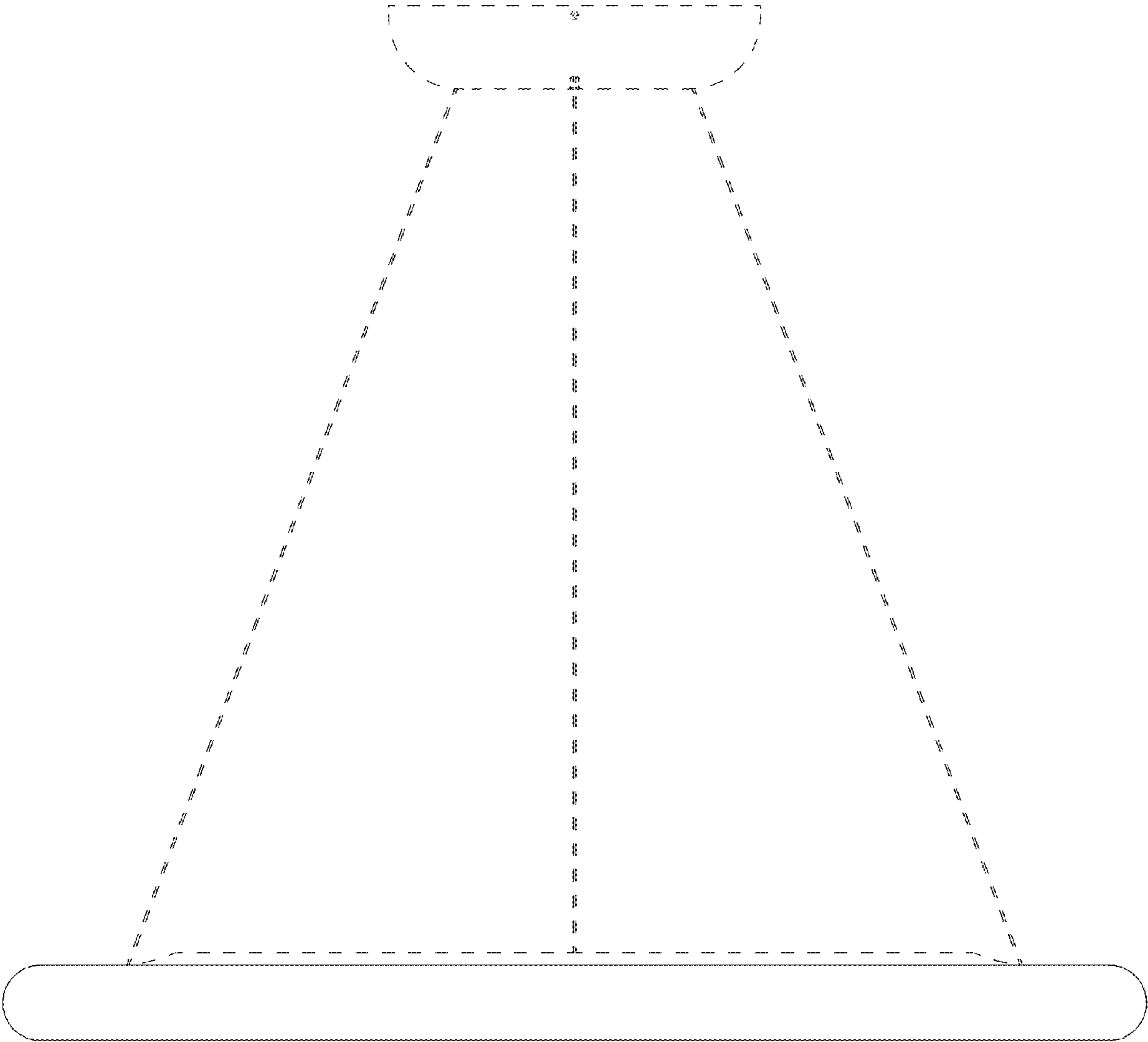
International Search Report and Written Opinion for International Application Serial No. PCT/US2018/020244 dated Nov. 27, 2018. Infinity Mirrors, available from Light Energy Studio, Chatsworth California, printed from the Internet on May 14, 2019, (Wayback Verification Crawl presence date Feb. 6, 2015, <https://web.archive.org/web/20150206013203/http://lightenergystudio.com/infinitymain.html>), 12 pages, at least as early as Feb. 6, 2015.

Swarovski Circle Pendant Light, 5 pages, at least as early as Aug. 19, 2013.

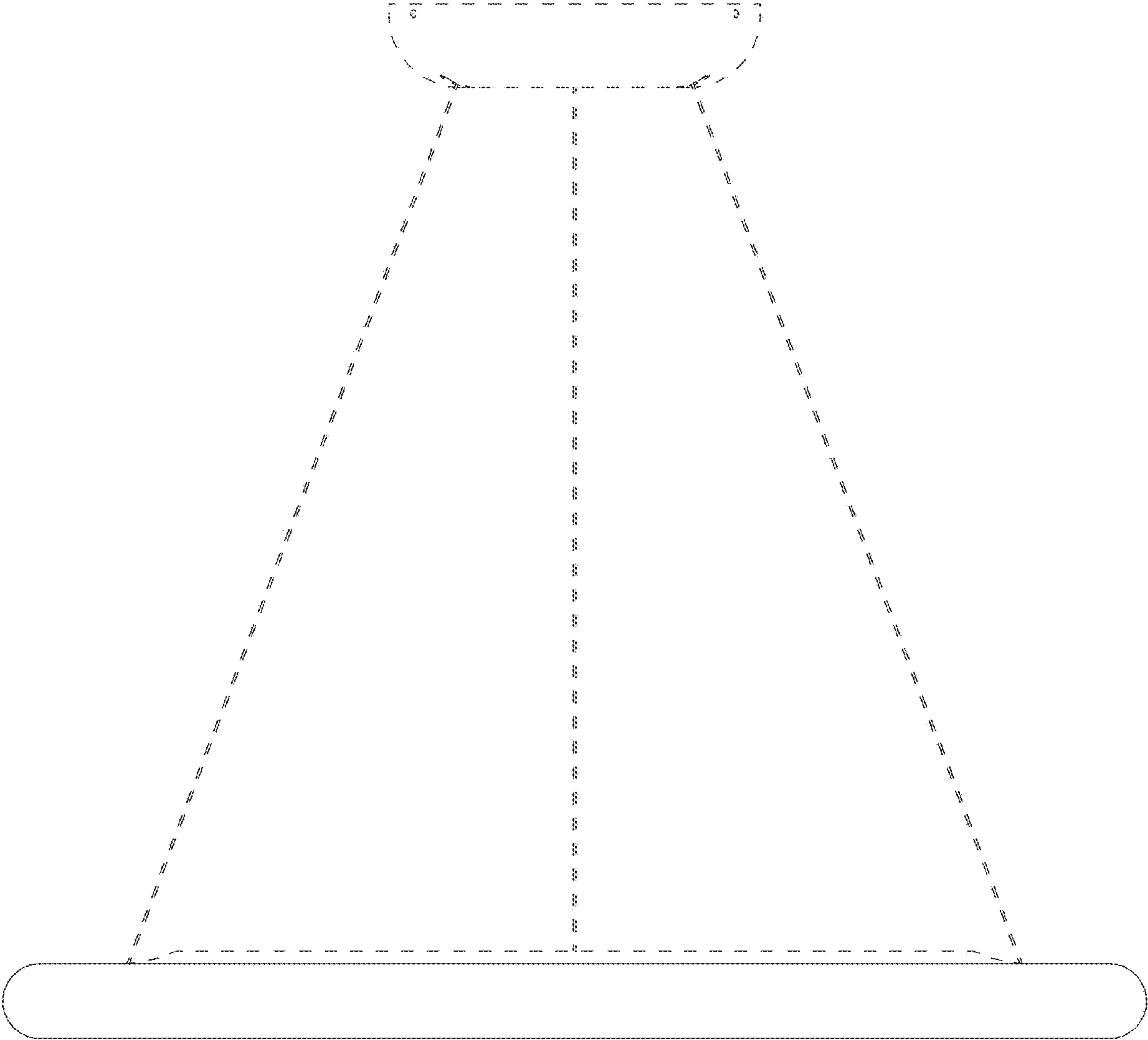
* cited by examiner



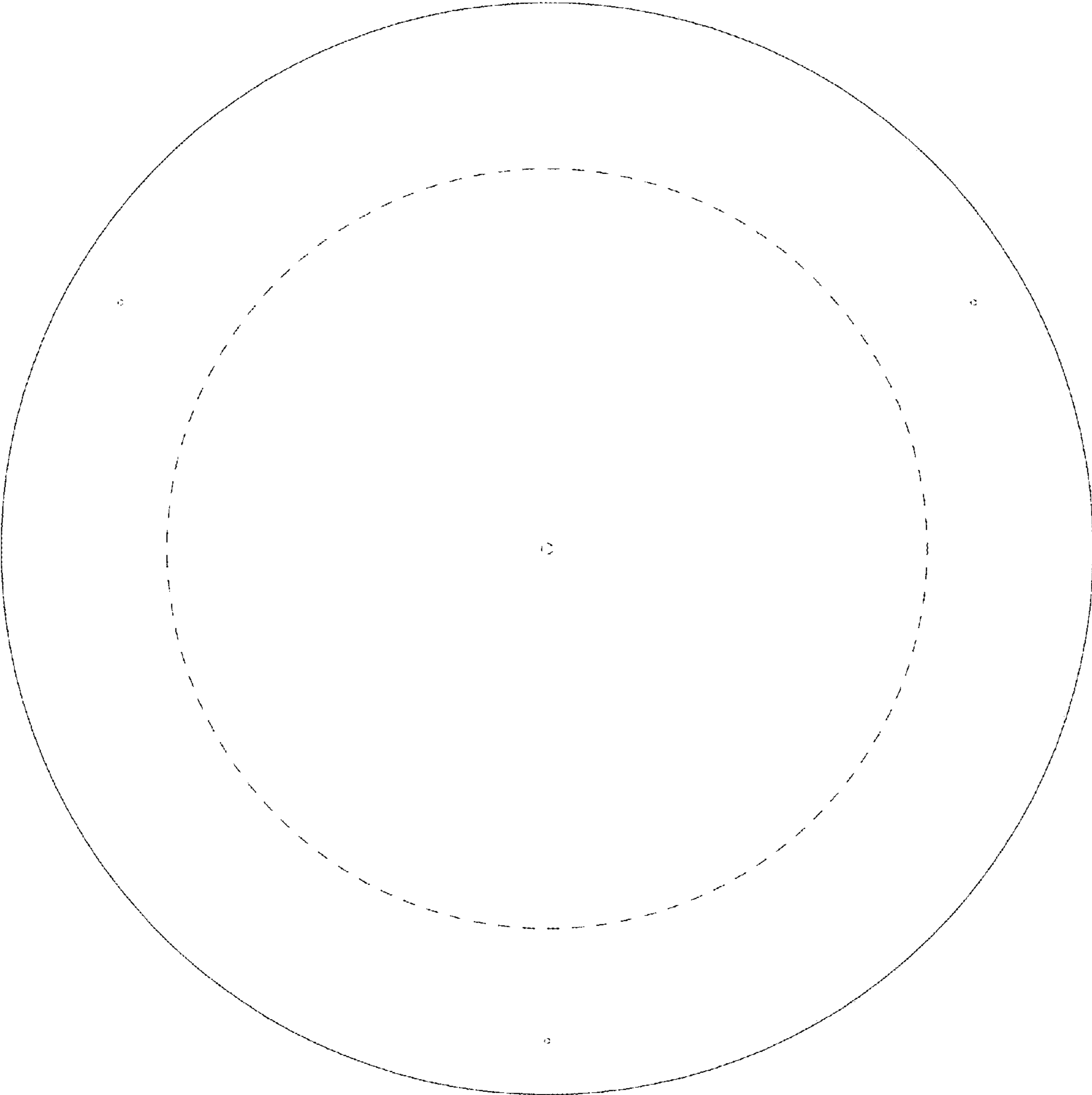
1.1



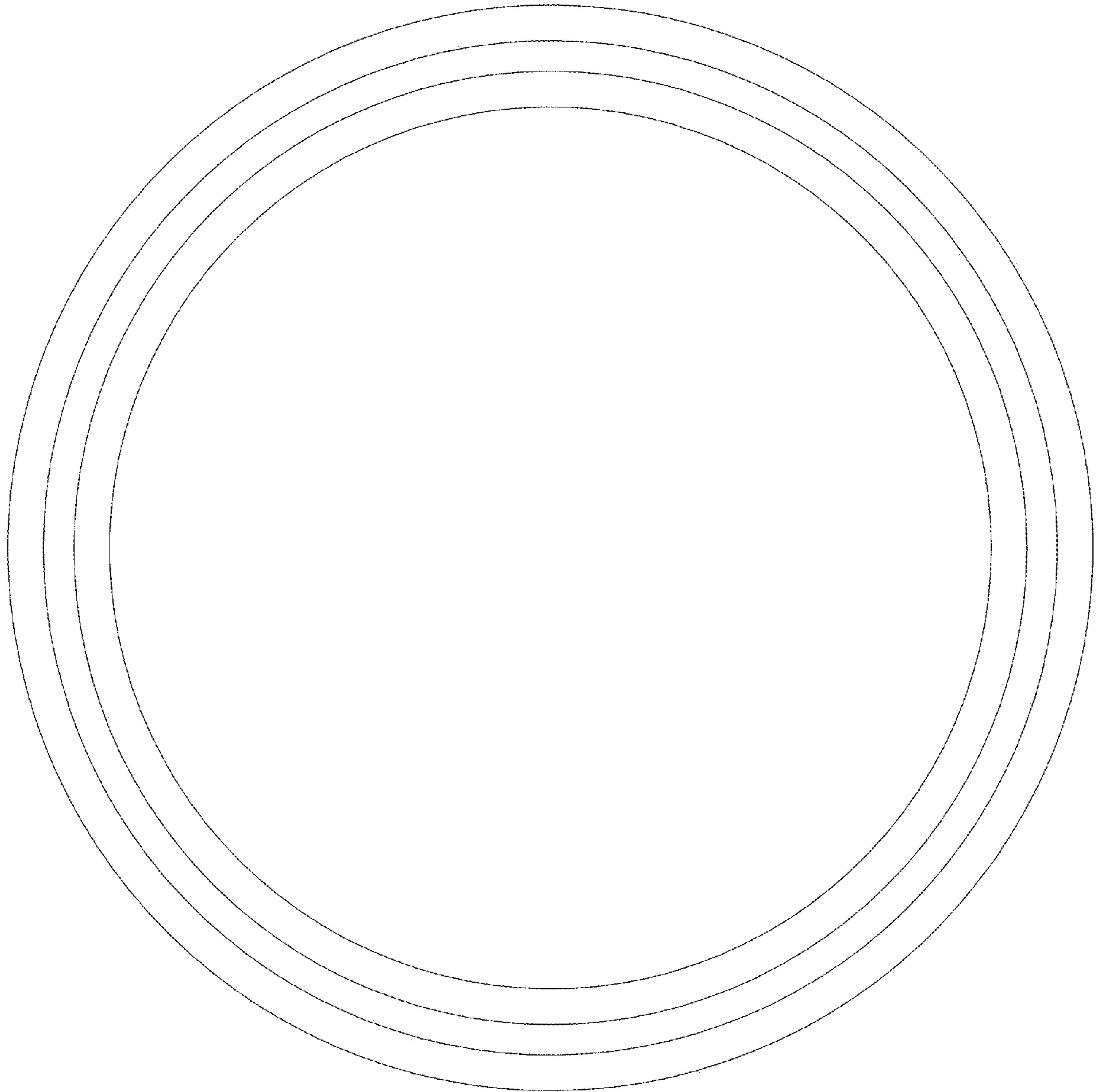
1.2



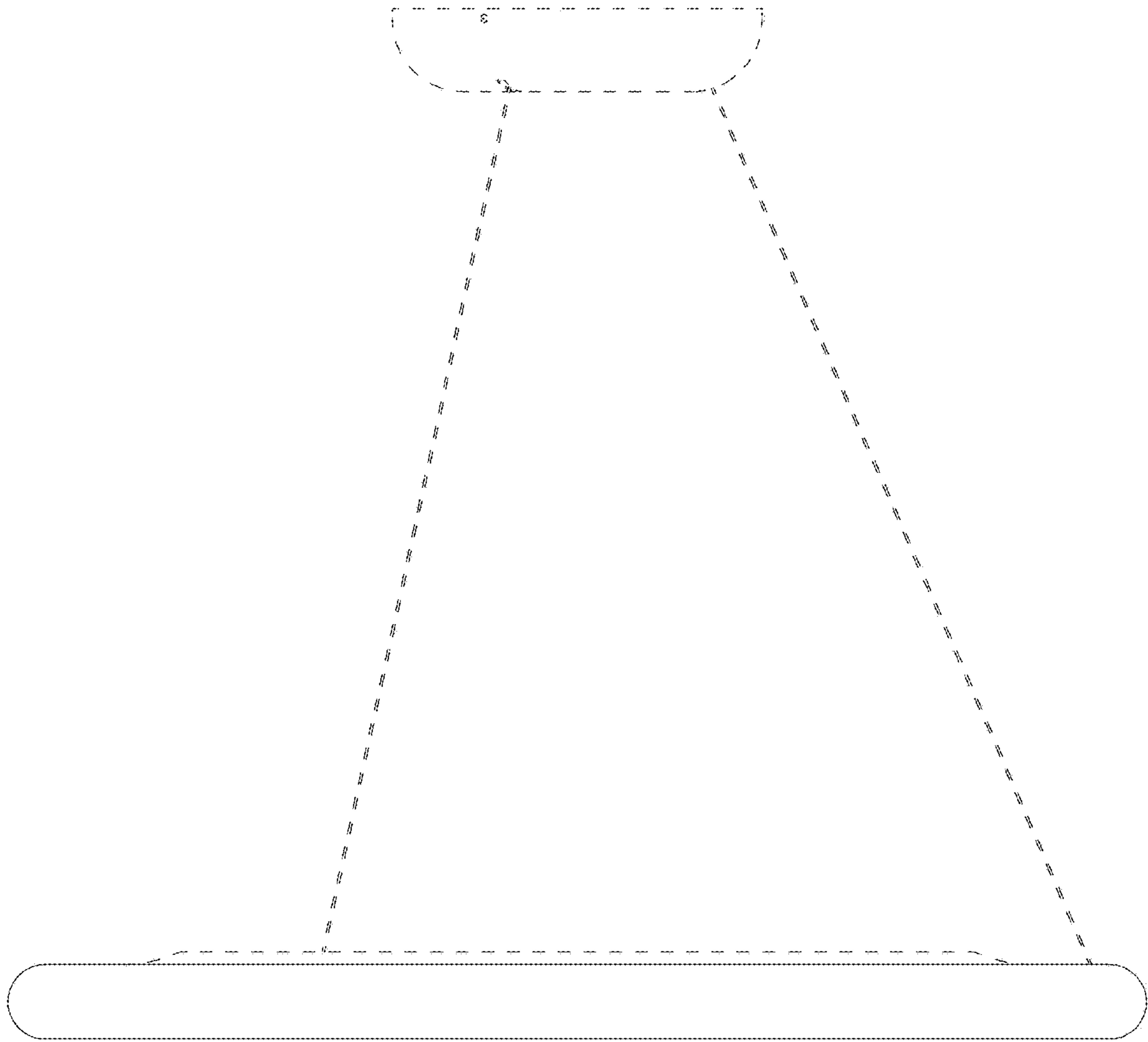
1.3



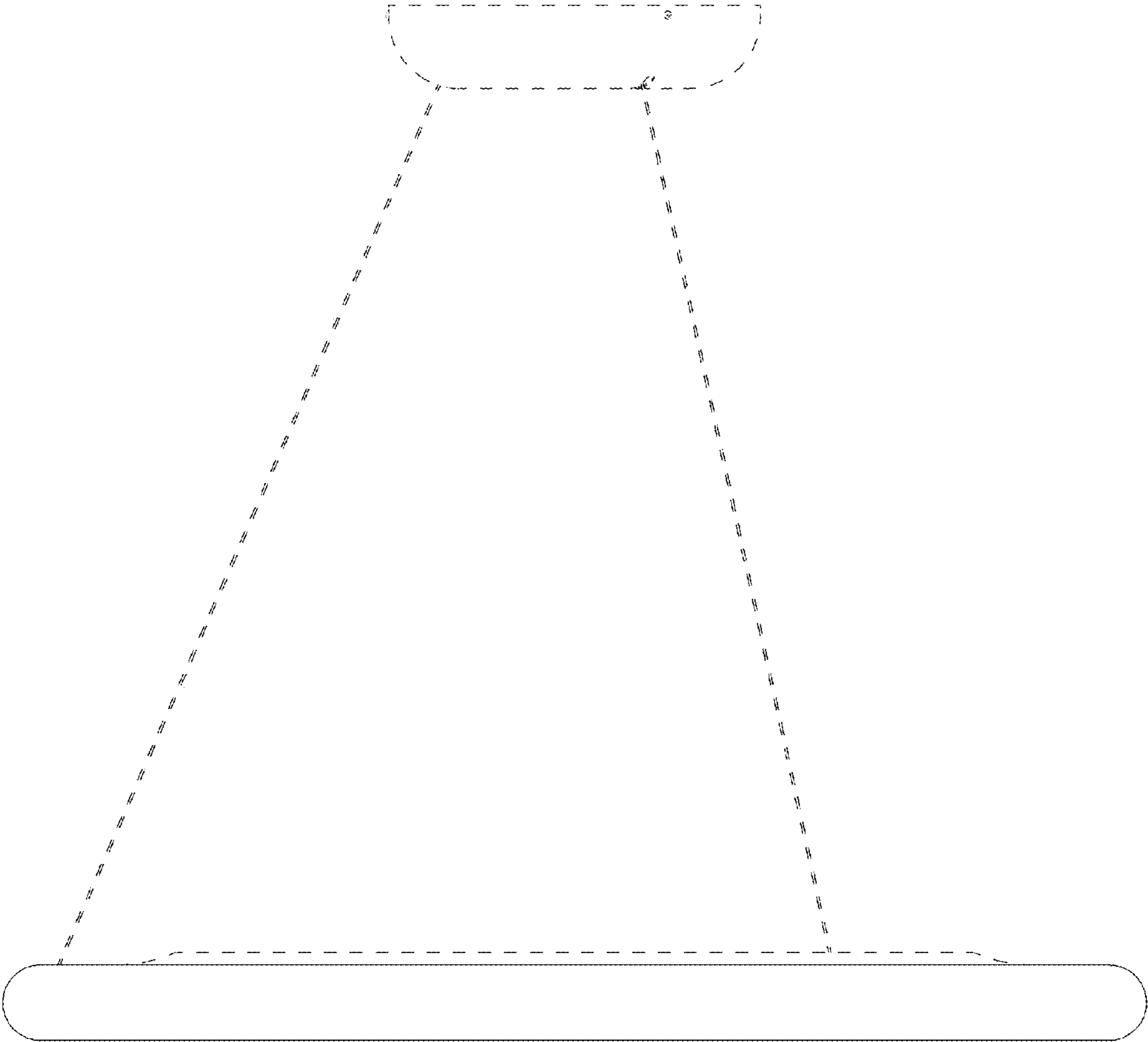
1.4



1.5



1.6



1.7