



US00D878661S

(12) **United States Design Patent** (10) **Patent No.:** **US D878,661 S**
Vasquez et al. (45) **Date of Patent:** **** Mar. 17, 2020**

(54) **WALL MOUNTED LED LIGHT BAR**

(71) Applicants: **Robert Vasquez**, Gilbert, AZ (US);
Brian Freeland, Chandler, AZ (US)

(72) Inventors: **Robert Vasquez**, Gilbert, AZ (US);
Brian Freeland, Chandler, AZ (US)

(73) Assignee: **SHAWSHANK LEDZ INC.**, Gilbert,
AZ (US)

(**) Term: **15 Years**

(21) Appl. No.: **29/646,645**

(22) Filed: **May 7, 2018**

(51) **LOC (12) Cl.** **26-05**

(52) **U.S. Cl.**
USPC **D26/80**

(58) **Field of Classification Search**
USPC D26/42, 58, 72, 75, 76, 80, 81, 90, 102,
D26/82, 83; D10/106.6, 106.8
CPC F21V 7/005; F21V 7/0008; F21V 7/0016;
F21S 8/031; F21S 8/038; F21S 8/04;
F21S 8/06; F21S 8/063; F21S 8/066;
F21S 4/00; F21S 4/28; F21S 9/02; F21S
8/00; F21S 8/03; F21Y 2101/00; F21Y
2103/00; F21Y 2103/10
See application file for complete search history.

(56) **References Cited**

U.S. PATENT DOCUMENTS

D374,737 S *	10/1996	Can	D26/80
D384,762 S *	10/1997	Roorda	D26/24
D384,763 S *	10/1997	Roorda	D26/24
6,050,708 A *	4/2000	Roorda	F21S 8/00 362/133
D443,096 S *	5/2001	Echito	D26/76
D469,711 S	2/2003	Neufeglise et al.		
D476,253 S	6/2003	Stein et al.		
D530,029 S	10/2006	Neufeglise et al.		
D530,437 S	10/2006	Neufeglise et al.		

D567,968 S	4/2008	Liu et al.		
D608,674 S	1/2010	Lyons		
D615,223 S	5/2010	Huang		
D640,946 S	7/2011	Martin		
D663,467 S *	7/2012	Apetauer	D26/74
D671,674 S *	11/2012	Cho	D26/118
D681,866 S *	5/2013	Lin	D26/120
D687,178 S *	7/2013	Grandsart	D26/85
D713,981 S	9/2014	Law et al.		
D736,432 S	8/2015	Elwell et al.		
D737,500 S *	8/2015	Santoro	D26/120
D768,896 S	10/2016	Smith		

(Continued)

OTHER PUBLICATIONS

US Trademark Serial No. 85424721; Mark—Magic Seasons Filing date: Sep. 16, 2011.

(Continued)

Primary Examiner — Cathron C Brooks
(74) *Attorney, Agent, or Firm* — LegalForce RAPC
Worldwide

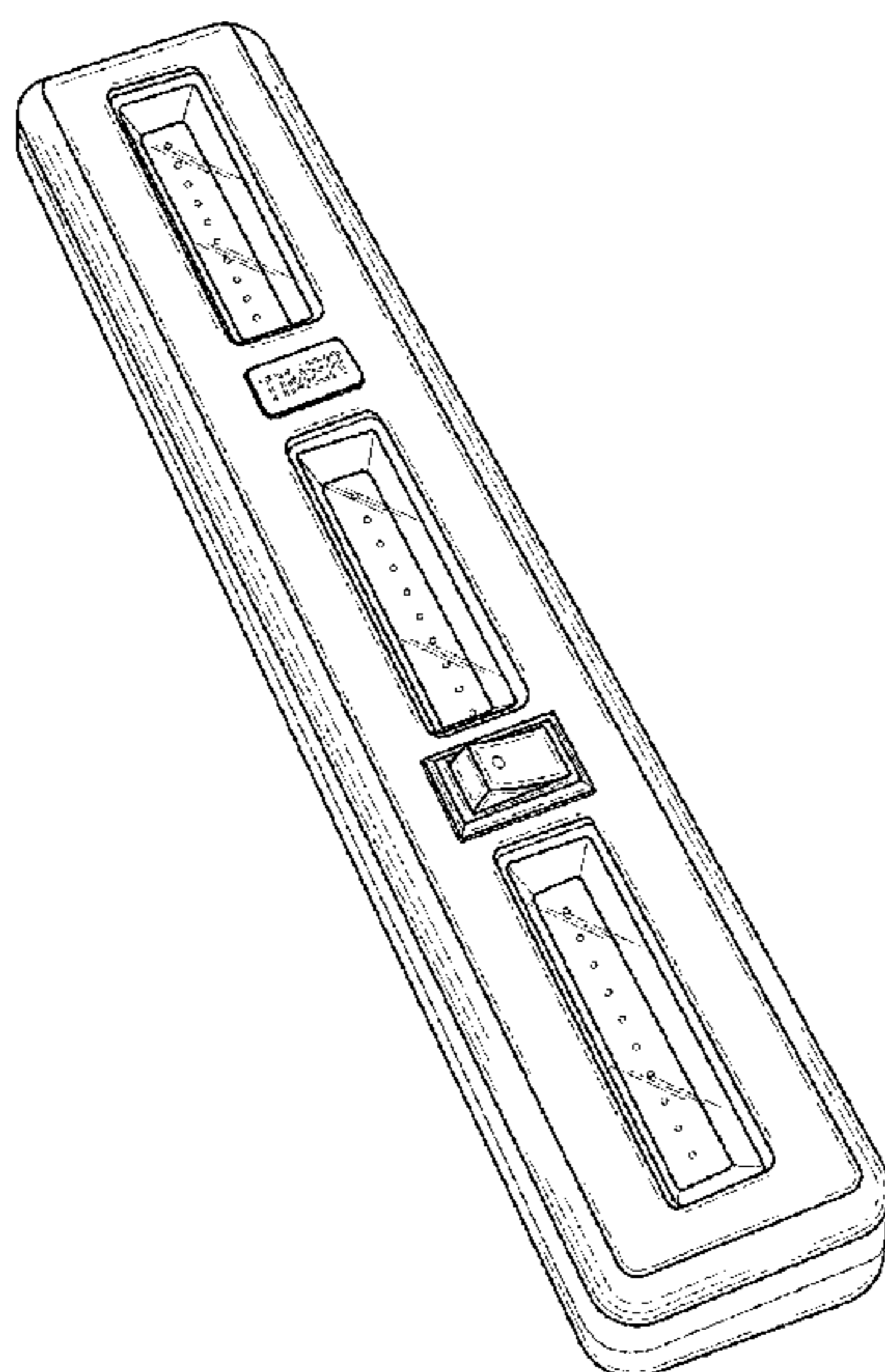
(57) **CLAIM**

The ornamental design for a wall mounted LED light bar, as shown and described.

DESCRIPTION

FIG. 1 is a front bottom right side perspective view for a wall mounted LED light bar, showing our new design;
FIG. 2 is a front elevational view of FIG. 1 thereof;
FIG. 3 is a rear elevational view of FIG. 1 thereof;
FIG. 4 is a left side elevational view of FIG. 1 thereof;
FIG. 5 is a right side elevational view of FIG. 1 thereof;
FIG. 6 is a top plan view of FIG. 1 thereof; and,
FIG. 7 is a bottom plan view of FIG. 1 thereof.
The broken lines in the drawings illustrate portions of the wall-mounted LED light bar that form no part of the claimed design.

1 Claim, 6 Drawing Sheets



(56)

References Cited

U.S. PATENT DOCUMENTS

D771,304 S * 11/2016 Goltche D26/120
D779,985 S 2/2017 Deyaf et al.
2014/0313775 A1* 10/2014 Myers F21S 8/026
362/612

OTHER PUBLICATIONS

US Trademark Serial No. 85424691; Mark—Blazing Ledz Filing date: Sep. 16, 2011 Publication date: Mar. 6, 2012.

US Trademark Serial No. 85425045; Mark—Blacklight Master Filing date: Sep. 16, 2011 Publication date: Sep. 4, 2012.

US Trademark Serial No. 87561976; Mark—Shawsank Ledz Filing date: Aug. 9, 2017 Publication date: Dec. 12, 2017.

US Trademark Serial No. 85243364; Mark—Scorpion Master Filing date: Feb. 16, 2011 Publication date: Jun. 28, 2011.

“Cob Jumbo Timer Light Bar”, by Blazing Ledz, Found Online on [Jul. 19, 2018] https://images.homedepot-static.com/productimages/d51580ae-1baf-462e-abb1-141b7593ee03/svn/whites-blazing-ledz-flashlights-702666-64_1000.jpg.

“Cob Stick Wand Light”, by Blazing Ledz, Found Online on [Jul. 19, 2018] <https://images-na.ssl-images-amazon.com/images/I/51hJNLxblDL.jpg>.

8 “Twin Pack of White LED Battery Operated Stick-On Touch Tap Lights”, by Lights4fun Inc. , Found Online on [Jul. 19, 2018] https://images-na.ssl-images-amazon.com/images/I/61x1XvTNOBL_SL1500_.jpg.

“LED Motion Sensor Light Bar”, by LED Concepts, Found Online on [Jul. 19, 2018] https://images-na.ssl-images-amazon.com/images/I/61vwakb15WL_SL1300_.jpg.

“LED Wireless Motion Sensor Light USB Charging Stick-on Light”, by AGPtek, Found Online on [Jul. 19, 2018] https://i5.walmartimages.com/asr/dc30787a-7ff0-48f2-acce-f07e873e794d_1.6dd1f6e54009225cf989b19f9982d059.jpeg?odnWidth=undefined&odnHeight=undefined&odnBg=ffff.

6dd1f6e54009225cf989b19f9982d059.jpeg?odnWidth=undefined&odnHeight=undefined&odnBg=ffff.

* cited by examiner

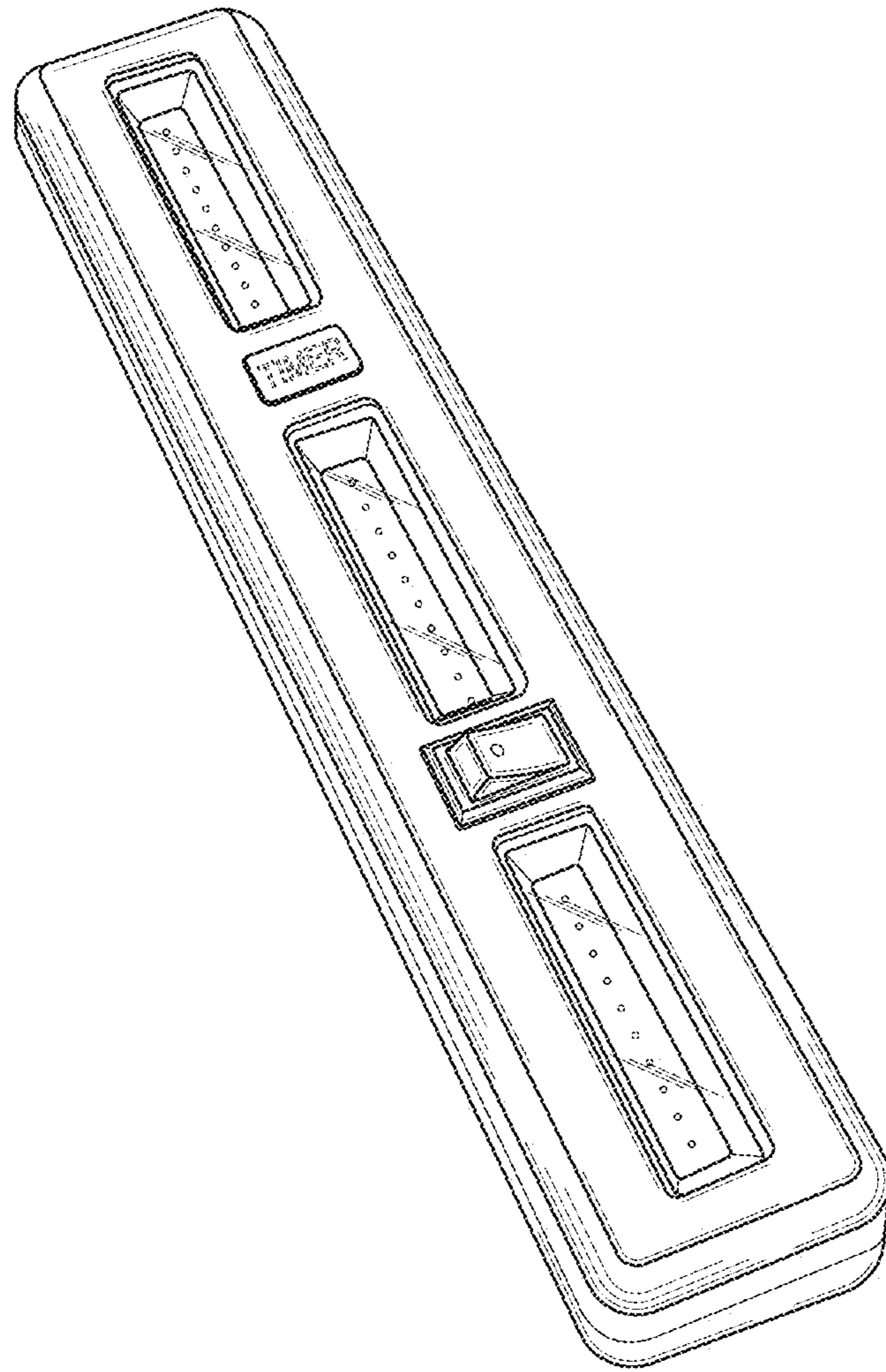


FIG. 1

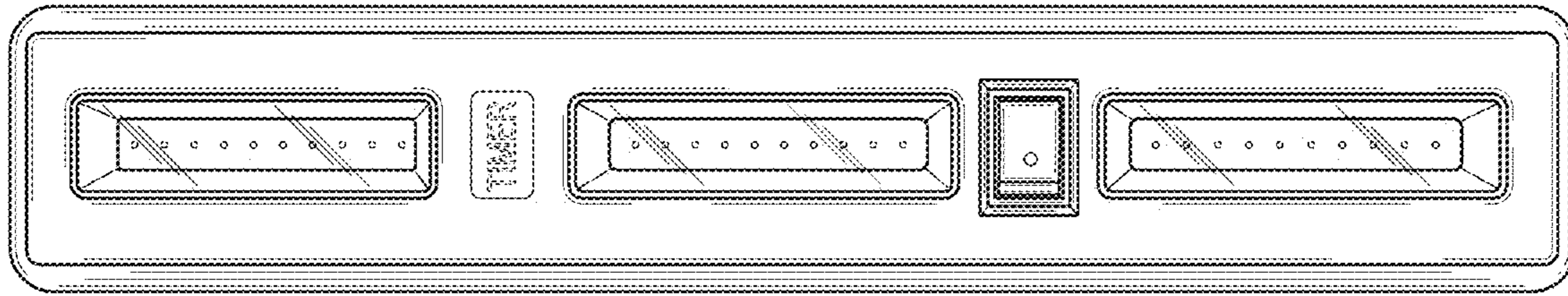


FIG. 2

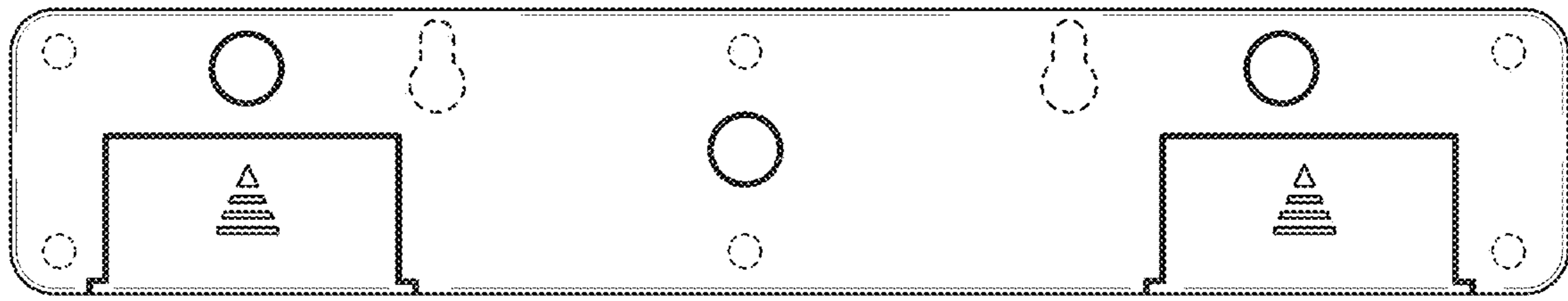


FIG. 3

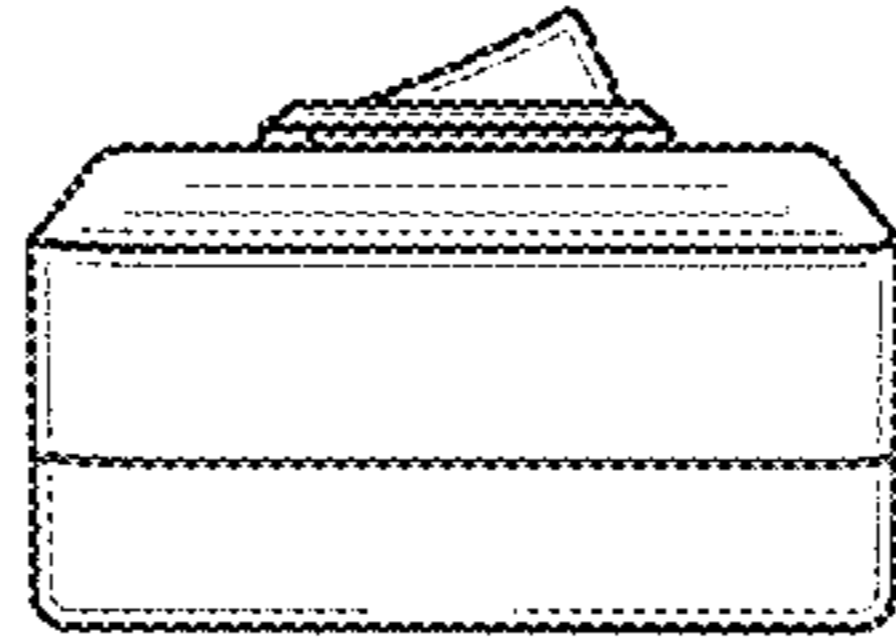


FIG. 4

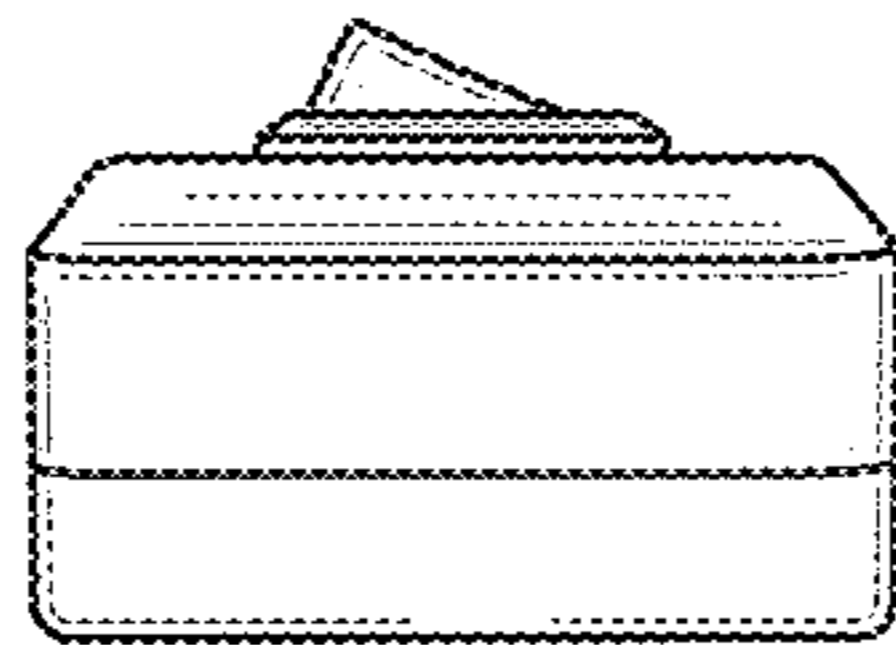


FIG. 5

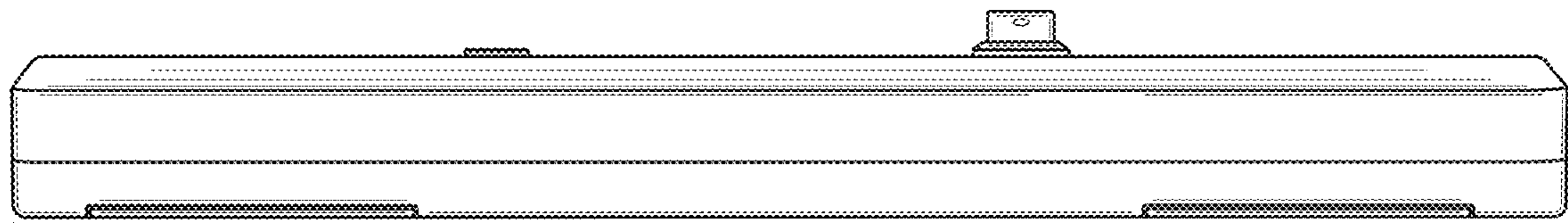


FIG. 6

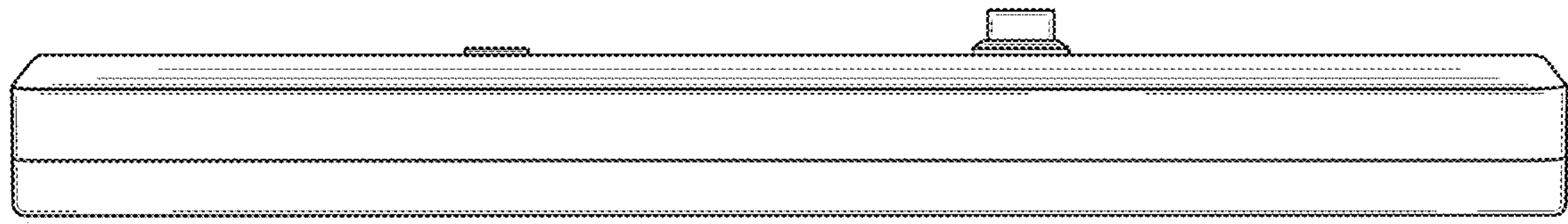


FIG. 7