



US00D878655S

(12) **United States Design Patent**  
**Lu et al.**

(10) **Patent No.:** **US D878,655 S**

(45) **Date of Patent:** **\*\* Mar. 17, 2020**

(54) **WORKING LAMP**

(71) Applicant: **Xiamen PVTECH Co., Ltd.**, Xiamen, Fujian (CN)

(72) Inventors: **Fuxing Lu**, Fujian (CN); **Xiaoping Lan**, Fujian (CN)

(73) Assignee: **Xiamen PVTECH Co., Ltd.**, Xiamen, Fujian (CN)

(\*\*) Term: **15 Years**

(21) Appl. No.: **29/630,668**

(22) Filed: **Dec. 21, 2017**

(30) **Foreign Application Priority Data**

Sep. 8, 2017 (CN) ..... 2017 3 0424740

(51) **LOC (12) Cl.** ..... **26-03**

(52) **U.S. Cl.**  
USPC ..... **D26/61**

(58) **Field of Classification Search**  
USPC ..... D26/1, 24, 61, 63, 65, 85, 92, 37  
CPC ..... F21V 21/14; F21V 15/01; F21V 14/02;  
F21V 21/30; F21V 21/00; F21V 14/00;  
F21S 8/00; F21S 8/003; F21S 8/043;  
F21Y 2105/001

See application file for complete search history.

(56) **References Cited**

U.S. PATENT DOCUMENTS

D593,236 S *	5/2009	Ng	.....	D26/37
D754,383 S *	4/2016	Kovacik	.....	D26/63
D780,969 S *	3/2017	Zhu	.....	D26/63
D796,718 S *	9/2017	Zhou	.....	D26/63
D820,489 S *	6/2018	Zhang	.....	D26/61
D827,170 S *	8/2018	Zhang	.....	D26/63
D841,853 S *	2/2019	Wu	.....	D26/63

\* cited by examiner

*Primary Examiner* — Brian N. Vinson

(74) *Attorney, Agent, or Firm* — Winston Hsu

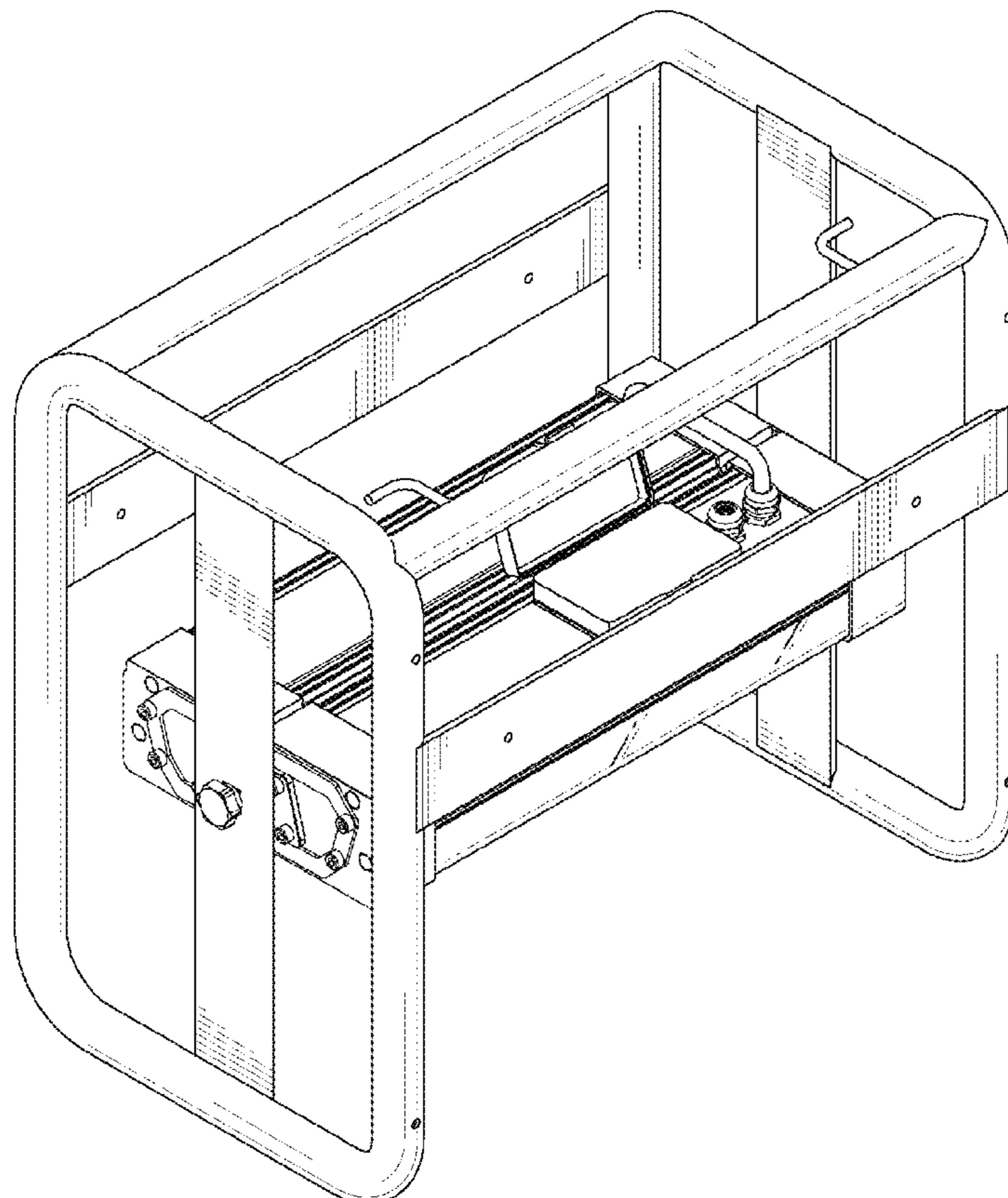
(57) **CLAIM**

The ornamental design for a work lamp, as shown and described.

**DESCRIPTION**

FIG. 1 is a perspective view of a work lamp showing my new design;  
FIG. 2 is a front view thereof;  
FIG. 3 is a rear view thereof;  
FIG. 4 is a left side view thereof;  
FIG. 5 is a right side view thereof;  
FIG. 6 is a top view thereof; and,  
FIG. 7 is a bottom view thereof.

**1 Claim, 7 Drawing Sheets**



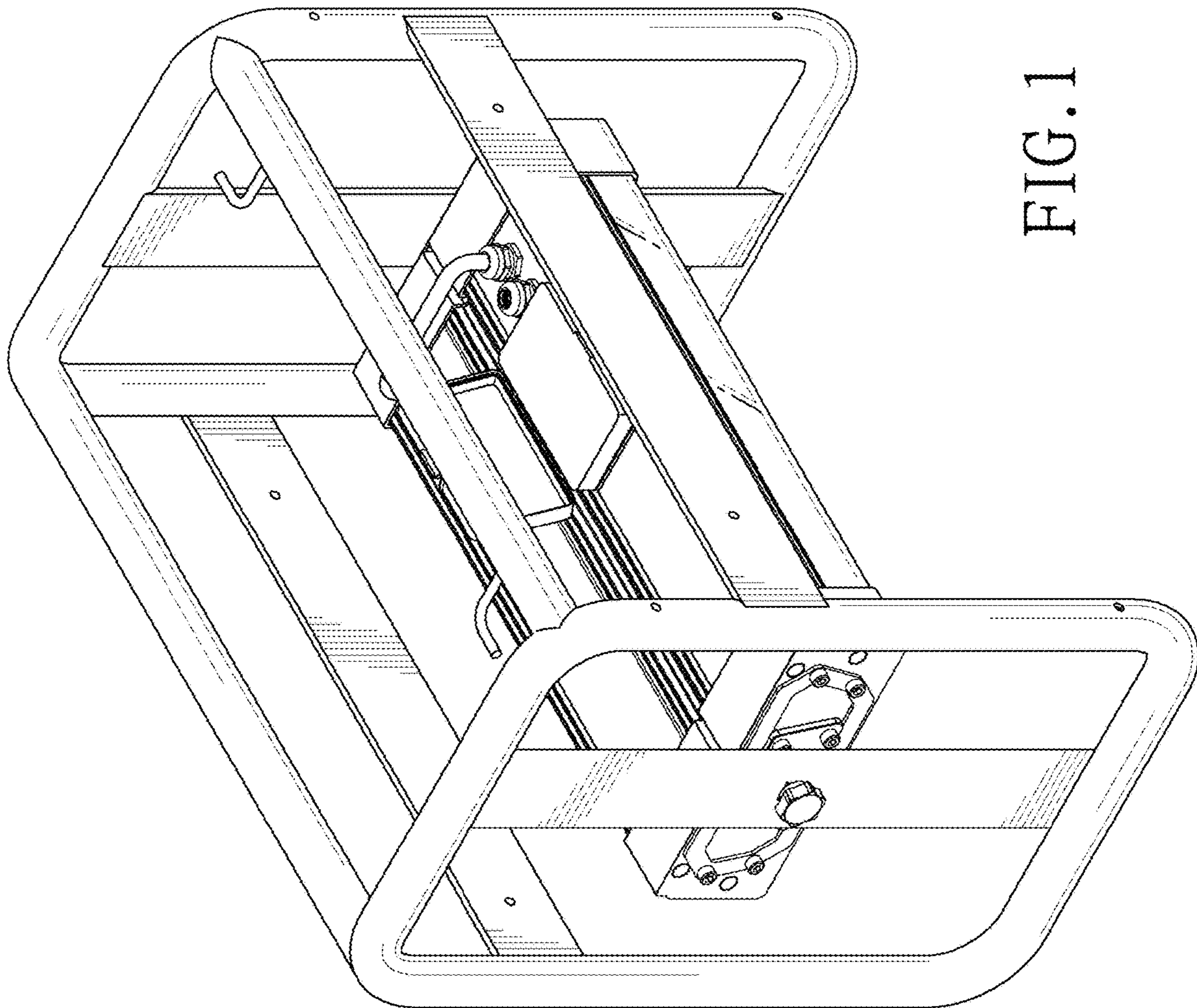


FIG. 1

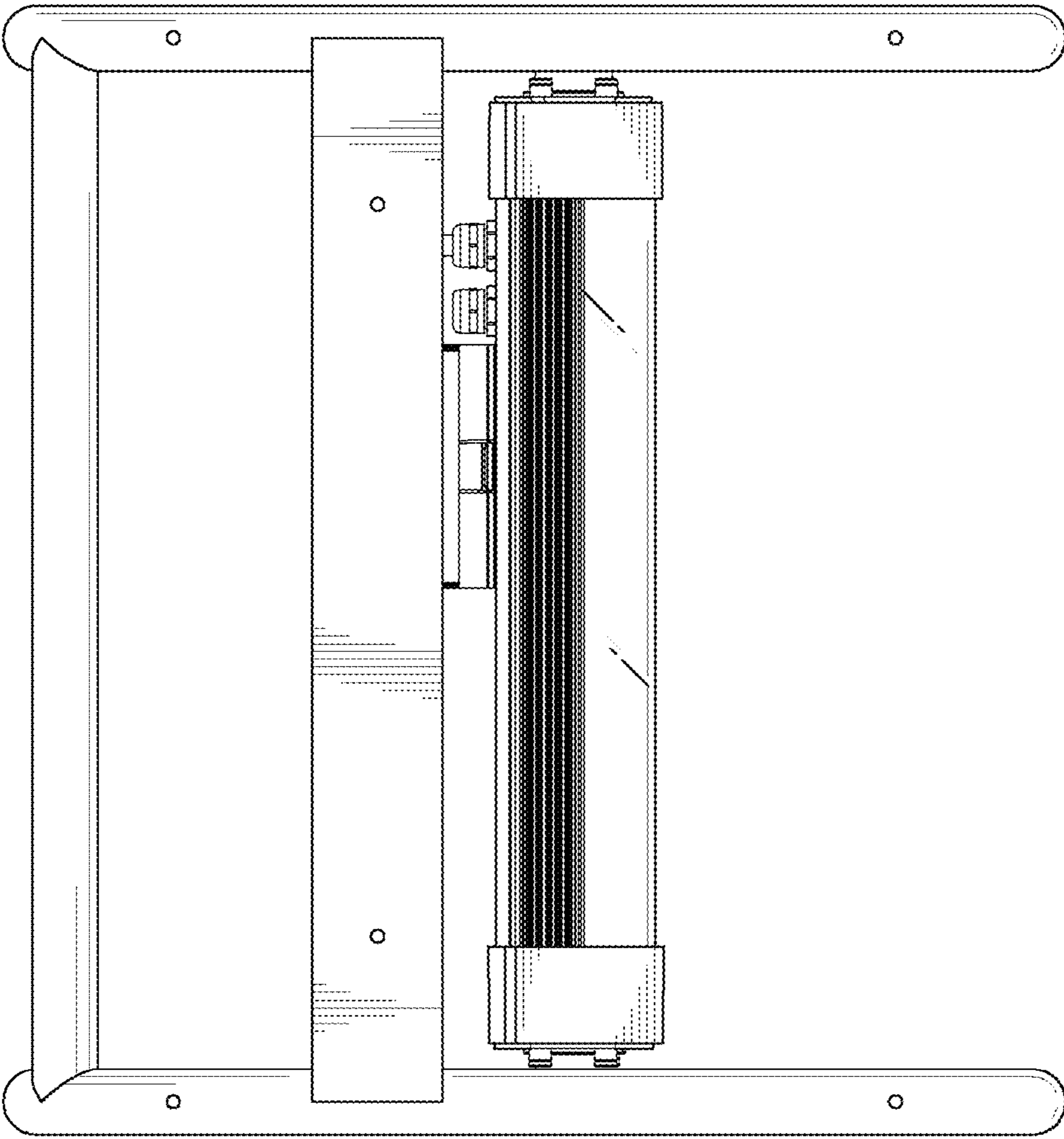


FIG. 2

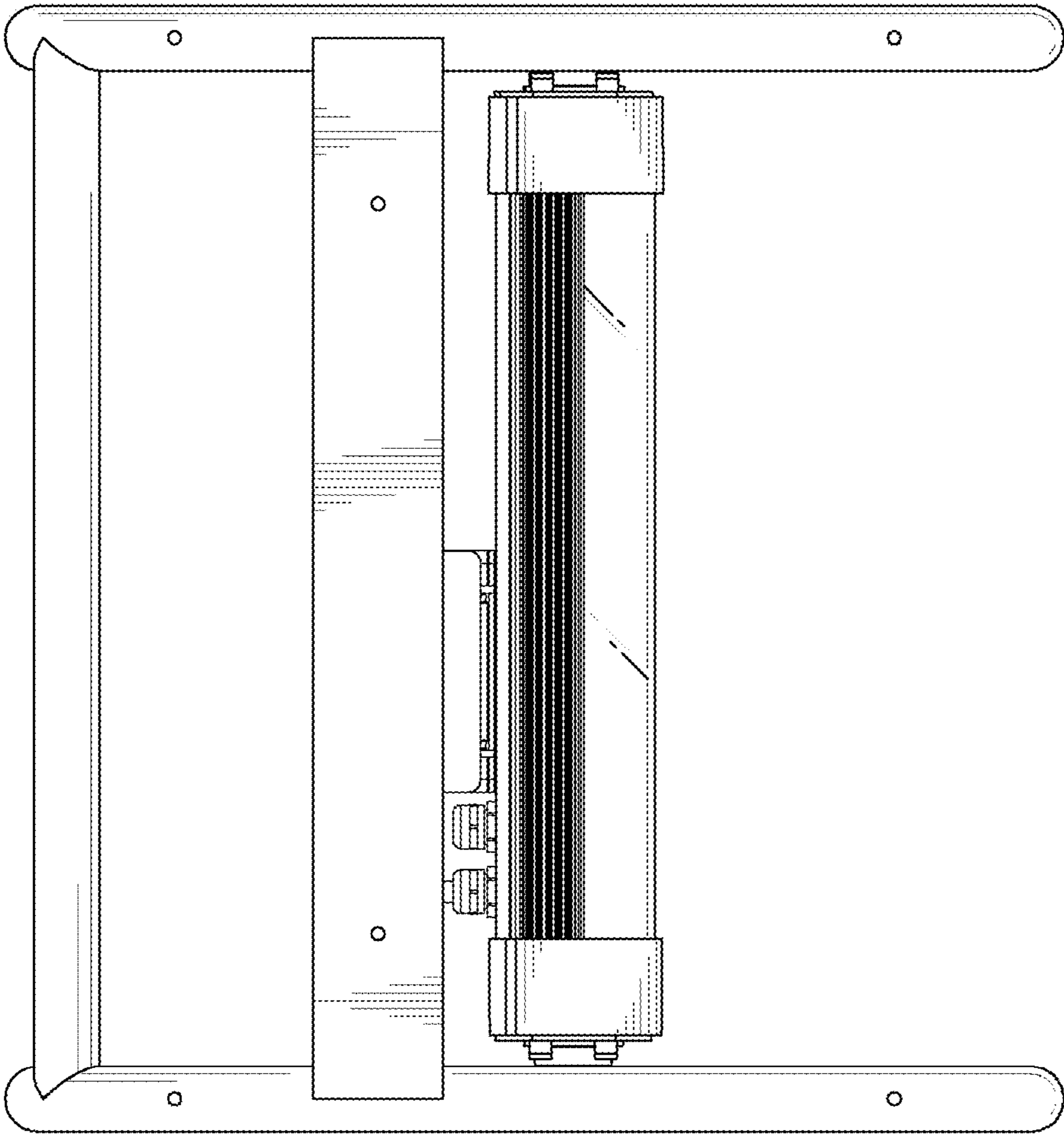


FIG. 3

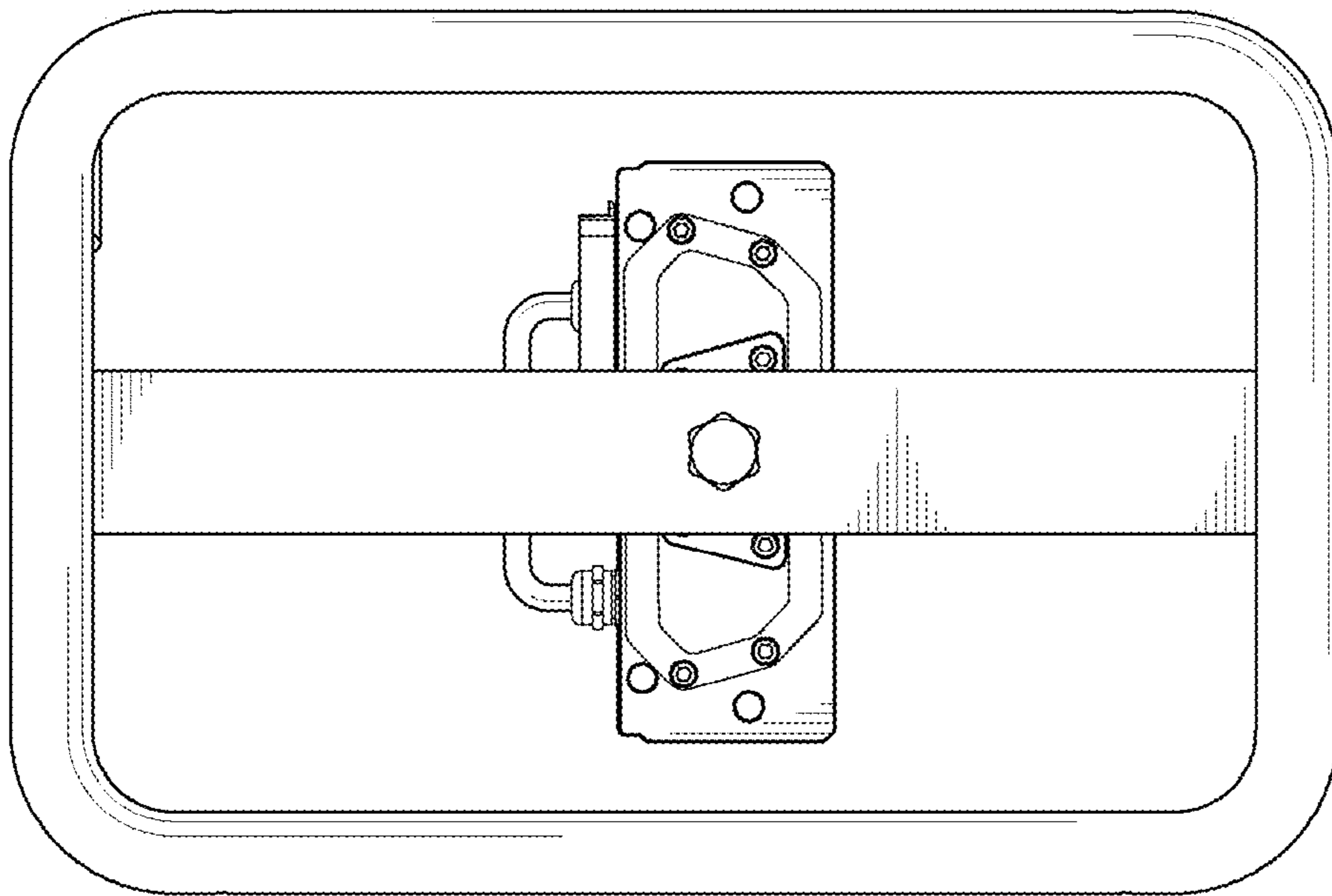


FIG. 4

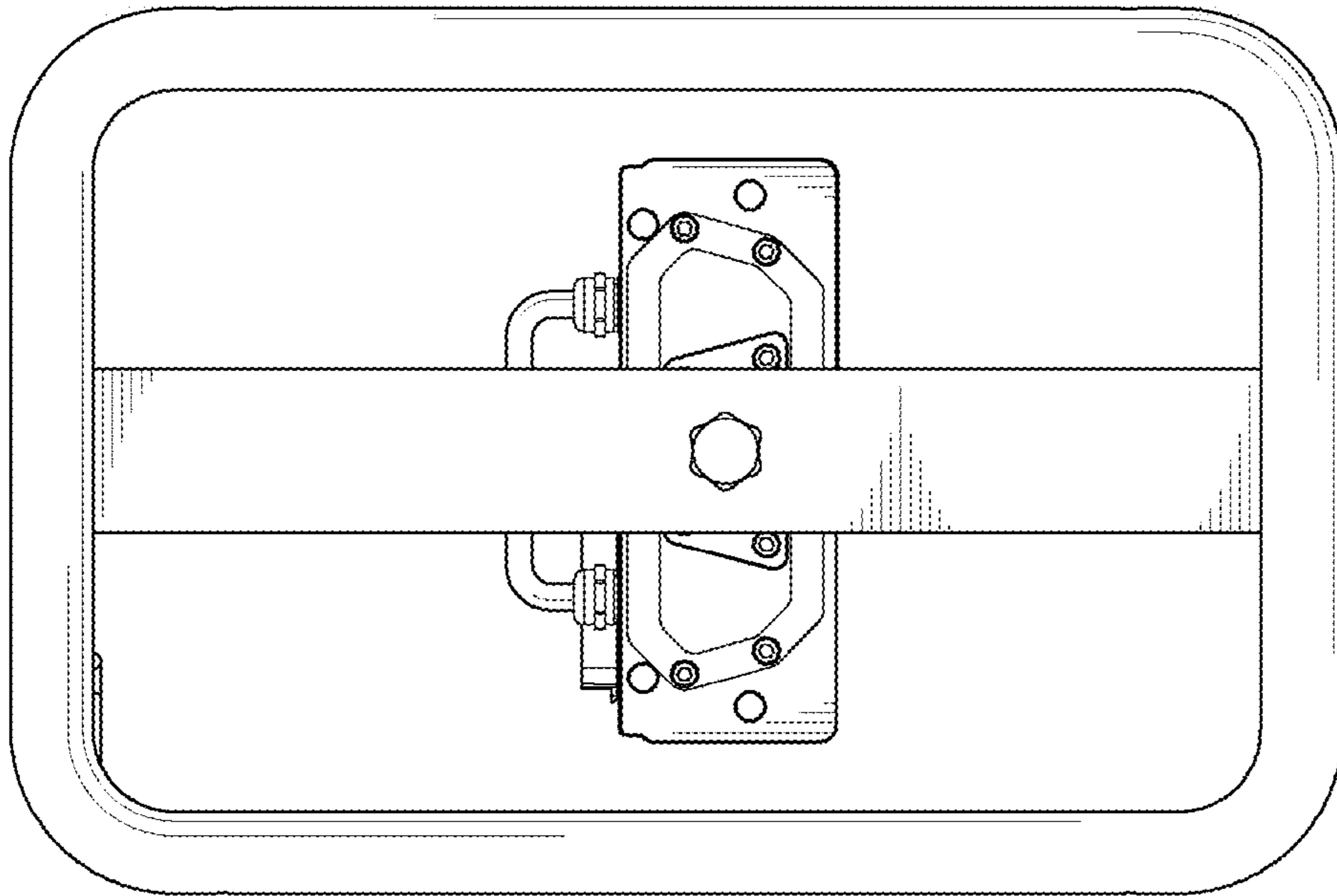


FIG. 5

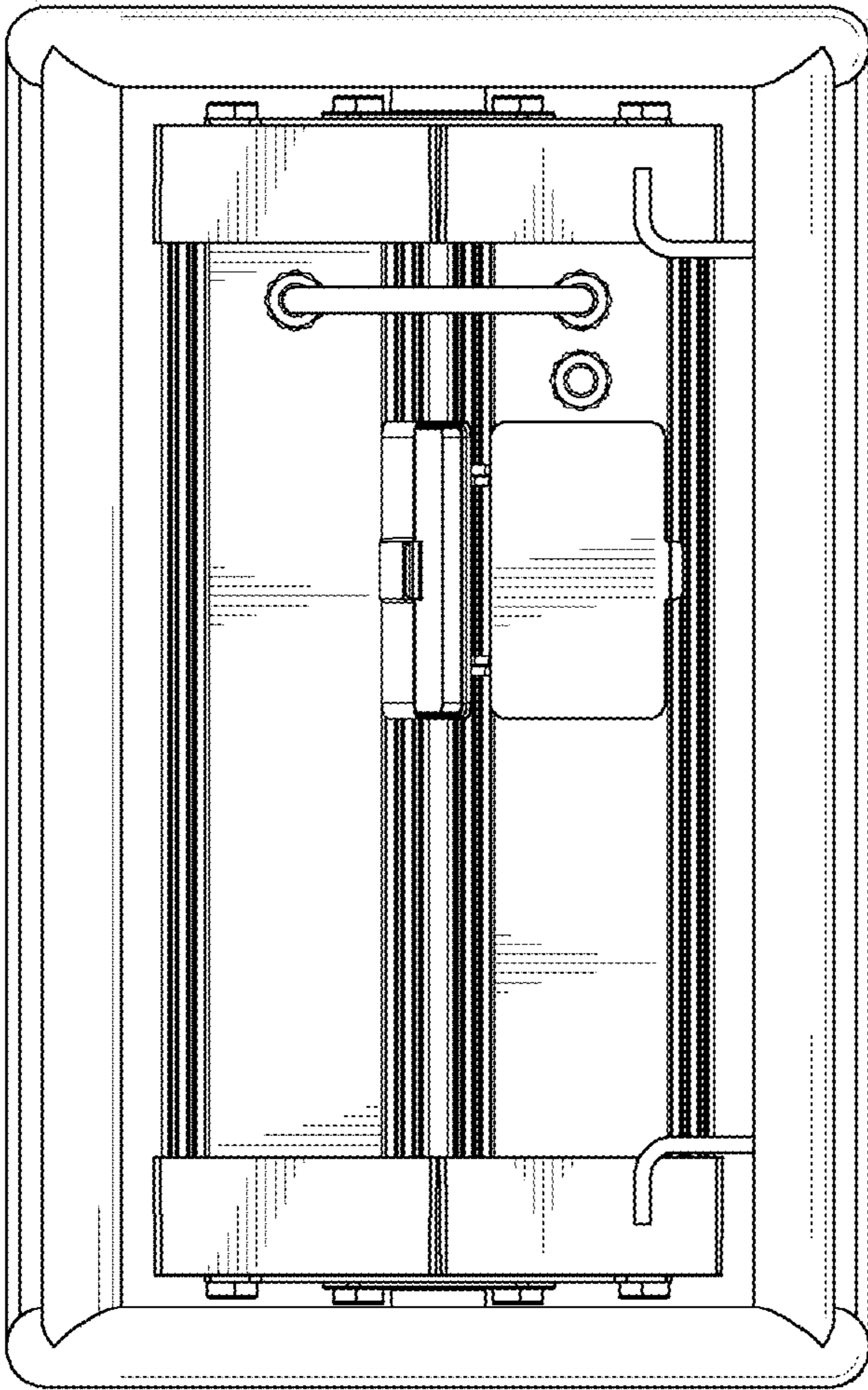


FIG. 6

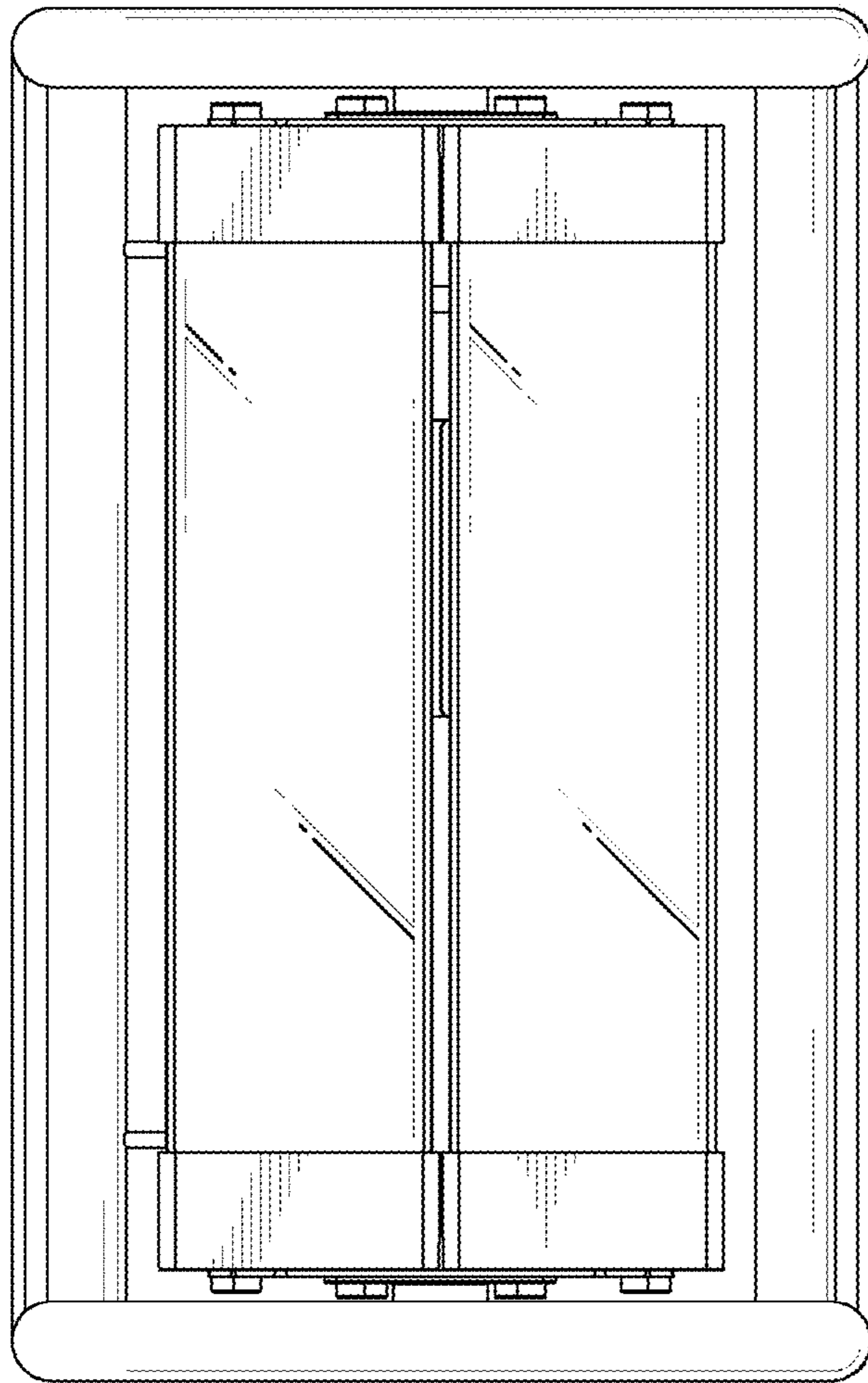


FIG. 7



UNITED STATES PATENT AND TRADEMARK OFFICE  
**CERTIFICATE OF CORRECTION**

PATENT NO. : D878,655 S  
APPLICATION NO. : 29/630668  
DATED : March 17, 2020  
INVENTOR(S) : Fuxing Lu et al.

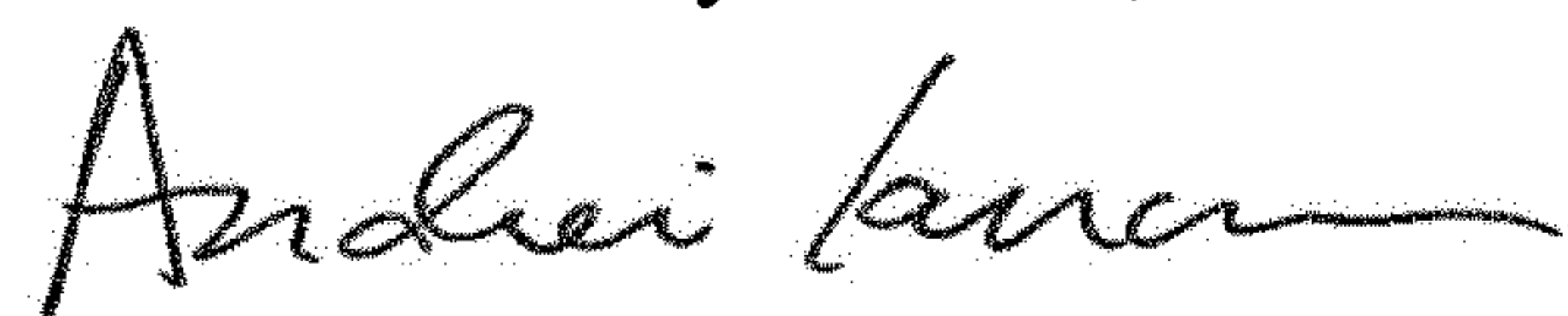
Page 1 of 1

It is certified that error appears in the above-identified patent and that said Letters Patent is hereby corrected as shown below:

On the Title Page

Item (54), correct the title from "WORKING LAMP" to --WORK LAMP--.

Signed and Sealed this  
Second Day of June, 2020



Andrei Iancu  
*Director of the United States Patent and Trademark Office*