



US00D878653S

(12) **United States Design Patent**  
**Haggar**

(10) **Patent No.:** **US D878,653 S**  
(45) **Date of Patent:** **\*\* Mar. 17, 2020**

- (54) **CEILING FAN LIGHT**
- (71) Applicant: **HUNTER FAN COMPANY**,  
Memphis, TN (US)
- (72) Inventor: **Alexander Jonathan Haggar**,  
Memphis, TN (US)
- (73) Assignee: **Hunter Fan Company**, Memphis, TN  
(US)

6,171,060 B1 \* 1/2001 Gajewski ..... F04D 25/088  
416/214 R

D510,425 S 10/2005 Young  
7,080,813 B1 7/2006 Frampton et al.  
D547,483 S \* 7/2007 Pickett ..... D26/59  
D552,293 S 10/2007 Silver  
D557,789 S 12/2007 Pickett  
D603,954 S \* 11/2009 Curtin ..... D23/411  
D621,971 S \* 8/2010 Yamamoto ..... D26/2  
D627,874 S 11/2010 Pan  
D628,688 S 12/2010 Pan

(Continued)

(\*\*) Term: **15 Years**

(21) Appl. No.: **29/668,219**

(22) Filed: **Oct. 29, 2018**

**Related U.S. Application Data**

- (60) Continuation of application No. 29/629,381, filed on Dec. 13, 2017, now Pat. No. Des. 838,356, which is a division of application No. 29/582,526, filed on Oct. 28, 2016, now Pat. No. Des. 810,920.
- (51) **LOC (12) Cl.** ..... **26-05**
- (52) **U.S. Cl.**  
USPC ..... **D26/59; D26/89**
- (58) **Field of Classification Search**  
USPC ..... D26/59, 24, 89, 110, 118, 119, 121–124,  
D26/128–137; D23/370, 377–385,  
D23/411–414  
CPC ..... F04D 25/088; F04D 29/38; F21V 21/03  
See application file for complete search history.

(56) **References Cited**

**U.S. PATENT DOCUMENTS**

D298,052 S 10/1988 Sonneman  
D328,491 S 8/1992 Markwardt  
D328,785 S 8/1992 Markwardt  
D333,867 S 3/1993 Markwardt  
D345,790 S 4/1994 Caldwell

**OTHER PUBLICATIONS**

<http://ceilingfans.emerson.com/shop/en/fan/fan-s-all/fans-s-browse-all/highrise-fan-p-cf430>, Item Specification for Emerson Highrise Model CF430BS Ceiling Fan, accessed on Oct. 28, 2016.

(Continued)

*Primary Examiner* — Janice Hallmark

(74) *Attorney, Agent, or Firm* — McGarry Bair PC

(57) **CLAIM**

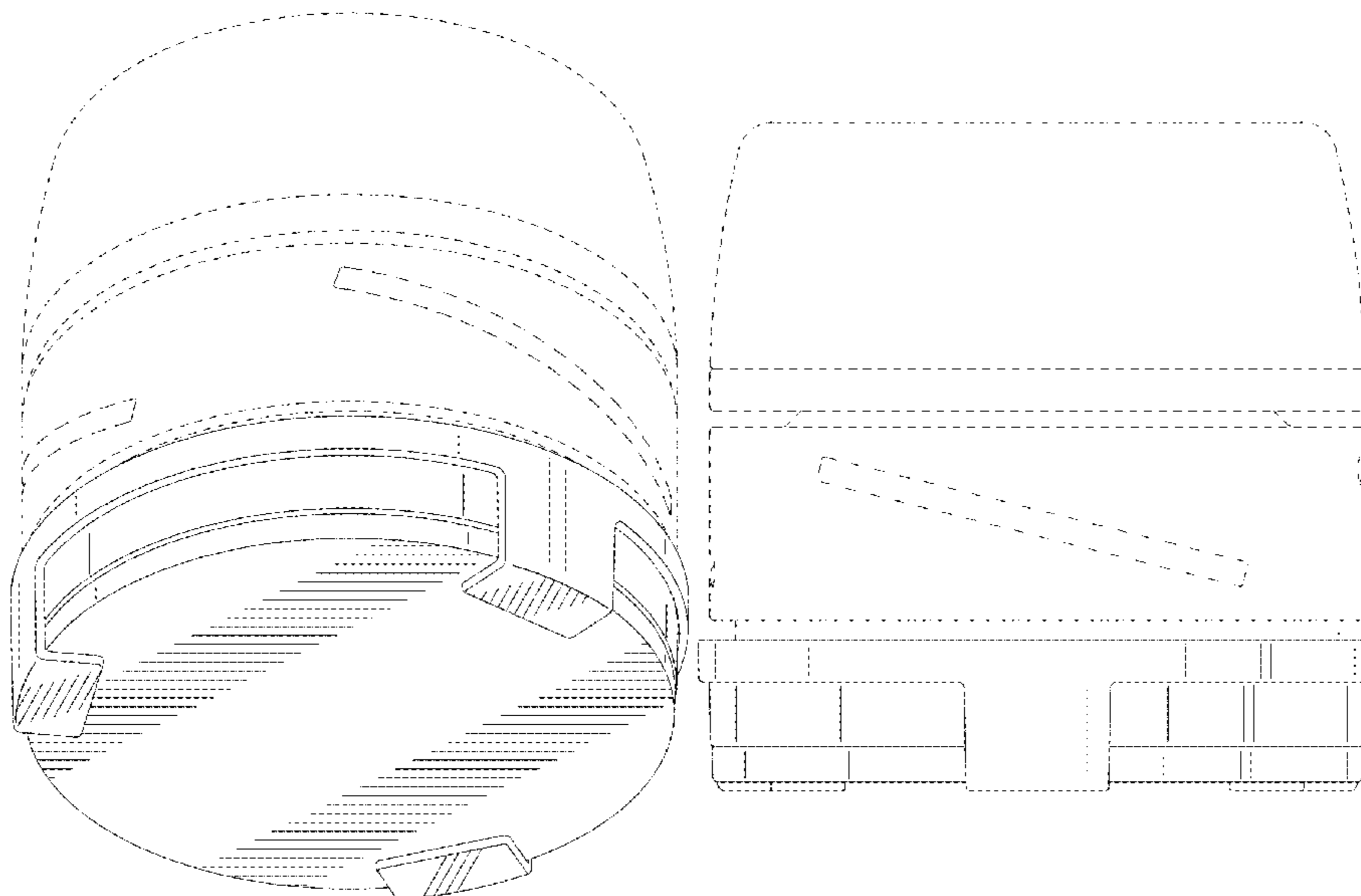
The ornamental design for a ceiling fan light, as shown and described.

**DESCRIPTION**

FIG. 1 is a bottom perspective view of a ceiling fan light in the environment of a ceiling fan, showing my new design; FIG. 2 is a bottom perspective view of the ceiling fan light of FIG. 1 in the environment of a ceiling fan motor housing; FIG. 3 is a bottom view thereof; FIG. 4 is a front side view thereof; FIG. 5 is a rear side view thereof; FIG. 6 is a right side view thereof; and, FIG. 7 is a left side view thereof.

Portions of the ceiling fan environment and the ceiling fan motor housing shown in broken lines form no part of the claimed design.

**1 Claim, 7 Drawing Sheets**



(56)

References Cited

U.S. PATENT DOCUMENTS

D641,518 S \* 7/2011 Van den Akker ..... D26/89  
 D652,537 S \* 1/2012 Wada ..... D26/2  
 D654,997 S \* 2/2012 Spaggiari ..... D23/370  
 D662,621 S \* 6/2012 Yamamoto ..... D26/2  
 D707,336 S 6/2014 Pan  
 D744,634 S 12/2015 Wang  
 D771,794 S 11/2016 Wang  
 D782,644 S 3/2017 Wang  
 D785,157 S 4/2017 Wang  
 D795,410 S 8/2017 Holmes  
 D804,629 S 12/2017 McRoberts et al.  
 D804,630 S 12/2017 Holmes et al.  
 D804,639 S 12/2017 Guthrie  
 D810,270 S 2/2018 Wang  
 D810,917 S 2/2018 Holmes  
 D810,920 S \* 2/2018 Hagggar ..... D23/377  
 D810,981 S \* 2/2018 McRoberts ..... D26/59  
 D821,008 S \* 6/2018 Guthrie ..... D26/59  
 D821,009 S \* 6/2018 Holmes ..... D26/59  
 D821,010 S \* 6/2018 Holmes ..... D26/59  
 D824,558 S \* 7/2018 Guthrie ..... D26/59  
 D834,172 S \* 11/2018 Guthrie ..... D23/411  
 D834,734 S \* 11/2018 Guthrie ..... D26/59  
 D838,356 S \* 1/2019 Hagggar ..... D23/411  
 D844,770 S \* 4/2019 Schulzman ..... D23/411  
 D861,218 S \* 9/2019 Yang ..... D26/59  
 2005/0249598 A1 11/2005 Young

OTHER PUBLICATIONS

<http://www.montecarlofans.com/50454/56-Vision-Max---Roman-Bronze-3VNMR56RBD.html>, Item Specification for Monte Carlo 56in Vision Max Roman Bronze Ceiling Fan Model# 3VNMR56RBD, accessed on Oct. 28, 2016.  
<http://ceilingfans.emerson.com/shop/en/fan/fans-s-emerson-fans/fans-s-contemporary/atomical-fan-p-cf930>, Item Specification for Emer-

son Atomical Model CF930BS Ceiling Fan, accessed on Oct. 28, 2016.  
<http://www.minkagroup.net/products/f734-gl>, Item Specification for Minka Aire—Strata F734-GL 52in Ceiling Fan, accessed on Oct. 28, 2016.  
<http://www.craftmade.com/Craftmade-MN44FB4-Flat-Black-Ceiling-Fan.HTM>, Item Specification for Craftmade MN44FB4 Montreal Ceiling Fan, accessed on Oct. 28, 2016.  
<http://www.kichler.com/products/product/52-arkwet-patio-ceiling-fan-wsp-339529wsp.aspx>, Item Specification for Kichler Arkwet Patio Collection 52in Model 339529WSP Ceiling Fan, accessed on Oct. 28, 2016.  
<http://www.kichler.com/products/product/arkwright-ceiling-fan-ap-300146ap.aspx>, Item Specification for Kichler Arkwright Collection Model 300146AP Ceiling Fan, accessed on Oct. 28, 2016.  
<http://www.montecarlofans.com/38127/42-Vision-II---Oil-Rubbed-Bronze-3VNR42OZD.html>, Item Specification for Monte Carlo 42in Vision II—Oil Rubbed Bronze Model 3VNR42OZD Ceiling Fan, accessed on Oct. 28, 2016.  
<http://www.fanimation.lightingnewyork.com/product/fanimation-fans-zonix-indoor-ceiling-fans-fp4650ob.html?page=1> Item Specification for Fanimation Zonix 54in Oil-Rubbed Bronze Model FP4650OB Ceiling Fan, accessed on Oct. 28, 2016.  
<http://www.fanimation.lightingnewyork.com/product/fanimation-fans-xeno-indoor-ceiling-fans-fp6728bn.html?page=1>, Item Specification for Fanimation Xeno 56in Brushed Nickel Model FP6728BN Ceiling Fan, accessed on Oct. 28, 2016.  
<http://www.fanimation.com/products/index.php/fans/odyn.html>, Item Specification for Fanimation Odyn Model FPD8149 Ceiling Fan, accessed on Oct. 28, 2016.  
<http://www.quoruminternational.com/index.cfm/app/productDetail?product=20543-965>, Item Specification for Quorum International 20543-965 Ceiling Fan, accessed on Oct. 28, 2016.  
<http://www.kichler.com/products/product/52-inch-vassar-ceiling-fan-ni-300175ni.aspx>, Item Specification for Kichler 52in Vassar Ceiling Fan Model 300175NI, accessed on Oct. 28, 2016.

\* cited by examiner

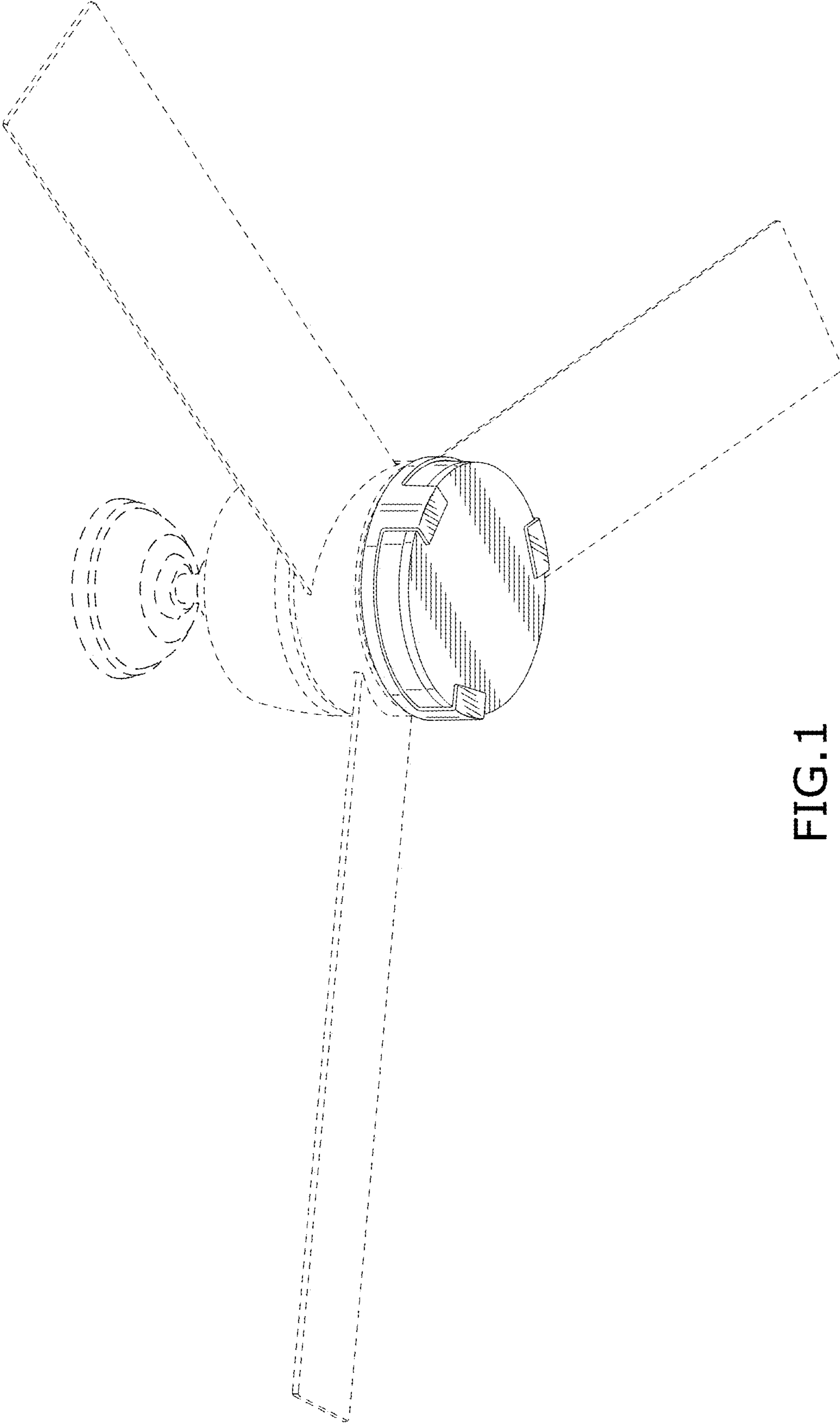


FIG.1

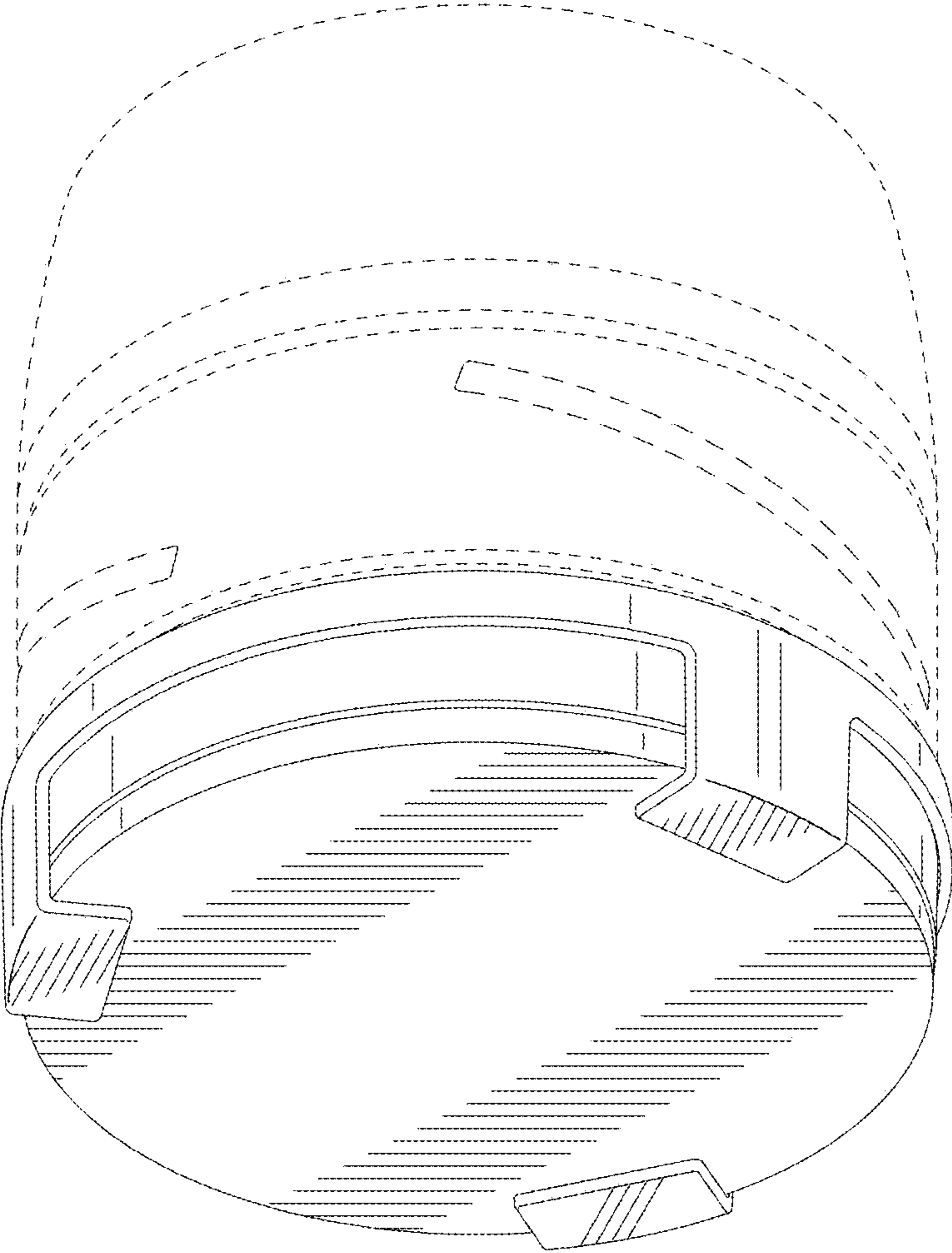


FIG.2

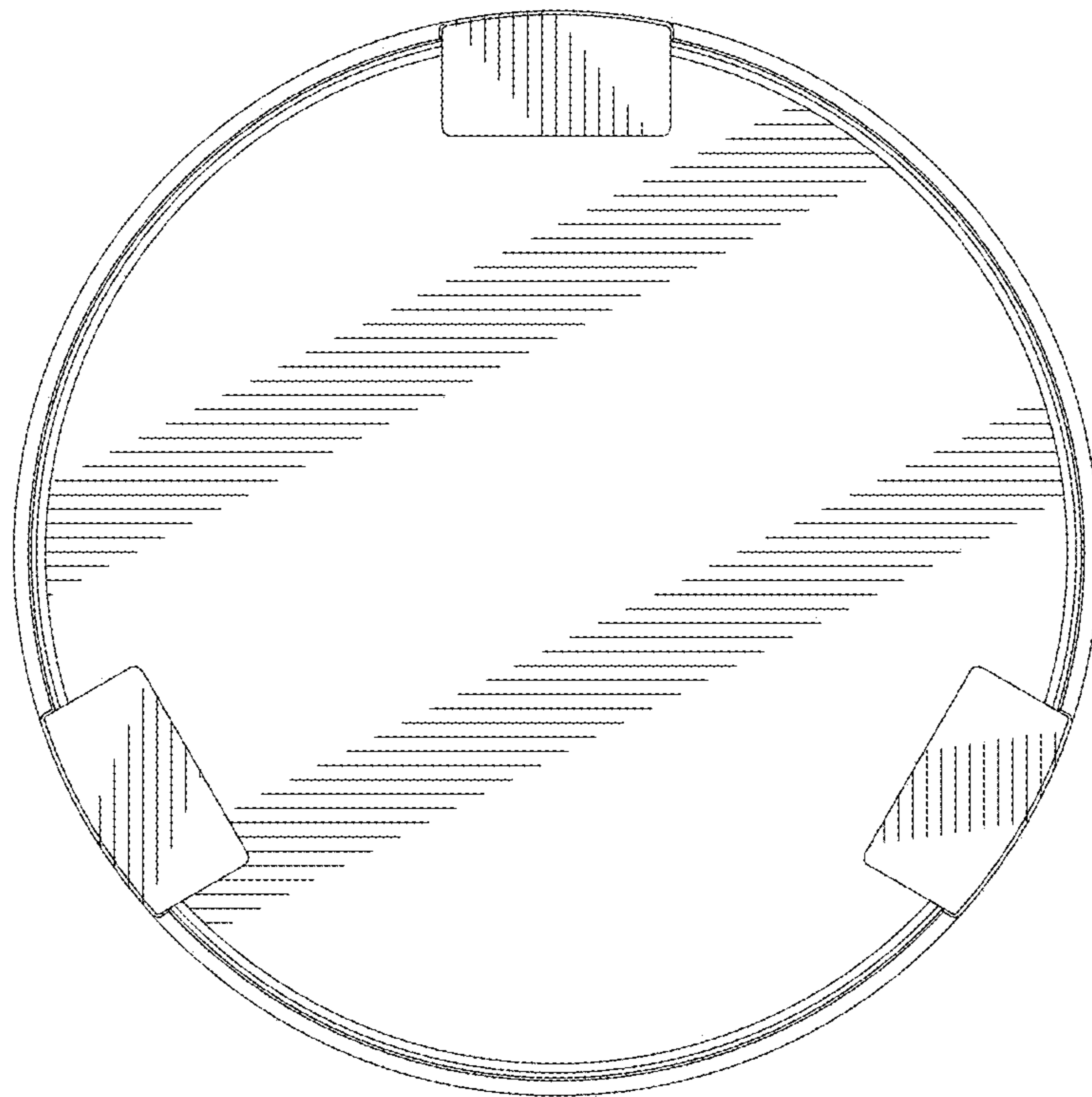


FIG. 3

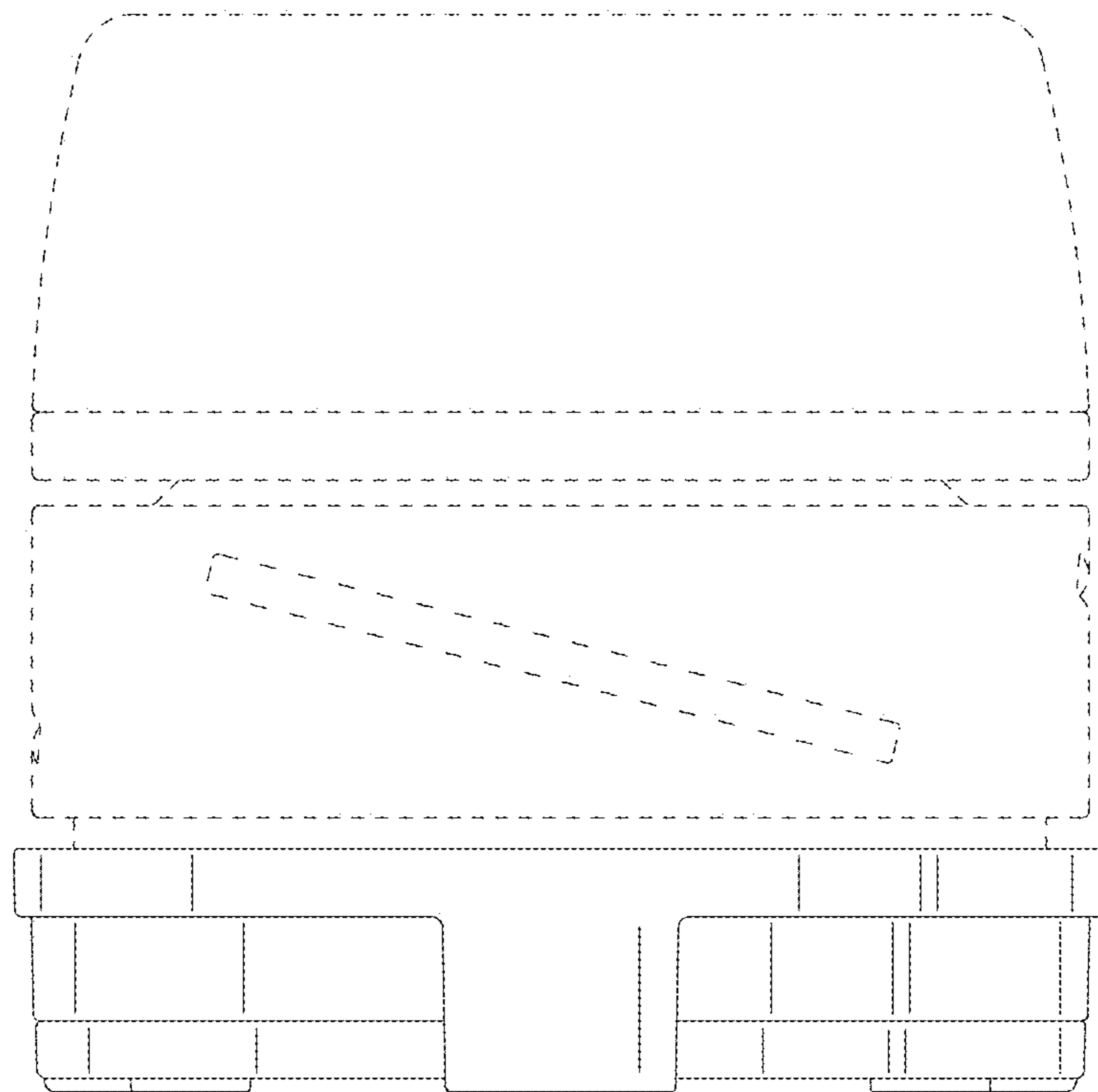


FIG.4

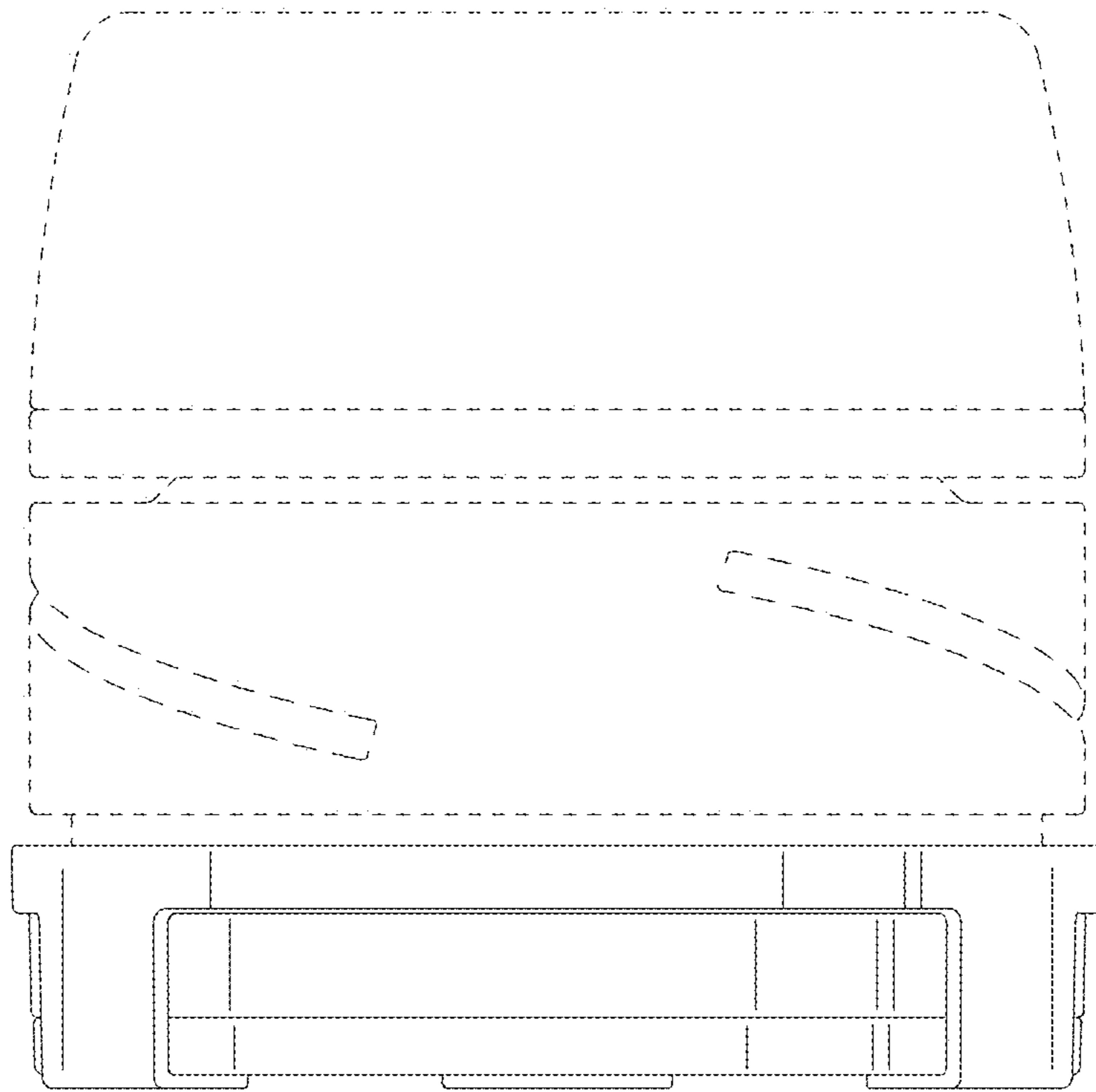


FIG. 5

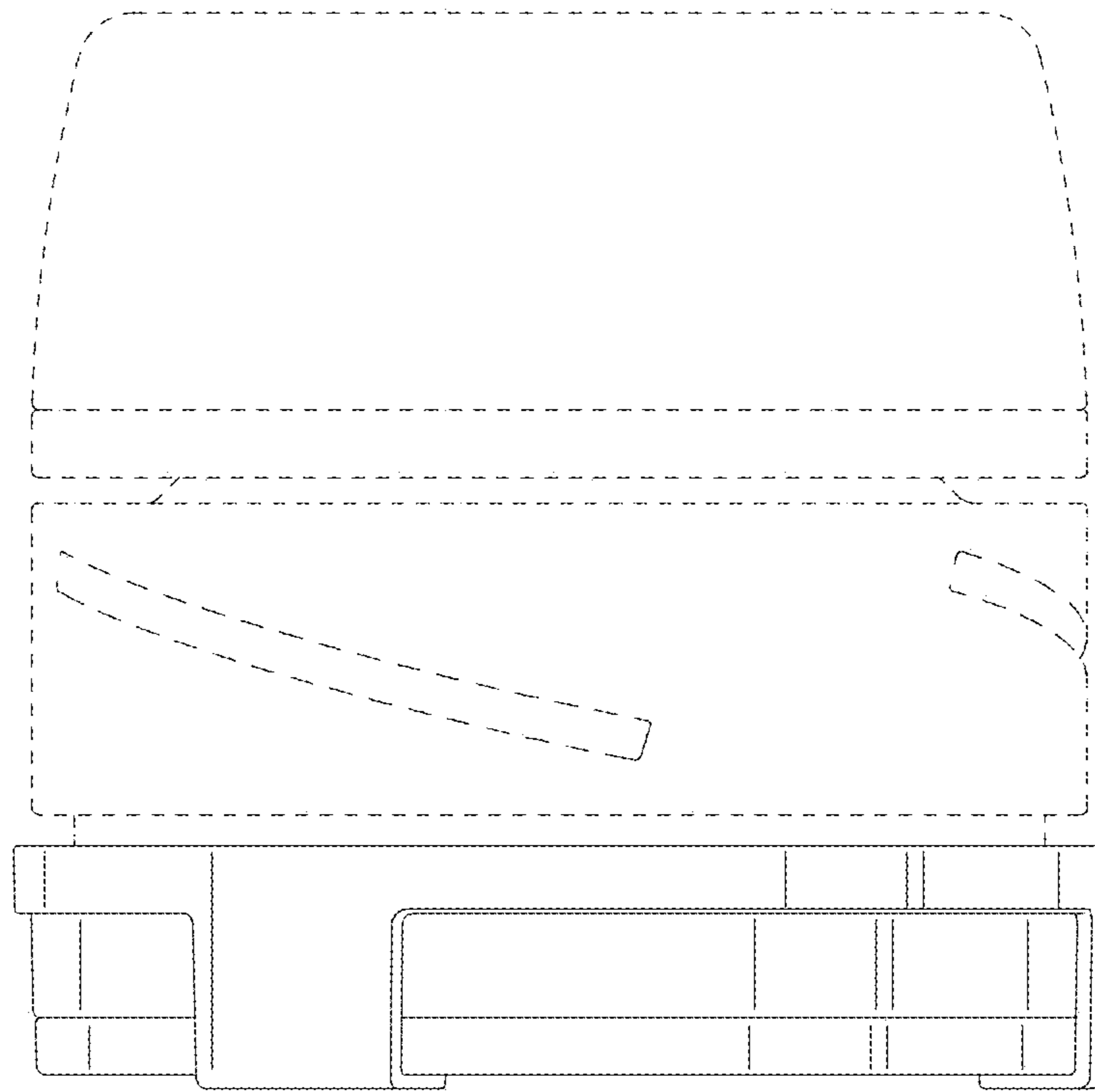


FIG.6



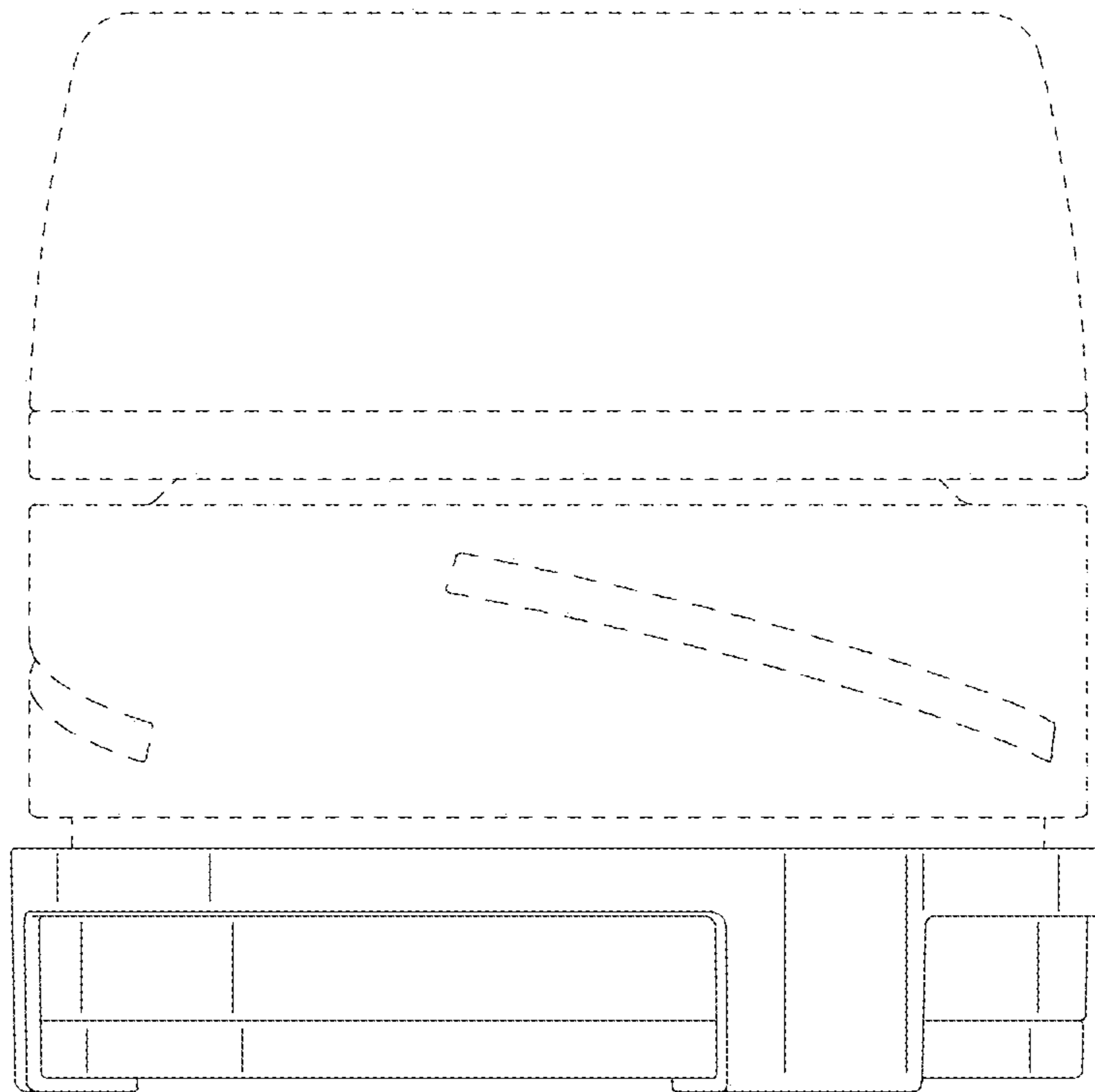


FIG.7