



US00D878652S

(12) **United States Design Patent**
McRoberts

(10) **Patent No.:** **US D878,652 S**
(45) **Date of Patent:** **** Mar. 17, 2020**

- (54) **CEILING FAN LIGHT KIT**
- (71) Applicant: **HUNTER FAN COMPANY**,
Memphis, TN (US)
- (72) Inventor: **Claire Bernice McRoberts**, Memphis,
TN (US)
- (73) Assignee: **Hunter Fan Company**, Memphis, TN
(US)
- (**) Term: **15 Years**
- (21) Appl. No.: **29/621,616**
- (22) Filed: **Oct. 10, 2017**

- D547,483 S 7/2007 Pickett
- D603,954 S 11/2009 Curtin
- D704,819 S * 5/2014 Wang D23/411
- D710,490 S 8/2014 Shurtleff
- D710,789 S 8/2014 Shurtleff
- D712,533 S 9/2014 Allen et al.
- D778,422 S 2/2017 Gajewski
- D779,052 S 2/2017 Gajewski
- D783,796 S 4/2017 Badarello et al.
- D783,797 S 4/2017 Badarello et al.
- D799,682 S * 10/2017 Wang D23/411
- D805,182 S * 12/2017 Pickett D23/411

(Continued)

Related U.S. Application Data

- (62) Division of application No. 29/582,808, filed on Oct.
31, 2016, now Pat. No. Des. 814,011.
- (51) **LOC (12) Cl.** **26-05**
- (52) **U.S. Cl.**
USPC **D26/59; D23/411**
- (58) **Field of Classification Search**
USPC ... D26/59, 24, 118, 119, 121–124, 128–137;
D23/370, 377–382, 411–414
CPC F04D 25/088; F04D 29/38; F21V 21/03;
B63H 1/16
See application file for complete search history.

References Cited

U.S. PATENT DOCUMENTS

- D430,930 S 9/2000 Zuege
- D435,289 S * 12/2000 Liu D23/377
- D451,189 S 11/2001 Liu
- D510,622 S 10/2005 Tai
- D517,675 S 3/2006 Young
- D521,625 S 5/2006 Young
- D525,696 S * 7/2006 Ertze D23/377
- D528,645 S 9/2006 Young

OTHER PUBLICATIONS

<http://www.quoruminternational.com/index.cfm/app/productDetail?product=53524-86>, Item Specification for Quorum 53524-86 Mission ob—Oiled Bronze Ceiling Fan, Accessed Oct. 28, 2016.

(Continued)

Primary Examiner — Janice Hallmark

(74) *Attorney, Agent, or Firm* — McGarry Bair PC

(57)

CLAIM

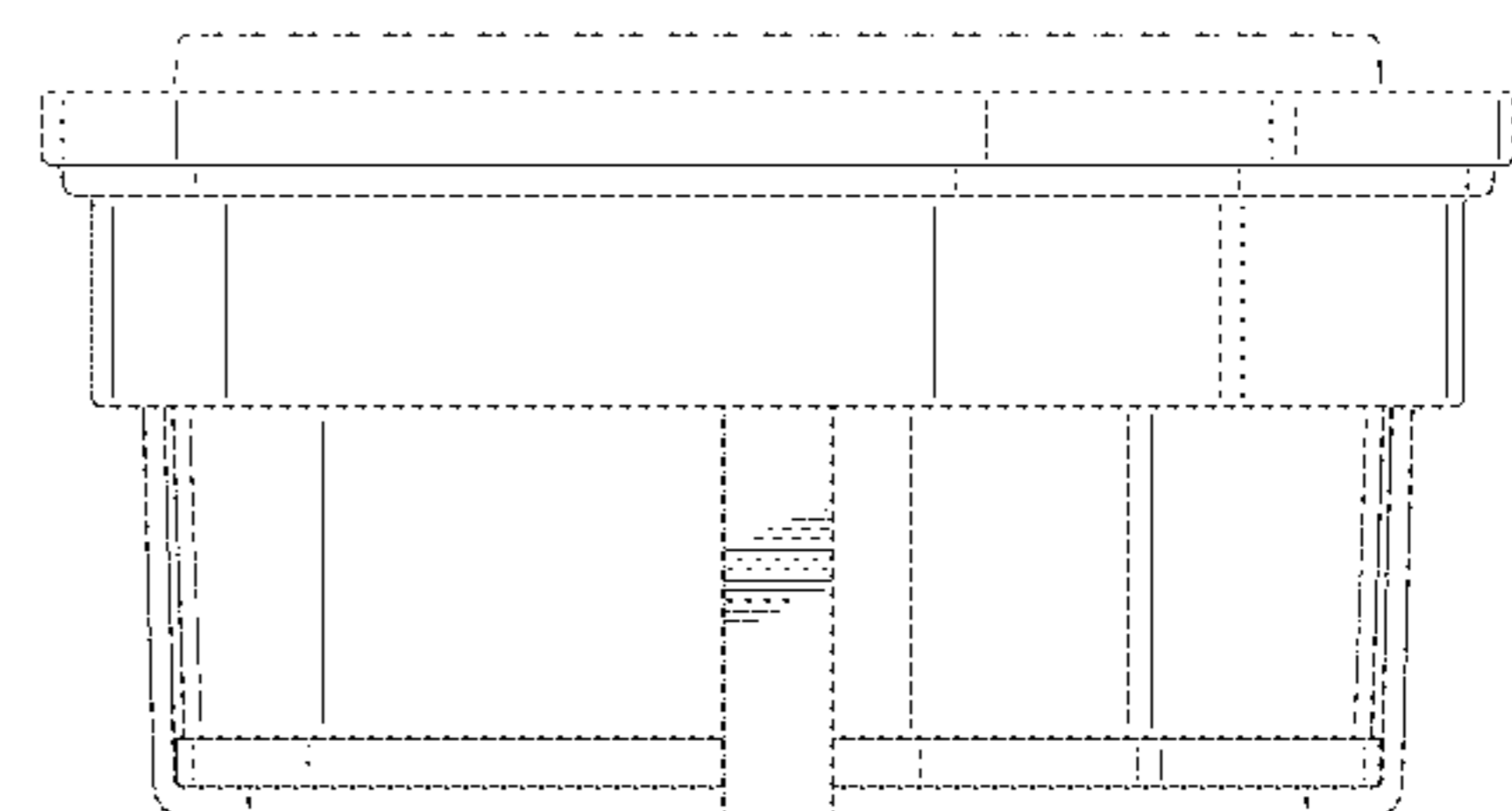
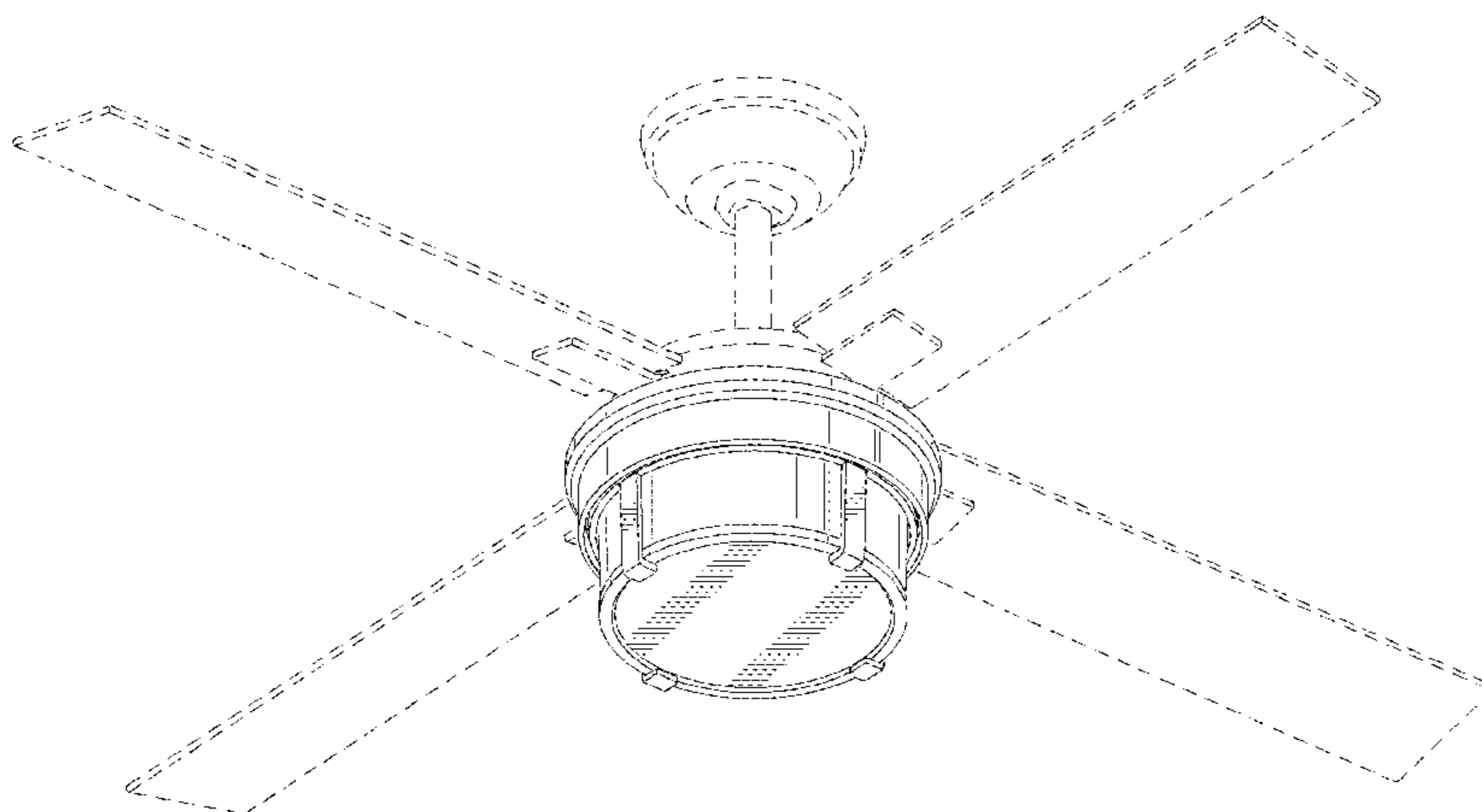
The ornamental design for a ceiling fan light kit, as shown and described.

DESCRIPTION

FIG. 1 is a bottom perspective view of a ceiling fan light kit showing my new design in the environment of a ceiling fan; FIG. 2 is a top perspective view thereof; FIG. 3 is a top view thereof; FIG. 4 is a bottom view thereof; and, FIG. 5 is a side view thereof.

The broken lines showing a ceiling fan in FIG. 1 illustrate environmental subject matter only and form no part of the claimed design. All other broken lines depict portions of the ceiling fan light kit that form no part of the claimed design.

1 Claim, 5 Drawing Sheets



(56)

References Cited

U.S. PATENT DOCUMENTS

D810,981	S	*	2/2018	McRoberts	D26/59
D814,011	S	*	3/2018	McRoberts	D23/377
D820,431	S	*	6/2018	Ertze	D23/411
D821,009	S	*	6/2018	Holmes	D26/59
D821,010	S	*	6/2018	Holmes	D26/59
D824,558	S	*	7/2018	Guthrie	D26/59
D825,086	S	*	8/2018	Holmes	D26/59
D834,172	S	*	11/2018	Guthrie	D23/411
D855,873	S	*	8/2019	Hagggar	D26/119
D859,628	S	*	9/2019	Yang	D23/377
D861,218	S	*	9/2019	Yang	D26/59
2005/0249598	A1	*	11/2005	Young	F04D 19/024 416/198 R
2011/0052411	A1		3/2011	Yamamoto et al.		

OTHER PUBLICATIONS

<http://ceilingfans.emerson.com/shop/en/fan/fans-s-emerson-fans/fans-s-transitional/amhurst-fan-p-cf880>, Item Specification for Emerson Amhurst 54" Ceiling fan, Accessed Oct. 28, 2016.

<http://www.hunterfan.com/Ceiling-Fans/HFC-72?ModelNumber=59136>, Item Specification for Hunter HFC-72—72" Ceiling Fan, Accessed Oct. 28, 2016.

<http://www.hunterfan.com/Ceiling-Fans/Leoni?ModelNumber=59220>, Item Specification for Hunter Leoni—48" Ceiling Fan, Accessed Oct. 28, 2016.

<http://www.montecarlofans.com/44074/60in-Empire—Matte-Black-8EER60BKD.html>, Item Specification for Monte Carlo 60" Empire—Mate Black, Accessed Oct. 28, 2016.

<http://www.minkagroup.net/products/f524-whf>, Item Specification for Minka Aire 52" 3 Blade Ceiling Fan in Flat White Finish, Accessed Oct. 28, 2016.

<http://www.fanimation.com/products/index.php/fans/inlet.html>, Item Specification for Fanimation Inlet, Accessed Oct. 28, 2016.

<http://www.montecarlofans.com/32464/52-Dakota-Fan—Espresso-5DKR52ESD.html>, Item Specification for Monte Carlo 52" Dakota Fan—Espresso, Accessed Oct. 28, 2016.

<http://www.homedepot.com/p/Hampton-Bay-Tipton-II-52-in-Oil-Rubbed-Bronze-Ceiling-Fan-AL995-ORB/203786413>, Item Specification for Hampton Bay Tipton II 52 in. Oil-Rubbed Bronze Ceiling Fan, Accessed Oct. 28, 2016.

<http://www.craftmade.com/Craftmade-MOR54ESP3-Espresso-Ceiling-Fan.Htm>, Item Specification for Craftmade MOR54ESP3—Moorestad Espresso Finish, Accessed Oct. 28, 2016.

<http://www.fanimation.com/products/index.php/fans/stafford.html>, Item Specification for Fanimation Stafford, Accessed Oct. 28, 2016.

<http://www.hunterfan.com/Ceiling-Fans/Acadia?ModelNumber=59171>, Item Specification for Hunter Acadia—46" Ceiling Fan, Accessed Oct. 28, 2016.

* cited by examiner

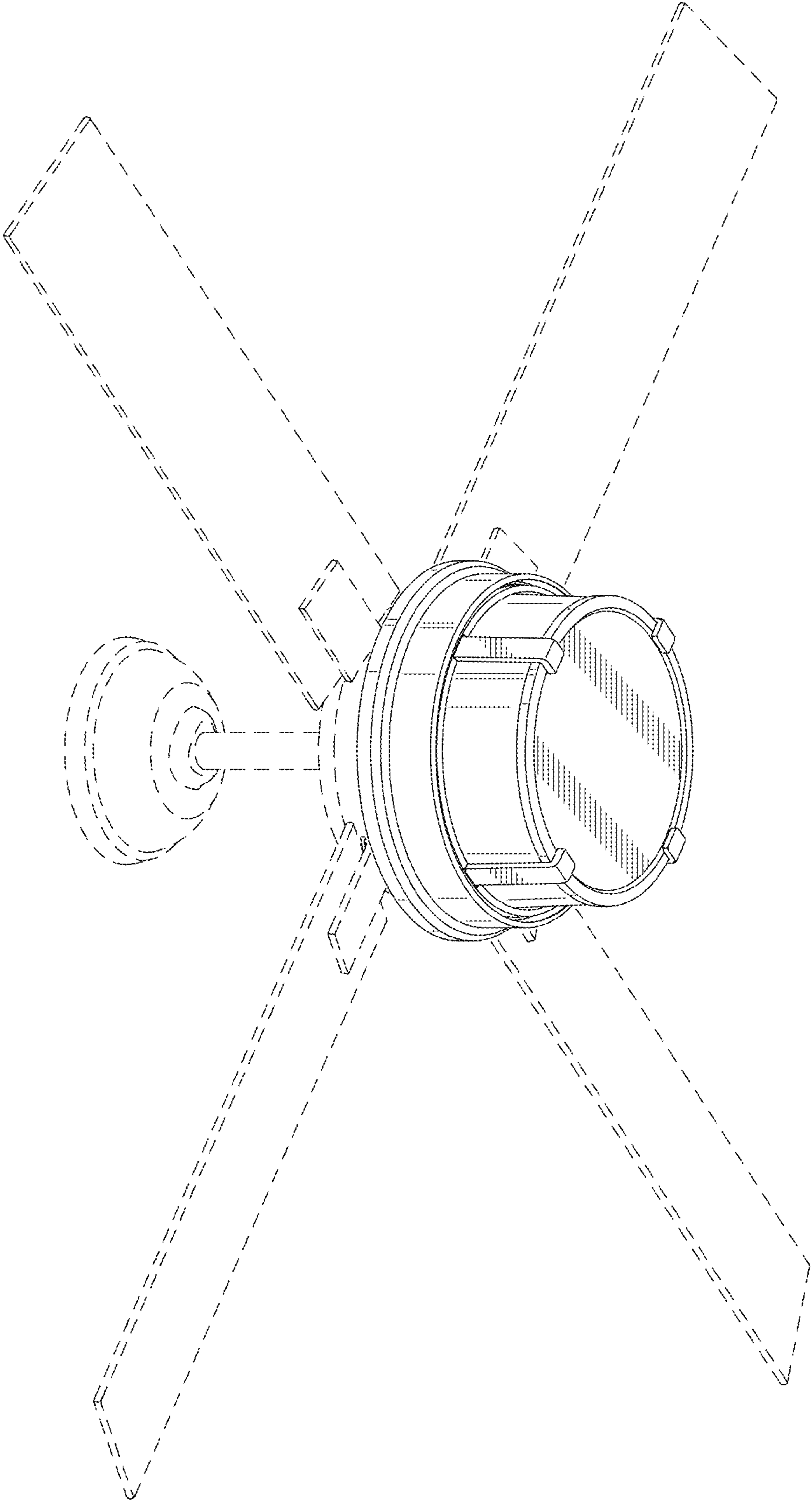


FIG.1

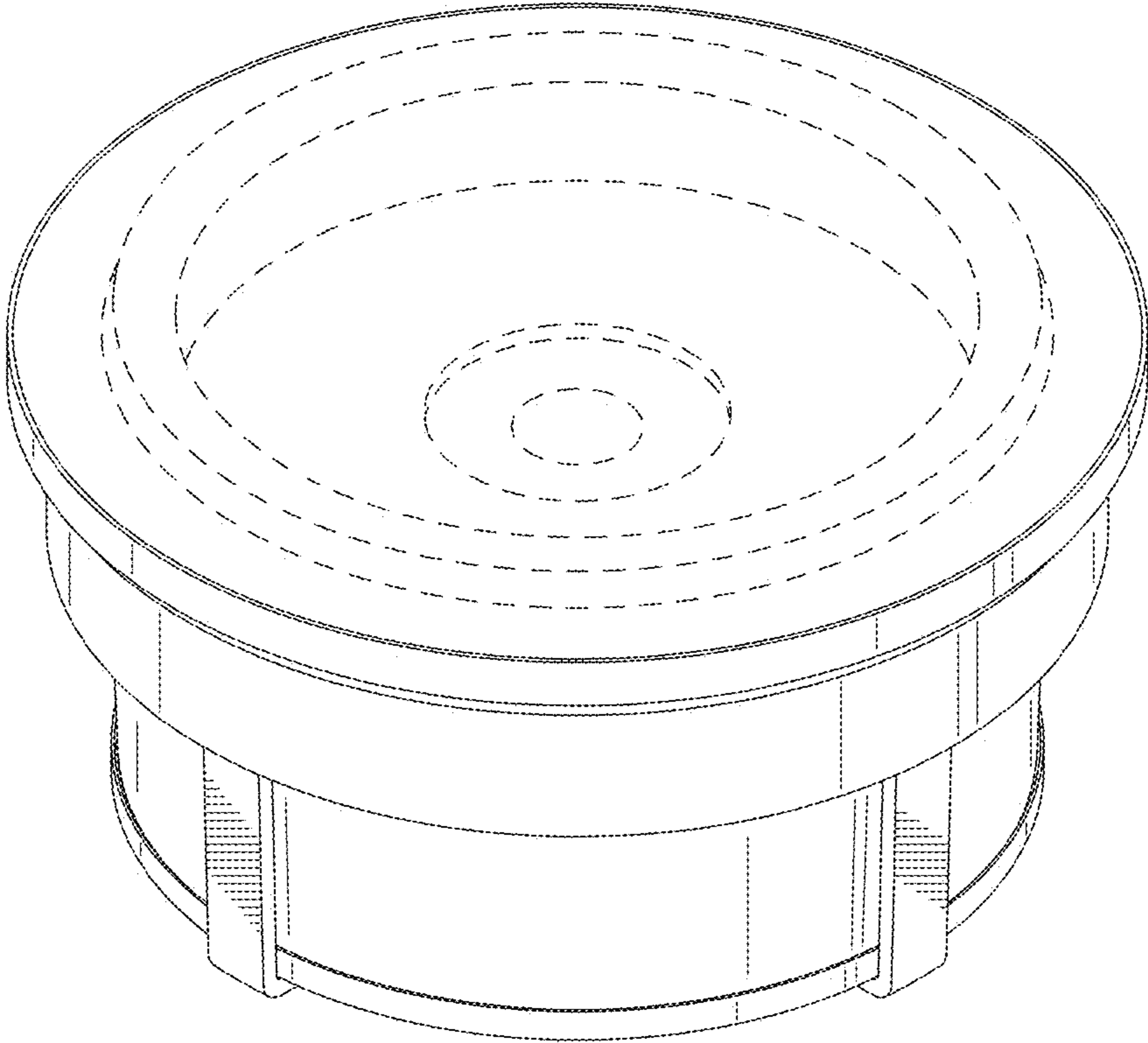


FIG.2

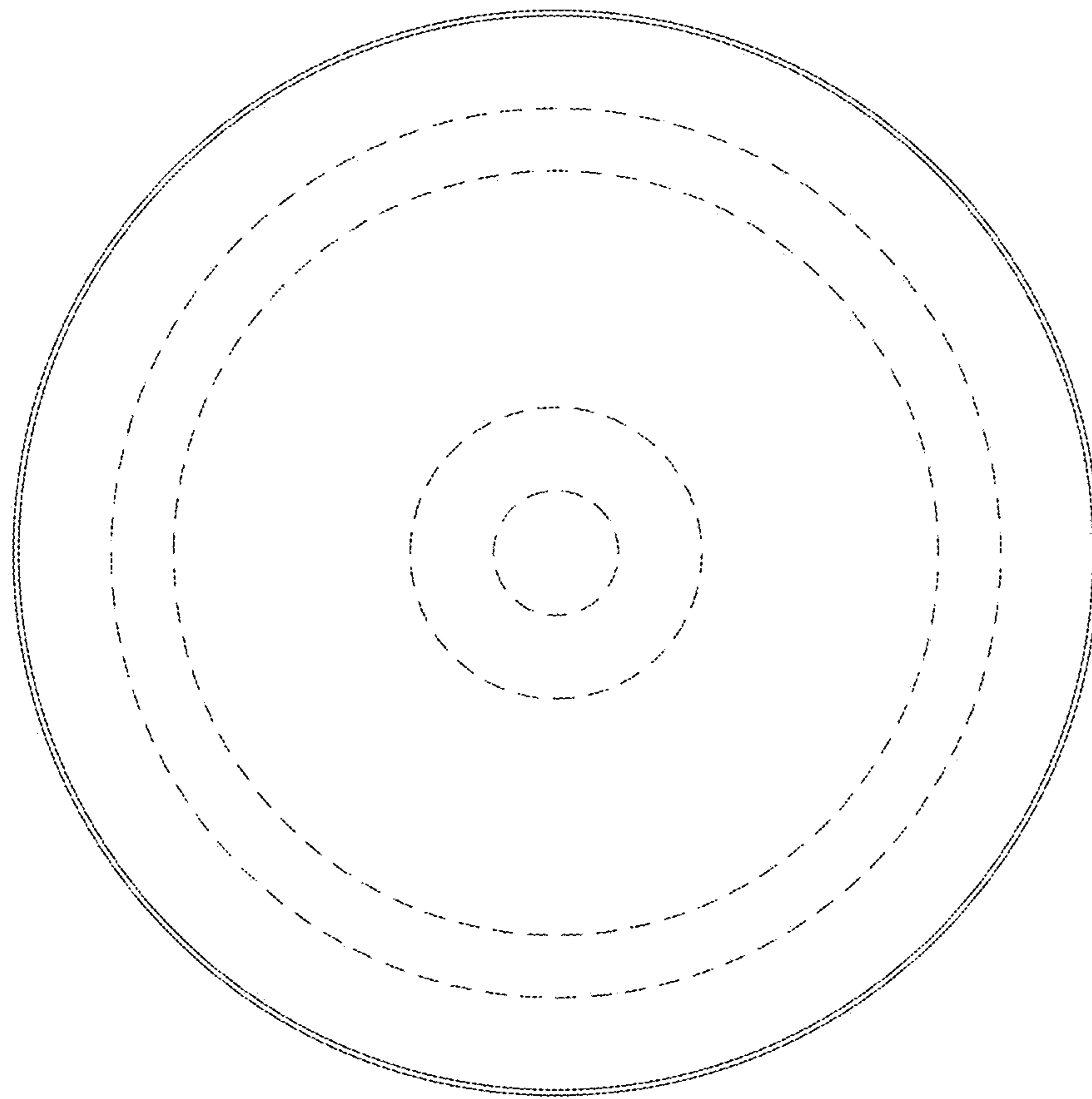


FIG.3

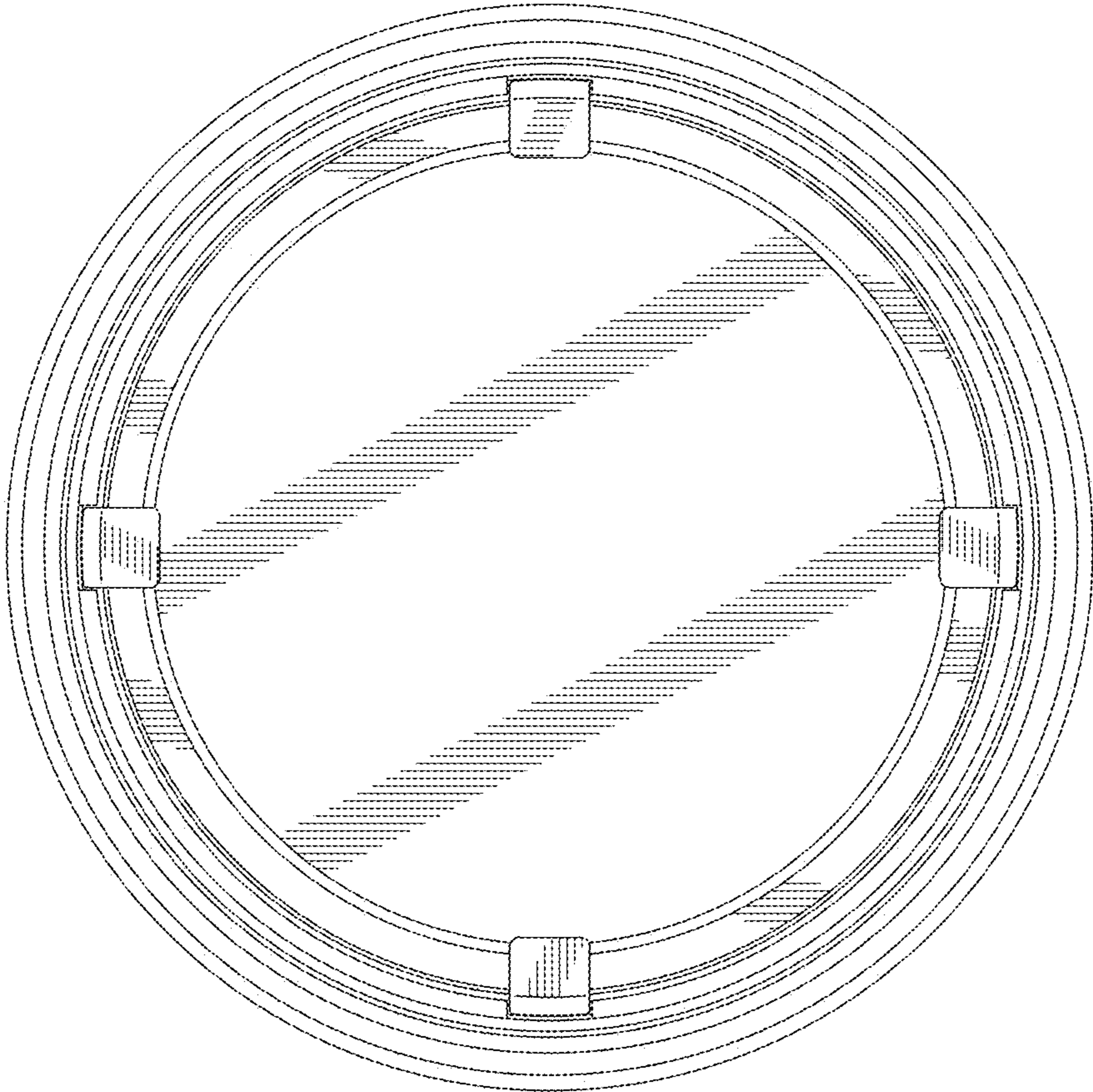


FIG.4

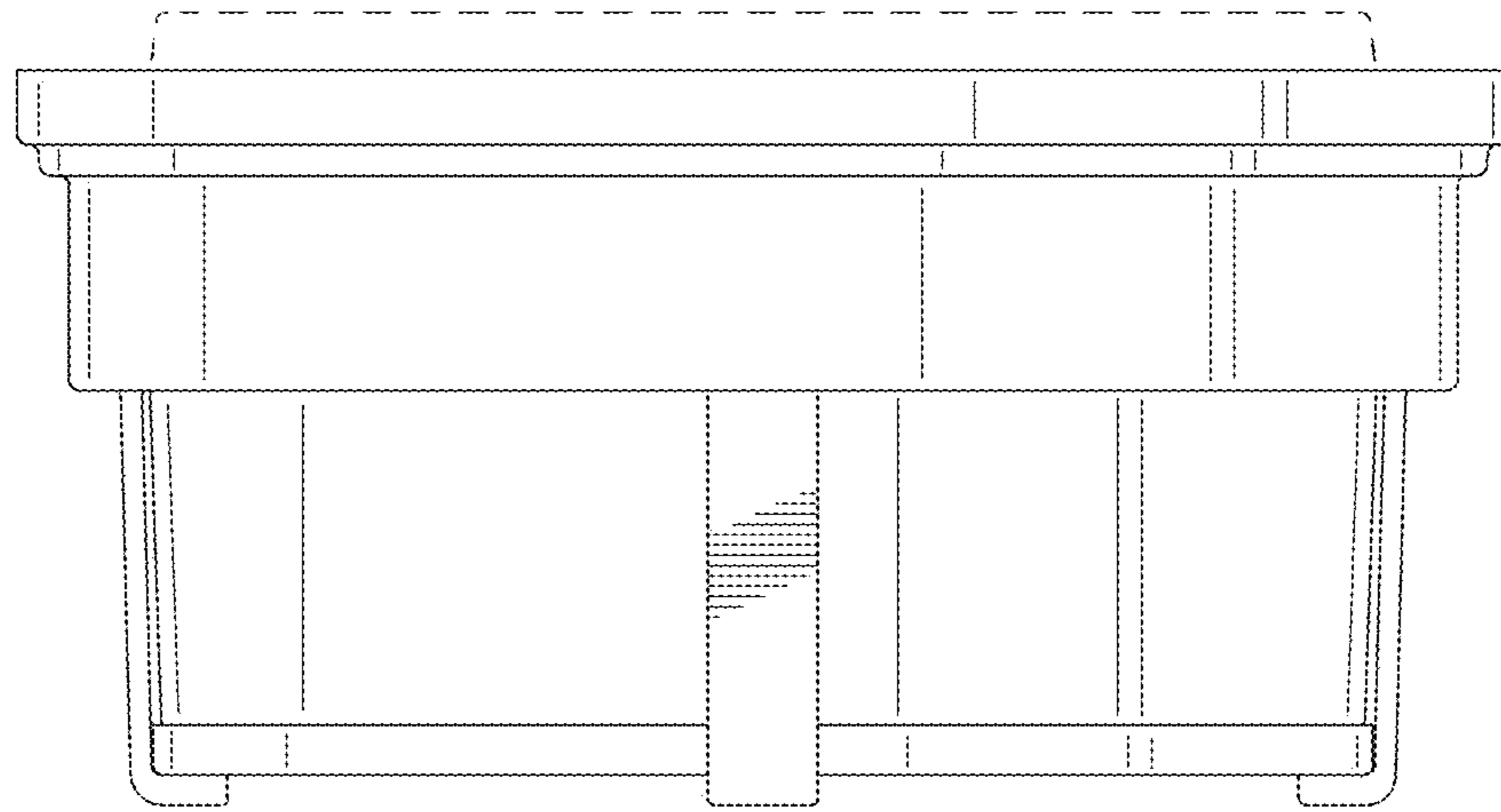


FIG. 5