



US00D878651S

(12) **United States Design Patent**  
**Qiu**

(10) **Patent No.:** **US D878,651 S**  
(45) **Date of Patent:** **\*\* Mar. 17, 2020**

(54) **FLASHLIGHT**

(71) Applicant: **NINGBO HONGFU ALUMINIUM & PLASTIC ELECTRIC APPLIANCE CO., LTD.**, Xidian Town (CN)

(72) Inventor: **Enyuan Qiu**, Xidian Town (CN)

(73) Assignee: **NINGBO HONGFU ALUMINIUM & PLASTIC ELECTRIC APPLIANCE CO., LTD** (CN)

(\*\*) Term: **15 Years**

(21) Appl. No.: **29/644,691**

(22) Filed: **Apr. 19, 2018**

(30) **Foreign Application Priority Data**

Dec. 22, 2017 (CN) ..... 2017 3 0662781

(51) **LOC (12) Cl.** ..... **26-02**

(52) **U.S. Cl.**  
USPC ..... **D26/49**

(58) **Field of Classification Search**

USPC ..... D26/37-51

CPC ..... F21L 2003/00; F21L 4/00; F21L 4/005;  
F21L 4/02; F21L 4/025; F21L 4/027;  
F21L 4/04; F21L 4/08; F21L 2005/00;  
F21L 7/00; F21L 11/00; F21L 13/00;  
F21L 13/04; F21L 13/08; F21L 14/02;  
F21L 17/00; F21L 19/00; F21L 25/00

See application file for complete search history.

(56) **References Cited**

**U.S. PATENT DOCUMENTS**

D512,525 S \* 12/2005 Yang ..... D26/49  
D564,116 S \* 3/2008 Linardos ..... D26/49

D601,287 S \* 9/2009 Caniparoli ..... D26/49  
D613,438 S \* 4/2010 Liang ..... D26/49  
D656,261 S \* 3/2012 Lee ..... D26/49  
D659,270 S \* 5/2012 Nguyen ..... D26/49  
D703,358 S \* 4/2014 Shiu ..... D26/49  
D709,230 S \* 7/2014 Nguyen ..... D26/49  
D716,482 S \* 10/2014 Ma ..... D26/49  
D716,983 S \* 11/2014 Ma ..... D26/49  
D750,306 S \* 2/2016 Windom ..... D26/49  
D769,496 S \* 10/2016 Inskeep ..... D26/49  
D803,444 S \* 11/2017 Green ..... D26/49  
2006/0056173 A1\* 3/2006 Maglica ..... F21L 4/005  
362/157

\* cited by examiner

*Primary Examiner* — Lakiya G Rogers

*Assistant Examiner* — Carissa C Fitts

(74) *Attorney, Agent, or Firm* — Fresh IP PLC; Aubrey Y Chen

(57) **CLAIM**

The ornamental design for a flashlight, as shown and described.

**DESCRIPTION**

FIG. 1 is a top perspective view of a flashlight showing the front, top and left sides;

FIG. 2 is a bottom perspective view of the flashlight, showing the front, bottom and right sides;

FIG. 3 is a front view of the flashlight;

FIG. 4 is a rear view of the flashlight;

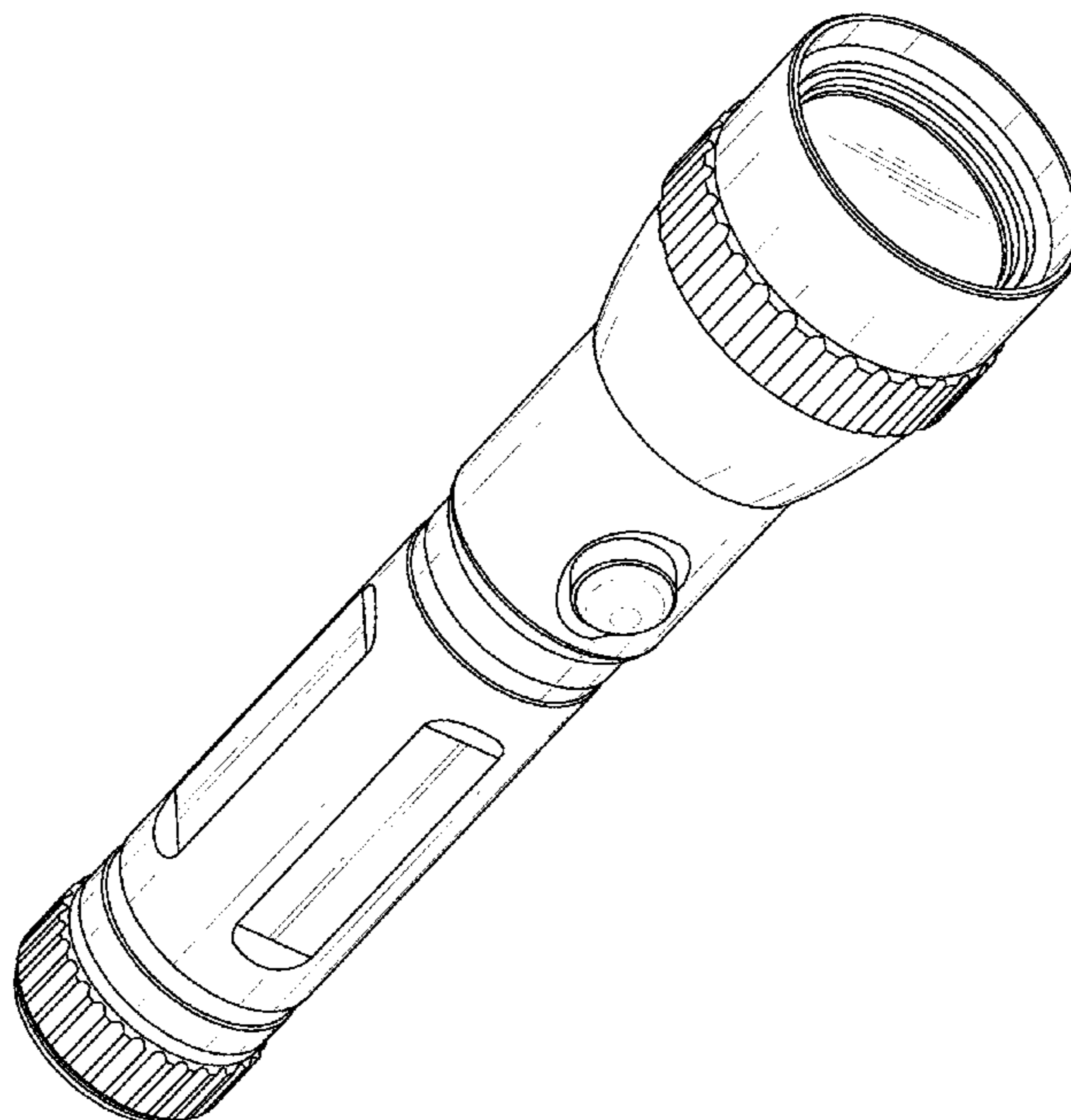
FIG. 5 is a left side view of the flashlight;

FIG. 6 is a right side view of the flashlight;

FIG. 7 is a top view of the flashlight; and,

FIG. 8 is a bottom view of the flashlight.

**1 Claim, 7 Drawing Sheets**



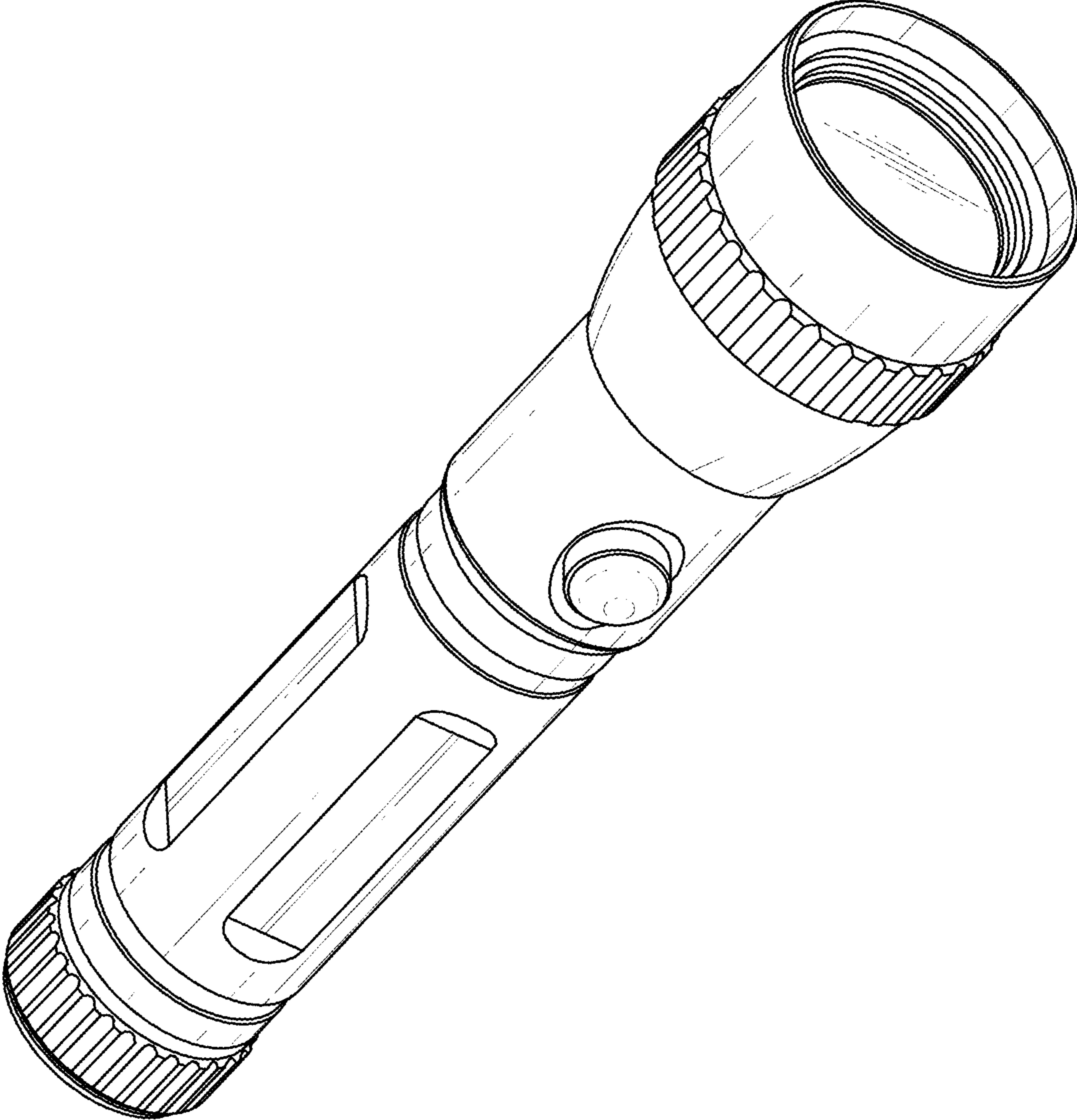


FIG. 1

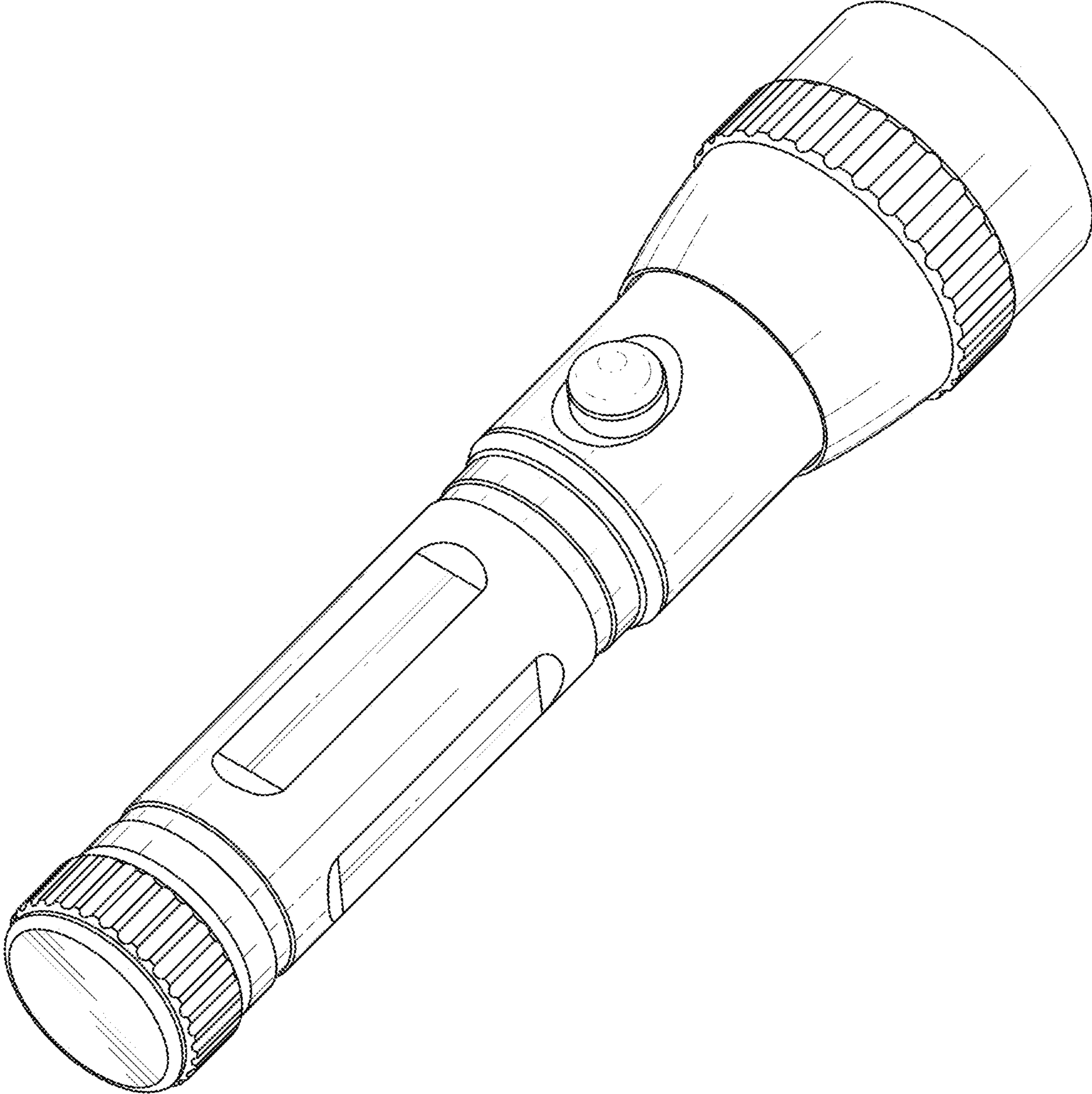


FIG. 2

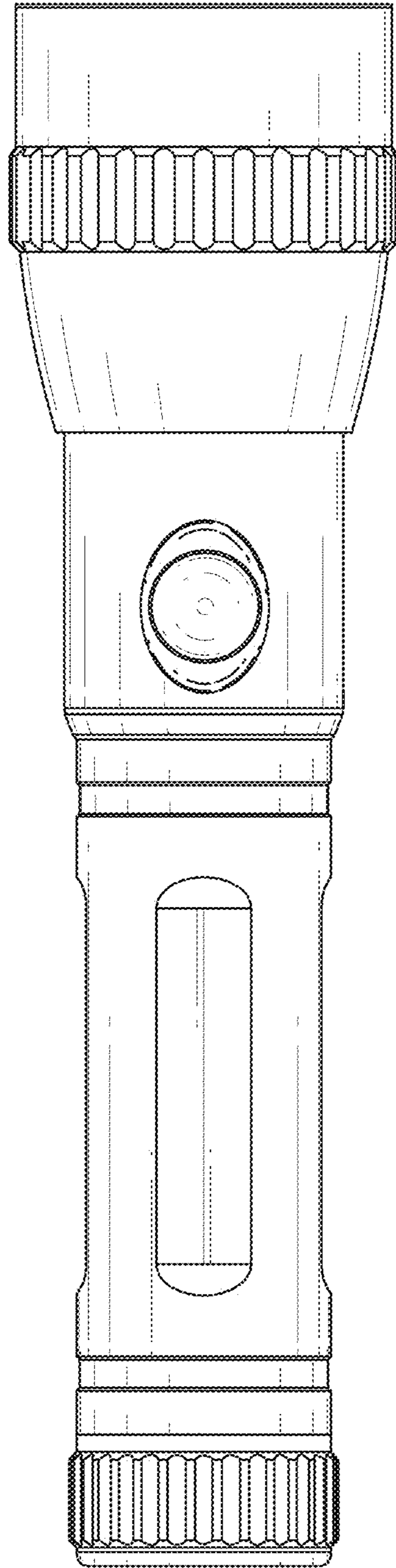


FIG. 3

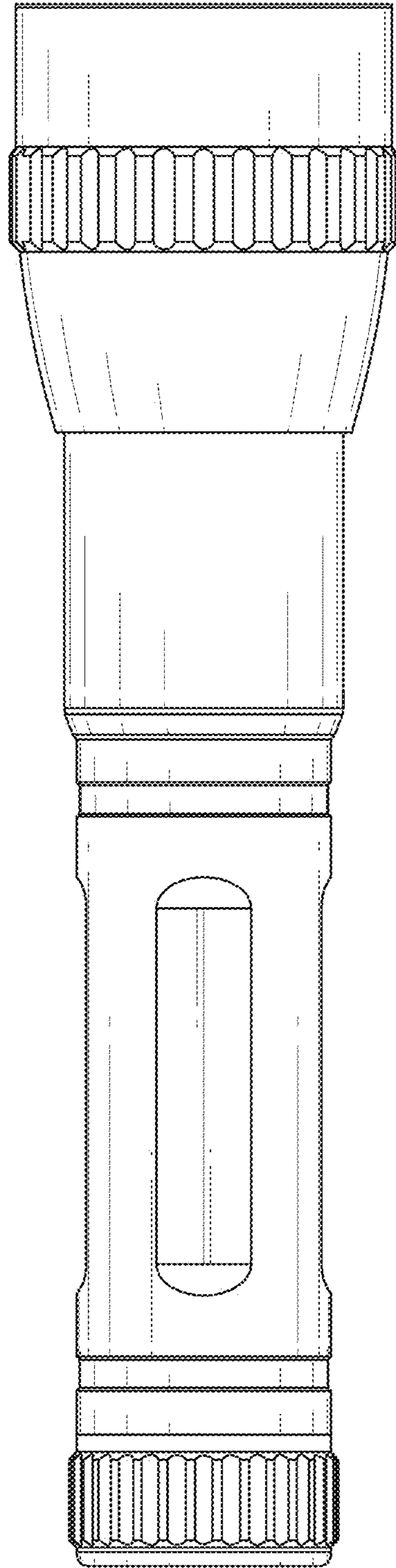


FIG. 4

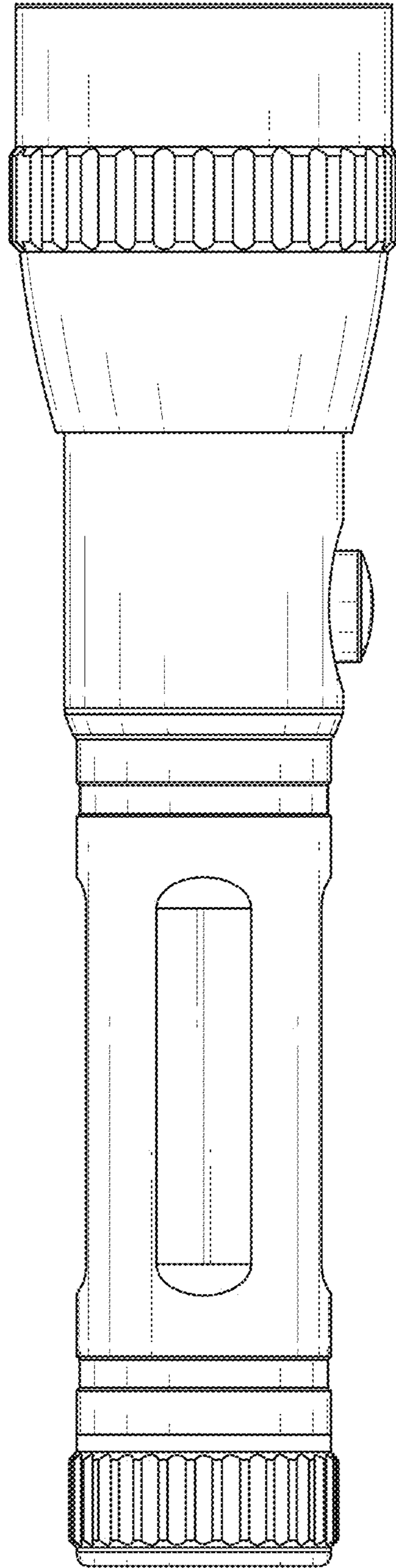


FIG. 5

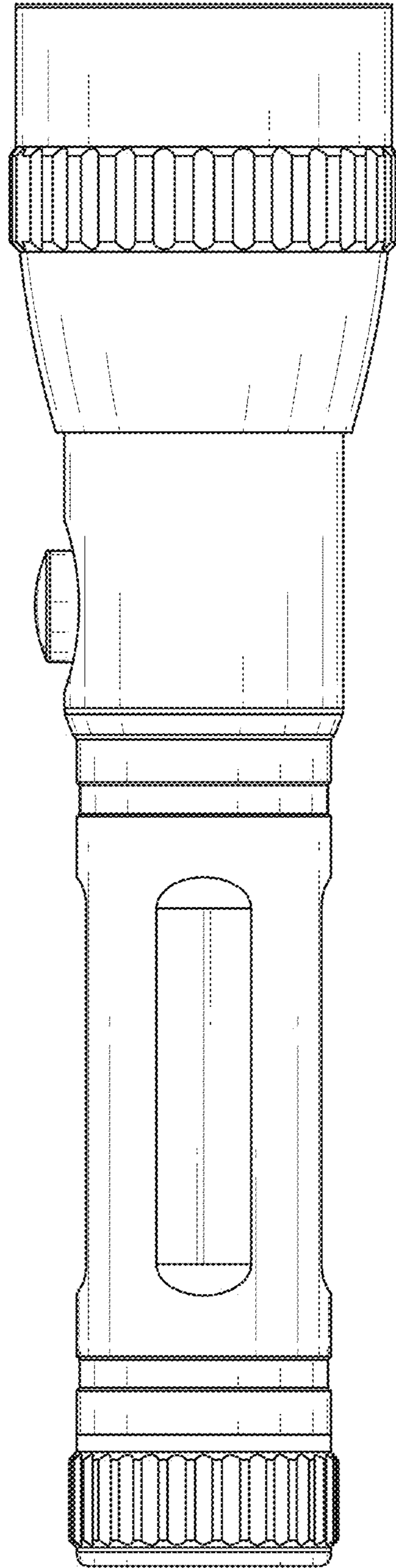


FIG. 6

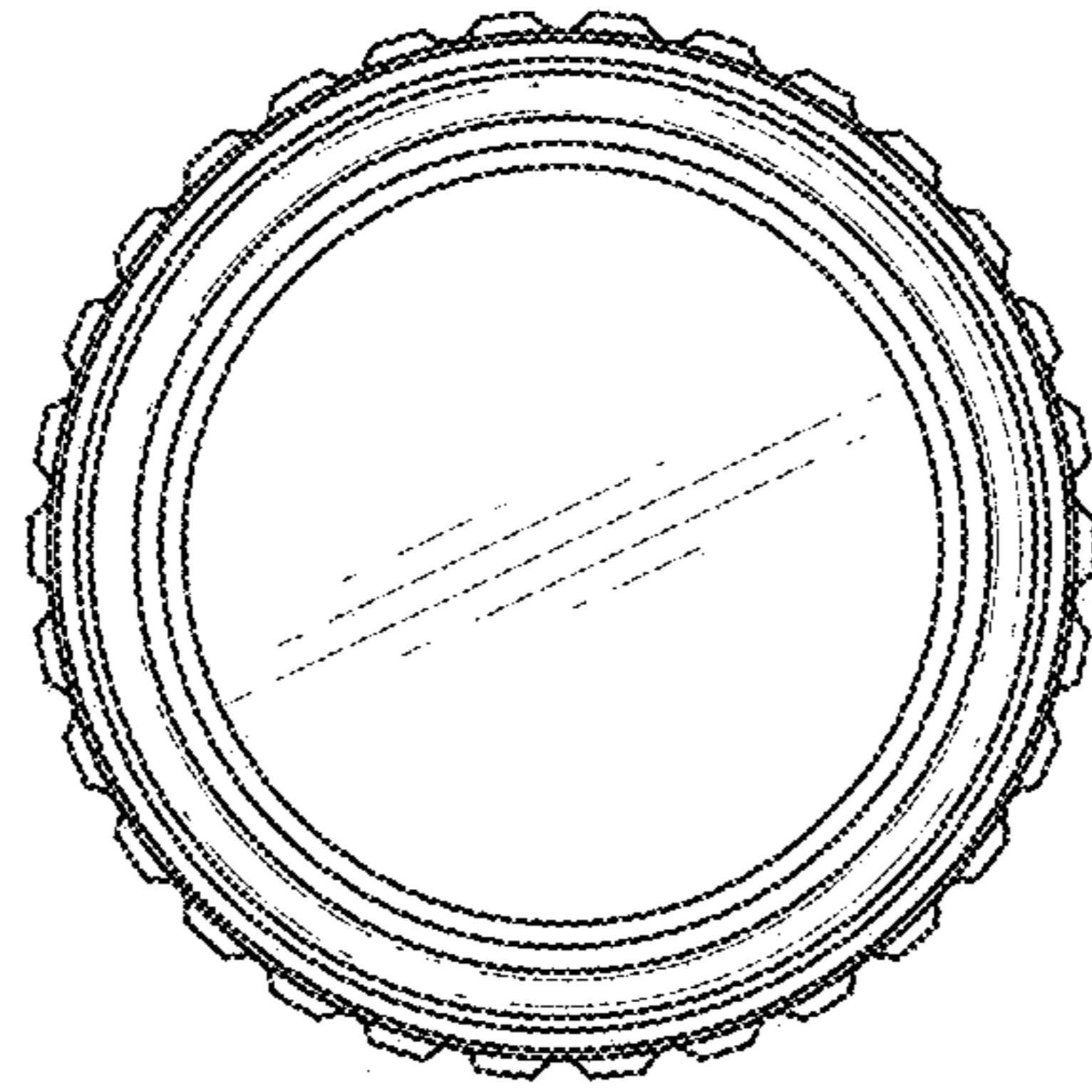


FIG. 7

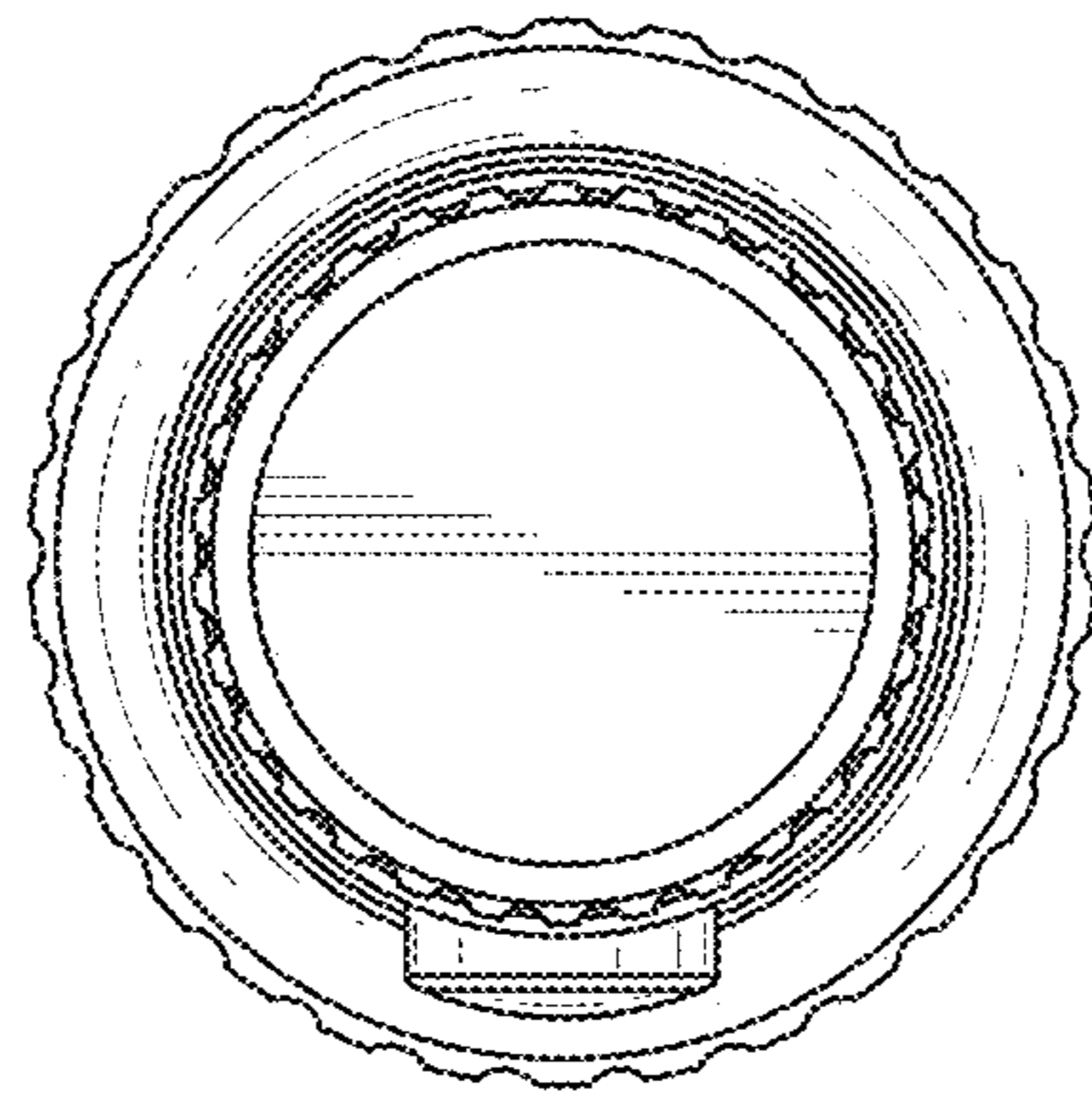


FIG. 8