



US00D878650S

(12) **United States Design Patent**  
**Grandadam**

(10) **Patent No.:** **US D878,650 S**

(45) **Date of Patent:** **\*\* Mar. 17, 2020**

(54) **FLASHLIGHT**

(71) Applicant: **Promier Products, Inc.**, Peru, IL (US)

(72) Inventor: **Cody Duane Grandadam**, Peru, IL (US)

(73) Assignee: **Promier Products Inc.**, Peru, IL (US)

(\*\*) Term: **15 Years**

(21) Appl. No.: **29/568,777**

(22) Filed: **Jun. 21, 2016**

(51) **LOC (12) Cl.** ..... **26-02**

(52) **U.S. Cl.**  
USPC ..... **D26/42**

(58) **Field of Classification Search**  
USPC ..... D26/37-51  
CPC ..... F21L 2003/00; F21L 4/00; F21L 4/005;  
F21L 4/02; F21L 4/025; F21L 4/027;  
F21L 4/04; F21L 4/08; F21L 2005/00;  
F21L 7/00; F21L 11/00; F21L 13/00;  
F21L 13/04; F21L 13/08; F21L 14/02;  
F21L 17/00; F21L 19/00; F21L 25/00  
See application file for complete search history.

(56) **References Cited**

**U.S. PATENT DOCUMENTS**

1,606,219 A	11/1926	Havens
D241,972 S	10/1976	Nau
4,399,498 A	8/1983	Bacevius
4,533,982 A	8/1985	Kozar
4,623,957 A	11/1986	Moore et al.
4,654,764 A	3/1987	Hsiao
D306,492 S	3/1990	Sharrah
D308,109 S	5/1990	Maglica et al.
D308,258 S	5/1990	Kung-Kit et al.

(Continued)

**FOREIGN PATENT DOCUMENTS**

CN	1637338	7/2005
CN	3536850	6/2006

(Continued)

**OTHER PUBLICATIONS**

E-Z Red, website, Jan. 9, 2010, <https://web.archive.org/web/20100109050858/http://www.ezred.com/>.

(Continued)

*Primary Examiner* — Lakiya G Rogers

*Assistant Examiner* — Carissa C Fitts

(74) *Attorney, Agent, or Firm* — Barnes & Thornburg LLP

(57) **CLAIM**

I claim the ornamental design for a flashlight, as shown and described in FIGS. 1-7.

**DESCRIPTION**

FIG. 1 is a top perspective view of an elongated flashlight according to a new design.

FIG. 2 is a right side view of the elongated flashlight shown in FIG. 1.

FIG. 3 is a left side view of the elongated flashlight shown in FIG. 1.

FIG. 4 is a front view of the elongated flashlight shown in FIG. 1.

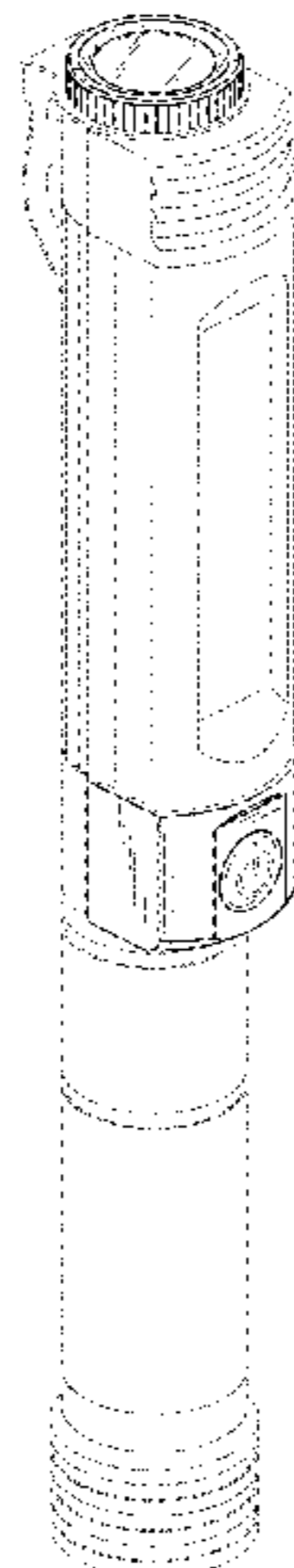
FIG. 5 is a rear view of the elongated flashlight shown in FIG. 1.

FIG. 6 is a top view of the elongated flashlight shown in FIG. 1; and,

FIG. 7 is a bottom view of the elongated flashlight shown in FIG. 1.

Those portions of the present invention which are presented in broken or dotted lines show the environment of the design only and form no part of the claimed design. Moreover, any shading presented in the accompanying drawings is provided merely to highlight the contour of the invention and is not intended to be illustrative of texture or gloss.

**1 Claim, 3 Drawing Sheets**



(56)

References Cited

U.S. PATENT DOCUMENTS

4,956,755	A	9/1990	Maglica et al.	7,325,944	B2	2/2008	Kovacik et al.	
D316,455	S	4/1991	Krol	7,334,918	B2	2/2008	Newton et al.	
D323,717	S	2/1992	Fung	D567,977	S	4/2008	Jianwei	
D324,110	S	2/1992	Yuen	7,390,105	B2	6/2008	Nelson et al.	
5,101,333	A	3/1992	Glassford	7,410,272	B2	8/2008	Halasz	
5,158,358	A	10/1992	Maglica et al.	D578,236	S	10/2008	Dalton	
D335,756	S	5/1993	Gaynor	D581,568	S	11/2008	Bertken	
D349,776	S	8/1994	Yuen	7,481,554	B2	1/2009	Anderson et al.	
5,400,227	A	3/1995	Maglica et al.	7,513,662	B2	4/2009	Parker et al.	
5,404,670	A	4/1995	Noll	7,517,107	B2	4/2009	Dallas et al.	
5,442,380	A	8/1995	McCormick et al.	D593,695	S	6/2009	Levine	
5,448,463	A	9/1995	Leen	7,540,623	B2	6/2009	Petzl et al.	
D371,214	S	6/1996	Terry, Sr.	7,572,024	B2	8/2009	Ko et al.	
D376,865	S	12/1996	Chan	7,591,572	B1	9/2009	Levine	
D378,434	S	3/1997	Petterson et al.	D605,795	S	12/2009	Baker et al.	
D397,478	S	8/1998	Booty, Jr.	D612,969	S	3/2010	Schoch et al.	
D404,839	S	1/1999	Petterson et al.	D615,226	S	5/2010	Levine	
D410,557	S	6/1999	Petterson et al.	7,717,586	B2	5/2010	Tucker	
5,993,022	A	11/1999	Neyer et al.	D620,627	S	7/2010	Kovacik et al.	
6,000,809	A	12/1999	Belo	D625,860	S	10/2010	Bertken	
D428,175	S	7/2000	Lynch et al.	7,850,329	B2	12/2010	Henry et al.	
D430,321	S	8/2000	Sharrah	D637,749	S	5/2011	Bayat et al.	
6,176,592	B1	1/2001	Kovacik et al.	8,025,420	B2	9/2011	Henry et al.	
D438,656	S	3/2001	Lupica	8,038,324	B2	10/2011	Chen	
D445,932	S	7/2001	Ceder	D649,275	S	11/2011	Crawford	
D450,873	S	11/2001	Opolka	D651,333	S	12/2011	Schrimmer	
D455,511	S	4/2002	Chang	D655,027	S	2/2012	Milz	
6,366,028	B1	4/2002	Wener et al.	D656,646	S	3/2012	Kawase et al.	
D462,802	S	9/2002	Kovacik et al.	D656,647	S	3/2012	Hodgson	
6,457,841	B1	10/2002	Lynch et al.	D658,322	S	4/2012	Wu	
D467,375	S	12/2002	Lynch et al.	8,152,329	B2	4/2012	Liao	
6,575,587	B2	6/2003	Cramer et al.	D668,806	S	10/2012	Chapman et al.	
6,585,400	B2	7/2003	Leen	8,348,454	B2	1/2013	Henry et al.	
D485,364	S	1/2004	Lee	D676,170	S	2/2013	Feng	
D495,442	S	8/2004	Packard	8,414,142	B2	4/2013	Tucker et al.	
D496,483	S	9/2004	Christianson	D681,858	S	5/2013	Sharrah	
6,802,623	B1	10/2004	Hsu et al.	8,628,210	B2	1/2014	Tucker et al.	
D498,551	S	11/2004	Chan	D703,356	S	4/2014	Grandadam	
D501,055	S	1/2005	Packard	D721,841	S	* 1/2015	Kwon ..... D26/37	
6,857,756	B2	2/2005	Reiff et al.	D729,963	S	5/2015	Windom	
D504,529	S	4/2005	Vickers et al.	D732,215	S	6/2015	Su	
D504,530	S	4/2005	Shiu	D736,975	S	8/2015	Tang	
D505,217	S	5/2005	Bayat et al.	D737,488	S	8/2015	Chen	
6,893,143	B2	5/2005	Opolka	D739,063	S	9/2015	Su	
6,905,223	B2	6/2005	Halasz	D742,568	S	* 11/2015	Abernethy ..... D26/42	
6,913,370	B2	7/2005	Ping	D745,987	S	12/2015	Nawaz	
D509,008	S	8/2005	Shiu	D749,254	S	2/2016	Robinson et al.	
6,979,098	B2	12/2005	Petzl et al.	D750,303	S	2/2016	Levy et al.	
7,011,423	B2	3/2006	Chen	D752,792	S	* 3/2016	Grandadam ..... D26/42	
D521,166	S	5/2006	Yamamoto et al.	D754,899	S	4/2016	Cooper	
7,040,783	B1	5/2006	Christianson	D757,971	S	* 5/2016	Kovacik ..... D26/37	
D523,839	S	6/2006	Li	D757,972	S	5/2016	Caito et al.	
D524,474	S	7/2006	Lo et al.	D757,973	S	5/2016	Zhang	
D526,077	S	8/2006	Leen	D760,927	S	* 7/2016	Bao ..... D26/24	
D527,129	S	8/2006	Hodgson	D760,928	S	* 7/2016	Bao ..... D26/24	
7,083,298	B2	8/2006	Pritchard et al.	D765,898	S	9/2016	Caito	
7,108,403	B1	9/2006	Walters et al.	D767,183	S	9/2016	Caito et al.	
7,111,965	B2	9/2006	Hsu	D770,071	S	10/2016	Windom et al.	
D530,843	S	10/2006	Yamamoto	D794,236	S	8/2017	Kovacik et al.	
D532,131	S	11/2006	Thuma et al.	D799,084	S	10/2017	Wu	
7,172,310	B2	2/2007	Hsu	D803,444	S	* 11/2017	Green ..... D26/49	
7,175,303	B2	2/2007	Kovacik et al.	D806,923	S	* 1/2018	Koshiba ..... D26/42	
7,175,318	B2	2/2007	Booty, Jr.	D809,169	S	* 1/2018	Grandadam ..... D26/38	
D538,456	S	3/2007	Trigiani et al.	D810,335	S	* 2/2018	Levy ..... D26/37	
D541,962	S	5/2007	Bayat	D811,635	S	2/2018	Urry et al.	
D541,965	S	5/2007	Shiu	D817,528	S	5/2018	Wu	
D542,450	S	5/2007	Shiu	2003/0095408	A1	5/2003	Opolka	
D543,301	S	5/2007	Chen	2004/0246726	A1	12/2004	Opolka	
7,220,012	B2	5/2007	Liu	2005/0152137	A1	7/2005	Opolka	
7,222,996	B2	5/2007	Lin	2005/0265035	A1	12/2005	Brass et al.	
7,241,024	B2	7/2007	Kindberg	2006/0139936	A1	6/2006	Lin	
D548,837	S	8/2007	Oikawa	2006/0262526	A1	11/2006	Dubois	
D554,783	S	11/2007	Shiu	2007/0216980	A1	9/2007	Shirakura et al.	
D556,926	S	12/2007	Thirouin	2008/0055888	A1	3/2008	Sharrah et al.	
7,318,657	B2	1/2008	Booty, Jr.	2008/0174991	A1	7/2008	Tucker	
				2009/0097263	A1	4/2009	Ko	
				2009/0122562	A1	5/2009	Lee	
				2009/0147519	A1	6/2009	Klipstein et al.	
				2009/0154161	A1	6/2009	Parker et al.	

(56)

**References Cited**

U.S. PATENT DOCUMENTS

2009/0290335 A1 11/2009 Levine  
2009/0323344 A1 12/2009 Crawford et al.  
2010/0008082 A1 1/2010 Brass et al.  
2010/0254122 A1 10/2010 Bayat et al.  
2011/0096537 A1 4/2011 Steele et al.  
2013/0286639 A1 10/2013 Choo

FOREIGN PATENT DOCUMENTS

CN 300843739 10/2008  
CN 201680159 12/2010  
CN 301942641 5/2012  
CN 301942642 5/2012  
CN 301942677 5/2012  
CN 303209414 5/2015  
CN 303278861 7/2015  
CN 303410179 10/2015  
CN 304067282 3/2017  
CN 304106604 4/2017

OTHER PUBLICATIONS

E-Z Red, website, Mar. 26, 2010, [https://web.archive.org/web/20100326143017/http://www.ezred.com/Product\\_Pages/PCLED6.htm](https://web.archive.org/web/20100326143017/http://www.ezred.com/Product_Pages/PCLED6.htm).

Amazon.com, website, Aug. 1, 2016, [https://www.amazon.com/E-Z-Red-PCLED6-Pocket-Light/dp/B002Z36V6M/ref=sr\\_1\\_13?s](https://www.amazon.com/E-Z-Red-PCLED6-Pocket-Light/dp/B002Z36V6M/ref=sr_1_13?s).

ToolTopia.com, website, Mar. 29, 2010, <https://web.archive.org/web/20100329150711/http://www.tooltopia.com/e-z-ed-pcled6.aspx>.

\* cited by examiner

FIG.1

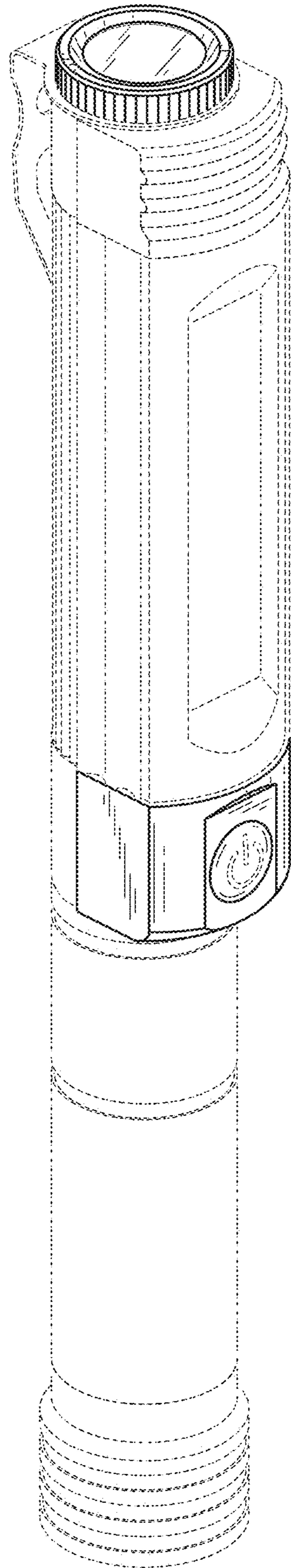


FIG.2

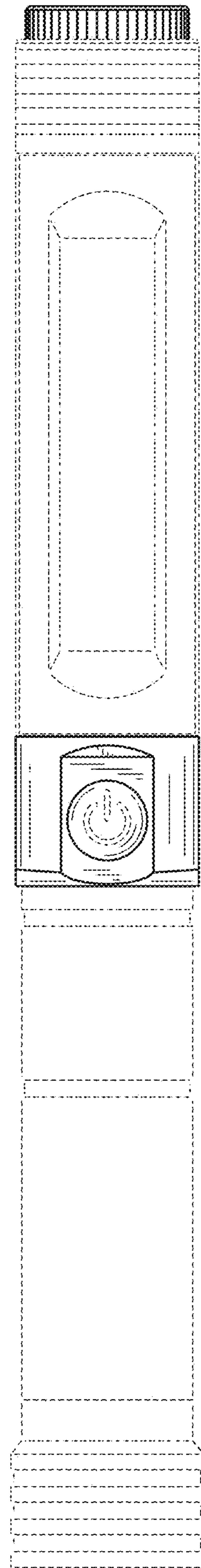


FIG. 3

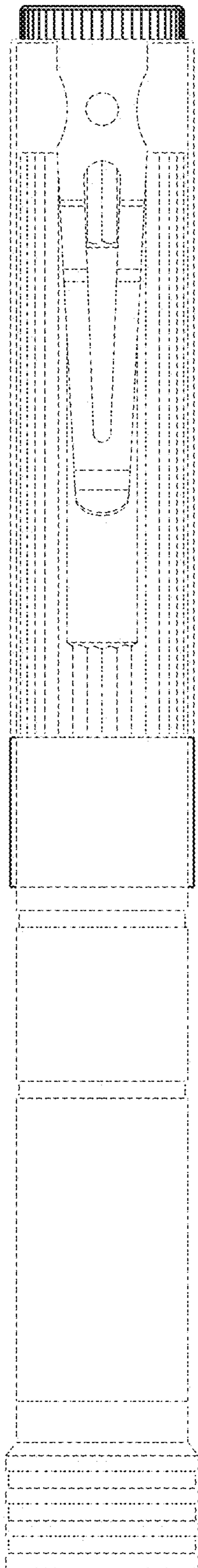


FIG. 4

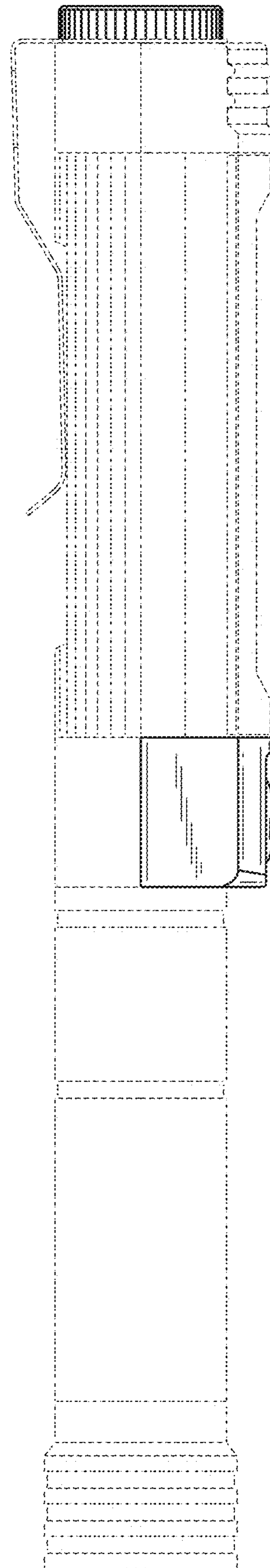


FIG. 5

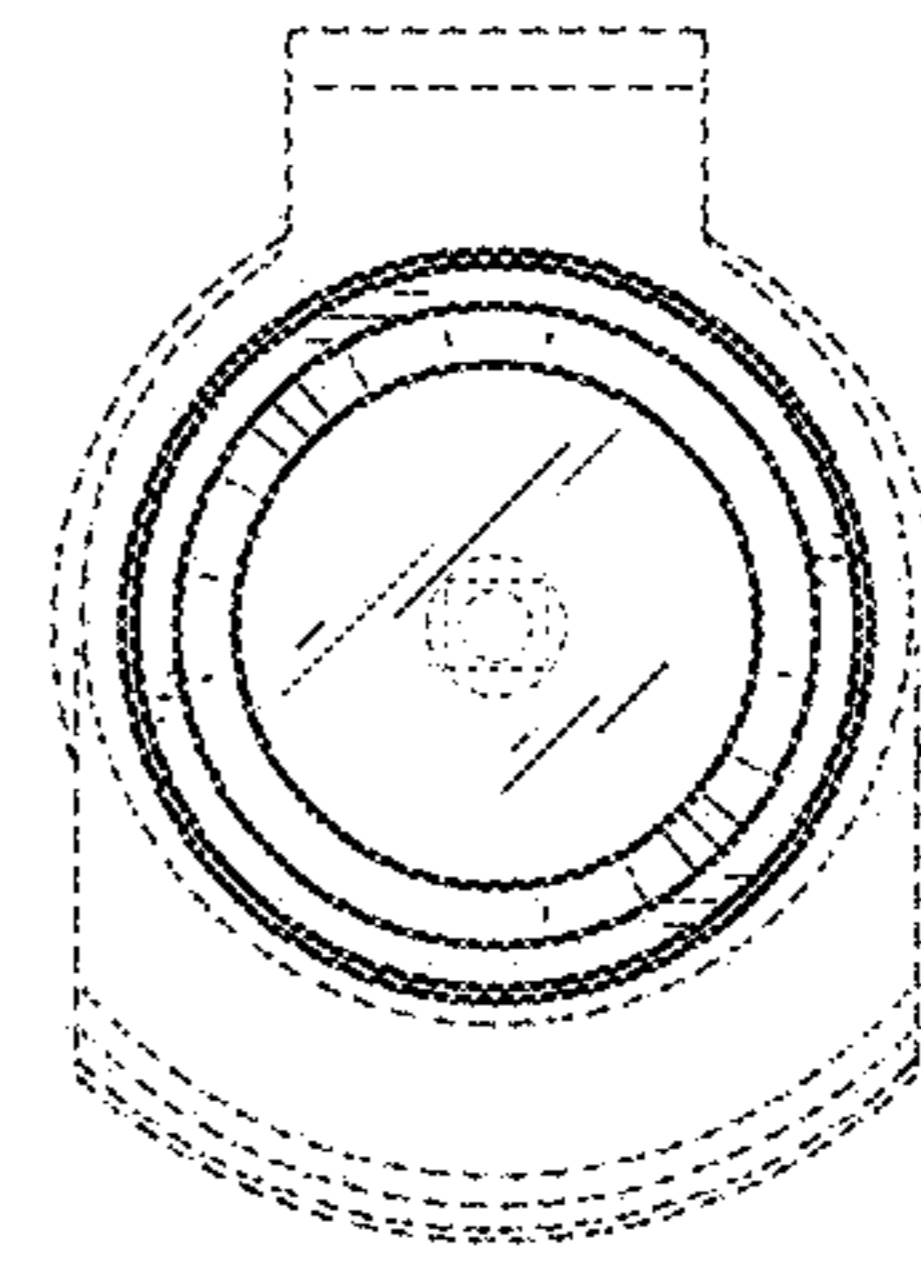
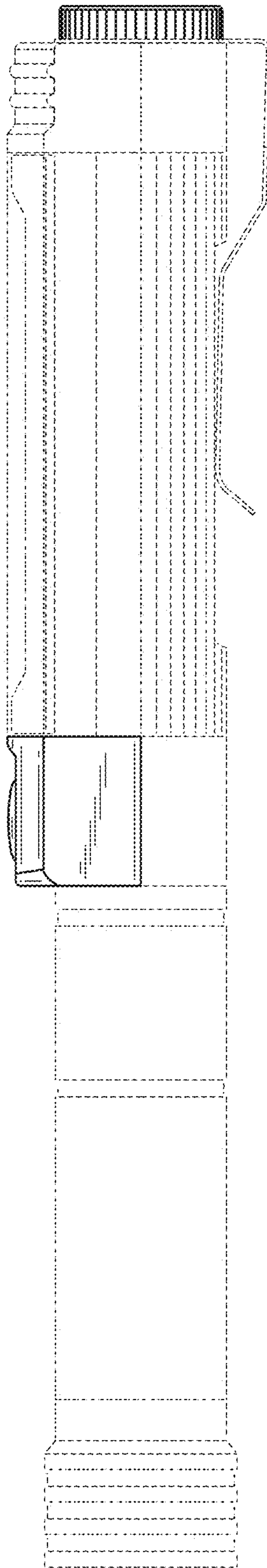


FIG. 6

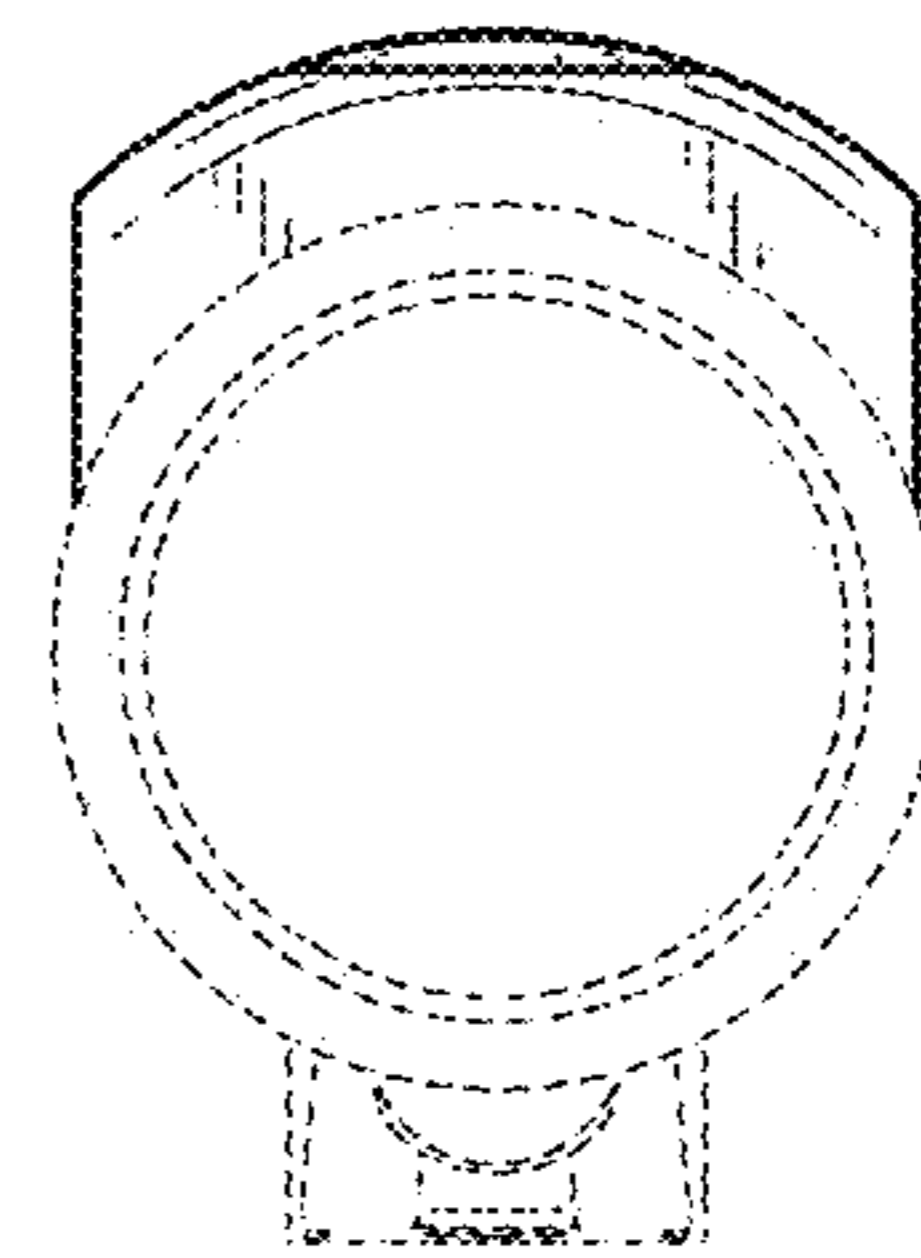


FIG. 7