



US00D878648S

(12) **United States Design Patent** (10) **Patent No.:** **US D878,648 S**
Zhao (45) **Date of Patent:** **** Mar. 17, 2020**

(54) **EMERGENCY LIGHT**

(71) Applicant: **Yan Zhao**, Zhongshan (CN)

(72) Inventor: **Yan Zhao**, Zhongshan (CN)

(**) Term: **15 Years**

(21) Appl. No.: **29/667,558**

(22) Filed: **Oct. 23, 2018**

(51) **LOC (12) Cl.** **26-02**

(52) **U.S. Cl.**
USPC **D26/37**

(58) **Field of Classification Search**
USPC D26/1, 24, 25, 43, 60, 110, 113, 28, 37,
D26/61, 85, 102, 138-140, 39, 38, 48, 51,
D26/93, 129, 141; 362/249.14, 311.02,
362/311.13
CPC F21S 4/00; F21S 4/10; F21S 4/15; F21S
4/26; F21S 2/00; F21V 11/02; F21V
11/06; F21V 17/10; F21V 17/16; F21V
23/00; F21V 23/04; F21V 33/00; F21W
2121/00; F21W 2121/04; F21Y 2115/10;
F21L 4/00; F21L 4/02; F21L 4/04; F21L
4/08

See application file for complete search history.

(56) **References Cited**

U.S. PATENT DOCUMENTS

D760,414 S *	6/2016	Brown	D26/37
D779,092 S *	2/2017	Xu	D26/37
D816,876 S *	5/2018	Bao	D26/37
D831,248 S *	10/2018	Kuhls	D26/37
D858,831 S *	9/2019	Proeber	D26/37

* cited by examiner

Primary Examiner — Abraham Bahta

(74) *Attorney, Agent, or Firm* — HYIP

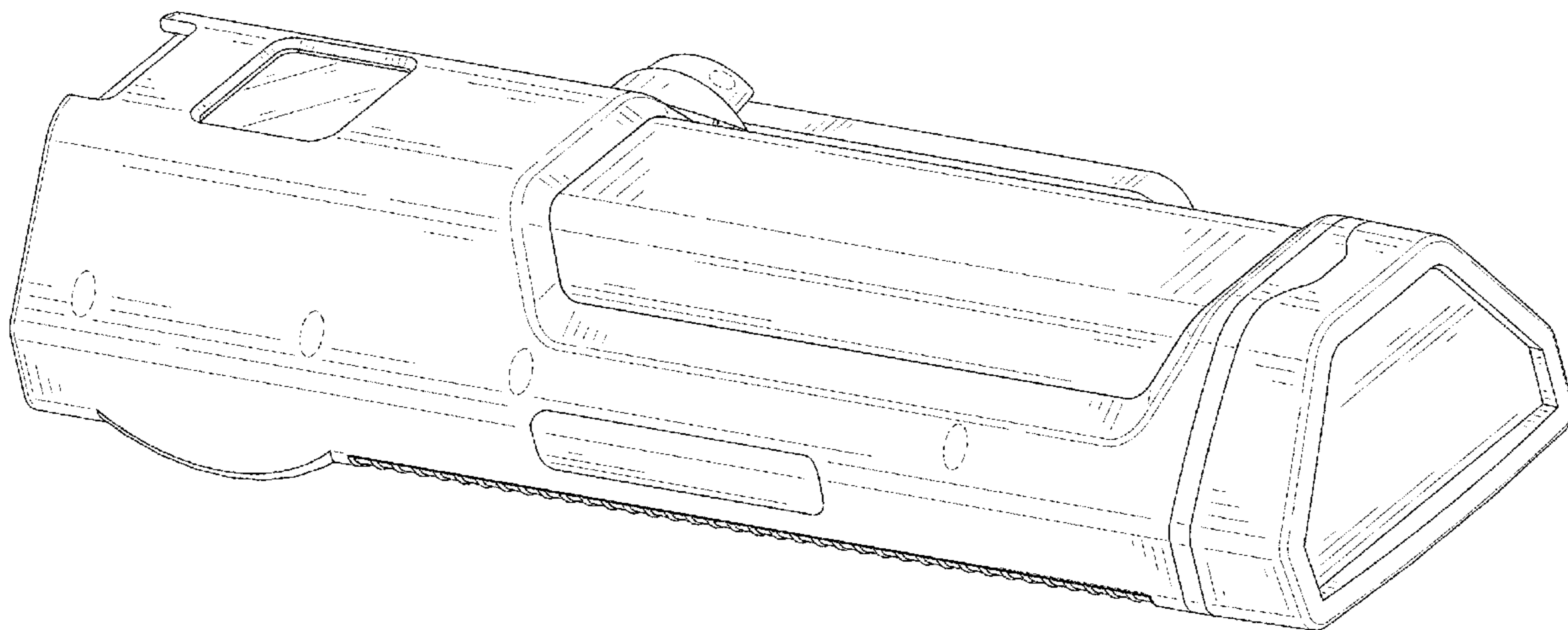
(57) **CLAIM**

The ornamental design for an emergency light, as shown and described.

DESCRIPTION

FIG.1 is a first perspective view showing an emergency light showing my new design;
FIG.2 is a second perspective view thereof;
FIG.3 is a front view thereof;
FIG.4 is a back view thereof;
FIG.5 is a left side view-thereof;
FIG.6 is a right side view thereof;
FIG.7 is a top plan view thereof; and,
FIG.8 is a bottom plan view thereof.

1 Claim, 8 Drawing Sheets



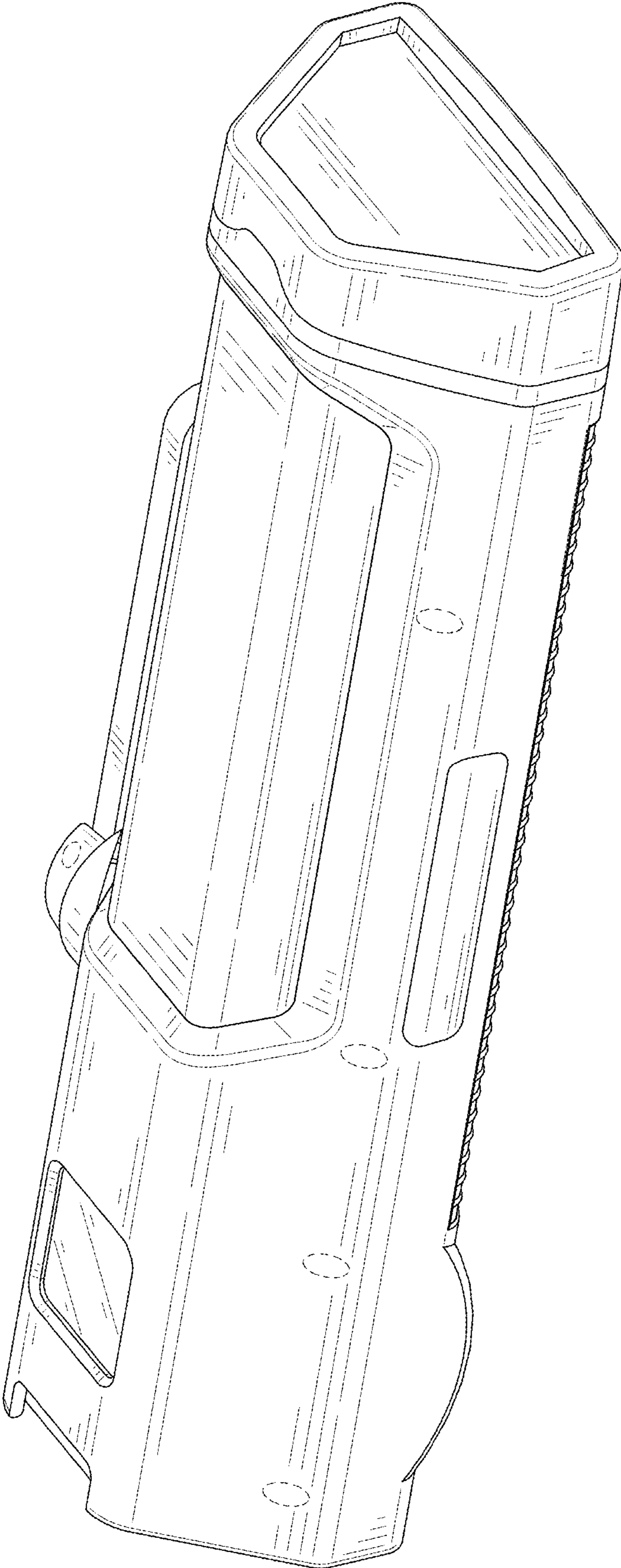


FIG. 1

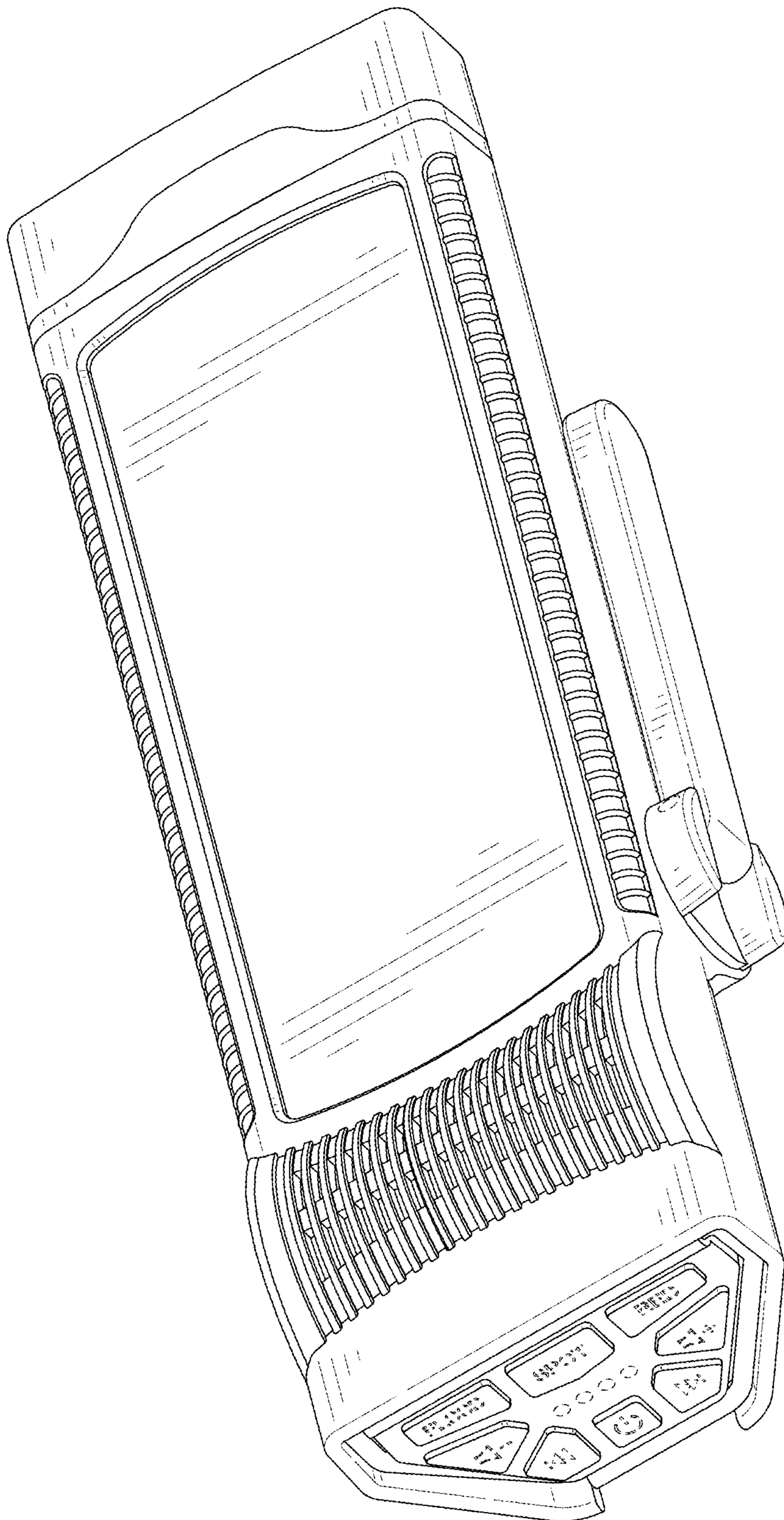


FIG. 2

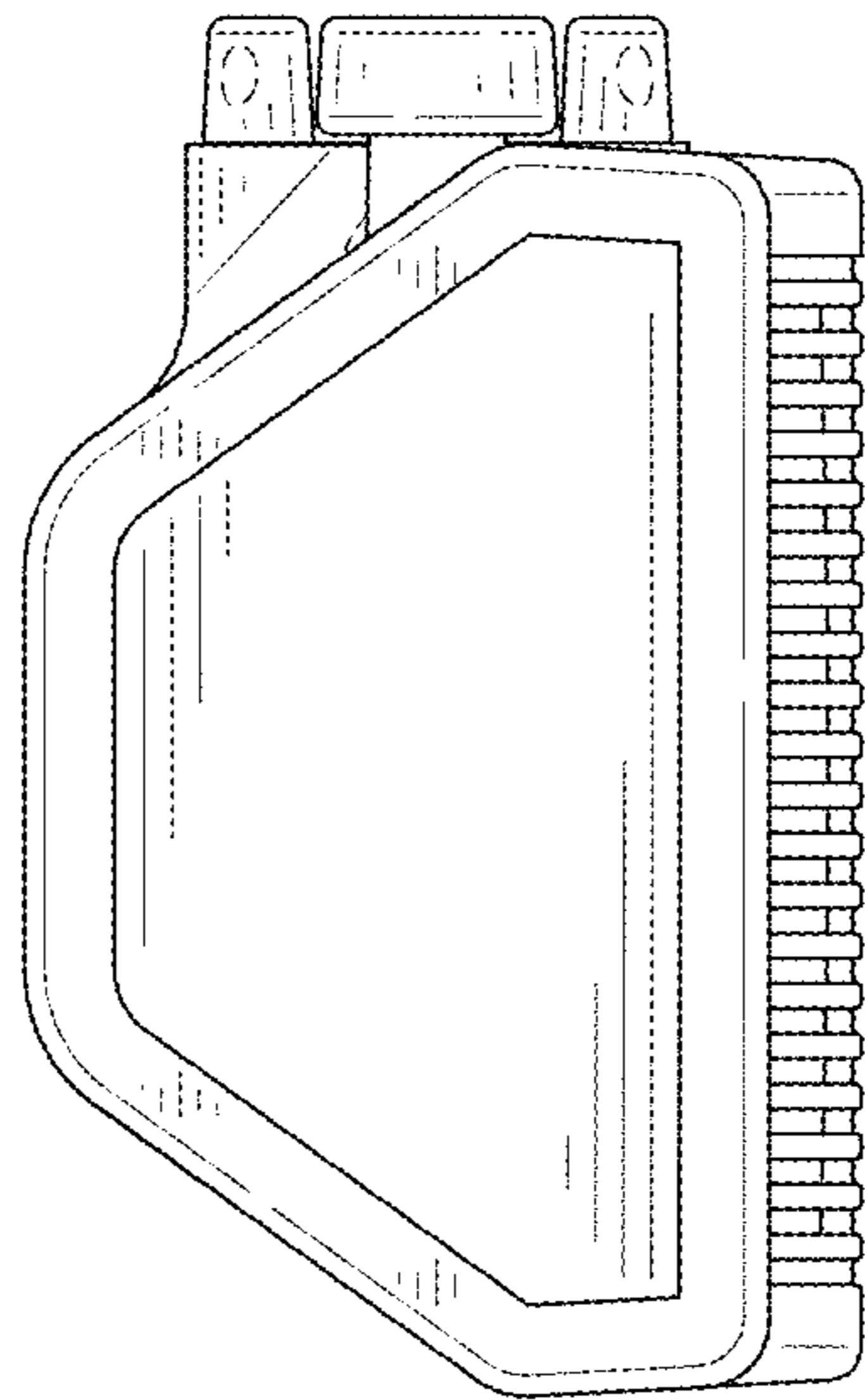


FIG. 3

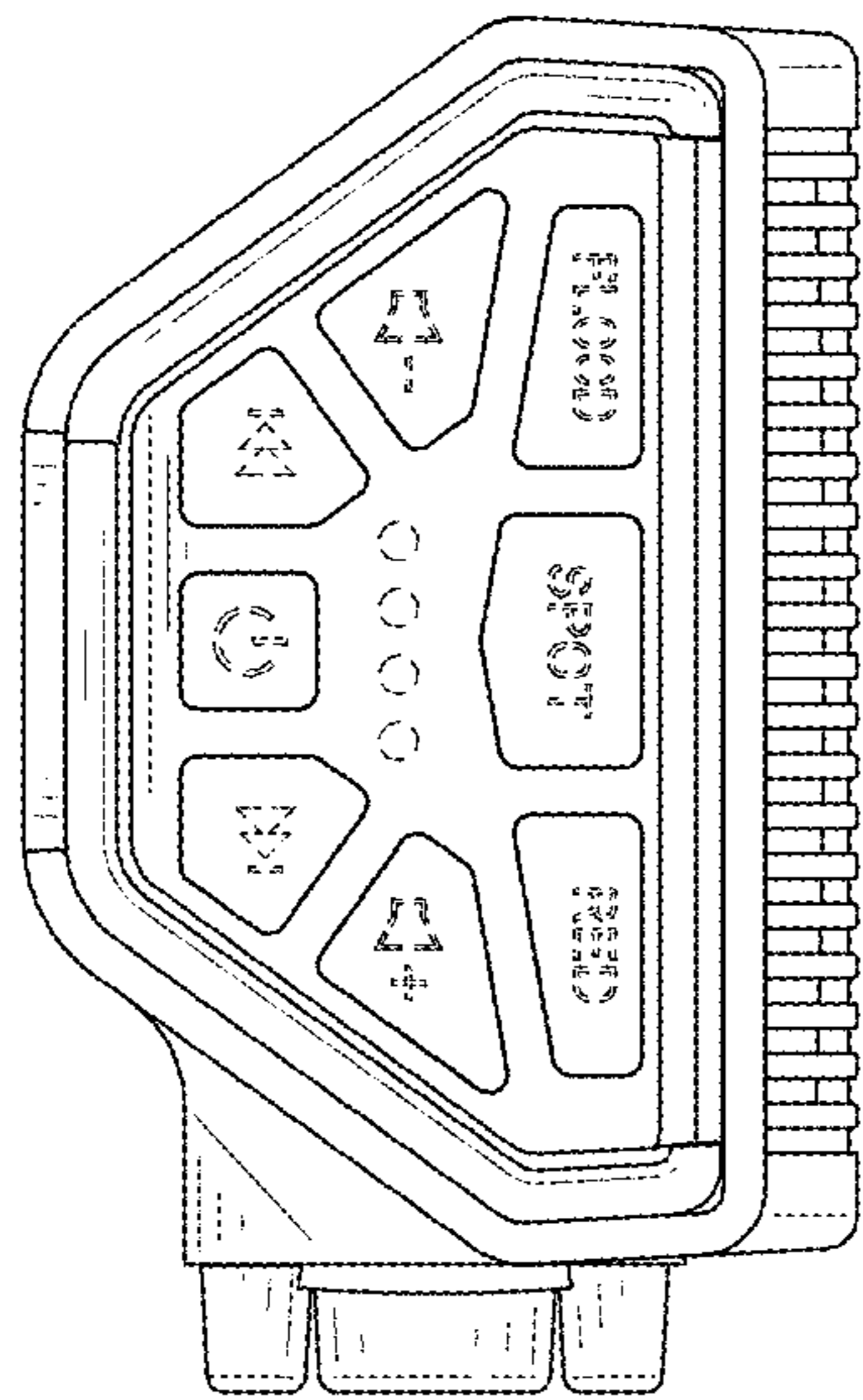


FIG. 4

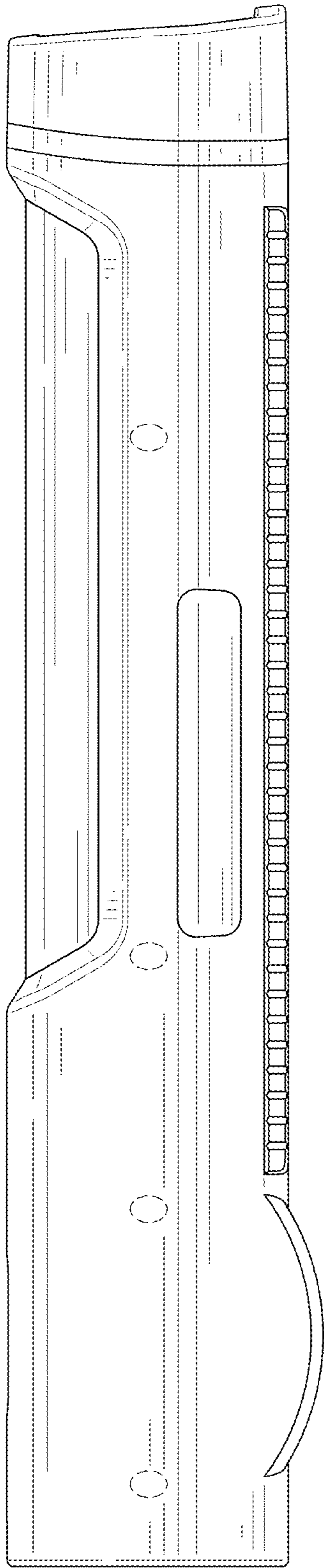


FIG. 5

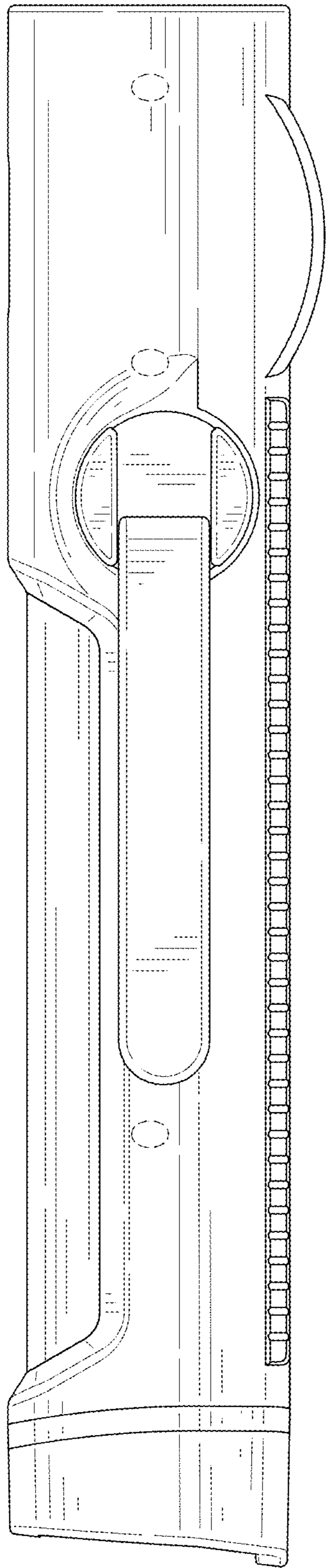


FIG. 6

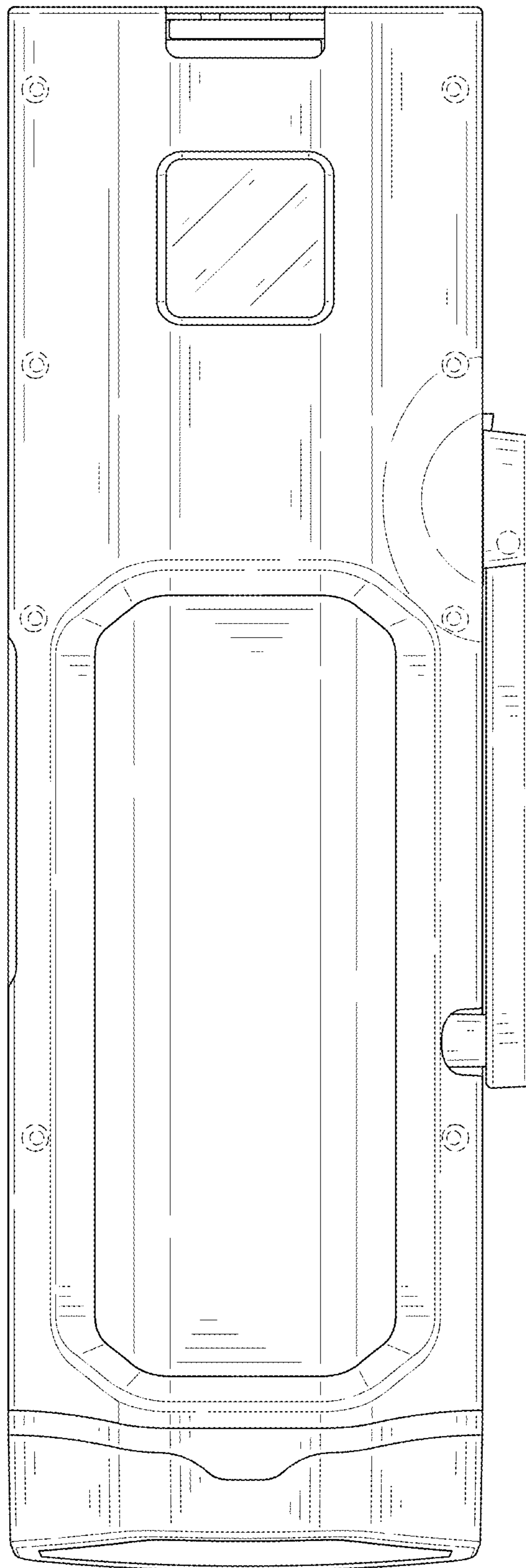


FIG. 7

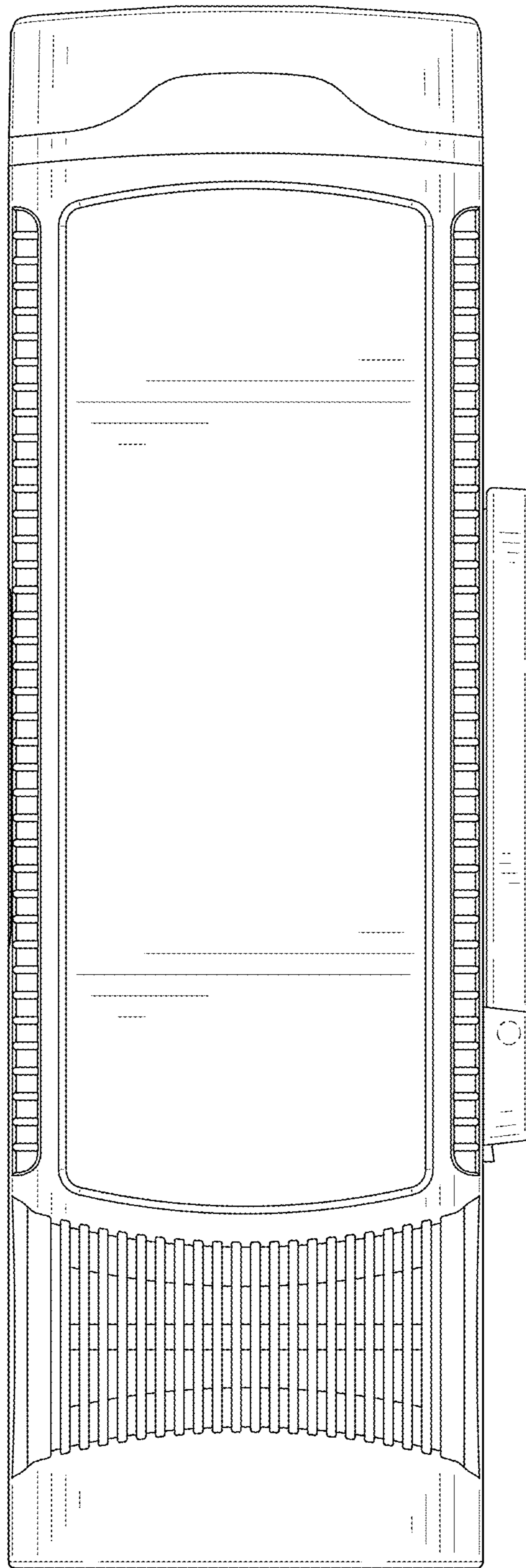


FIG. 8