



US00D878642S

(12) **United States Design Patent**
Ren

(10) **Patent No.: US D878,642 S**

(45) **Date of Patent: ** *Mar. 17, 2020**

(54) **CAR LED HEADLIGHT**

(56)

References Cited

(71) Applicant: **GUANGZHOU SHI OULIANG ZHAOMING LIMITED**, Guangzhou (Guangdong Province) (CN)

U.S. PATENT DOCUMENTS

(72) Inventor: **Sanpeng Ren**, Nanzhao (CN)

D616,124 S	*	5/2010	Wu	D26/28
D690,851 S	*	10/2013	Lai	D26/28
D690,853 S	*	10/2013	Huang	D26/28
D711,023 S	*	8/2014	Wu	D26/28
D739,581 S	*	9/2015	Huang	D26/28

(73) Assignee: **GUANGZHOU SHI OULIANG ZHAOMING LIMITED**, Guangzhou (CN)

* cited by examiner

(*) Notice: This patent is subject to a terminal disclaimer.

Primary Examiner — Marcus A Jackson

(74) *Attorney, Agent, or Firm* — Yong Chen

(**) Term: **15 Years**

(57)

CLAIM

(21) Appl. No.: **29/633,748**

The ornamental design for a car LED headlight, as shown and described.

(22) Filed: **Jan. 15, 2018**

DESCRIPTION

(51) **LOC (12) Cl.** **26-06**

(52) **U.S. Cl.**
USPC **D26/28**

(58) **Field of Classification Search**
USPC D26/28–36
CPC F21S 48/00; F21S 48/10; F21S 48/115;
F21S 48/225; F21S 48/1233; F21S 48/1266; F21S 48/1388; F21S 48/2268;
F21V 21/04; F21V 5/00; F21V 13/00;
F21V 29/004

FIG. 1 is a front view of a car LED headlight of the present invention.

FIG. 2 is a back view thereof.

FIG. 3 is a left view thereof.

FIG. 4 is a right view thereof.

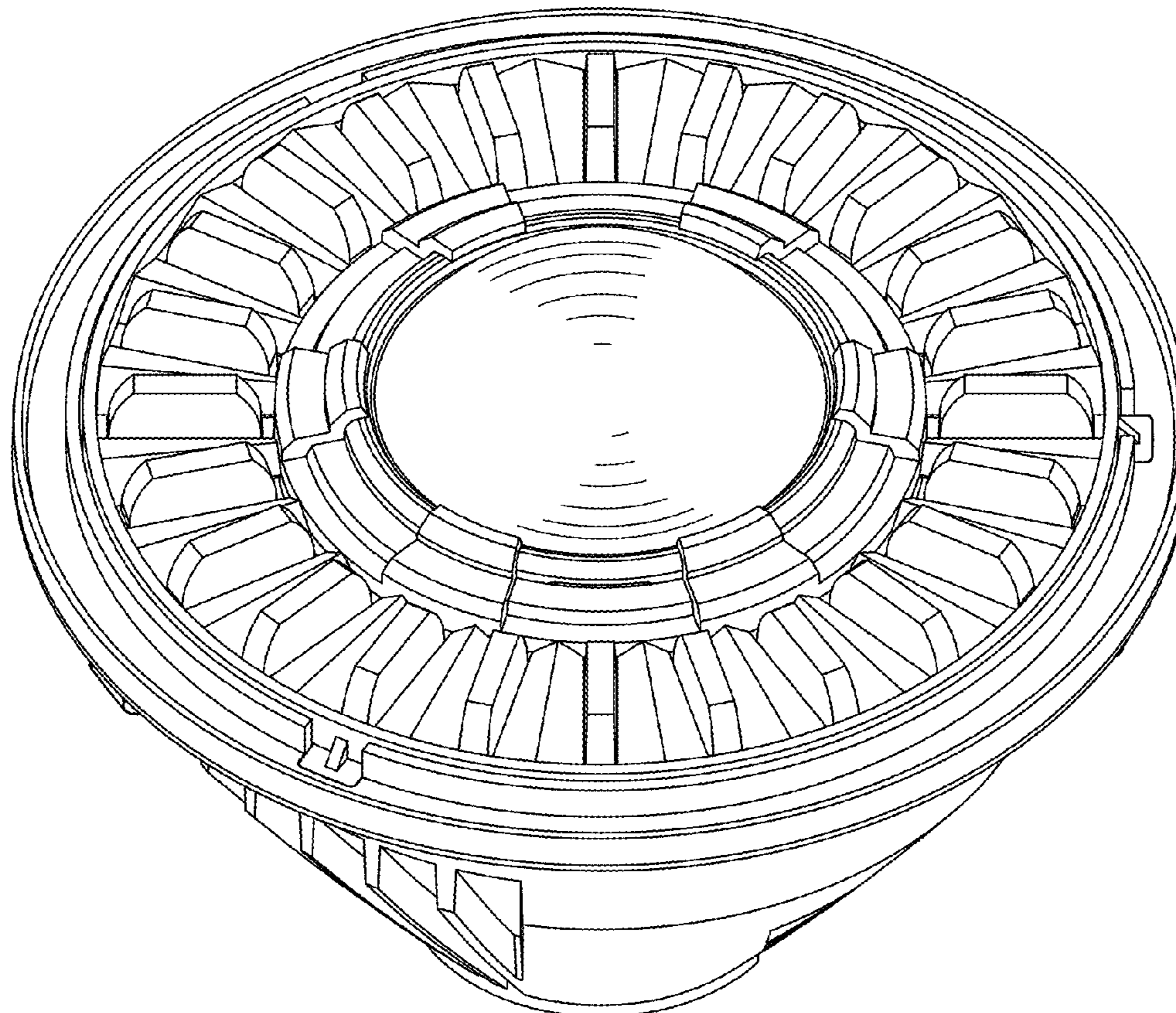
FIG. 5 is a top view thereof.

FIG. 6 is a bottom view thereof; and,

FIG. 7 is a perspective view thereof.

See application file for complete search history.

1 Claim, 7 Drawing Sheets



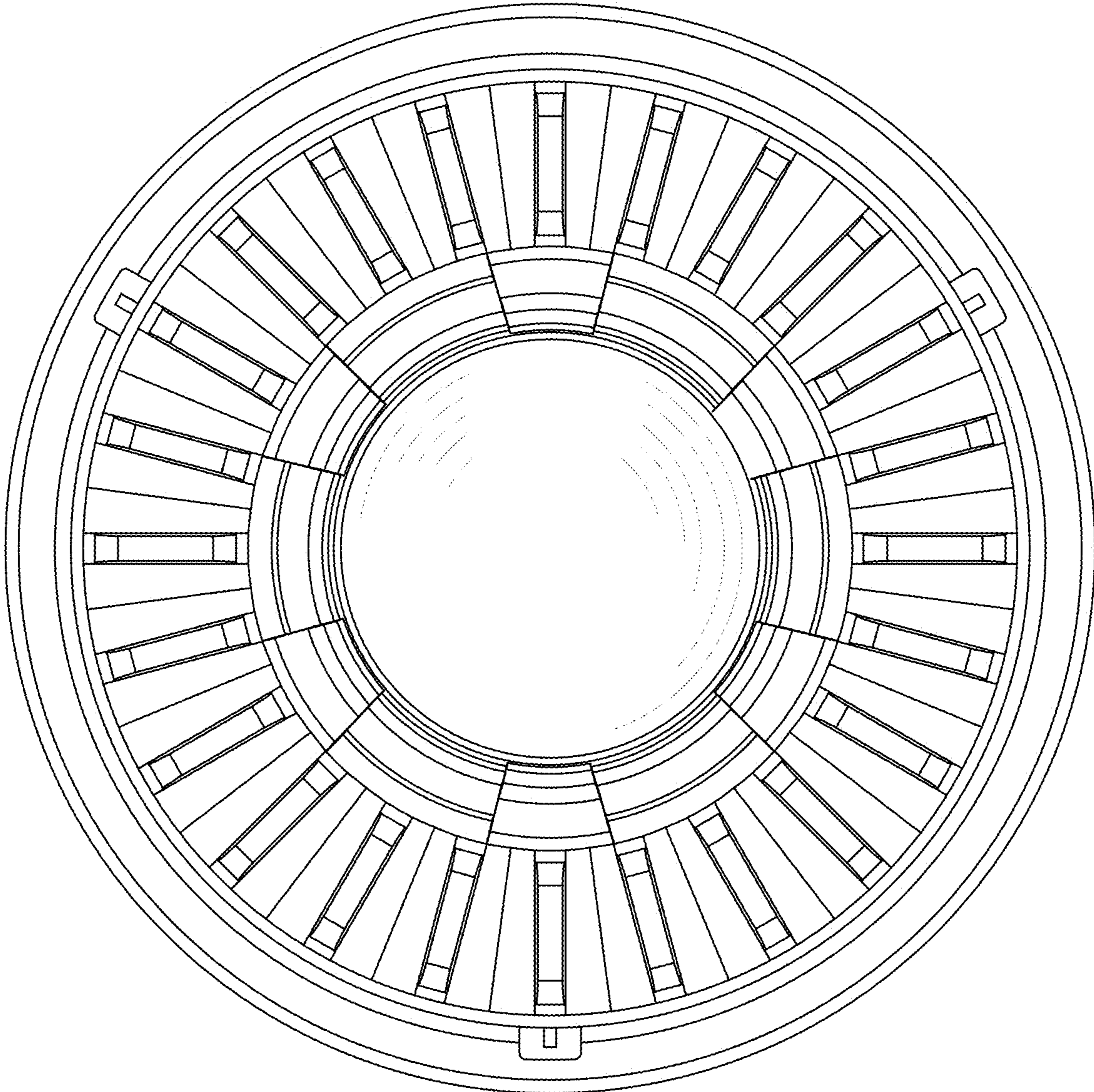


FIG. 1

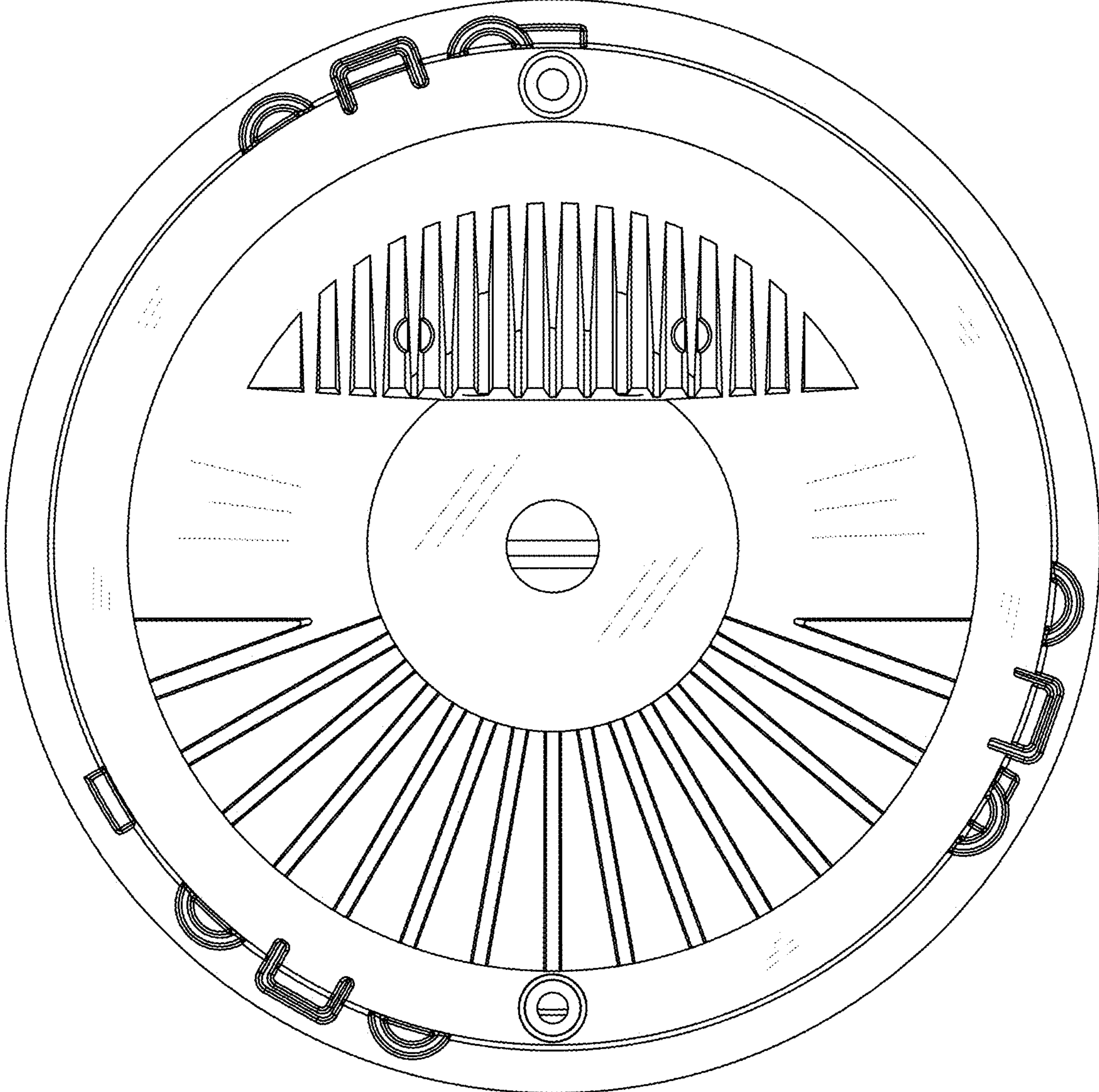


FIG. 2

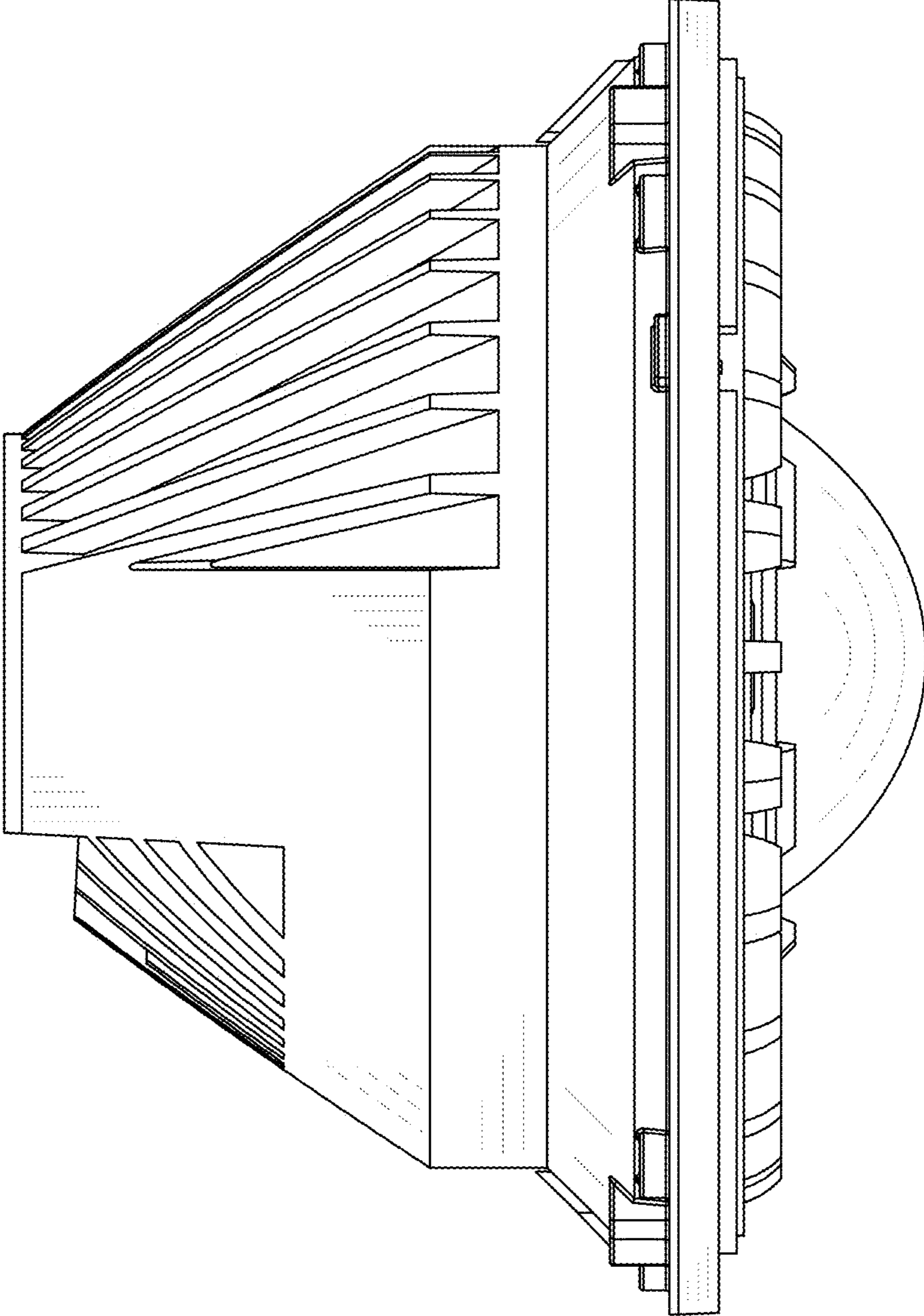


FIG. 3

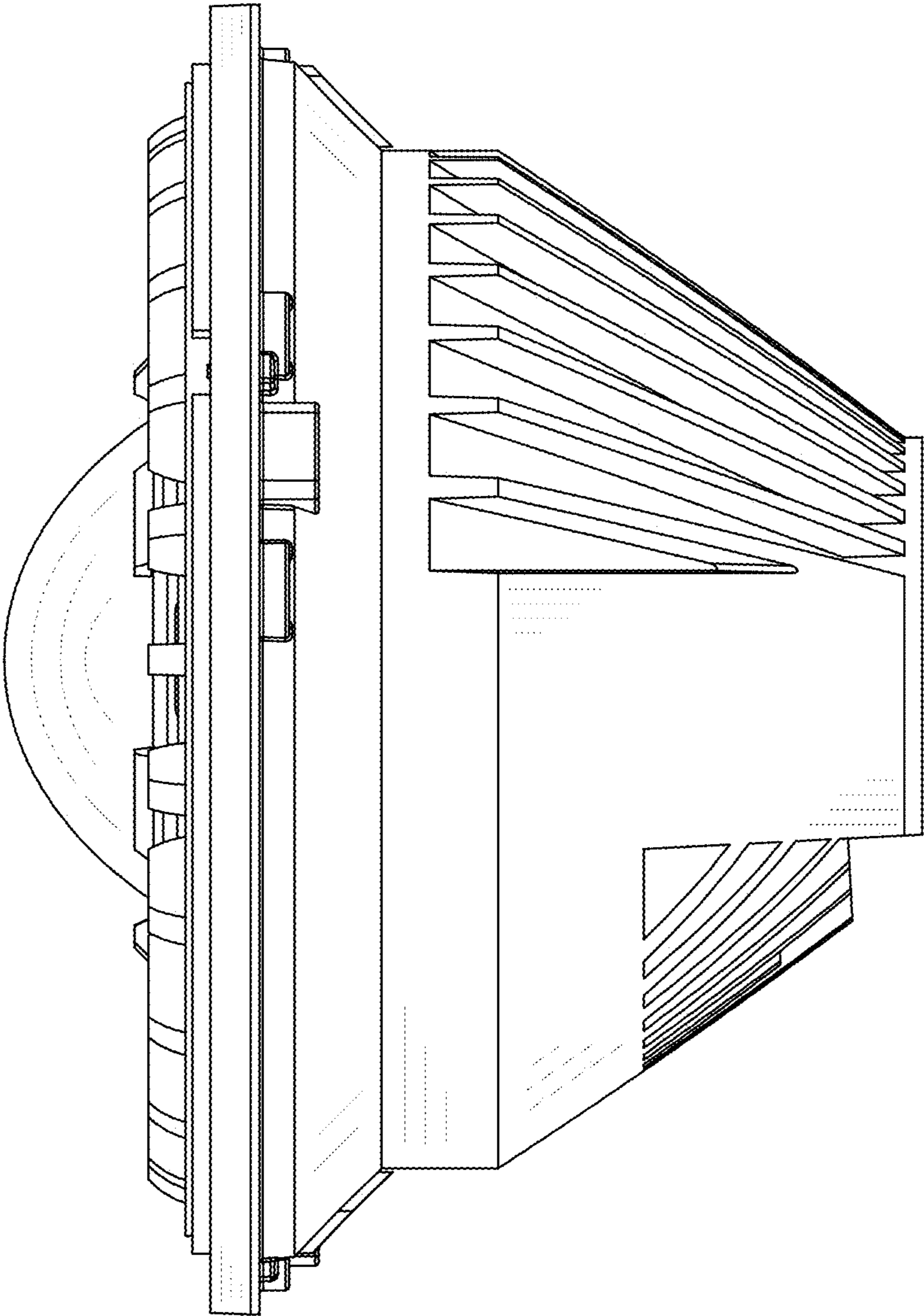


FIG. 4

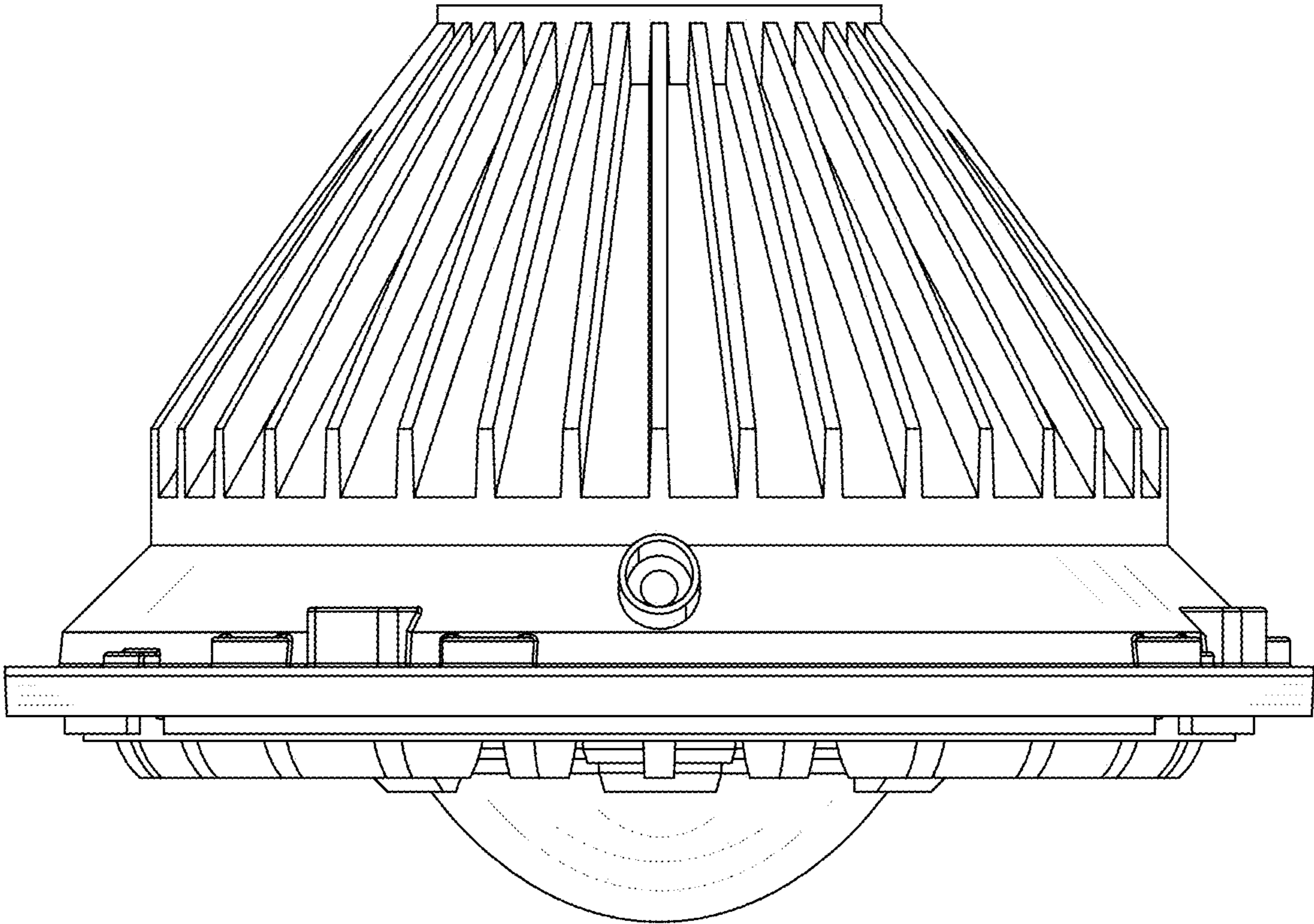


FIG. 5

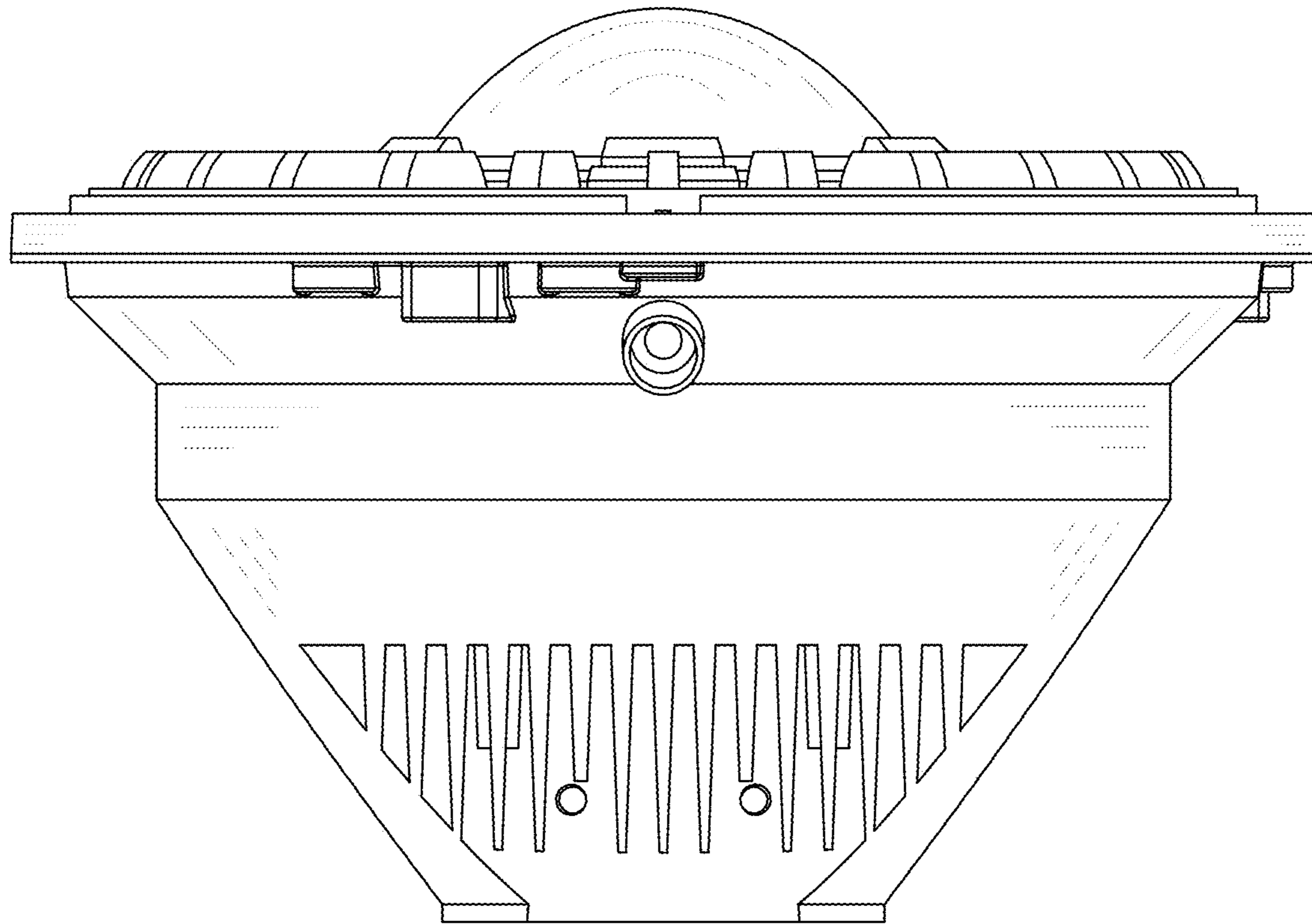


FIG. 6

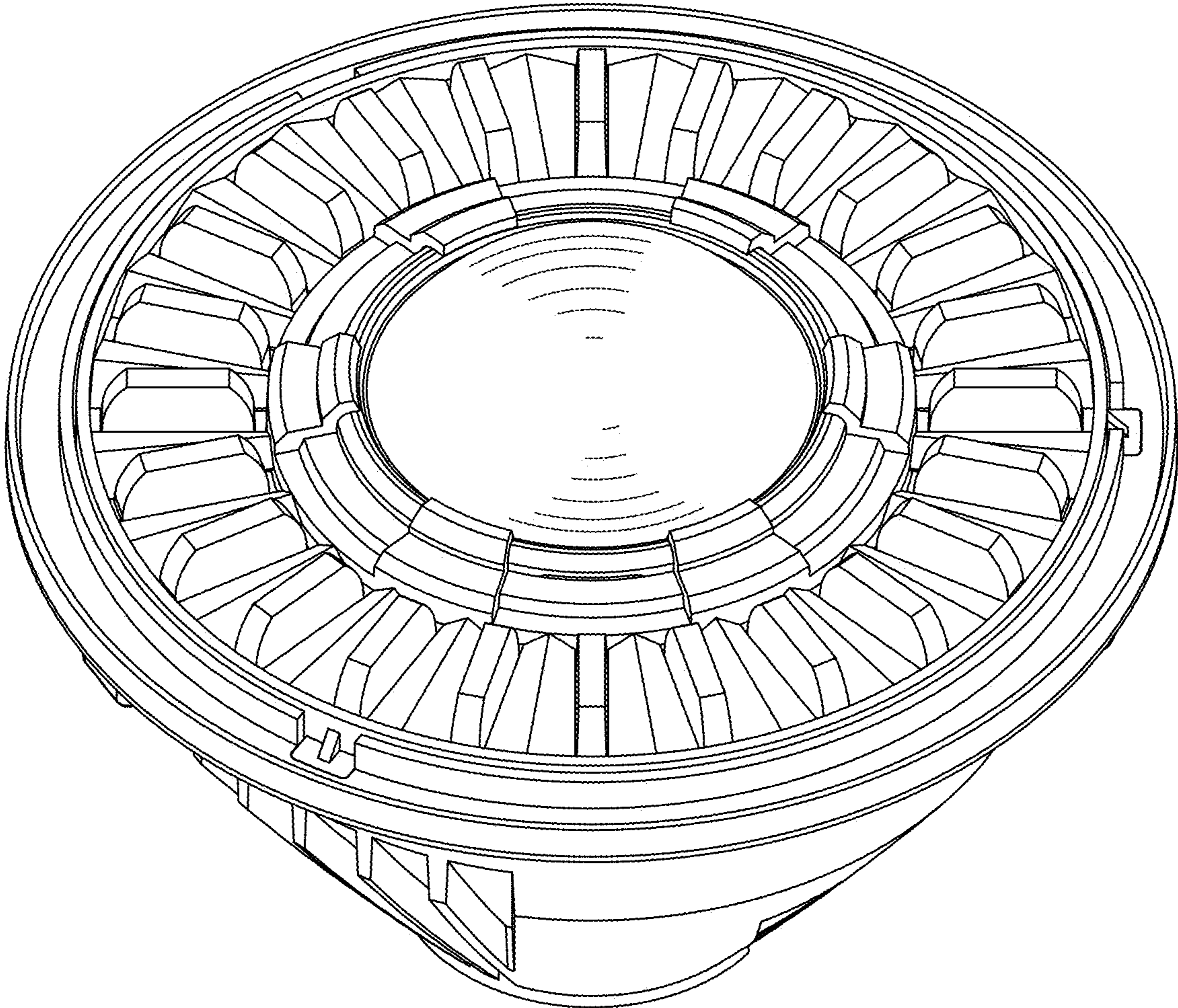


FIG. 7