



US00D878641S

(12) **United States Design Patent**
Zabe

(10) **Patent No.:** **US D878,641 S**
(45) **Date of Patent:** **** Mar. 17, 2020**

(54) **BALER LIGHT**

(71) Applicant: **Deere & Company**, Moline, IL (US)

(72) Inventor: **Mickael Zabe**, Ougney (FR)

(73) Assignee: **DEERE & COMPANY**, Moline, IL (US)

(**) Term: **15 Years**

(21) Appl. No.: **29/629,819**

(22) Filed: **Dec. 15, 2017**

(30) **Foreign Application Priority Data**

Jun. 26, 2017 (EM) 004067312-0001
Jun. 26, 2017 (EM) 004067379-0001
Jul. 11, 2017 (EM) 004097715-0001

(51) **LOC (12) Cl.** **26-06**

(52) **U.S. Cl.**
USPC **D26/28; D15/28**

(58) **Field of Classification Search**
USPC D26/28; D15/28; D12/92, 98
(Continued)

(56) **References Cited**

U.S. PATENT DOCUMENTS

3,894,484 A 7/1975 Anstey
3,913,473 A 10/1975 Meiers
(Continued)

OTHER PUBLICATIONS

“YouTube—John Deere—Ballenpressen Serie R—Variable Chamber.” Found online Jul. 16, 2019 at www.youtube.com. Video published Jan. 23, 2018. Retrieved from URL: <https://www.youtube.com/watch?v=GlbJeXTfnO4> (Year: 2018).*

(Continued)

Primary Examiner — Mary Ann Calabrese

Assistant Examiner — Katelin G Kloberg

(74) *Attorney, Agent, or Firm* — Klintworth & Rozenblat IP LLP

(57) **CLAIM**

The ornamental design for a baler light, as shown and described.

DESCRIPTION

FIG. 1 is a top, front, right side perspective view of a baler light, showing a first embodiment of my new design; FIG. 2 is a right side elevation view thereof; FIG. 3 is a left side elevation view thereof; FIG. 4 is a front elevation view thereof; and FIG. 5 is a rear elevation view thereof.

FIG. 6 is a top plan view thereof; FIG. 7 is a bottom plan view thereof; FIG. 8 is an enlarged perspective view thereof taken along arc 8-8 in FIG. 1;

FIG. 9 is a top, front, right side perspective view of a baler light, showing a second embodiment of my new design; FIG. 10 is a right side elevation view thereof; FIG. 11 is a left side elevation view thereof; FIG. 12 is a front elevation view thereof; and FIG. 13 is a rear elevation view thereof.

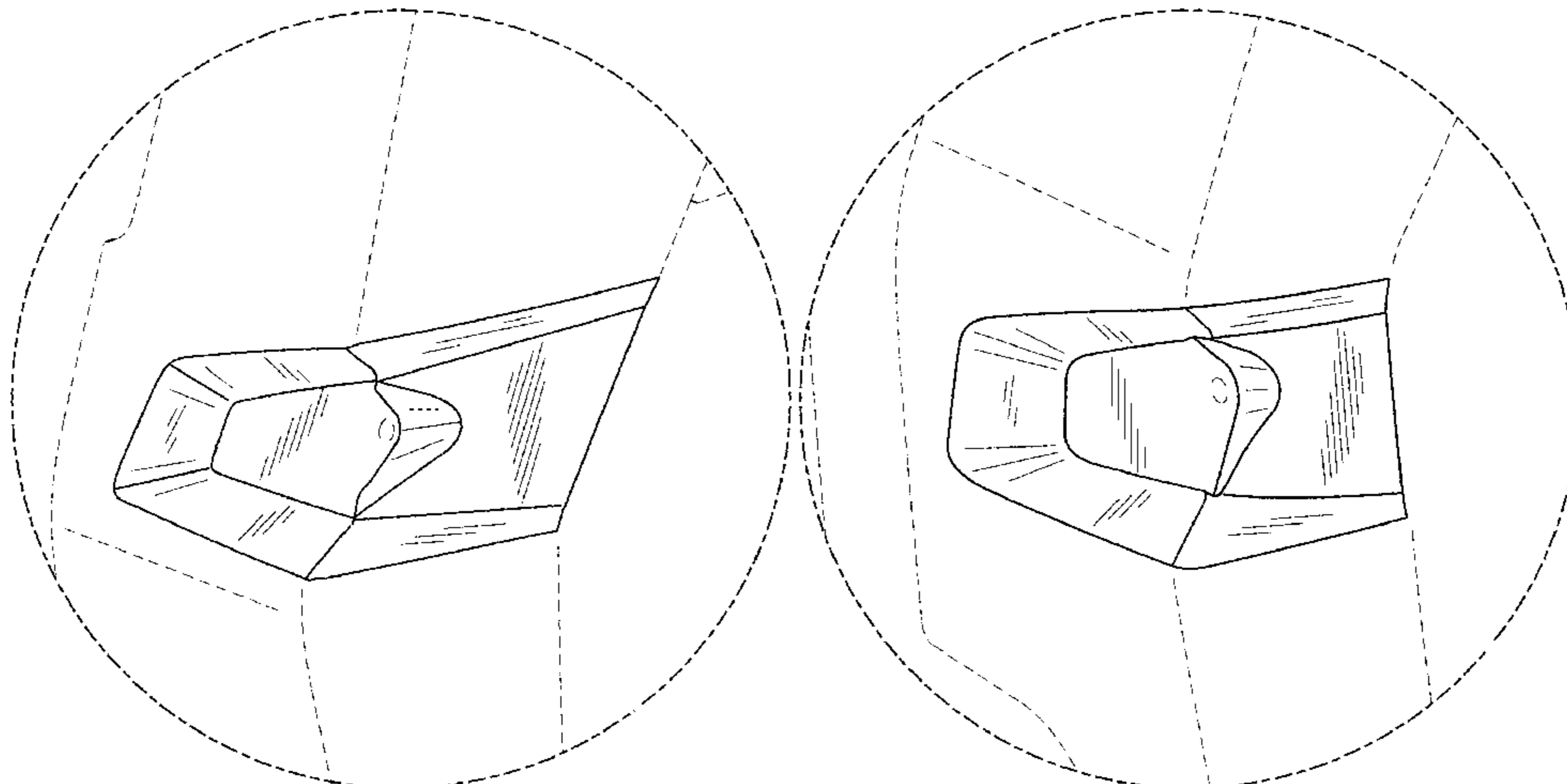
FIG. 14 is a top plan view thereof; FIG. 15 is a bottom plan view thereof; FIG. 16 is an enlarged perspective view thereof taken along arc 16-16 in FIG. 9;

FIG. 17 is a top, front, right side perspective view of a baler light, showing a third embodiment of my new design; FIG. 18 is a right side elevation view thereof; FIG. 19 is a left side elevation view thereof; FIG. 20 is a front elevation view thereof; and FIG. 21 is a rear elevation view thereof.

FIG. 22 is a top plan view thereof; FIG. 23 is a bottom plan view thereof; and, FIG. 24 is an enlarged perspective view thereof taken along arc 24-24 in FIG. 17.

FIGS. 1-24 show three embodiments of a baler light on the right side of a baler. Three additional embodiments are mirror images of the first three embodiments, with a baler light on the left side of the baler.

(Continued)



The broken lines depict environmental subject matter that forms no part of the claimed design.

1 Claim, 24 Drawing Sheets

(58) Field of Classification Search

CPC F21S 41/00
See application file for complete search history.

(56) References Cited

U.S. PATENT DOCUMENTS

D238,501 S	1/1976	Gaeddert et al.	
D242,572 S	11/1976	Grist et al.	
D268,678 S	4/1983	Swenson et al.	
5,131,214 A	7/1992	Vermeer	
5,138,942 A	8/1992	Henderson et al.	
5,231,828 A	8/1993	Swearingen et al.	
D412,507 S	8/1999	Underhill et al.	
6,857,251 B2	2/2005	McClure et al.	
D583,968 S *	12/2008	Simons	D26/28
D600,253 S	9/2009	Jacobs	
D626,972 S	11/2010	Hoover et al.	
D680,910 S *	4/2013	David	D12/92
D694,439 S *	11/2013	Davis	D26/28
D702,263 S	4/2014	Jacobsthal et al.	
D704,872 S *	5/2014	Binder	D26/28
D720,874 S *	1/2015	Jackson	D15/28
D739,306 S *	9/2015	McMahan	D12/98

D770,646 S *	11/2016	Stopka	D26/28
D772,955 S *	11/2016	Harms	D15/28
D796,558 S	9/2017	Johnson et al.	
D797,158 S	9/2017	Johnson et al.	
D798,480 S *	9/2017	Ryu	D26/28
D818,156 S *	5/2018	Kim	D26/28
D823,502 S *	7/2018	Gueler	D26/28
D825,618 S	8/2018	Zabe et al.	
D835,683 S *	12/2018	Zabe	D15/28
D835,684 S *	12/2018	Zabe	D15/28
D836,679 S *	12/2018	Zabe	D15/28
D844,677 S *	4/2019	Ulmefors	D15/28
D846,776 S *	4/2019	MacAndrew	D26/28
2013/0133530 A1	5/2013	Roberge et al.	
2015/0195994 A1	7/2015	Ostermann et al.	

OTHER PUBLICATIONS

“Flickr—Jan Rijpma Dronten.” Found online Jul. 16, 2019 at www.flickr.com. Page dated May 31, 2018. Retrieved from URL: https://www.flickr.com/photos/jan_rijpma/41598893795/in/photostream/ (Year: 2018).*

“YouTube—John Deere V461R Baler Walk Around Video.” Found online Jul. 16, 2019 at www.youtube.com. Video published May 7, 2019. Retrieved from URL: <https://www.youtube.com/watch?v=5At1pkKyuOg> (Year: 2019).*

“2019 John Deere V461 R.” Found online Jul. 16, 2019 at www.americanimplement.com. Page dated 2019. Retrieved from URL: <https://tinyurl.com/y5swywru> (Year: 2019).*

* cited by examiner

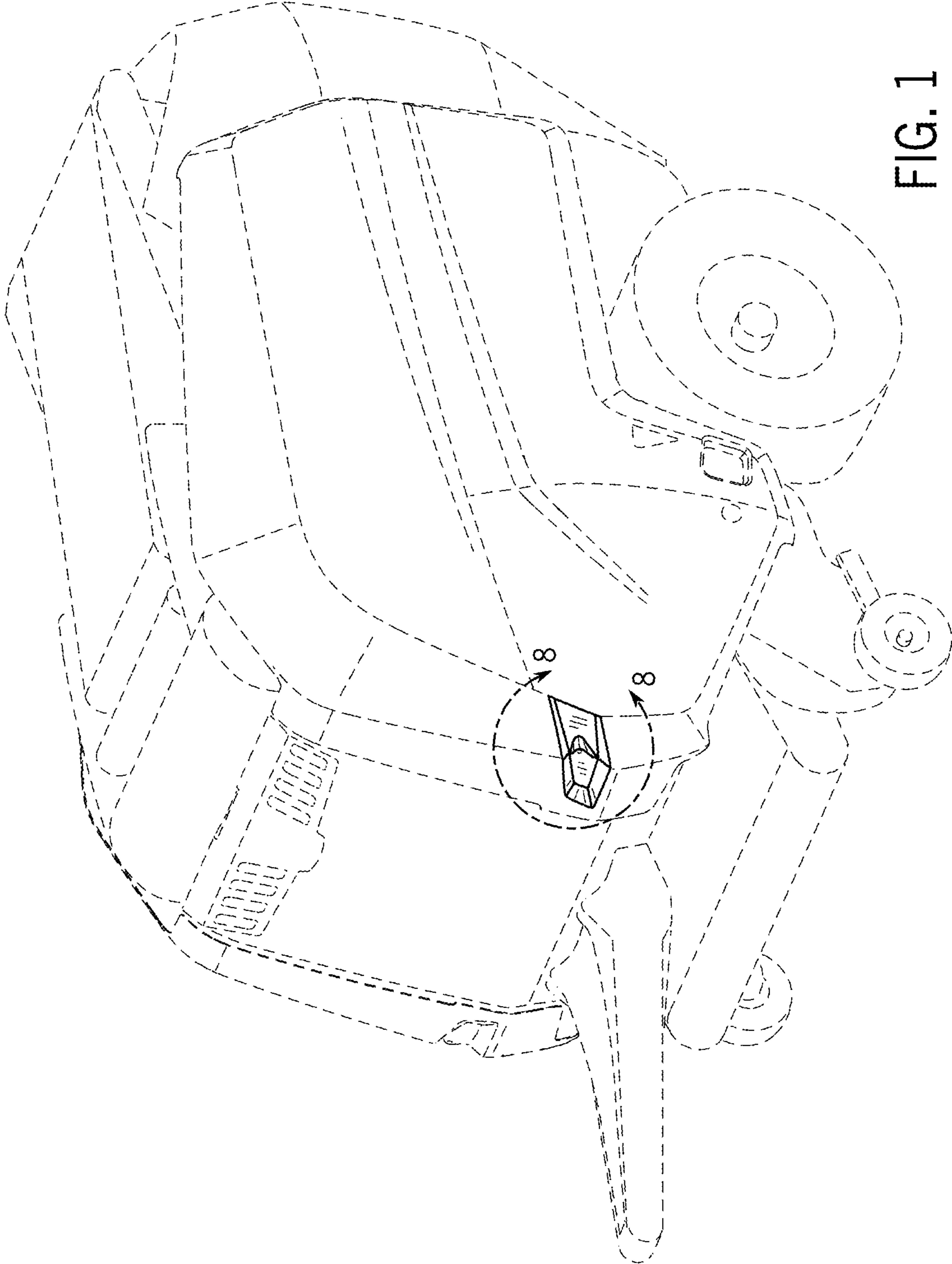


FIG. 1

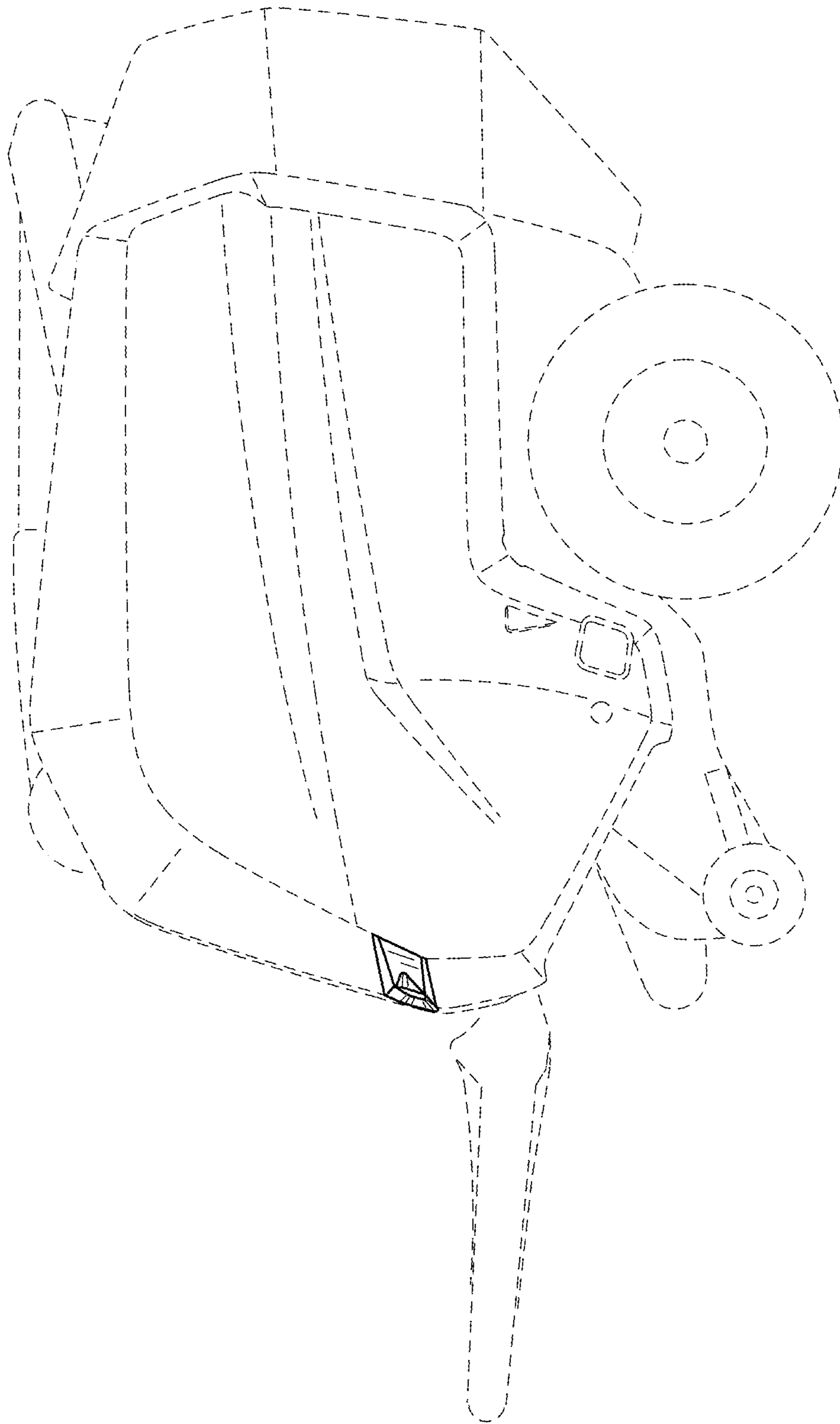


FIG. 2

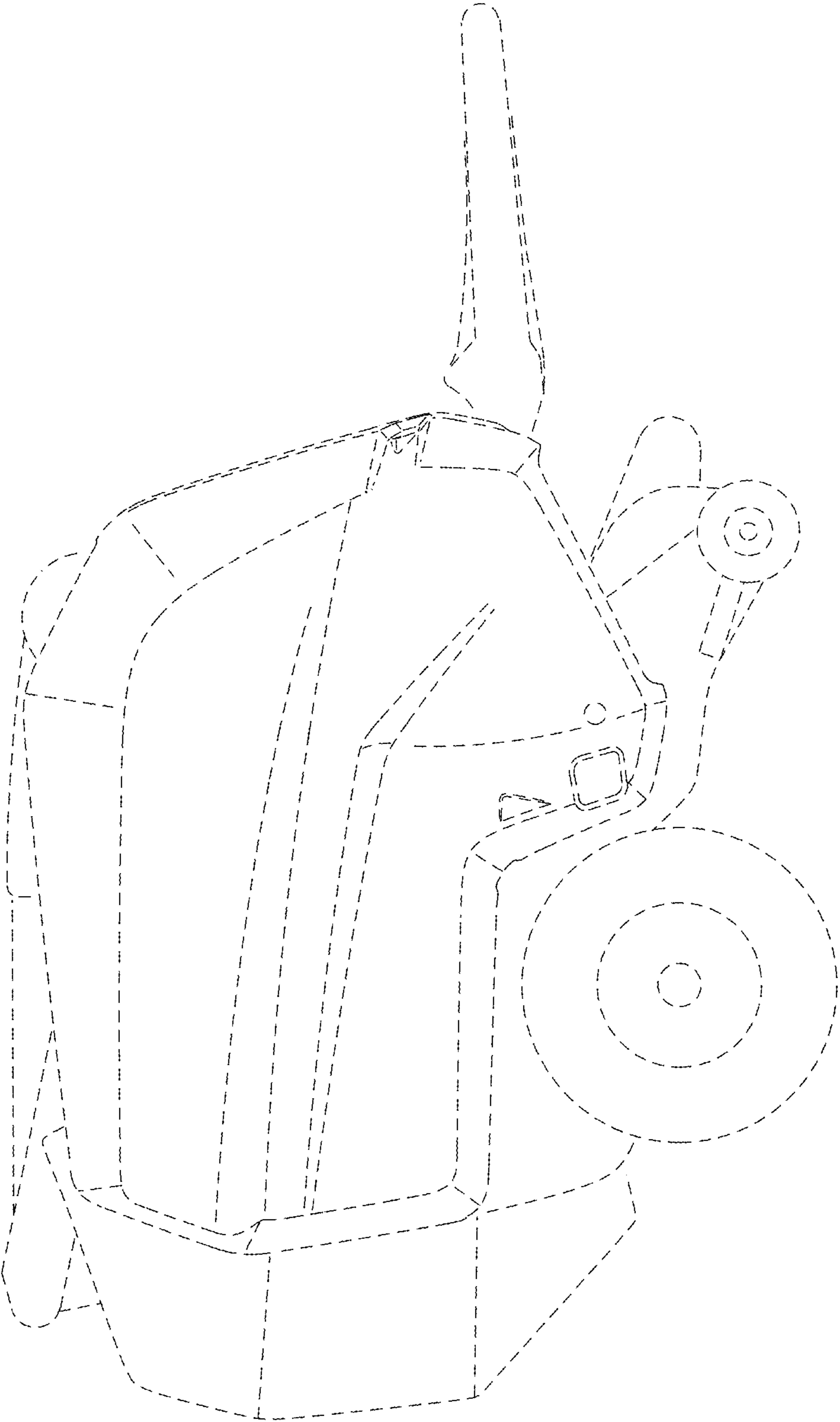


FIG. 3

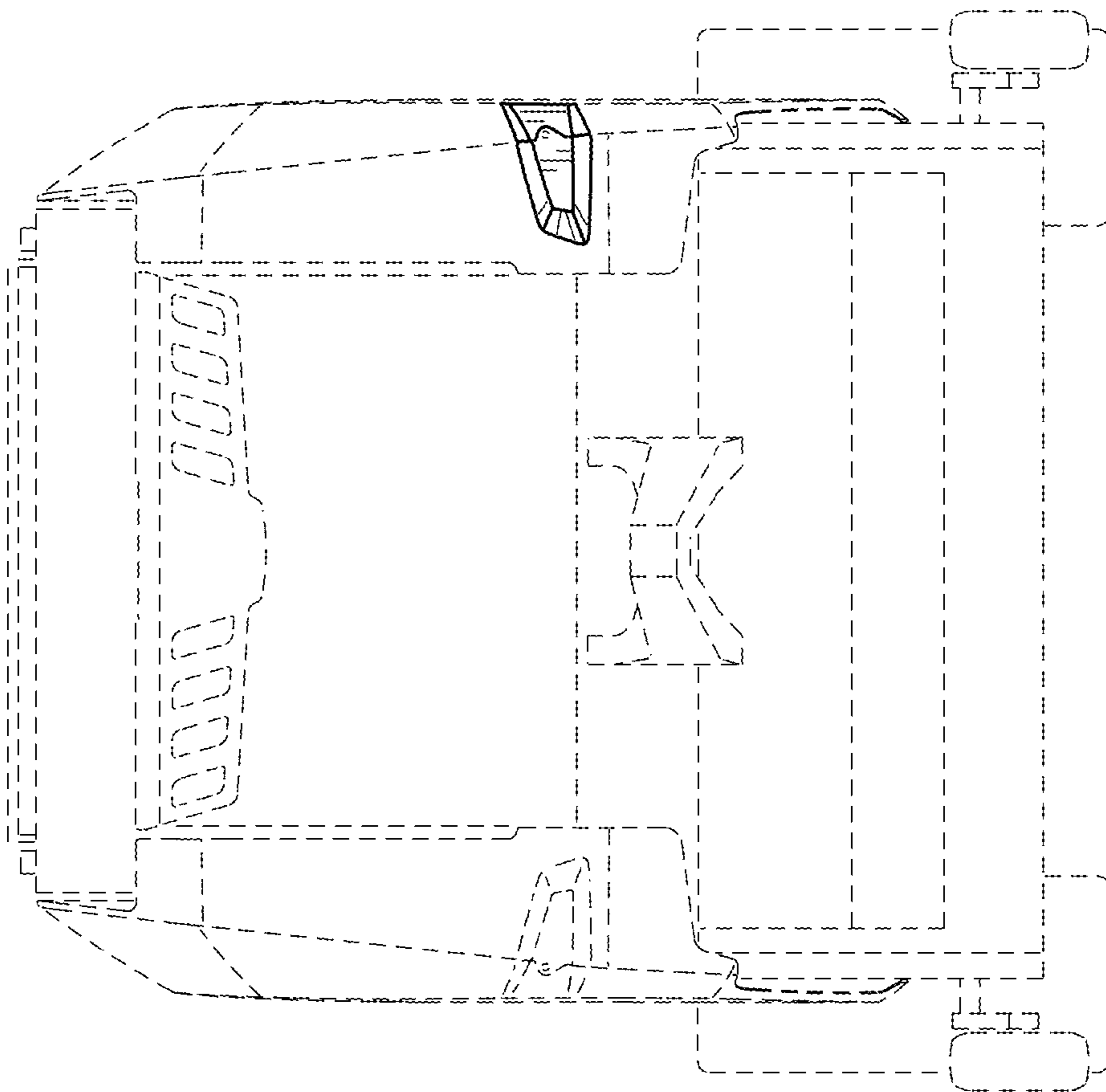


FIG. 4

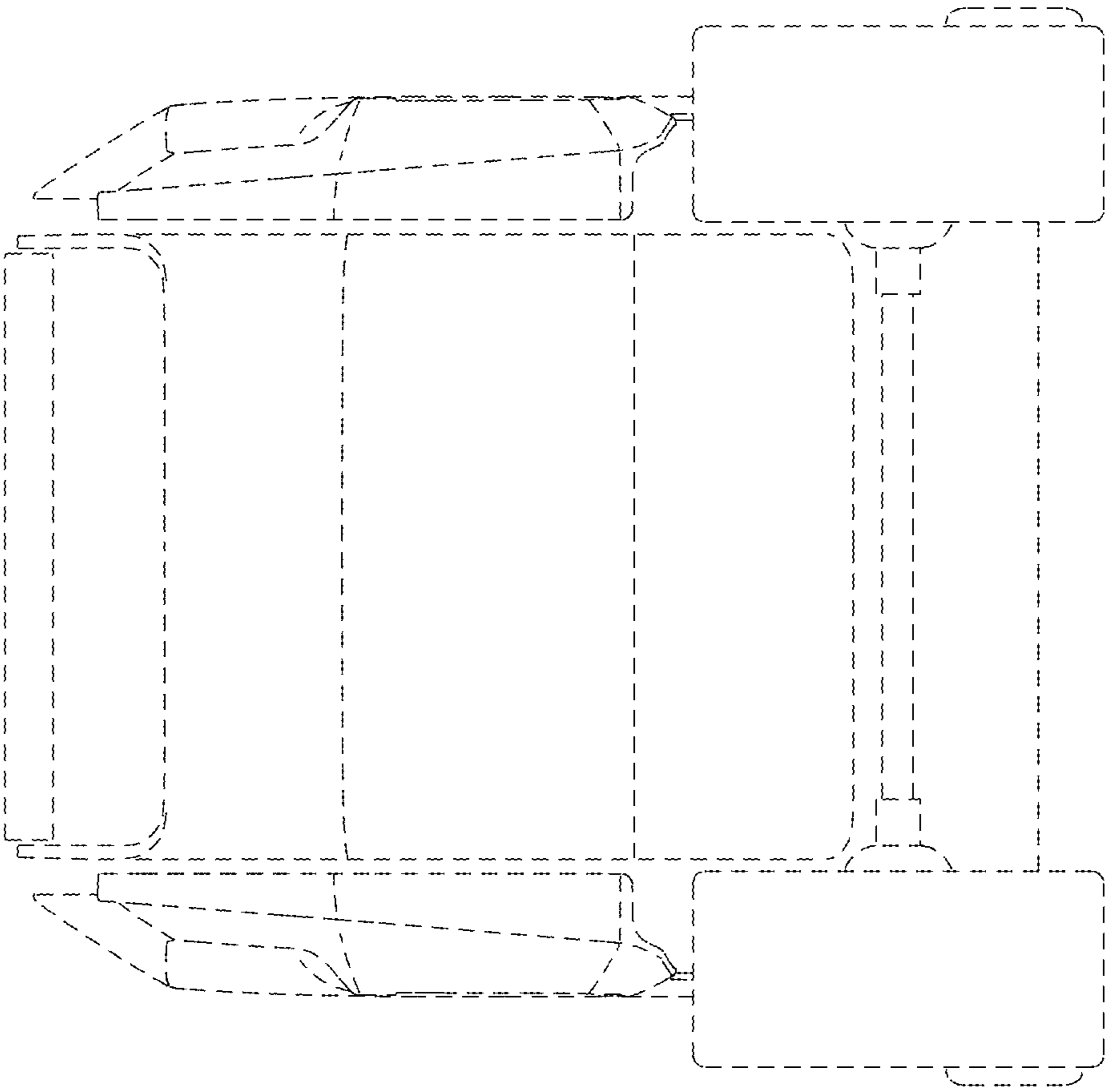


FIG. 5

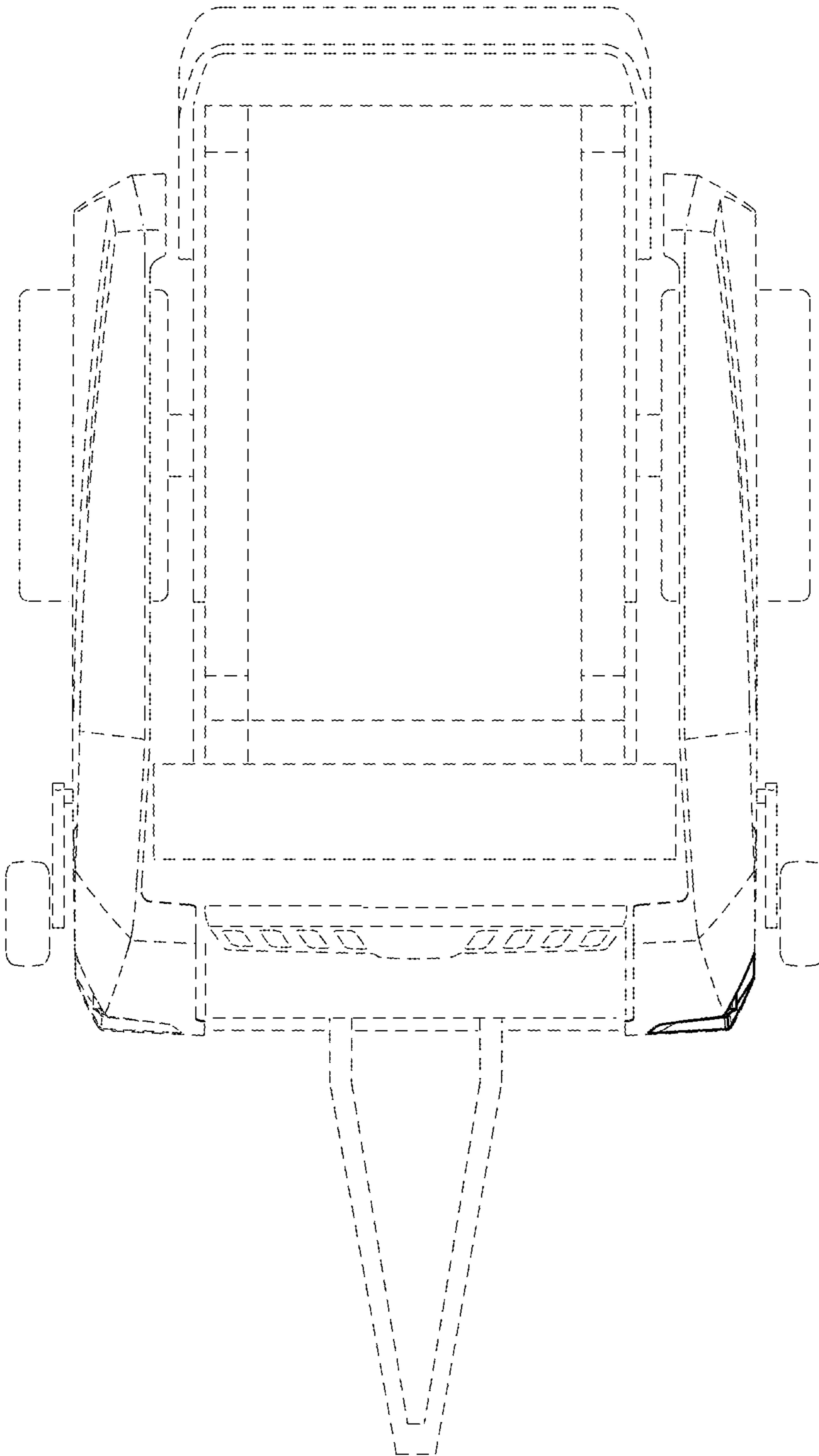


FIG. 6

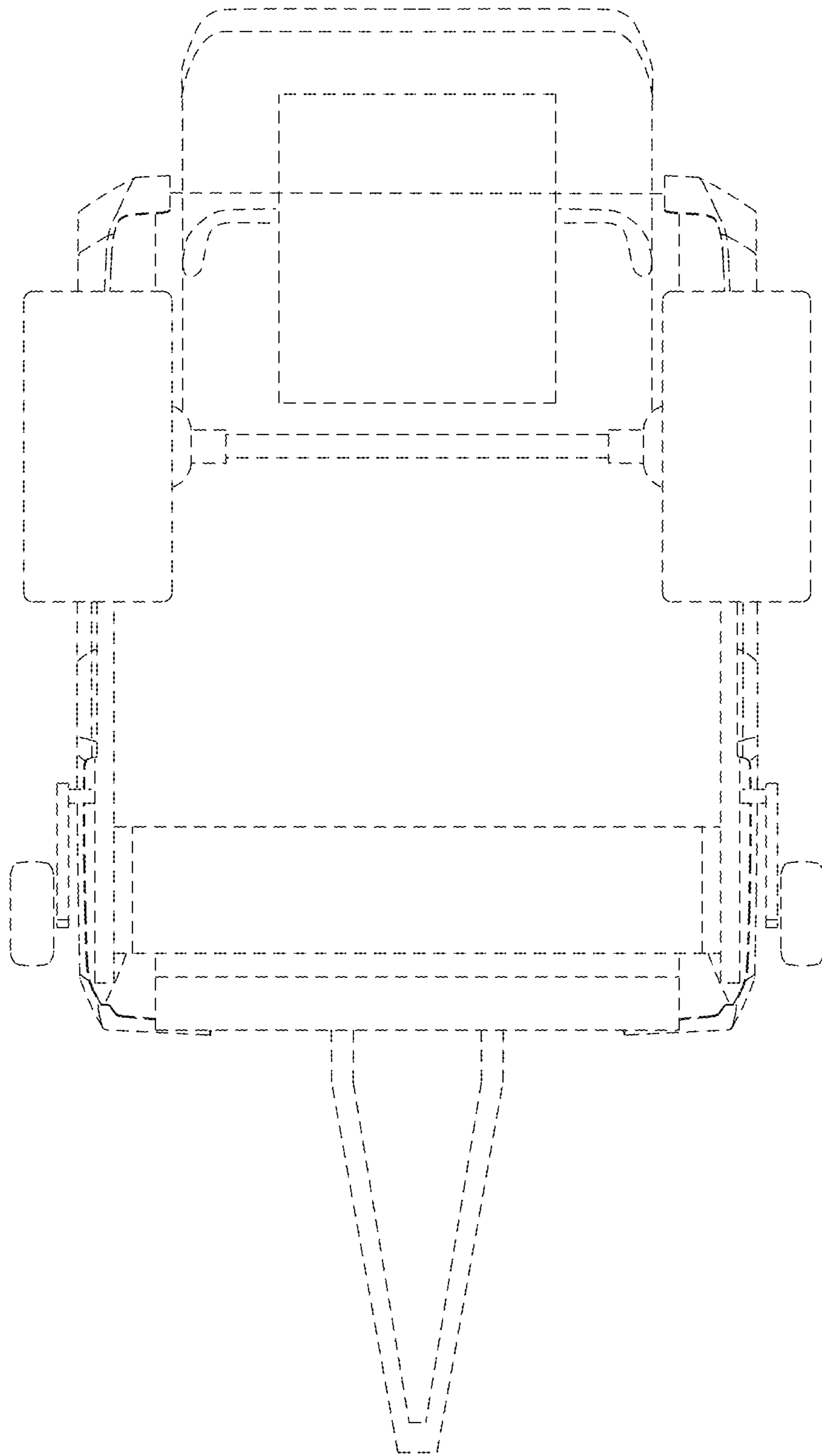


FIG. 7

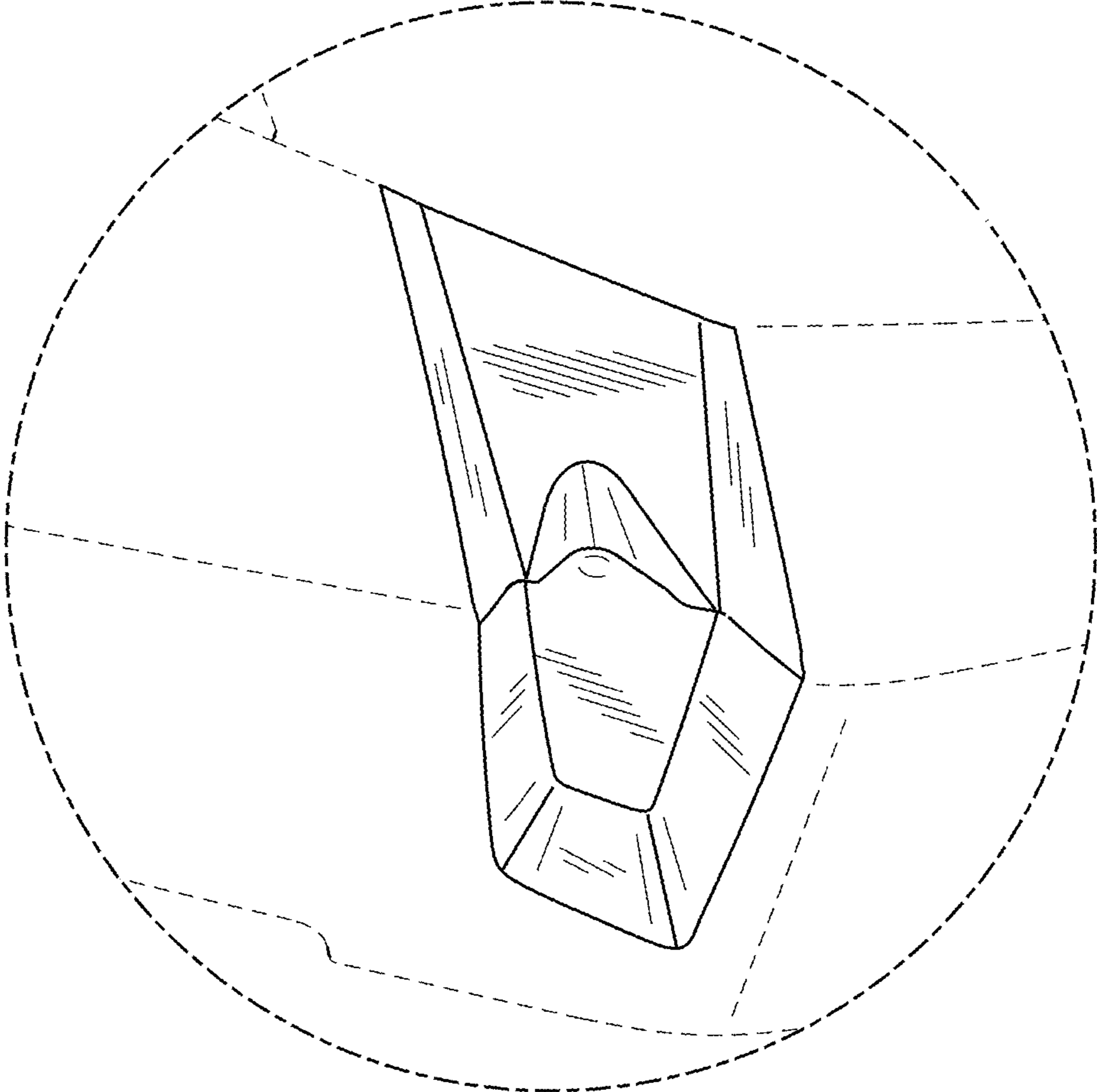


FIG. 8

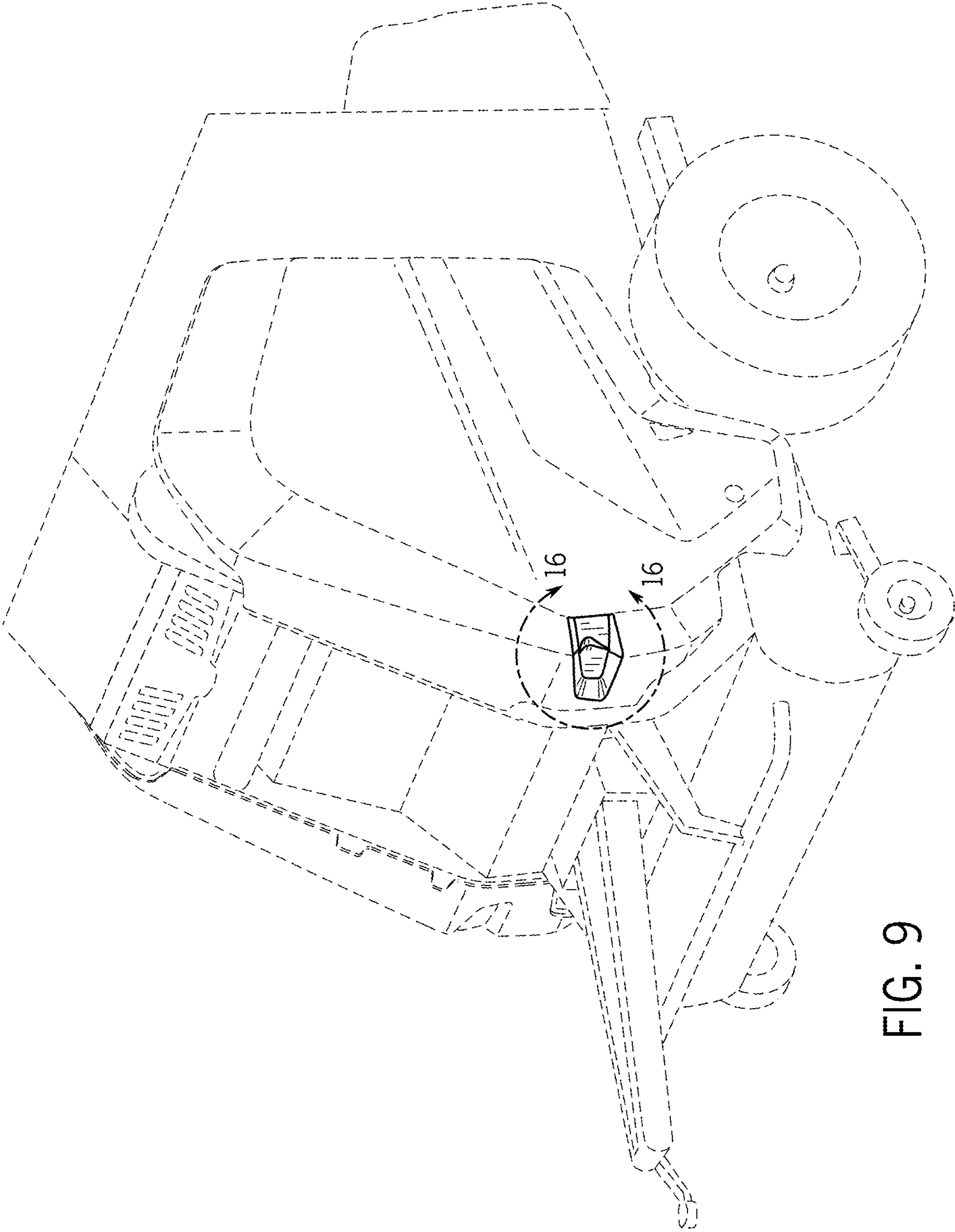


FIG. 9

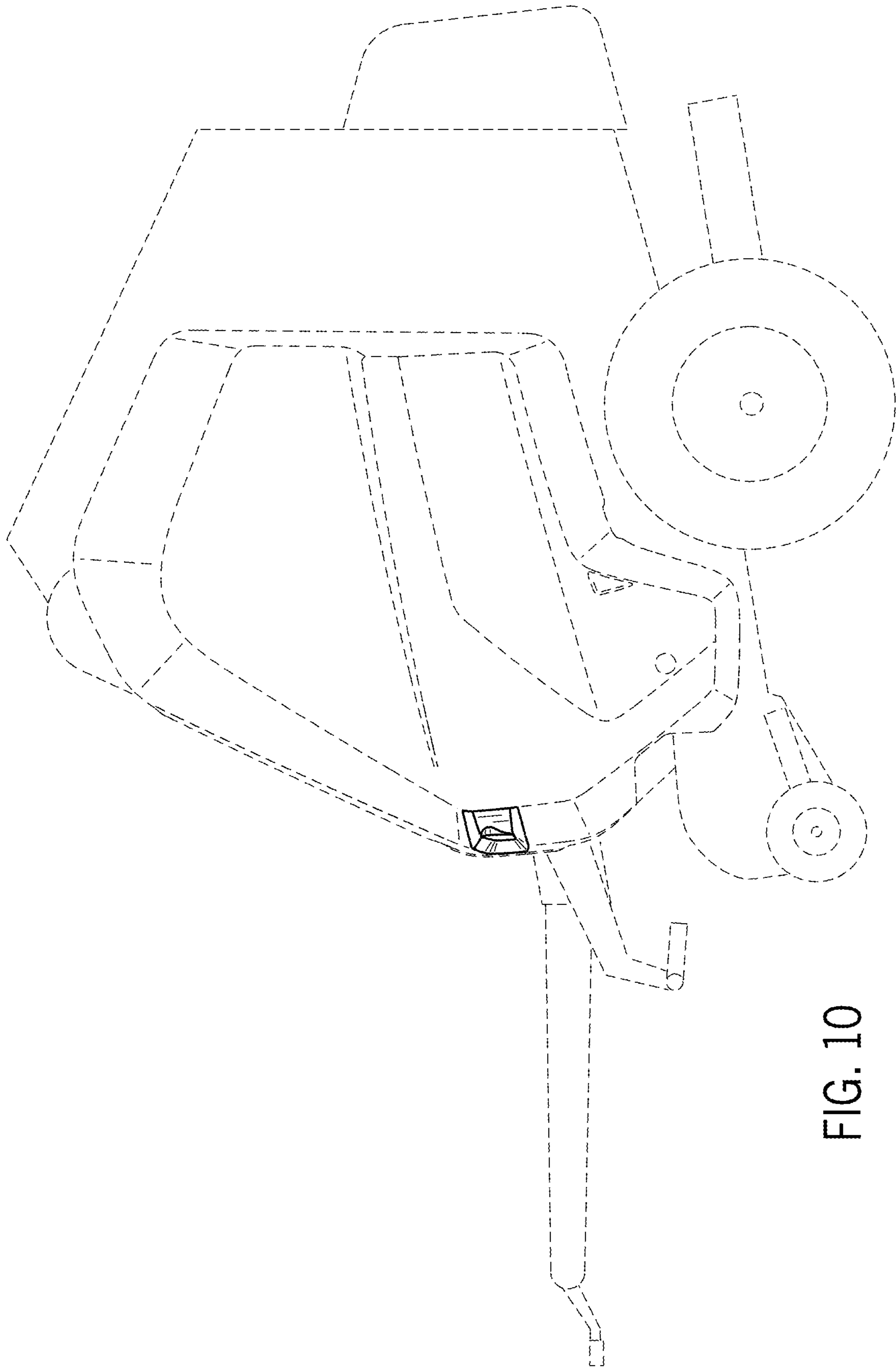


FIG. 10

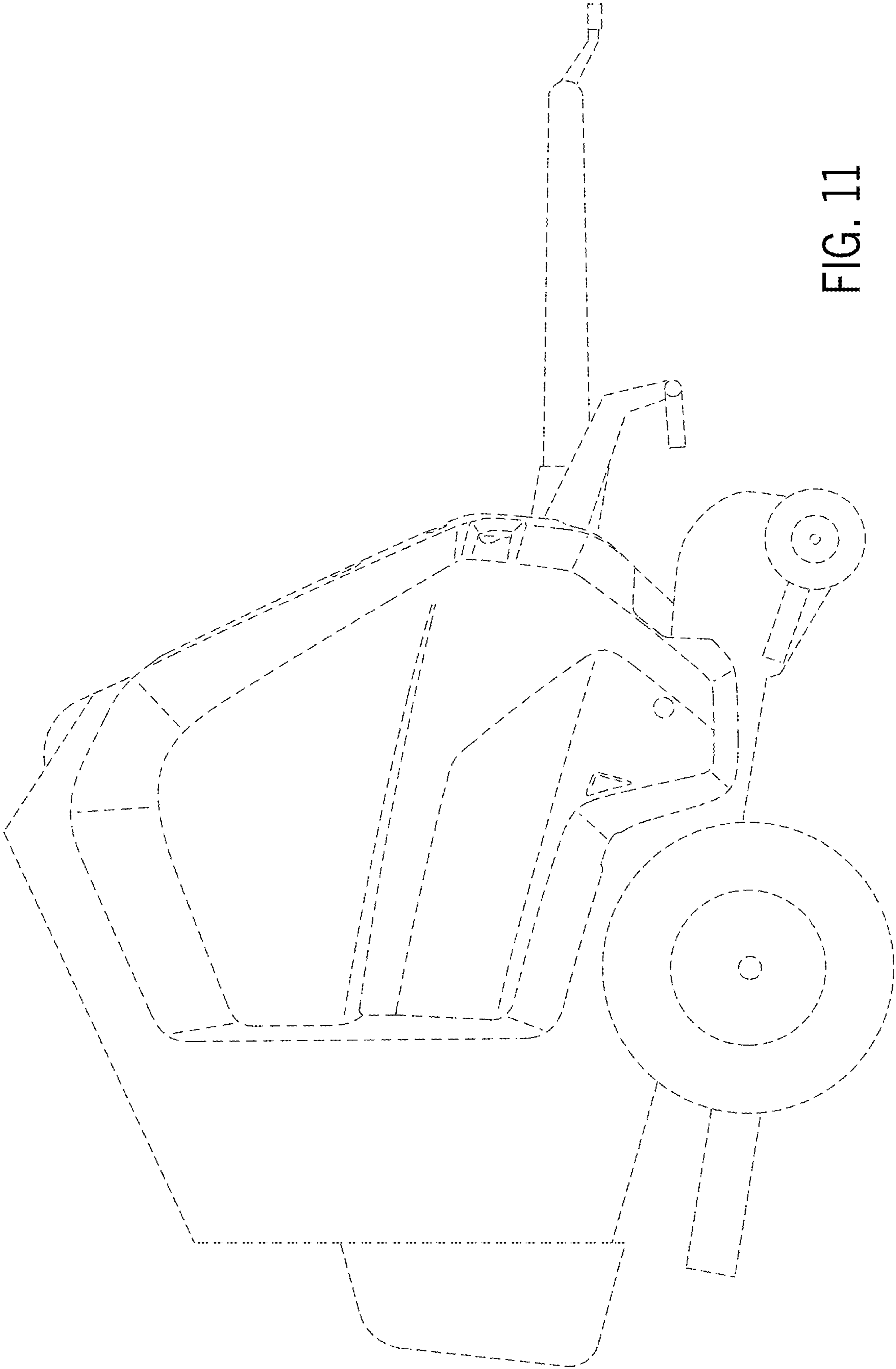


FIG. 11

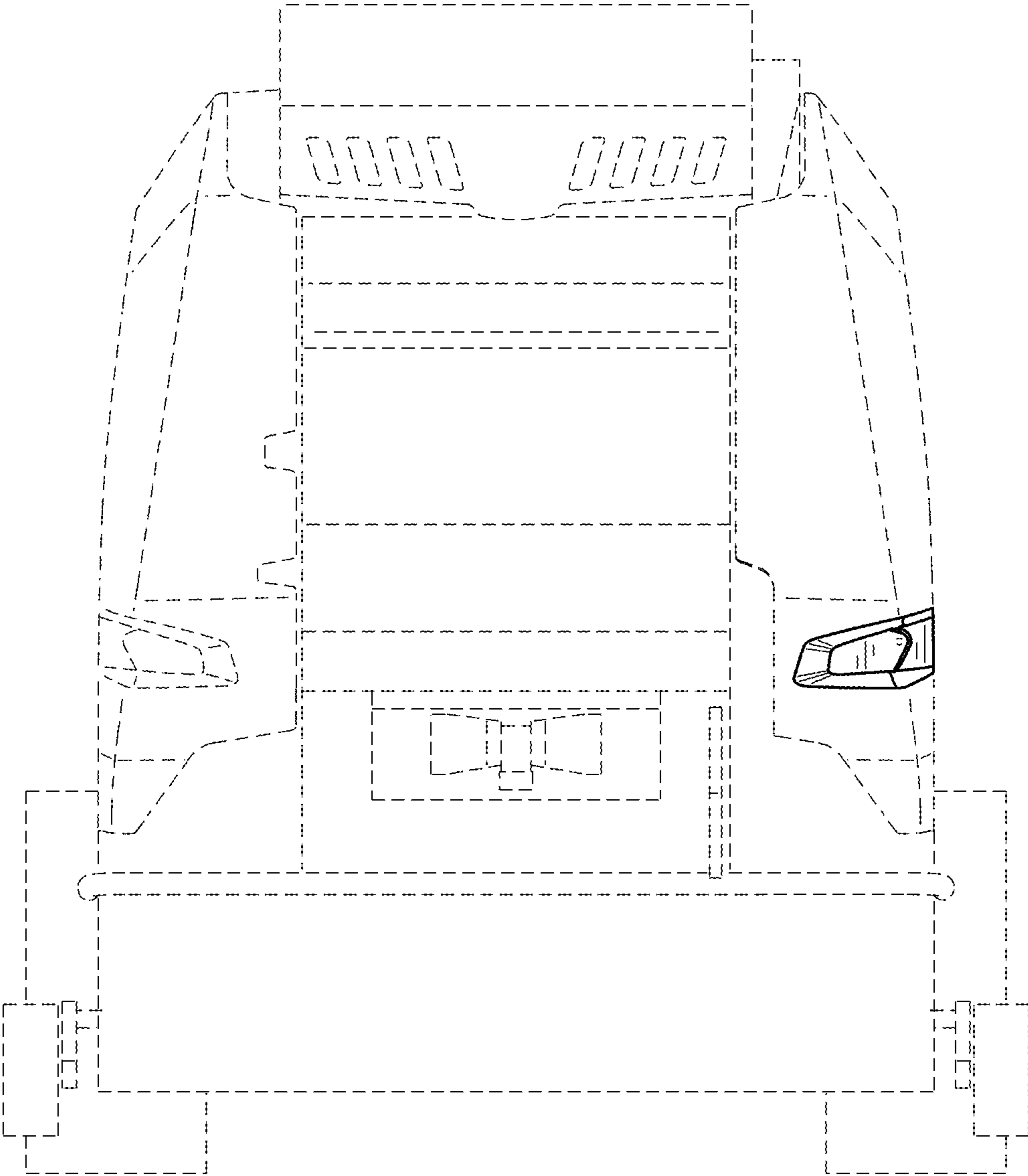


FIG. 12

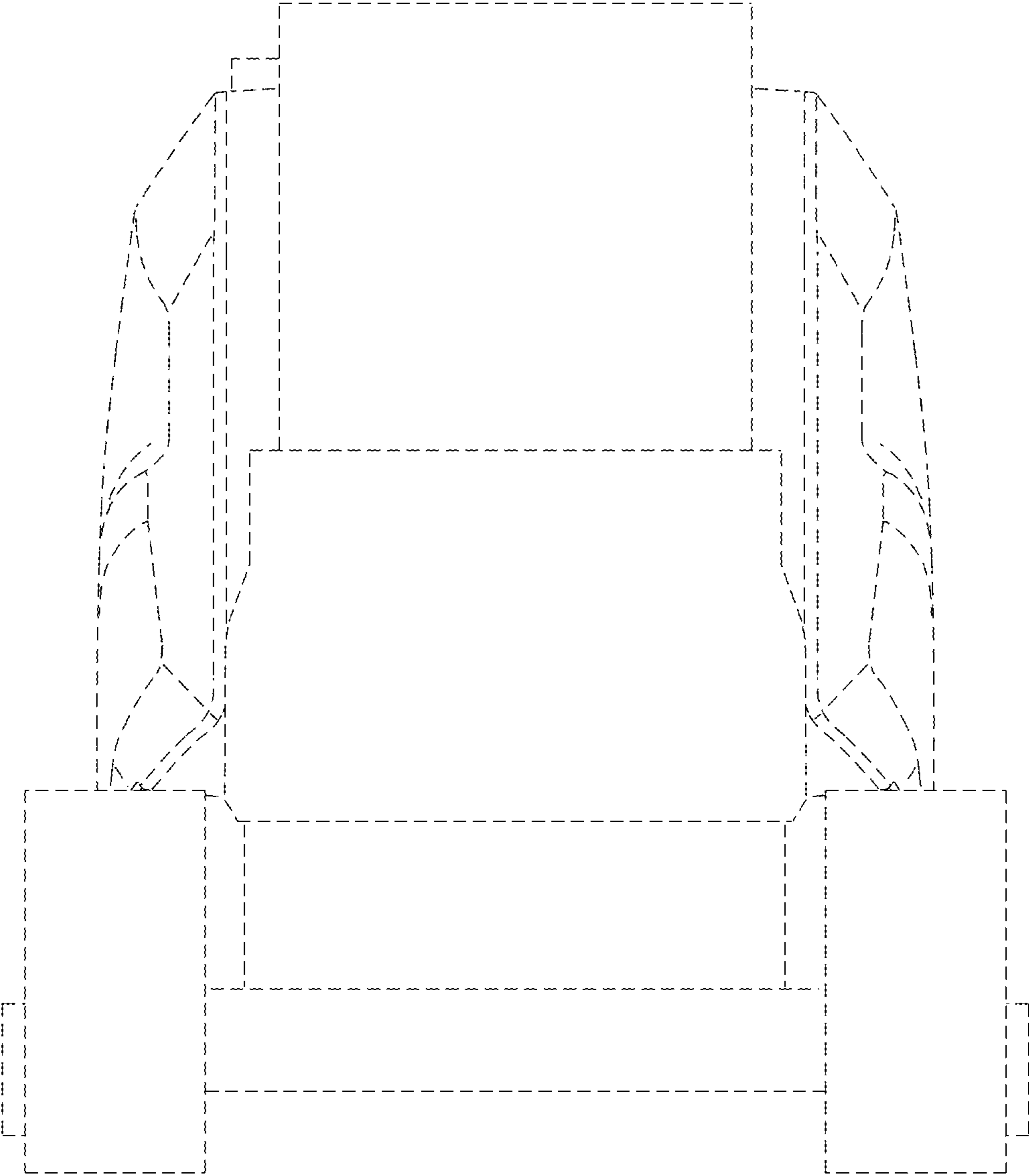


FIG. 13

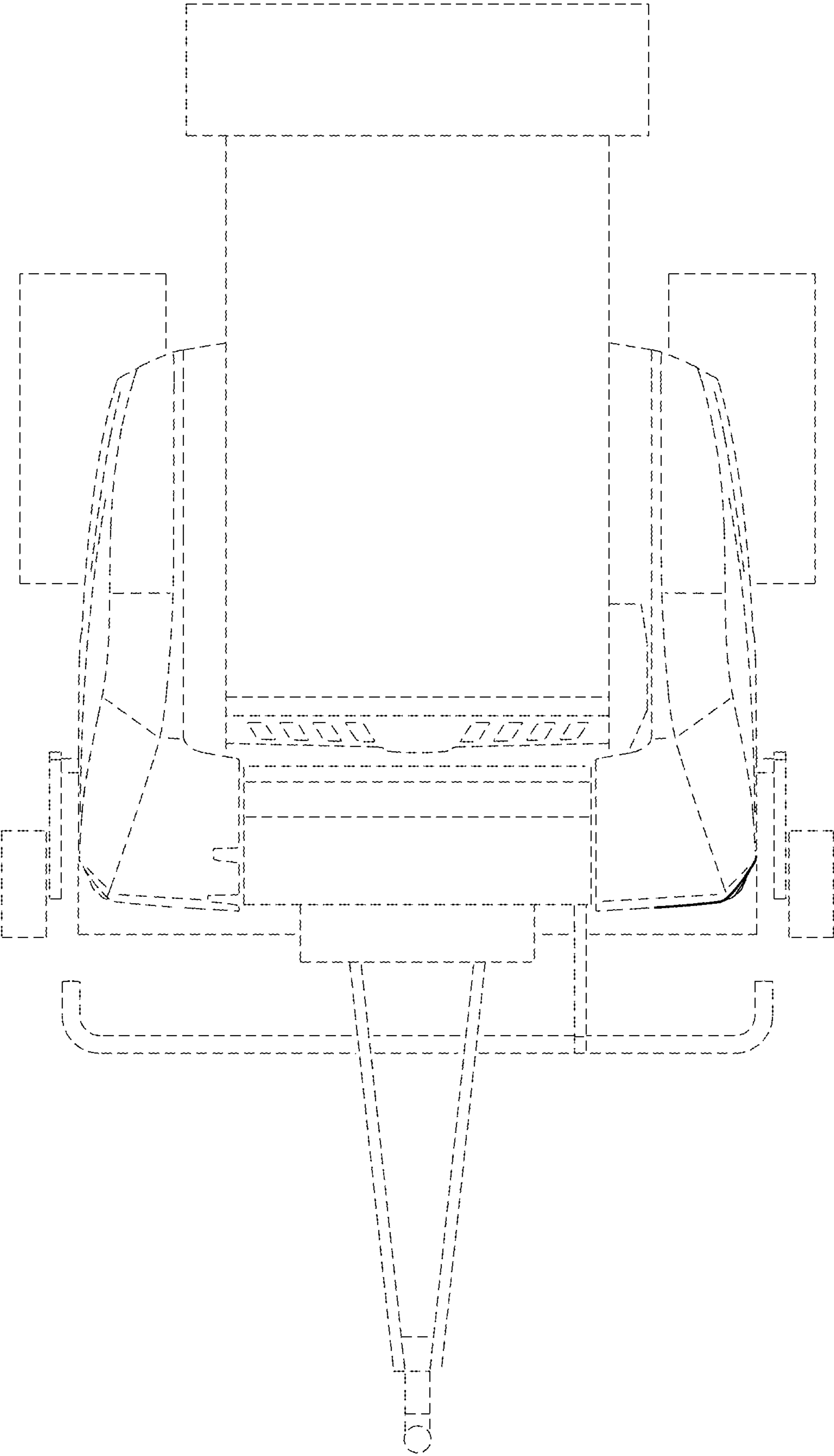


FIG. 14

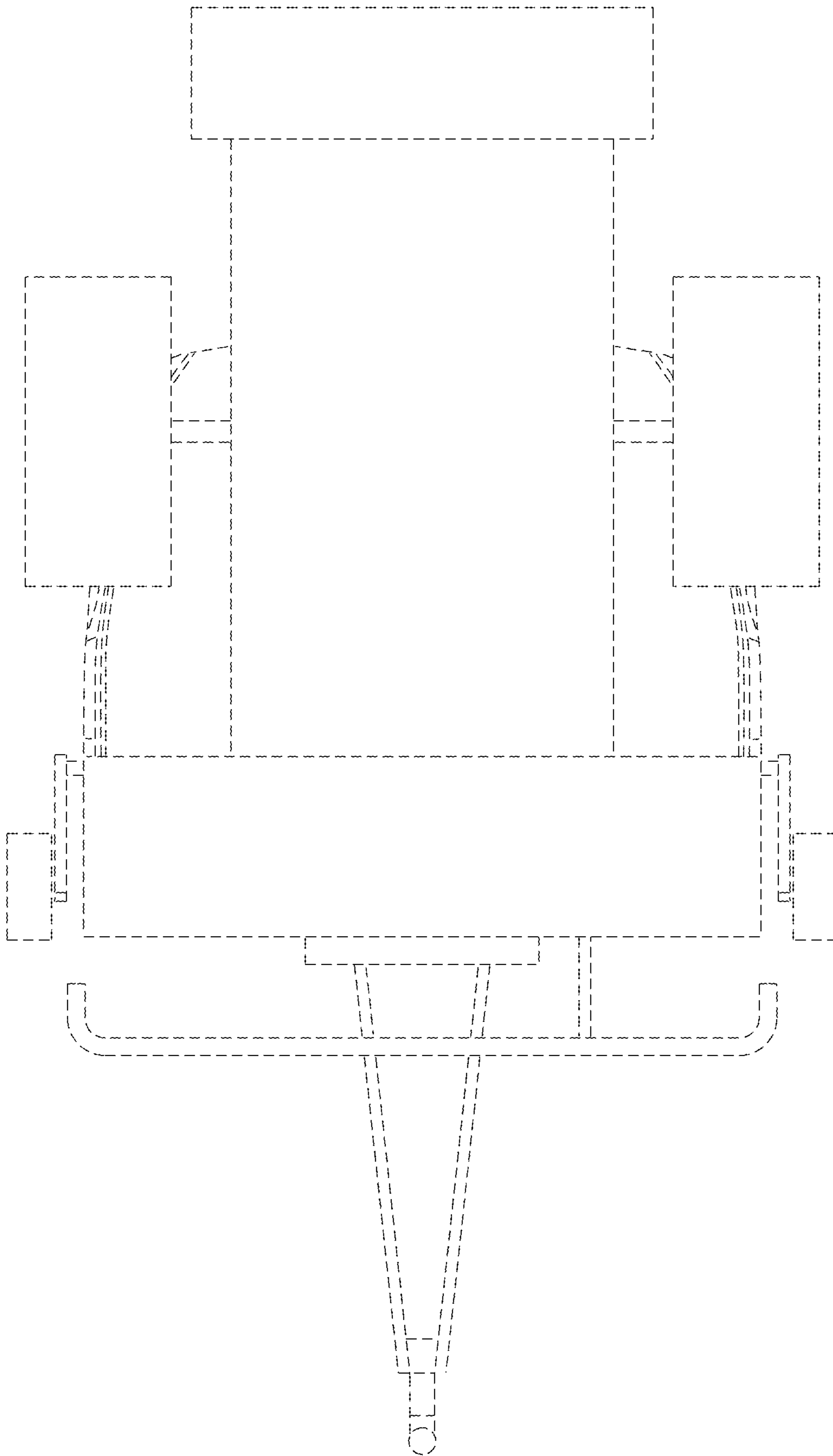


FIG. 15

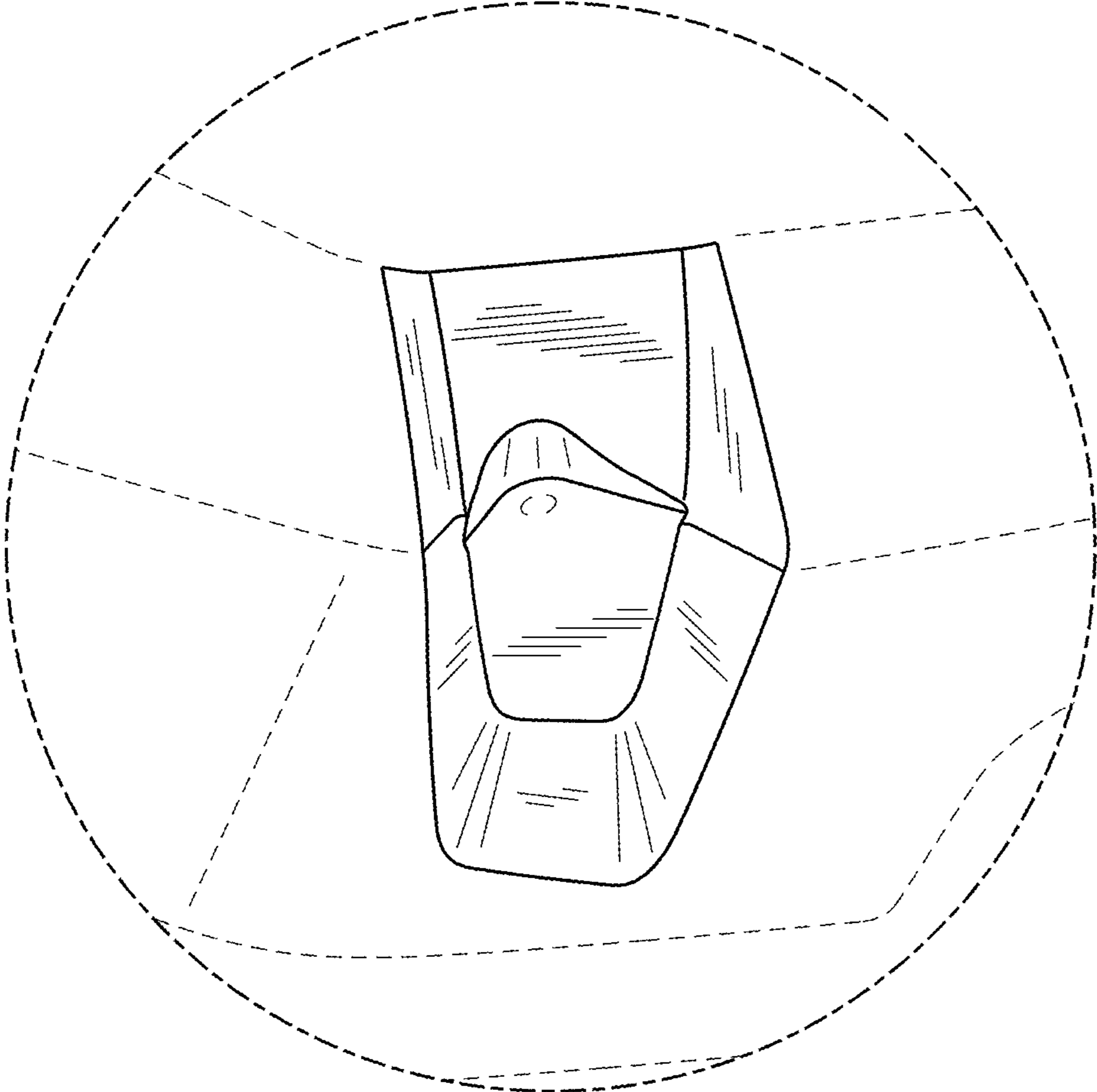


FIG. 16

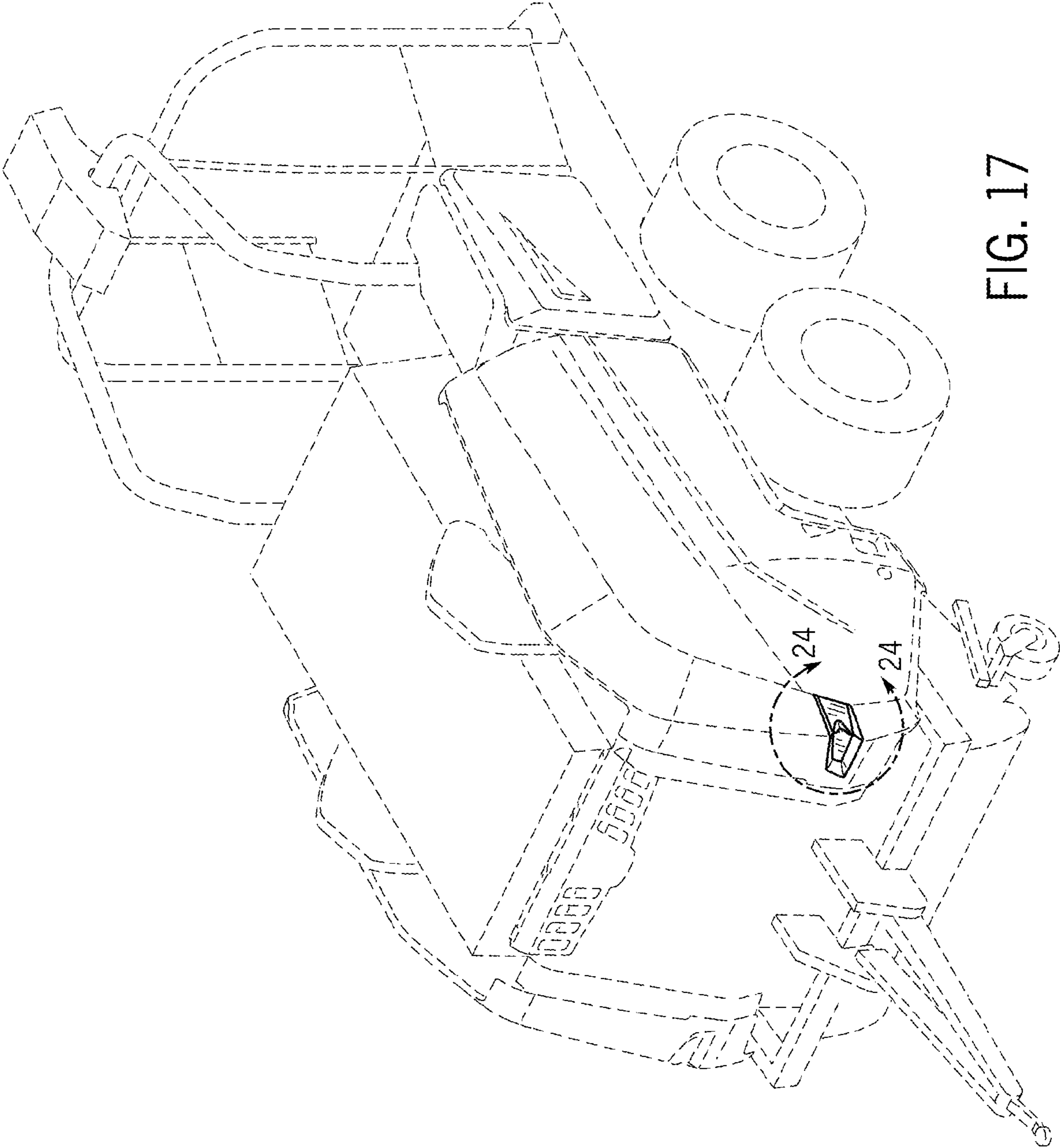


FIG. 17

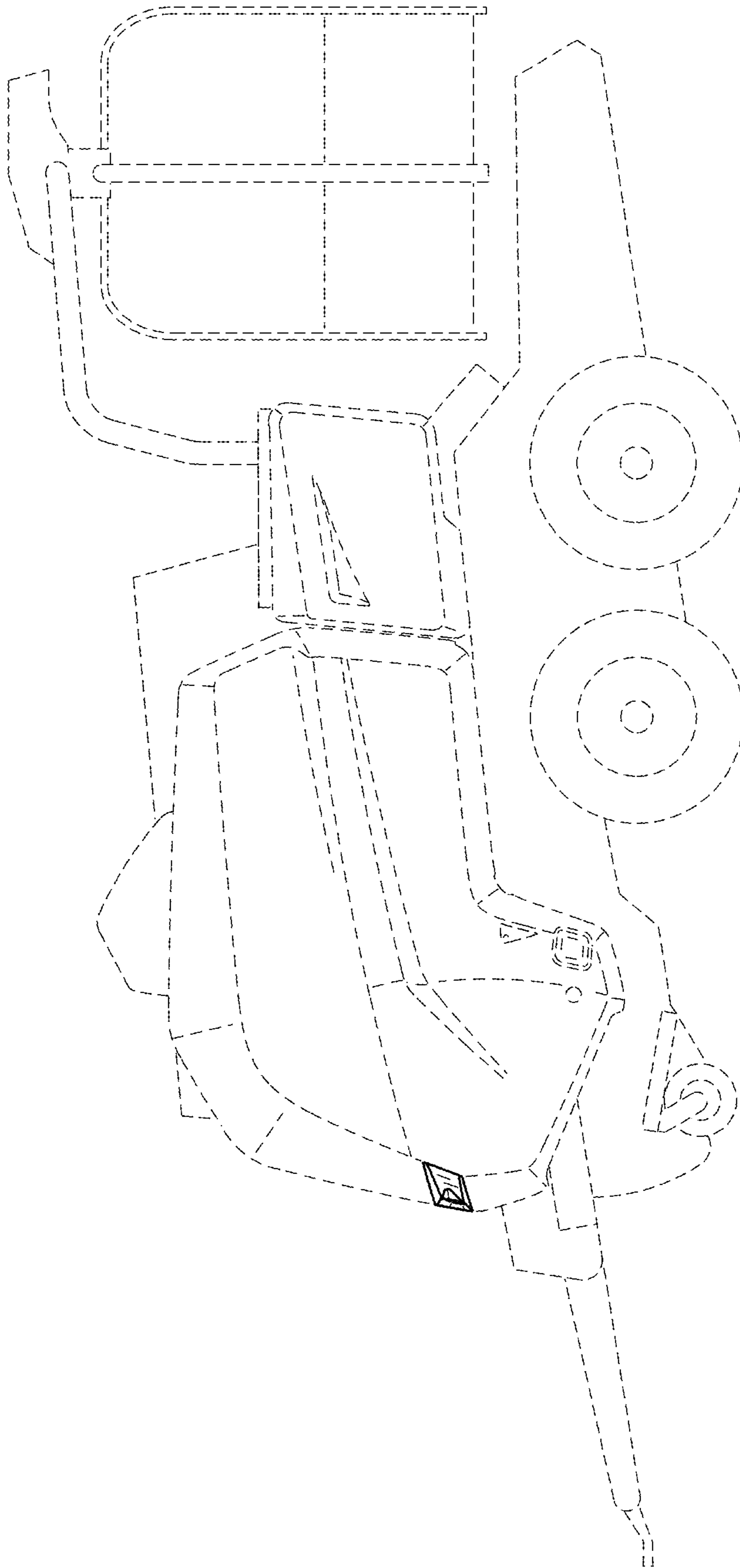


FIG. 18

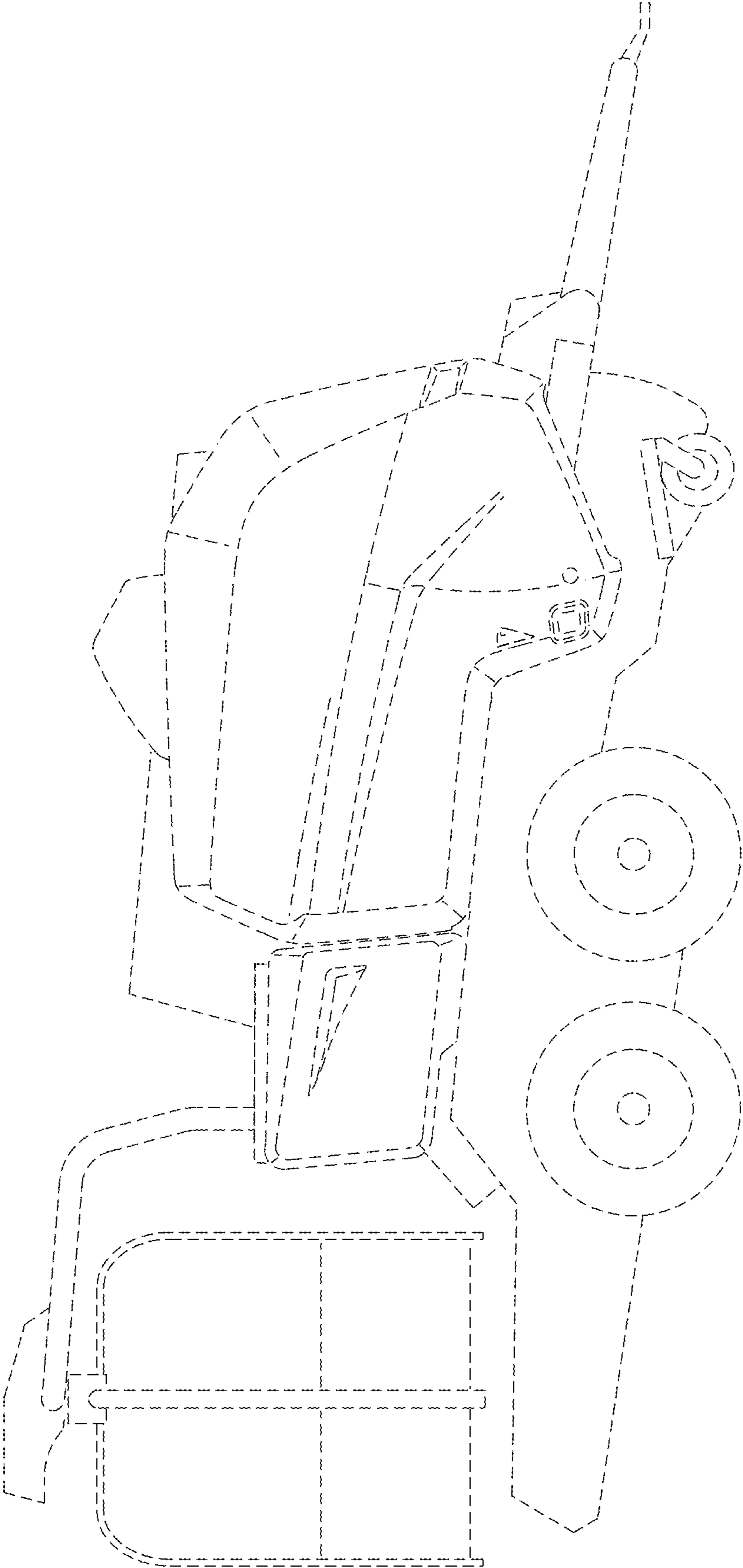


FIG. 19

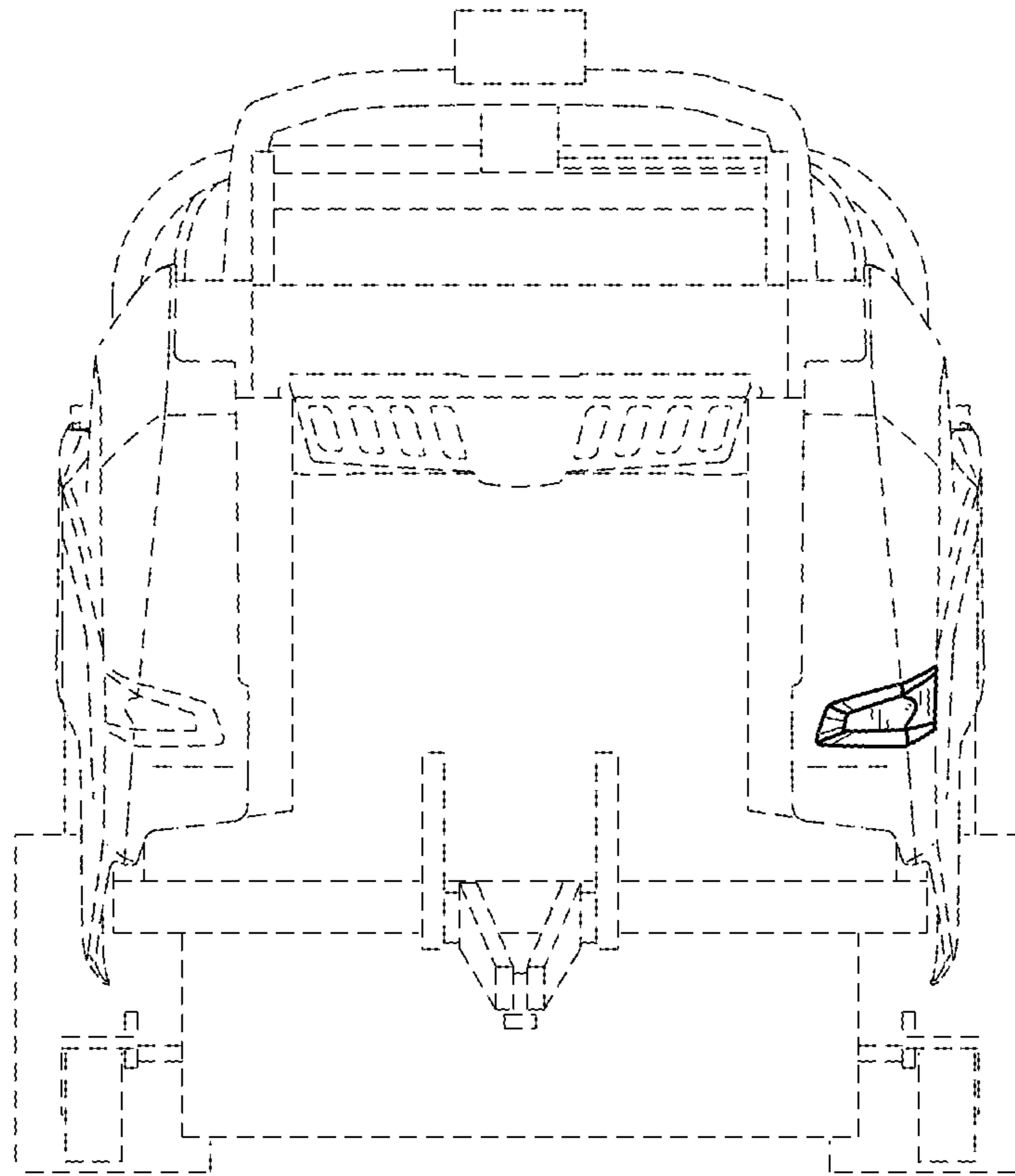


FIG. 20

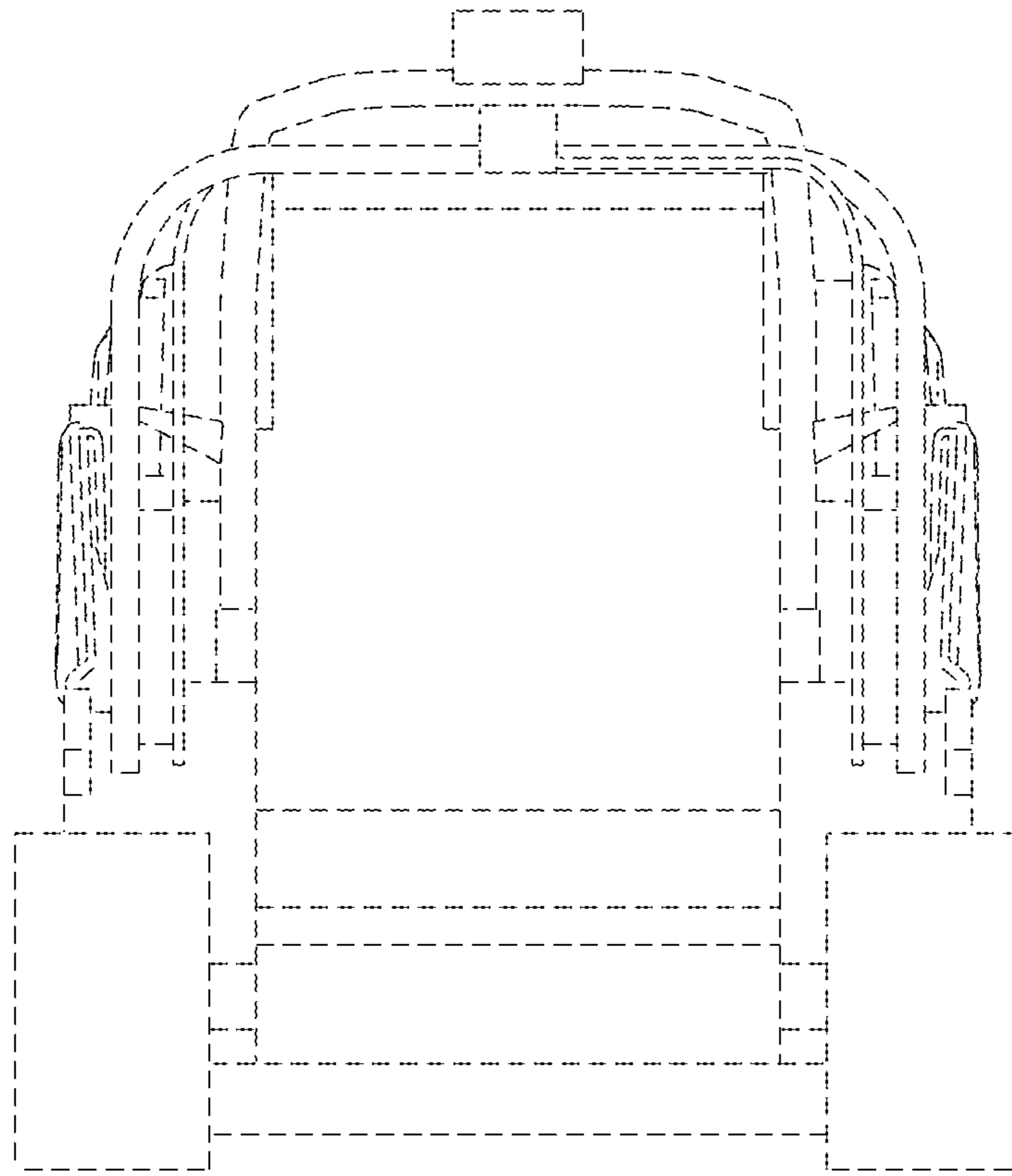


FIG. 21

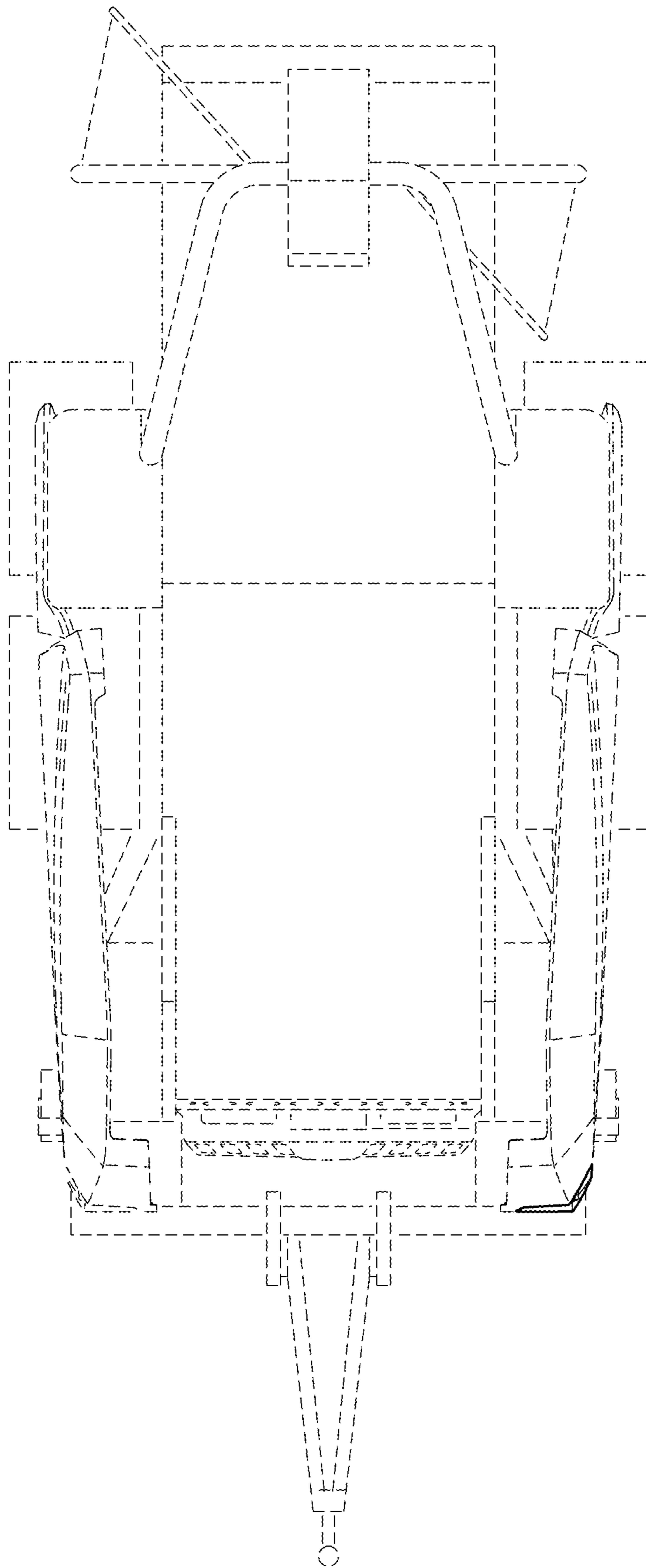


FIG. 22

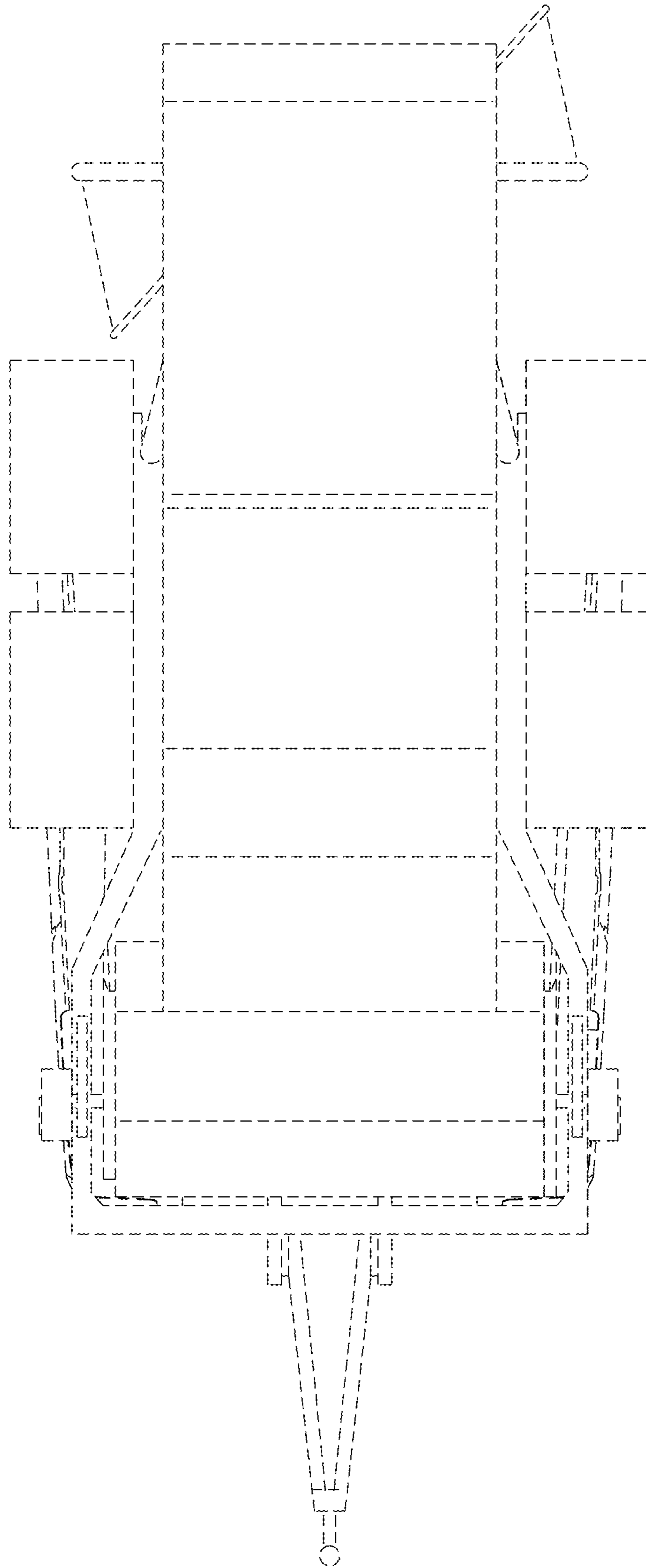


FIG. 23

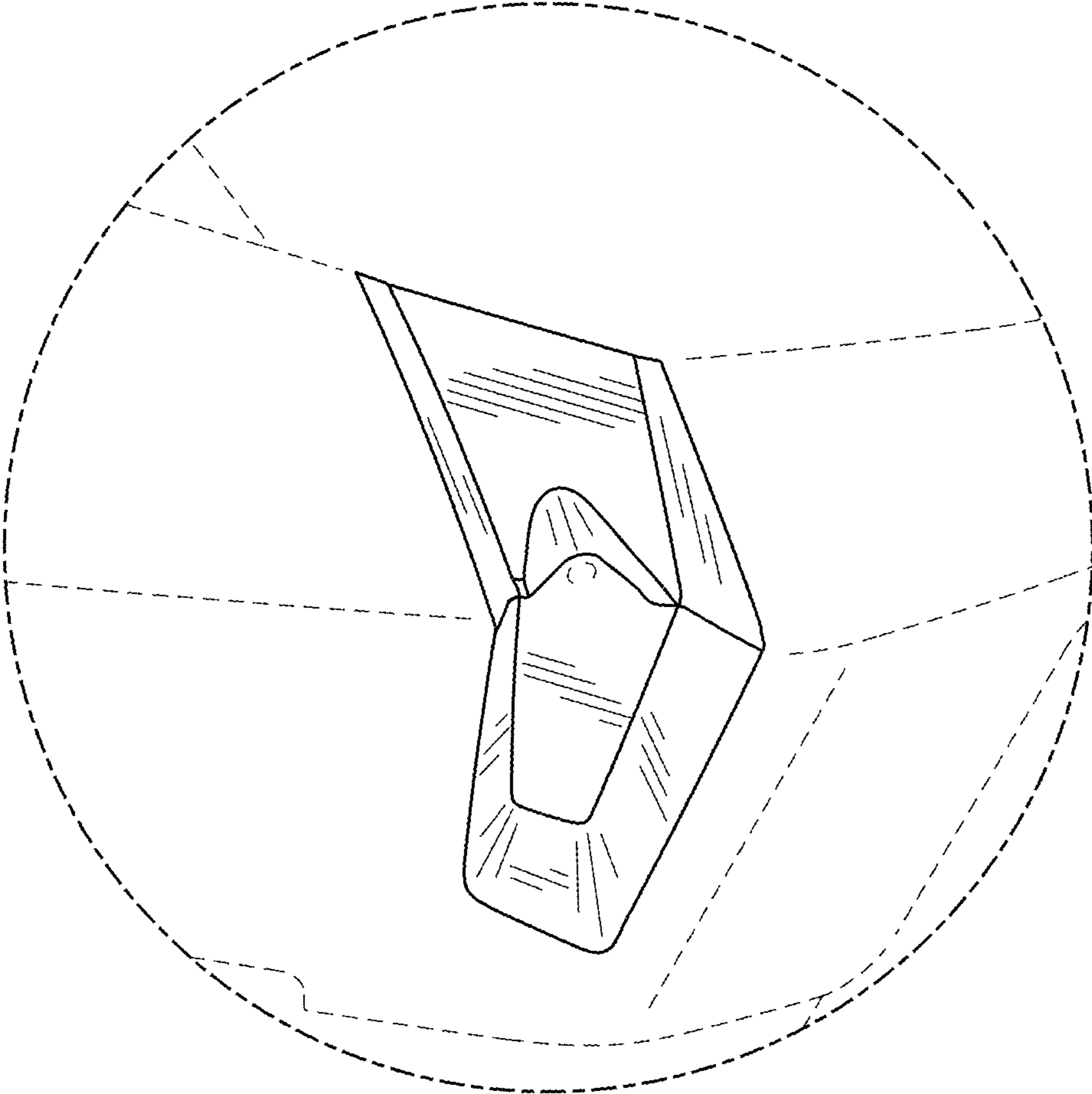


FIG. 24