



US00D878640S

(12) **United States Design Patent** (10) **Patent No.:** **US D878,640 S**  
**Imaishi et al.** (45) **Date of Patent:** **\*\* Mar. 17, 2020**

(54) **PROJECTOR EQUIPMENT ATTACHED TO VEHICLE**

(71) Applicant: **mitsubishi electric CORPORATION**, Tokyo (JP)

(72) Inventors: **Akiko Imaishi**, Tokyo (JP); **Shinsaku Fukutaka**, Tokyo (JP); **Munetaka Nishihira**, Tokyo (JP); **Tsutomu Matsubara**, Tokyo (JP)

(73) Assignee: **Mitsubishi Electric Corporation**, Tokyo (JP)

(\*\*) Term: **15 Years**

(21) Appl. No.: **29/629,006**

(22) Filed: **Dec. 11, 2017**

(30) **Foreign Application Priority Data**

Jun. 12, 2017 (JP) ..... 2017-012466

(51) **LOC (12) Cl.** ..... **26-06**

(52) **U.S. Cl.**  
USPC ..... **D26/28; D26/30**

(58) **Field of Classification Search**  
USPC ... D26/28, 30, 31, 34, 51, 56, 118, 119, 120  
CPC . B60Q 1/24; B60Q 2400/50; B60R 2011/004;  
G01C 21/365; G03B 29/00  
See application file for complete search history.

(56) **References Cited**

**U.S. PATENT DOCUMENTS**

D62,209 S *	4/1923	Miller	.....	D26/30
D74,065 S *	12/1927	Lumley	.....	D26/30
D154,925 S *	8/1949	Ingle	.....	D26/30
7,175,321 B1 *	2/2007	Lopez	.....	B60Q 1/50 296/21
D553,769 S *	10/2007	Morse	.....	D26/30
D661,200 S *	6/2012	Subler	.....	D9/434

(Continued)

**OTHER PUBLICATIONS**

“Mitsubishi Electric System Uses Road-surface Projections.” Found online Jun. 28, 2019 at gb.mitsubishielectric.com. Page dated Oct. 10, 2017. Retrieved from URL: <http://gb.mitsubishielectric.com/en/news-events/releases/global/2017/1010-a/index.page> (Year: 2017).\*

(Continued)

*Primary Examiner* — Mary Ann Calabrese

*Assistant Examiner* — Katelin G Kloberg

(74) *Attorney, Agent, or Firm* — Stuebaker & Brackett PC

(57) **CLAIM**

The ornamental design for a projector equipment attached to vehicle, as shown and described.

**DESCRIPTION**

FIG. 1 is a front perspective view of the front, left, and top sides of a projector equipment attached to vehicle showing our new design;

FIG. 2 is a front view thereof;

FIG. 3 is a rear view thereof;

FIG. 4 is a right side view thereof, the left side view being a mirror image thereof;

FIG. 5 is a top plan view thereof, the bottom view being a mirror image thereof;

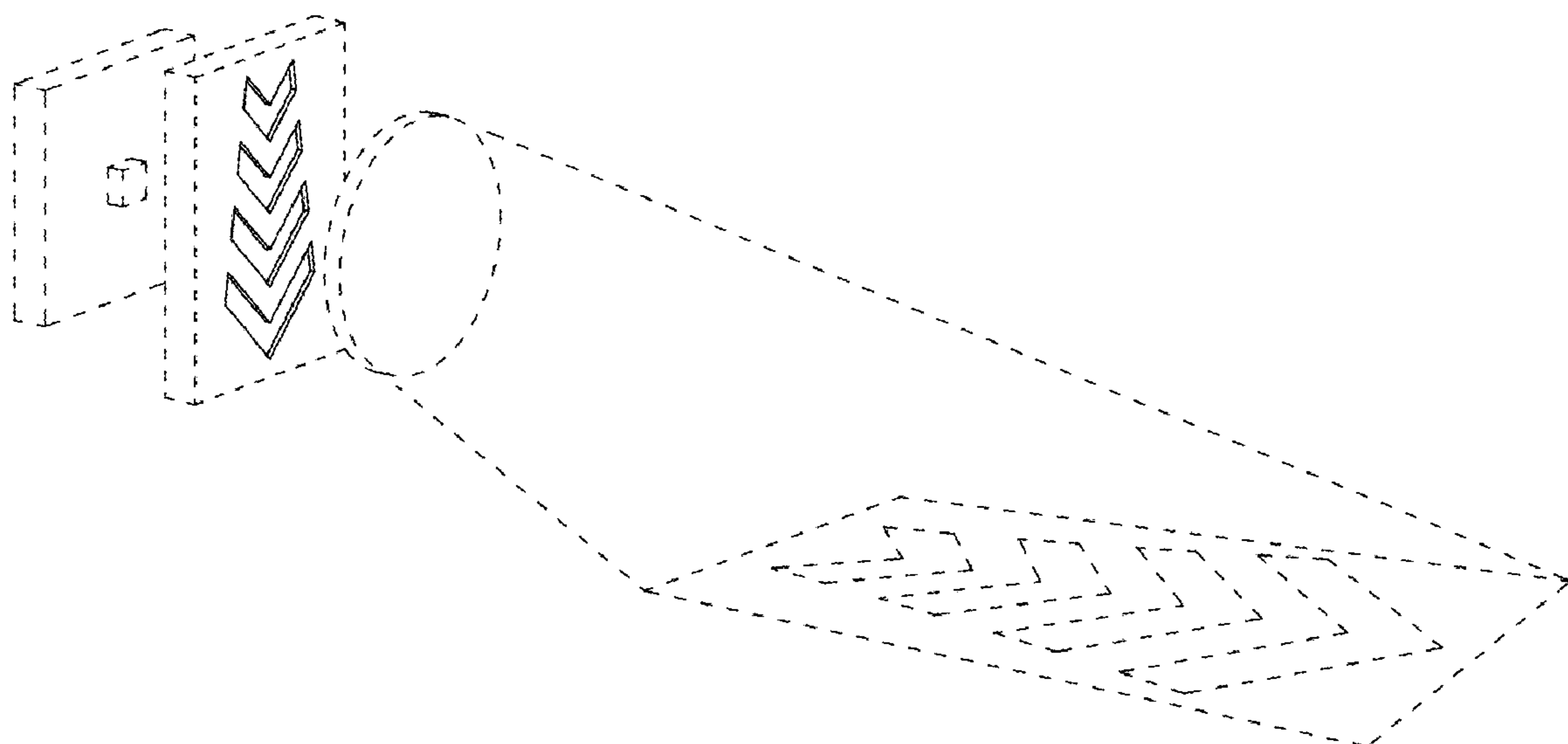
FIG. 6 is a cross-sectional view taken along line 6-6 in FIG. 2;

FIG. 7 is a front perspective view, shown within a first environment of use; and,

FIG. 8 is a top plan view, shown within a second environment of use.

The broken lines shown in FIGS. 1-7 depict portions of the article that form no part of the claimed design. Additional broken lines in FIG. 7 and the broken lines in FIG. 8 depict environmental subject matter that forms no part of the claimed design.

**1 Claim, 8 Drawing Sheets**



(56)

**References Cited**

U.S. PATENT DOCUMENTS

8,733,939 B2 \* 5/2014 Othmer ..... B60Q 1/50  
 353/13  
 9,221,509 B2 \* 12/2015 Lai ..... B62J 6/001  
 9,321,395 B2 \* 4/2016 Ammar ..... B60R 1/12  
 D761,310 S \* 7/2016 Brinda ..... D14/491  
 9,616,802 B1 \* 4/2017 Kiriyama ..... B60Q 1/0023  
 D806,121 S \* 12/2017 Jewitt ..... D14/491  
 9,969,325 B2 \* 5/2018 Lection ..... B60Q 1/50  
 10,065,555 B2 \* 9/2018 Abrams ..... B60Q 1/323  
 D836,661 S \* 12/2018 Sakata ..... D14/486  
 D849,762 S \* 5/2019 Kim ..... D14/485  
 2011/0273671 A1 \* 11/2011 Chu ..... G03B 21/14  
 353/13  
 2014/0203923 A1 \* 7/2014 Lai ..... B62J 6/001  
 340/432  
 2014/0267415 A1 \* 9/2014 Tang ..... G06T 11/60  
 345/633  
 2016/0257263 A1 \* 9/2016 Seal ..... F16M 13/022  
 2017/0246983 A1 \* 8/2017 Canonne ..... B60Q 1/0076  
 2018/0118095 A1 \* 5/2018 Kunii ..... B60Q 1/26

OTHER PUBLICATIONS

“YouTube—Gesture Bike Examining Projection Surfaces.” Found online Jun. 28, 2019 at [www.youtube.com](http://www.youtube.com). Video published Sep. 6, 2015. Retrieved from URL: <https://www.youtube.com/watch?v=kzCI3MNZkqw&feature=youtu.be> (Year: 2015).\*

“Triple Chevron Arrow Cutout—Cedar Planks.” Found online Jul. 9, 2019 at [www.etsy.com](http://www.etsy.com). No verifiable date. Retrieved from URL: <https://www.etsy.com/listing/612115141/triple-chevron-arrow-cutout-cedar-planks> (Year: 2019).\*

\* cited by examiner

Fig.1

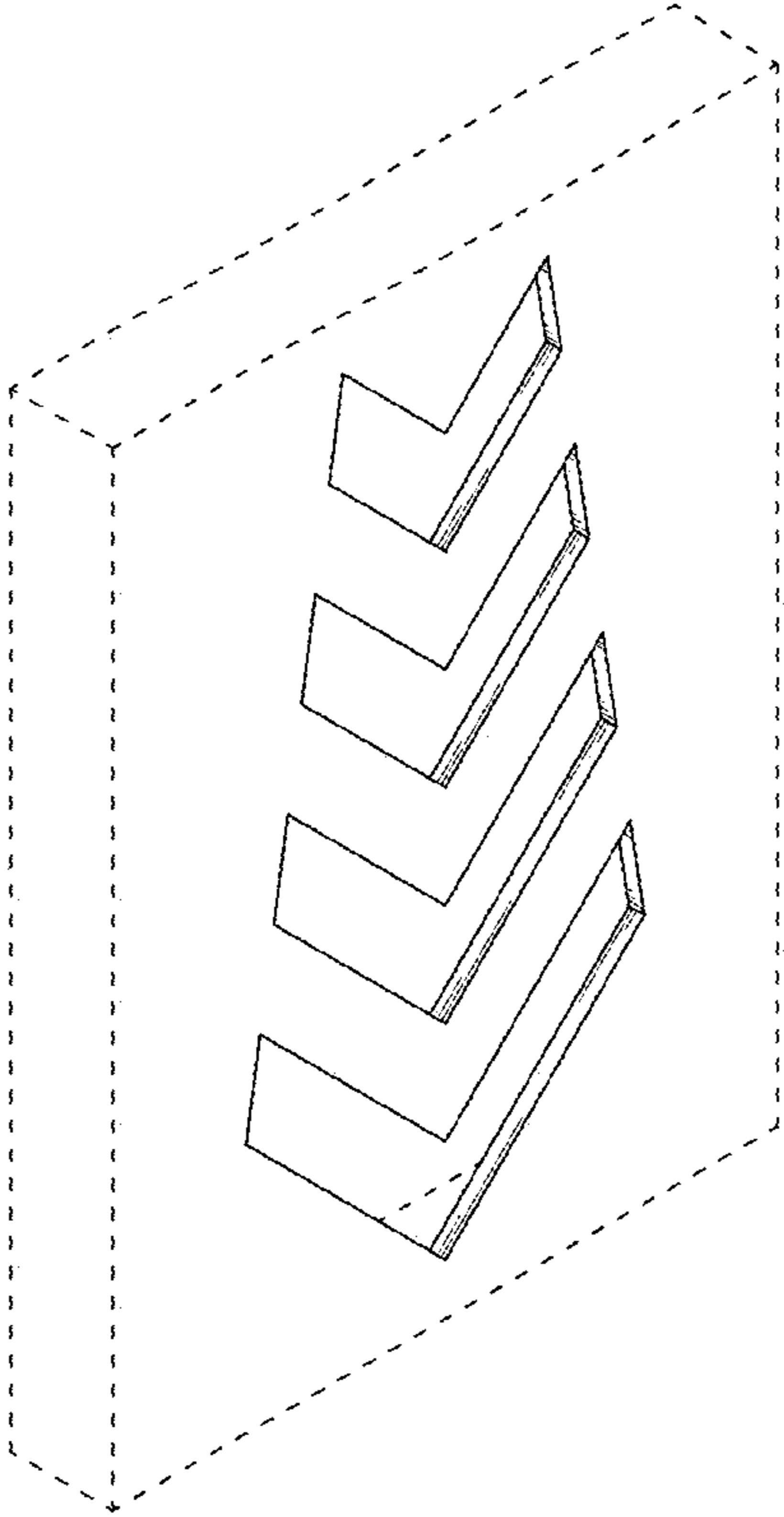


Fig.2

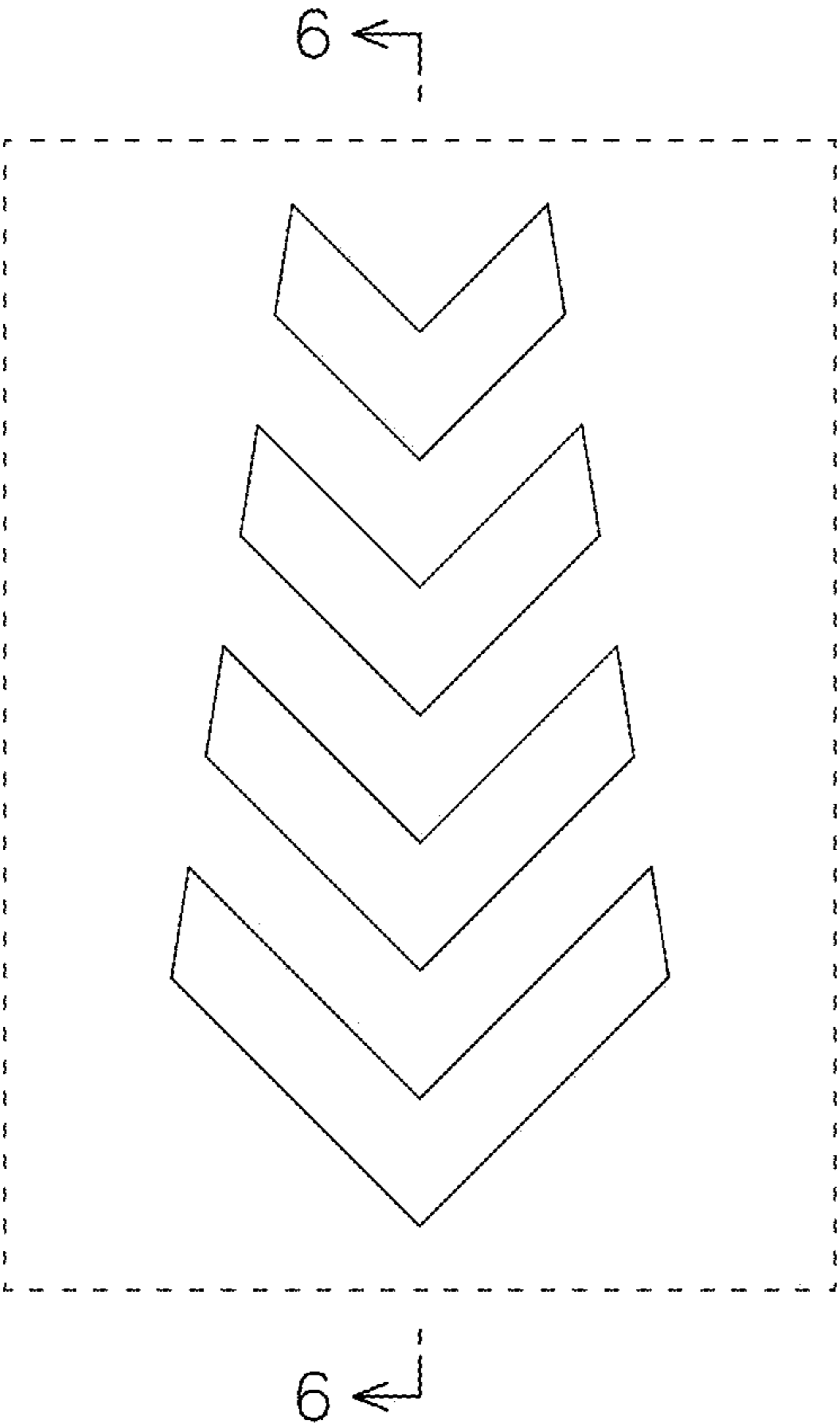


Fig.3

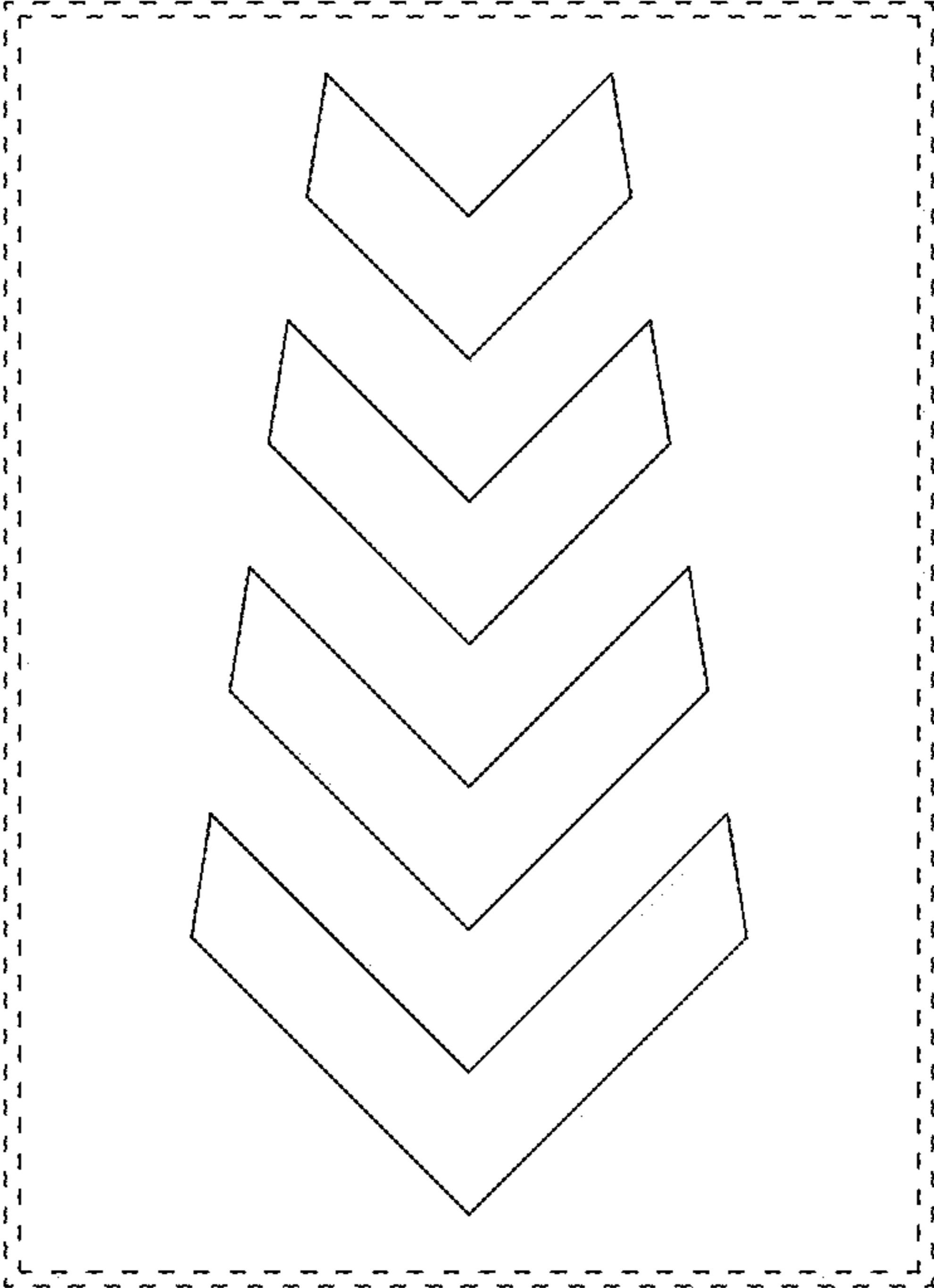


Fig.4



Fig.5



Fig.6





Fig.7

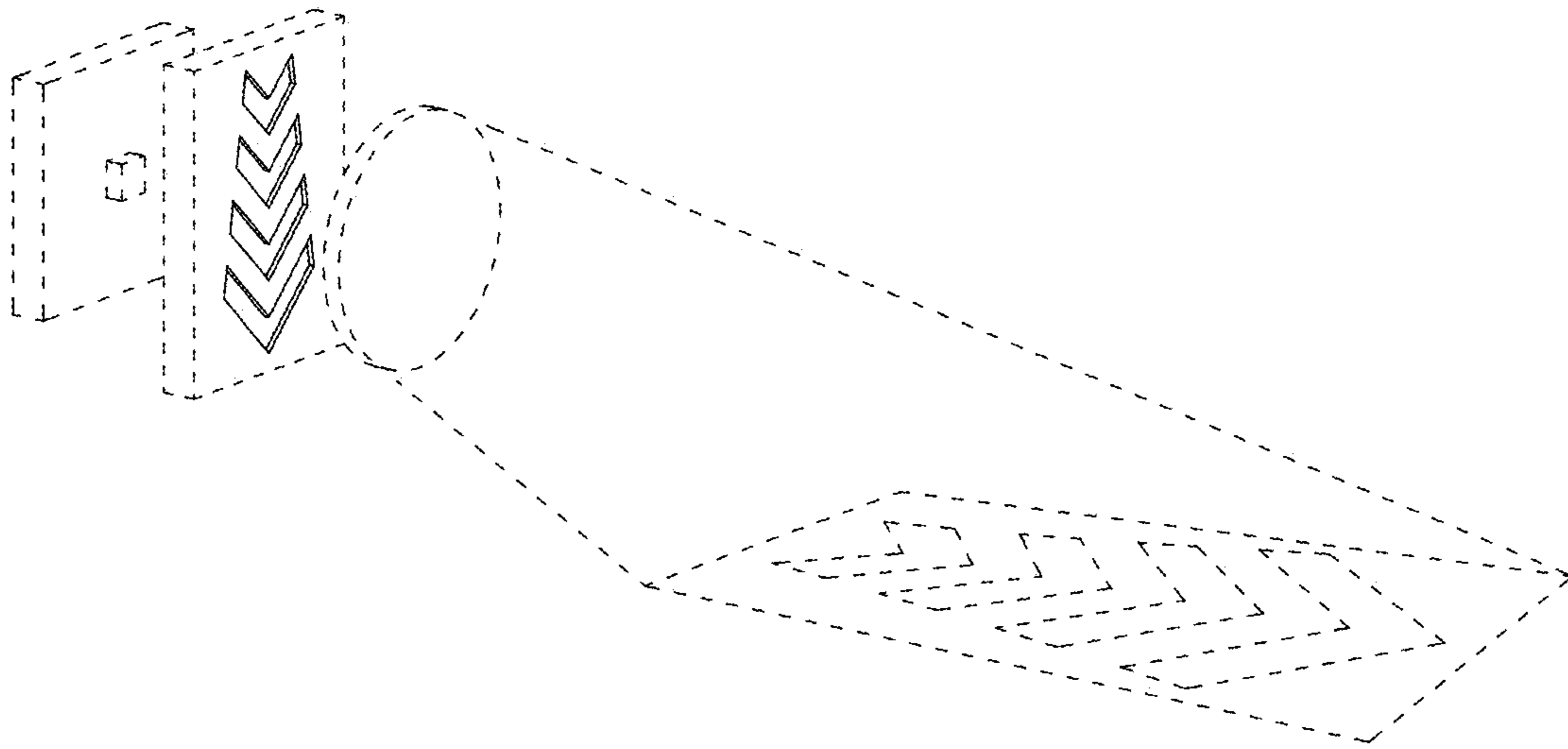


Fig.8

