



US00D878639S

(12) **United States Design Patent**
Luo

(10) **Patent No.:** **US D878,639 S**

(45) **Date of Patent:** **** Mar. 17, 2020**

(54) **NIGHT LIGHT**

(71) Applicant: **Haiwen Luo**, Shenzhen (CN)

(72) Inventor: **Haiwen Luo**, Shenzhen (CN)

(**) Term: **15 Years**

(21) Appl. No.: **29/633,300**

(22) Filed: **Jan. 12, 2018**

(51) **LOC (12) Cl.** **26-03**

(52) **U.S. Cl.**
USPC **D26/24**

(58) **Field of Classification Search**
USPC D26/26, 24, 110, 85; D23/366, 367, 369;
362/640, 641, 642, 643, 644, 650, 651,
362/652, 653, 659
CPC F21S 8/035; F21V 23/06; F21V 23/0442;
F21W 2121/00; H01R 2103/00; H01R
13/717
See application file for complete search history.

(56) **References Cited**

U.S. PATENT DOCUMENTS

3,203,126 A * 8/1965 Eliot F21S 8/035
40/553
4,344,116 A * 8/1982 Martin H01R 13/717
362/644

D336,144 S * 6/1993 Galati D26/26
D482,484 S * 11/2003 Benghozi D26/24
D506,693 S * 6/2005 Kaczmarek D26/26
D736,449 S * 8/2015 Getty D26/24
D782,727 S * 3/2017 Weiss D26/110
D810,970 S * 2/2018 Thompson D26/26
D840,582 S * 2/2019 Liu D26/110

* cited by examiner

Primary Examiner — Brian N. Vinson

(74) *Attorney, Agent, or Firm* — Law Offices of Steven
W. Weinrieb

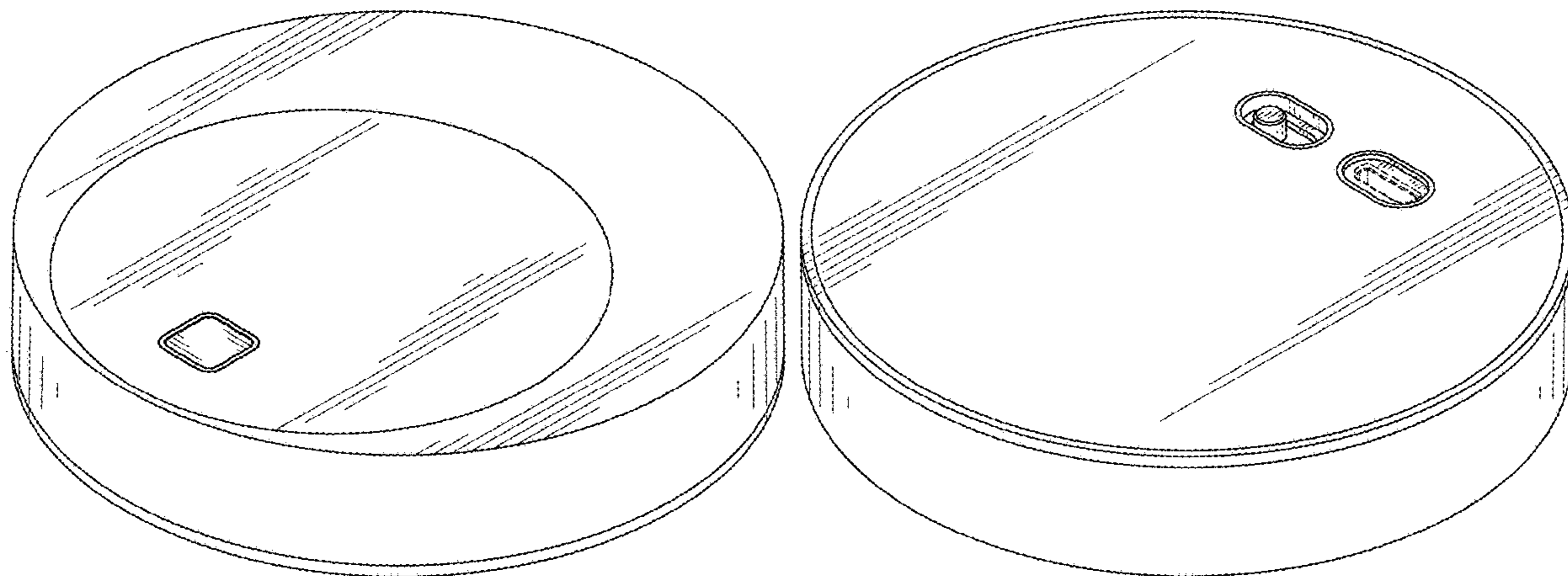
(57) **CLAIM**

The ornamental design for a night light, as shown and described.

DESCRIPTION

FIG. 1 is a front, right side, top perspective view of the night light showing my new design;
FIG. 2 is a rear, right side, bottom perspective view thereof;
FIG. 3 is a rear elevational view thereof.
FIG. 4 is a top plan view thereof; and,
FIG. 5 is a bottom plan view thereof.
The broken line disclosure in the views represents portions of the night light which form no part of the claimed design.

1 Claim, 5 Drawing Sheets



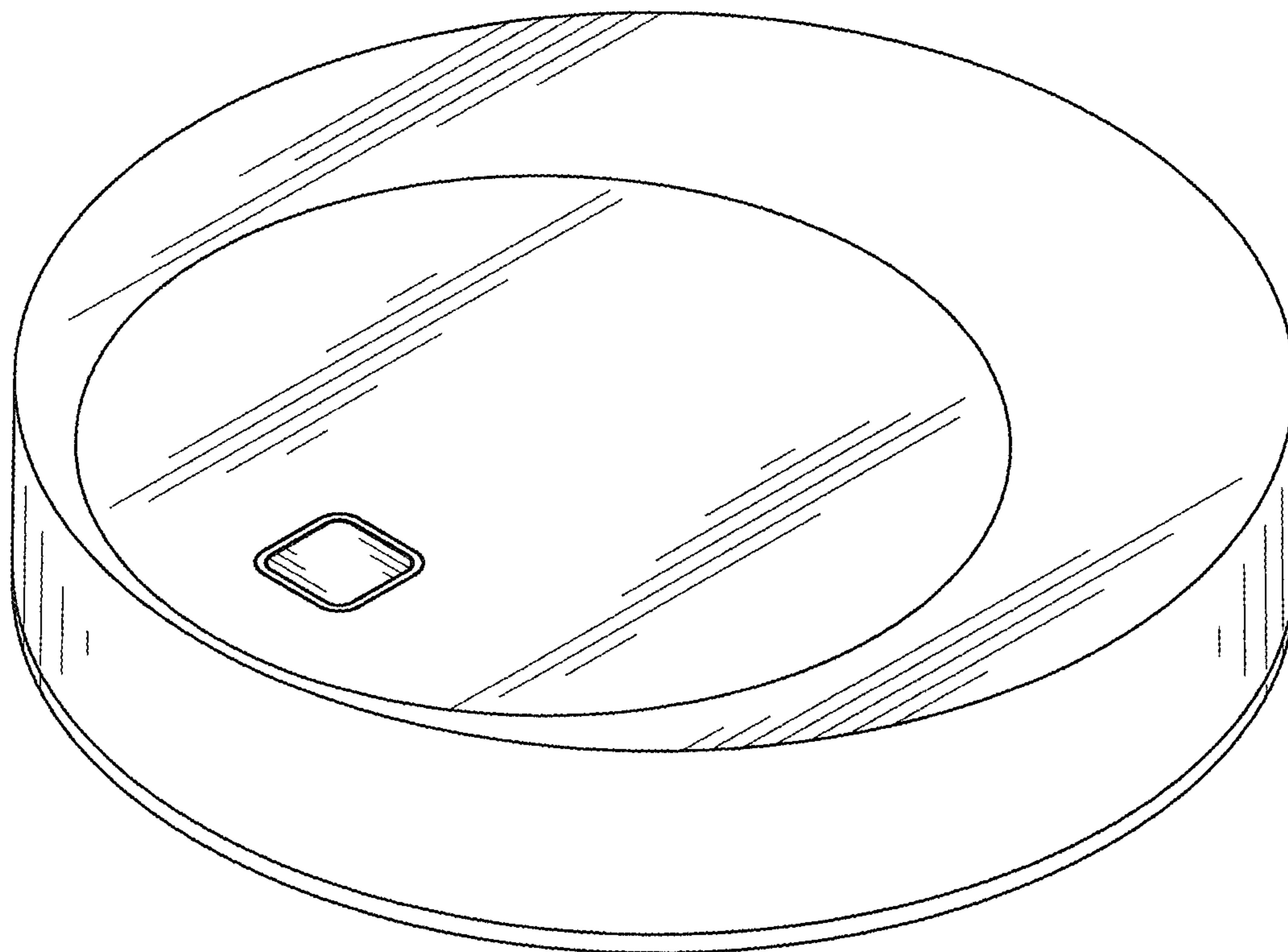


FIG. 1

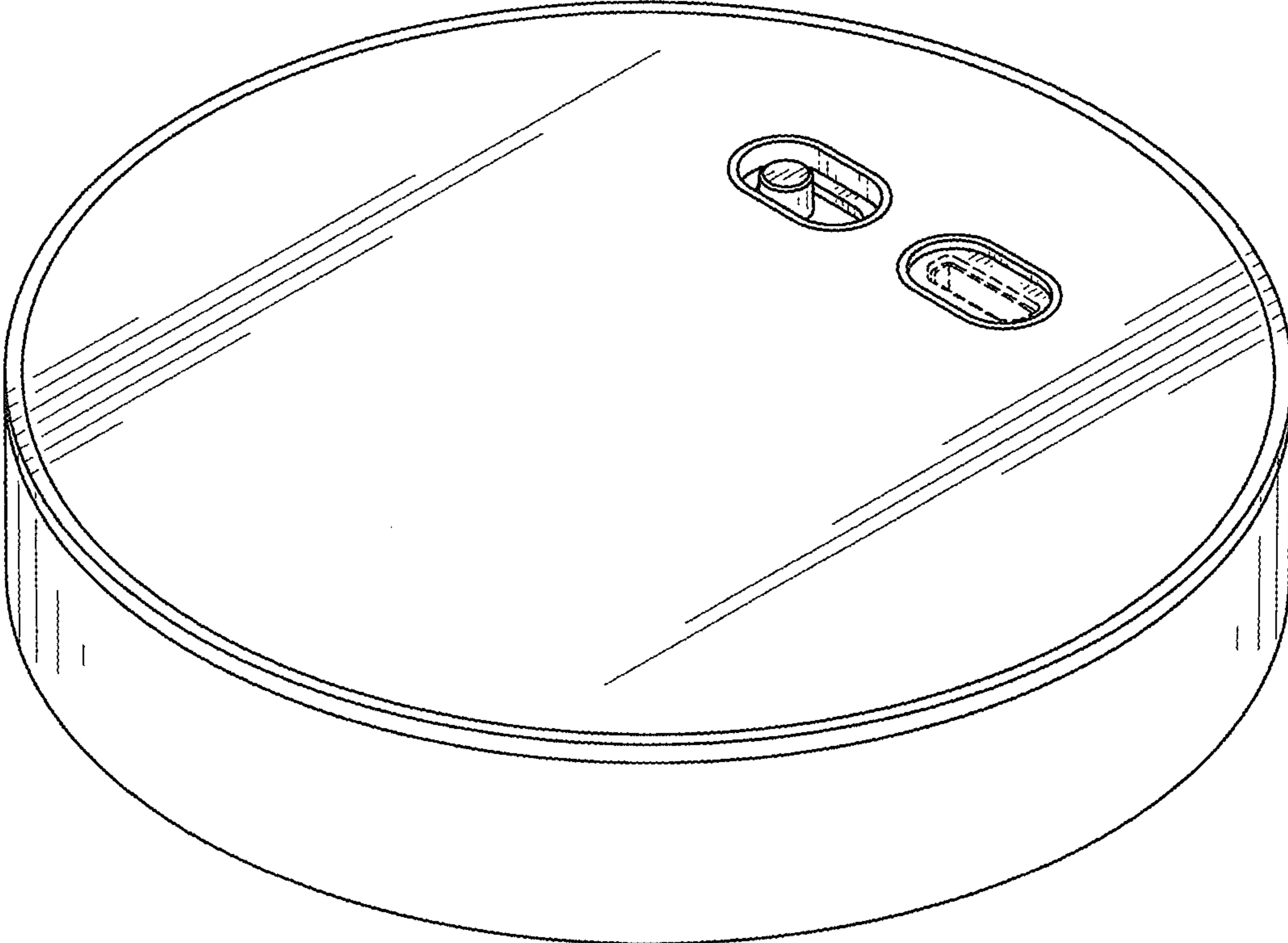


FIG. 2

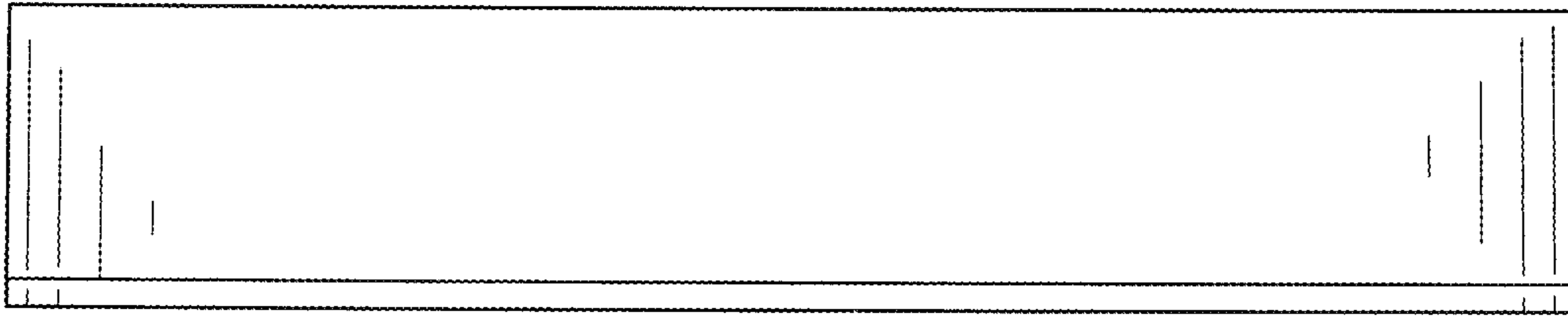


FIG. 3

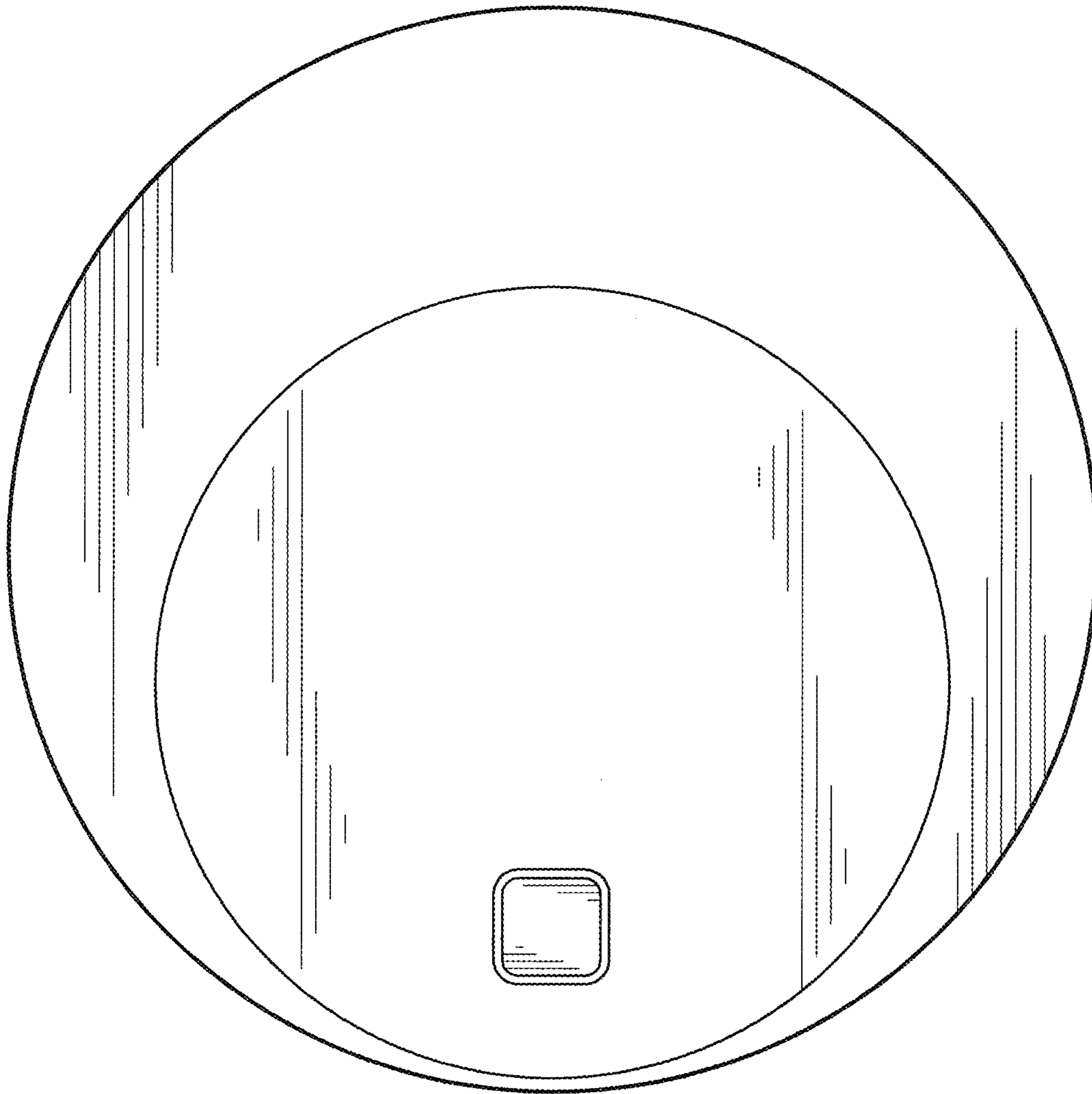


FIG. 4

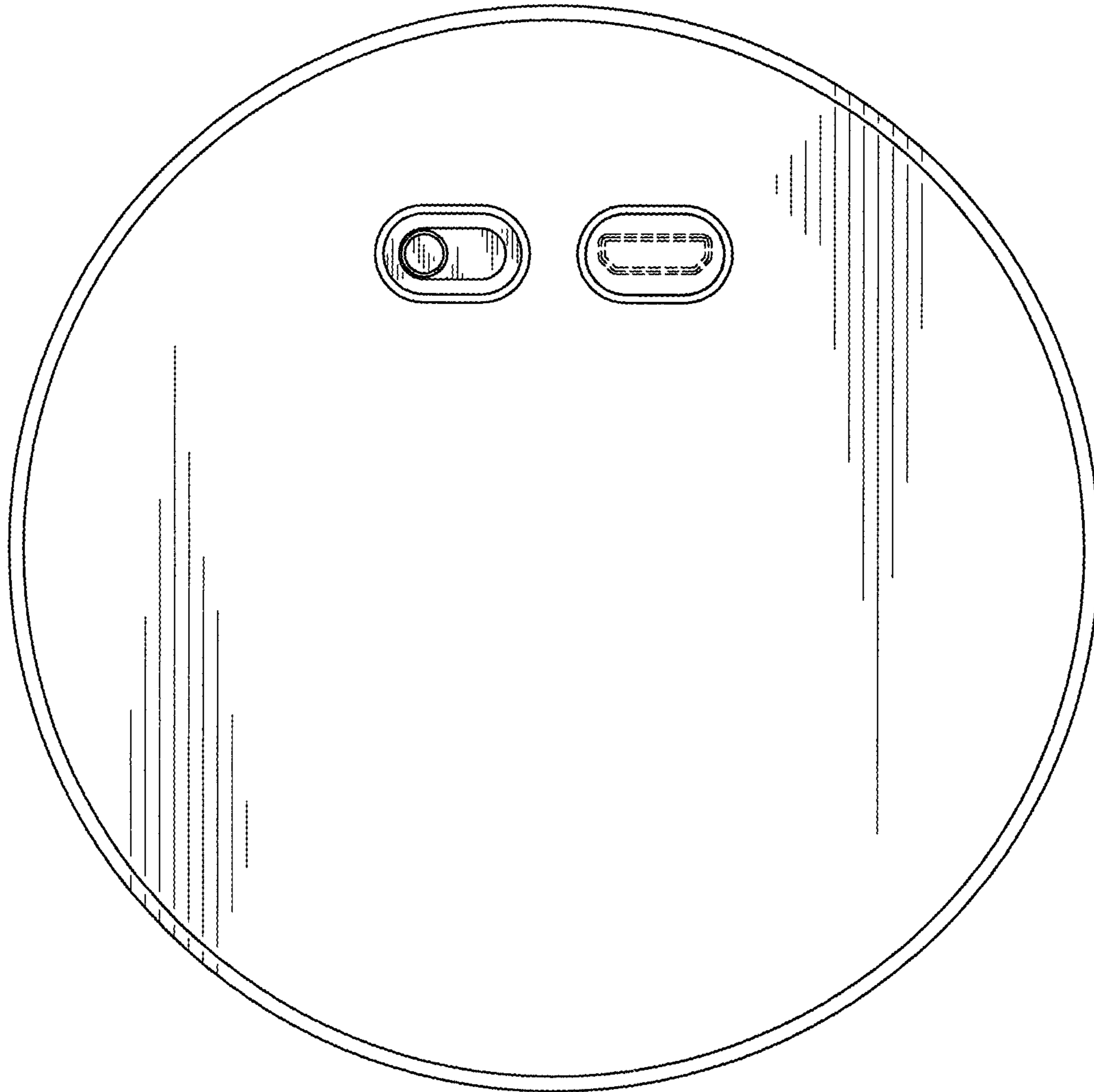


FIG. 5