



US00D878637S

(12) **United States Design Patent** (10) **Patent No.:** **US D878,637 S**
Roys (45) **Date of Patent:** **** Mar. 17, 2020**

(54) **STACKABLE MODULAR CORN LIGHT**

(71) Applicant: **Curtis Alan Roys**, Fredericksburg, TX (US)

(72) Inventor: **Curtis Alan Roys**, Fredericksburg, TX (US)

(**) Term: **15 Years**

(21) Appl. No.: **29/650,957**

(22) Filed: **Jun. 11, 2018**

(51) **LOC (12) Cl.** **26-04**

(52) **U.S. Cl.**
USPC **D26/2**

(58) **Field of Classification Search**
USPC **D26/1-4**

(Continued)

(56) **References Cited**

U.S. PATENT DOCUMENTS

D647,226 S * 10/2011 Huang D26/2
D669,200 S * 10/2012 Chen D26/2

(Continued)

Primary Examiner — Marcus A Jackson

(74) *Attorney, Agent, or Firm* — Scheinberg & Associates, PC; Micahel O. Scheinberg

(57) **CLAIM**

I claim the ornamental design for a stackable modular corn light, as shown and described.

DESCRIPTION

FIG. 1 is an isometric view of a stackable modular corn light assembly in accordance with my new design, the stackable modular corn light assembly including a base module, a center LED module, and a top LED module;

FIG. 2 is front elevation thereof;

FIG. 3 is rear elevation thereof;

FIG. 4 is a left side elevation thereof;

FIG. 5 is a right side elevation thereof;

FIG. 6 is a top plan view thereof;

FIG. 7 is a bottom plan view thereof;

FIG. 8 is an exploded view of the stackable modular corn light assembly of FIG. 1;

FIG. 9 is an isometric view of a stackable modular corn light assembly in accordance with my new design, including a base module and a top LED module;

FIG. 10 is front elevation thereof;

FIG. 11 is a top plan view thereof;

FIG. 12 is a bottom plan view thereof;

FIG. 13 is an isometric view of a base module of the stackable modular corn light assembly of FIGS. 1-12;

FIG. 14 is a front elevation of the base module;

FIG. 15 is a top plan view of the base module;

FIG. 16 is a cross-sectional view of the base module;

FIG. 17 is an isometric view of a top LED module of the stackable modular corn light assembly of FIGS. 1-12;

FIG. 18 is a front elevation of the top LED module;

FIG. 19 is rear elevation of the top LED module;

FIG. 20 is a left side elevation of the top LED module

FIG. 21 is a right side elevation of the top LED module

FIG. 22 is a top plan view of the of the top LED module

FIG. 23 is a bottom plan view of the of the top LED module;

FIG. 24 is an isometric view of a center LED module of the stackable modular corn light assembly of FIGS. 1-12;

FIG. 25 is a front elevation of the center LED module;

FIG. 26 is a rear elevation of the center LED module;

FIG. 27 is a left side elevation of the center LED module;

FIG. 28 is a right side elevation of the center LED module;

FIG. 29 is a top plan view of the of the center LED module;

FIG. 30 is a bottom plan view of the of the center LED module;

FIG. 31 is a cross-sectional view of the center LED module;

FIG. 32 is a front view of a stackable modular corn light assembly in accordance with my new design, stackable modular corn light assembly including the base module of

FIG. 13-16, the center LED module of FIGS. 24-31, and the top LED module of FIGS. 17-23;

FIG. 33 shows an exploded view of the stackable modular corn light assembly of FIG. 32; and,

(Continued)

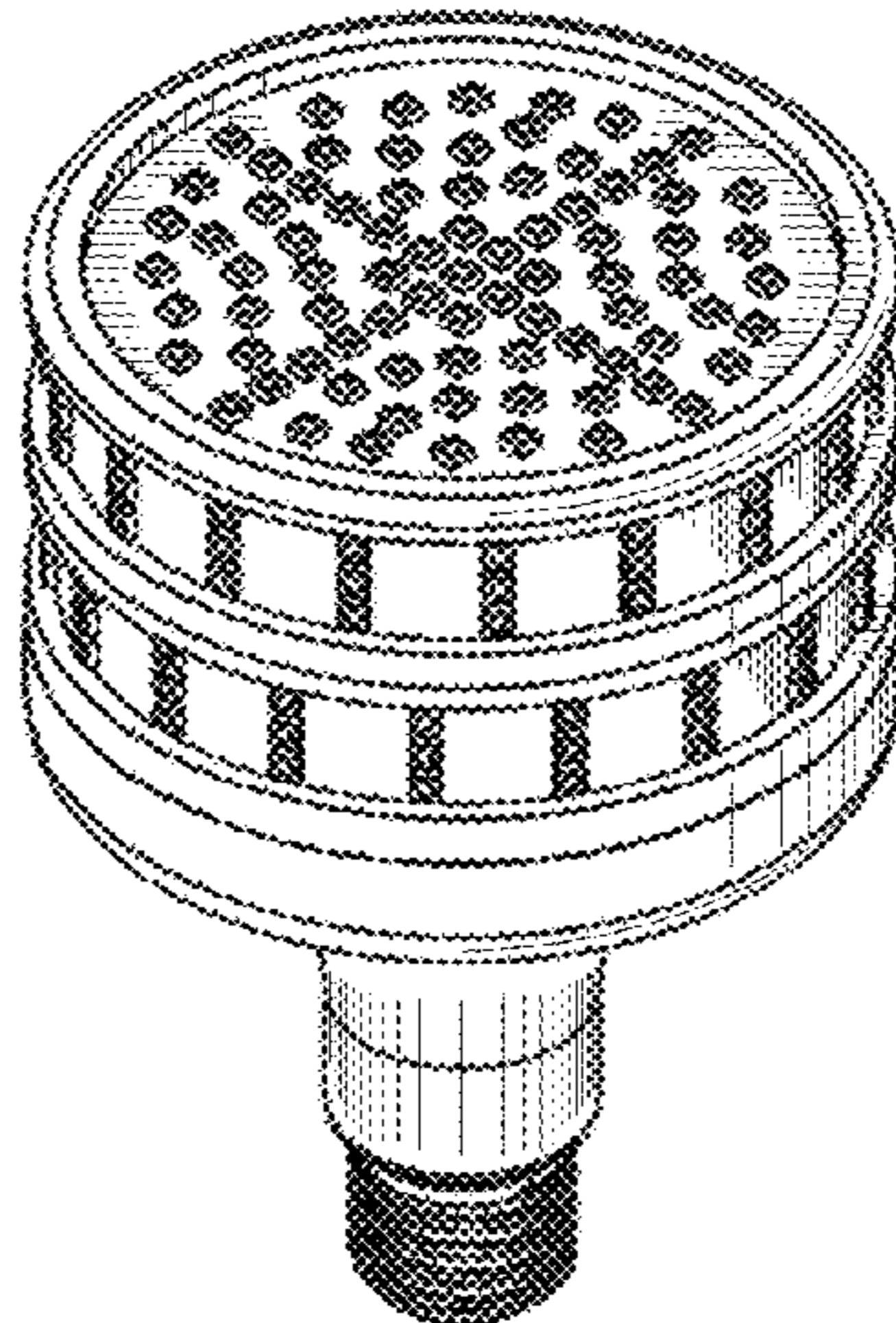


FIG. 34 shows an example of a stackable corn light assembly, the example comprising the base module of FIG. 13-16, six center LED modules of FIGS. 24-31, and the top LED module of FIGS. 17-23.

The rear elevation, left side elevation, and right side elevation of the stackable modular corn light assembly of FIGS. 9-12, which includes a base module and a top LED module, are the same as the front elevation. The rear elevation, left side elevation, and right side elevation of the base module of the stackable modular corn light assembly of FIGS. 13-16 are the same as the front elevation. The bottom plan view of the base module is the same as the bottom plan view of the stackable modular corn light assembly of FIGS. 1-7, as shown in FIG. 7. FIGS. 32 and 33 show symbolic breaks in the length of the stackable modular corn light assemblies. The appearance of the article between the break lines of FIGS. 32 and 33 form no part of the claimed design. That is, any number of center LED modules could be positioned between the break lines without deviating from the claimed design.

1 Claim, 18 Drawing Sheets

(58) **Field of Classification Search**

CPC H01R 5/00; H01R 13/46; H01R 13/514;
H01R 31/048; H01R 31/02; H01J 5/00;
H01J 5/16; H01J 1/02; H01J 15/00; H01J
5/48; H01J 5/50; H01J 19/54; F21V 5/00;
F21K 9/00; F21K 29/004

See application file for complete search history.

(56) **References Cited**

U.S. PATENT DOCUMENTS

D739,968	S	*	9/2015	Qin	D26/2
D739,970	S	*	9/2015	Qin	D26/2
D753,322	S	*	4/2016	Taylor	D26/2
D762,884	S	*	8/2016	Shalvi	D26/2
D782,082	S	*	3/2017	Shalvi	D26/2

* cited by examiner

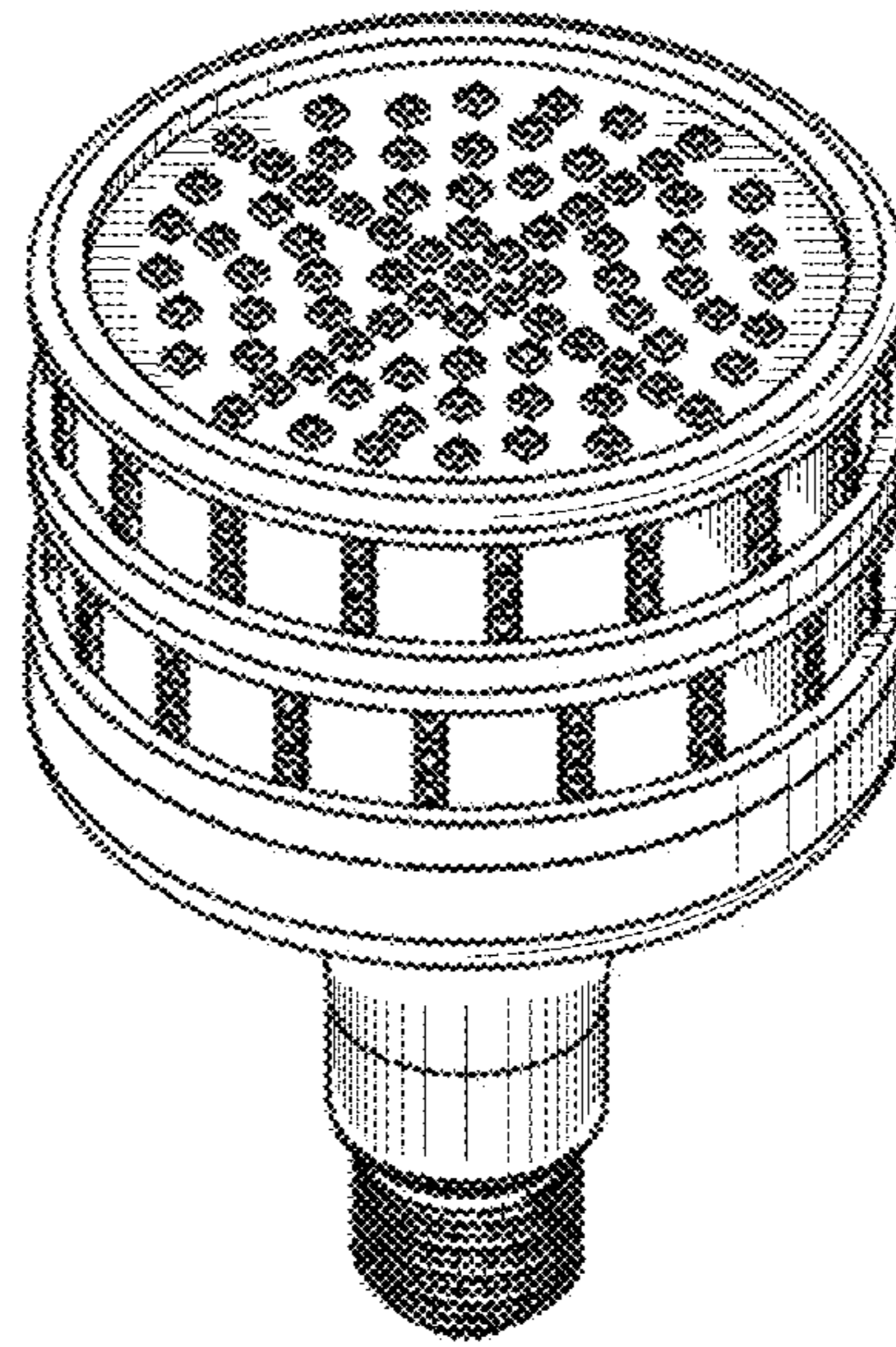


FIG. 1

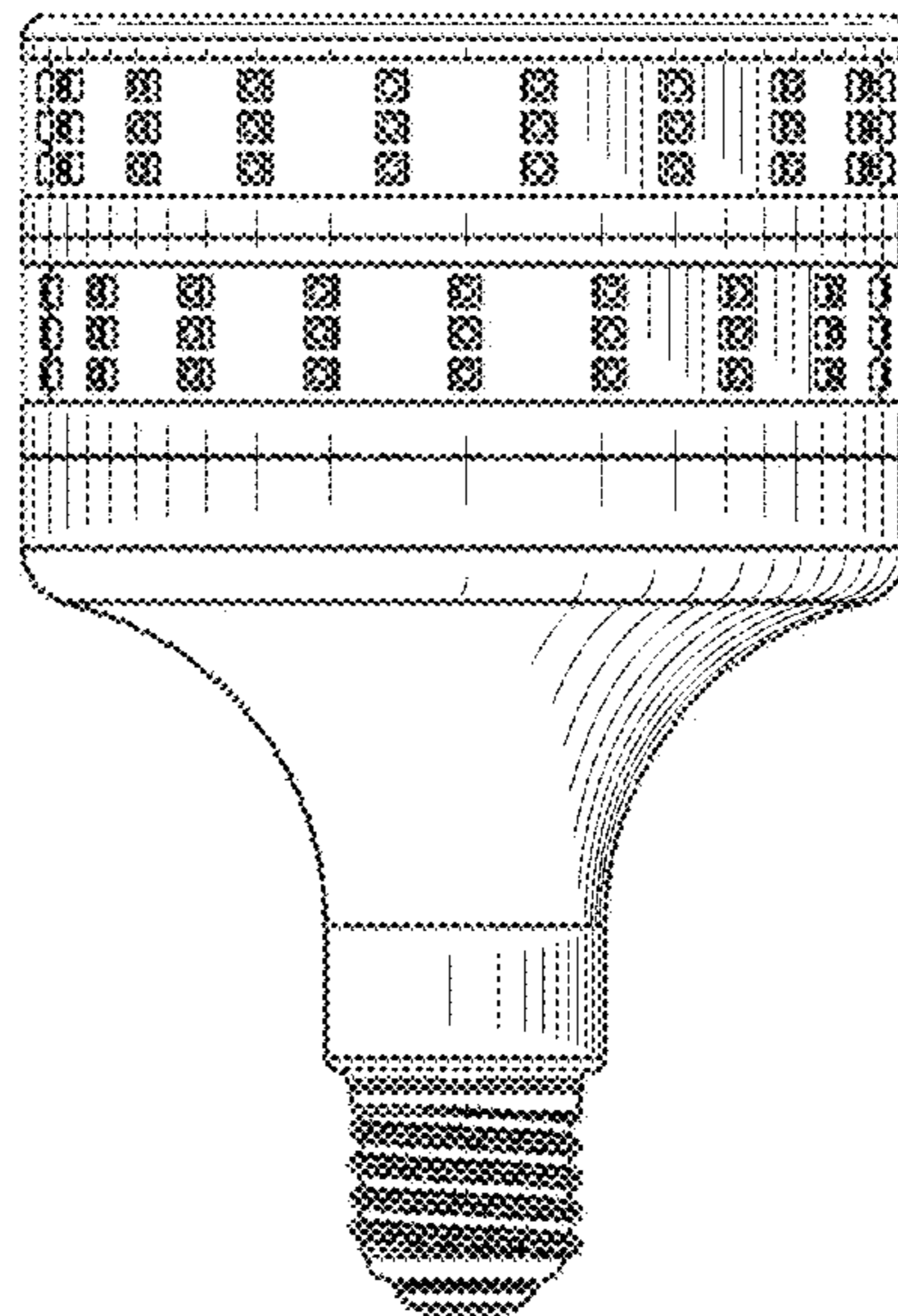


FIG. 2

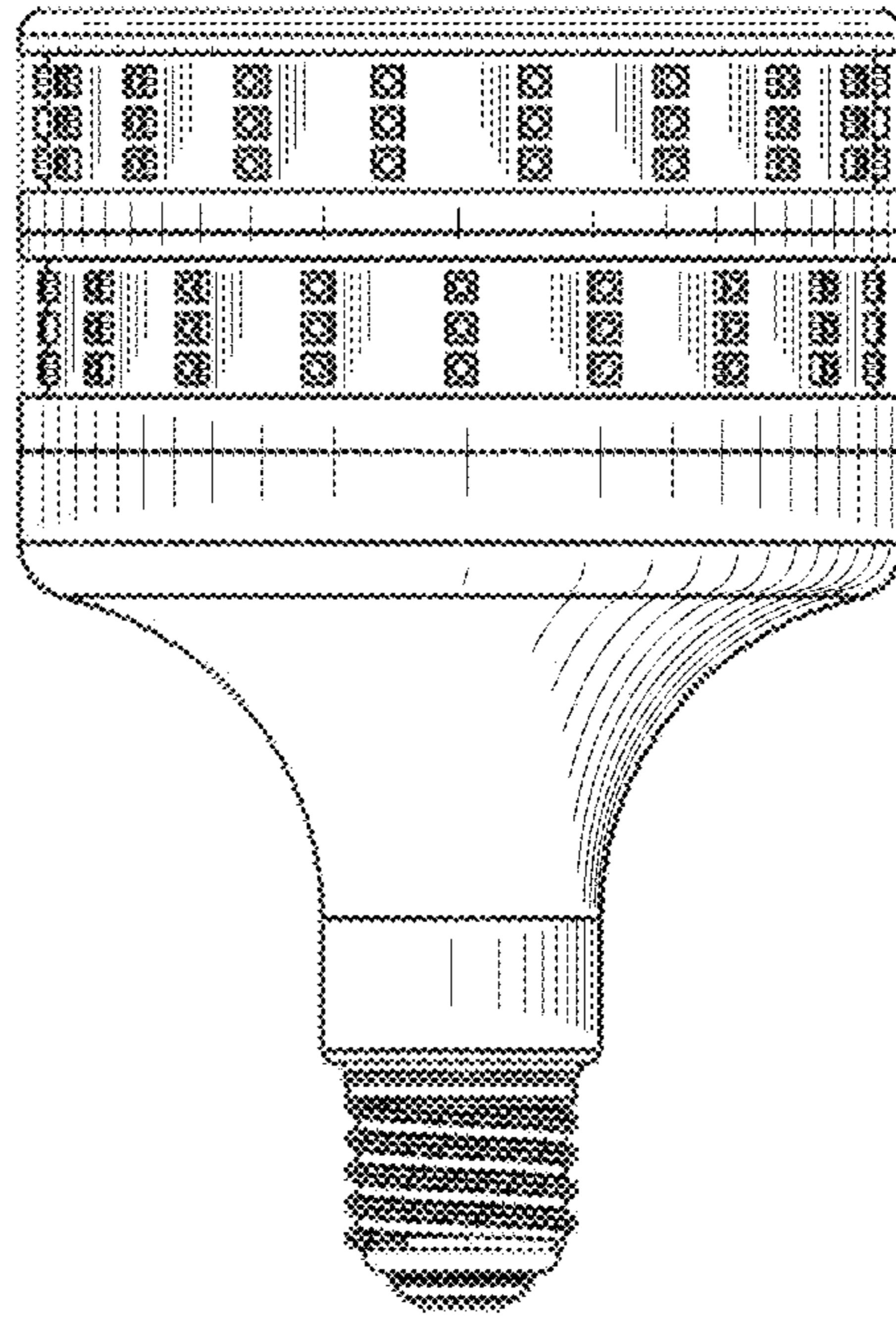


FIG. 3

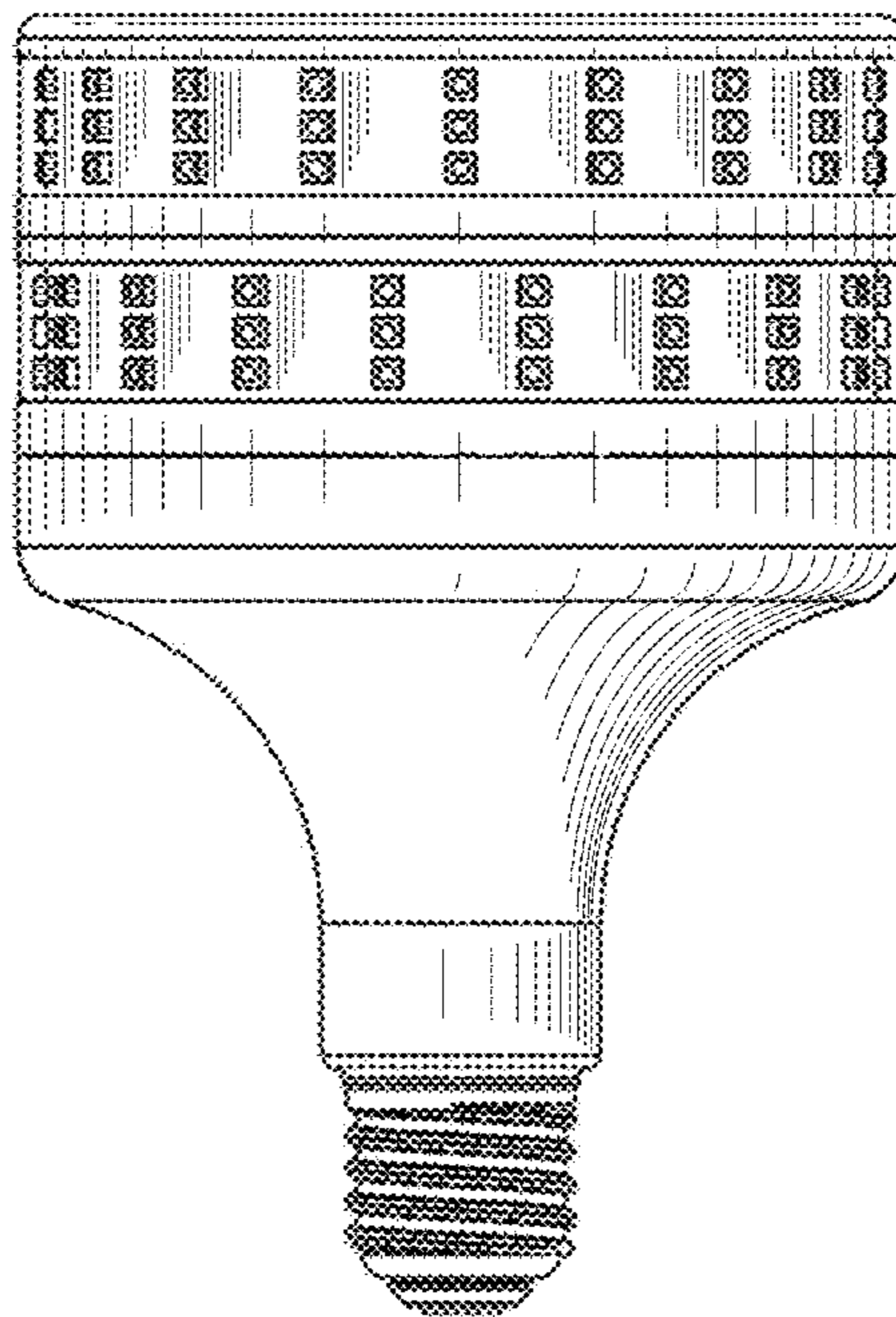


FIG. 4

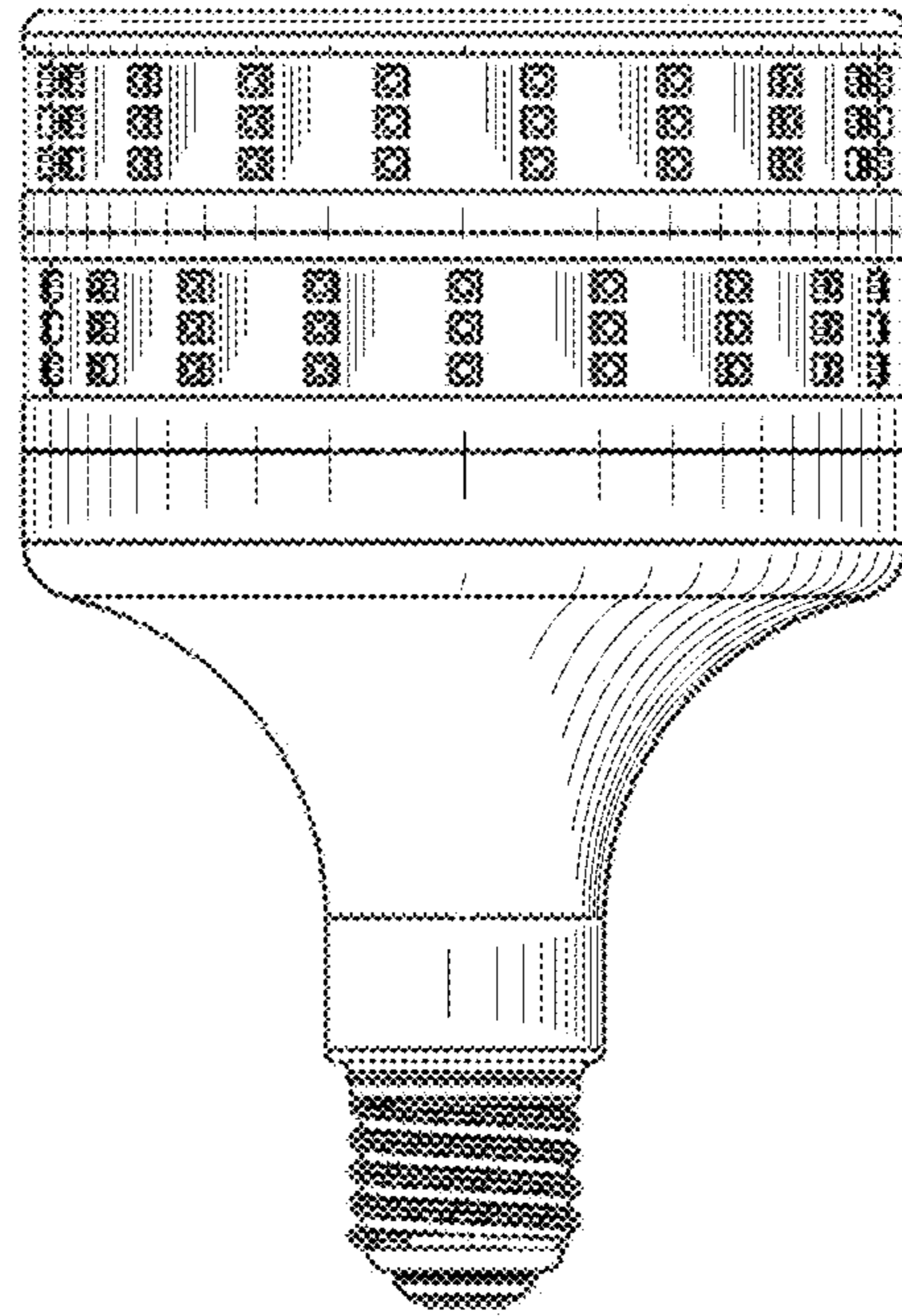


FIG. 5

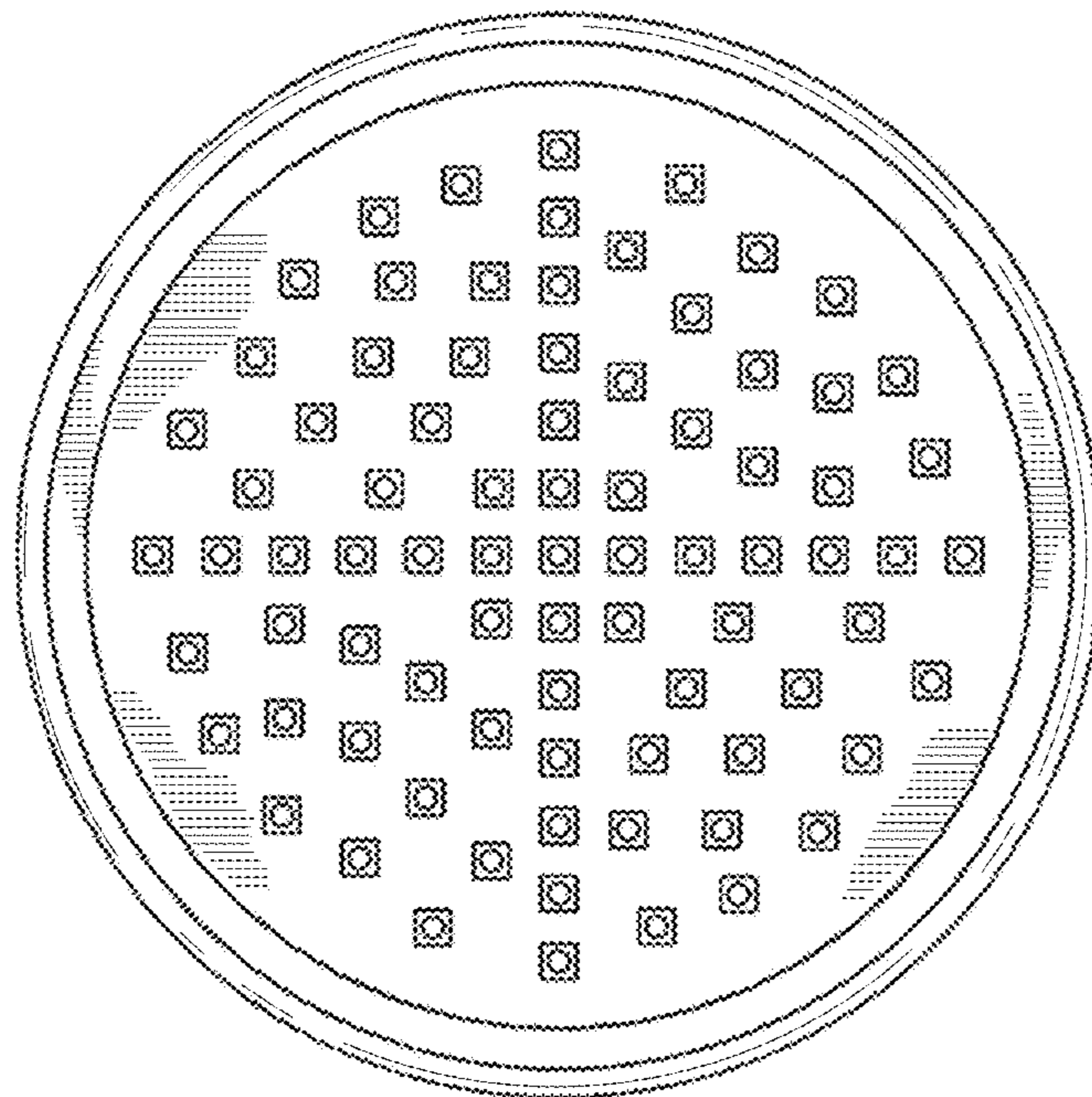


FIG. 6

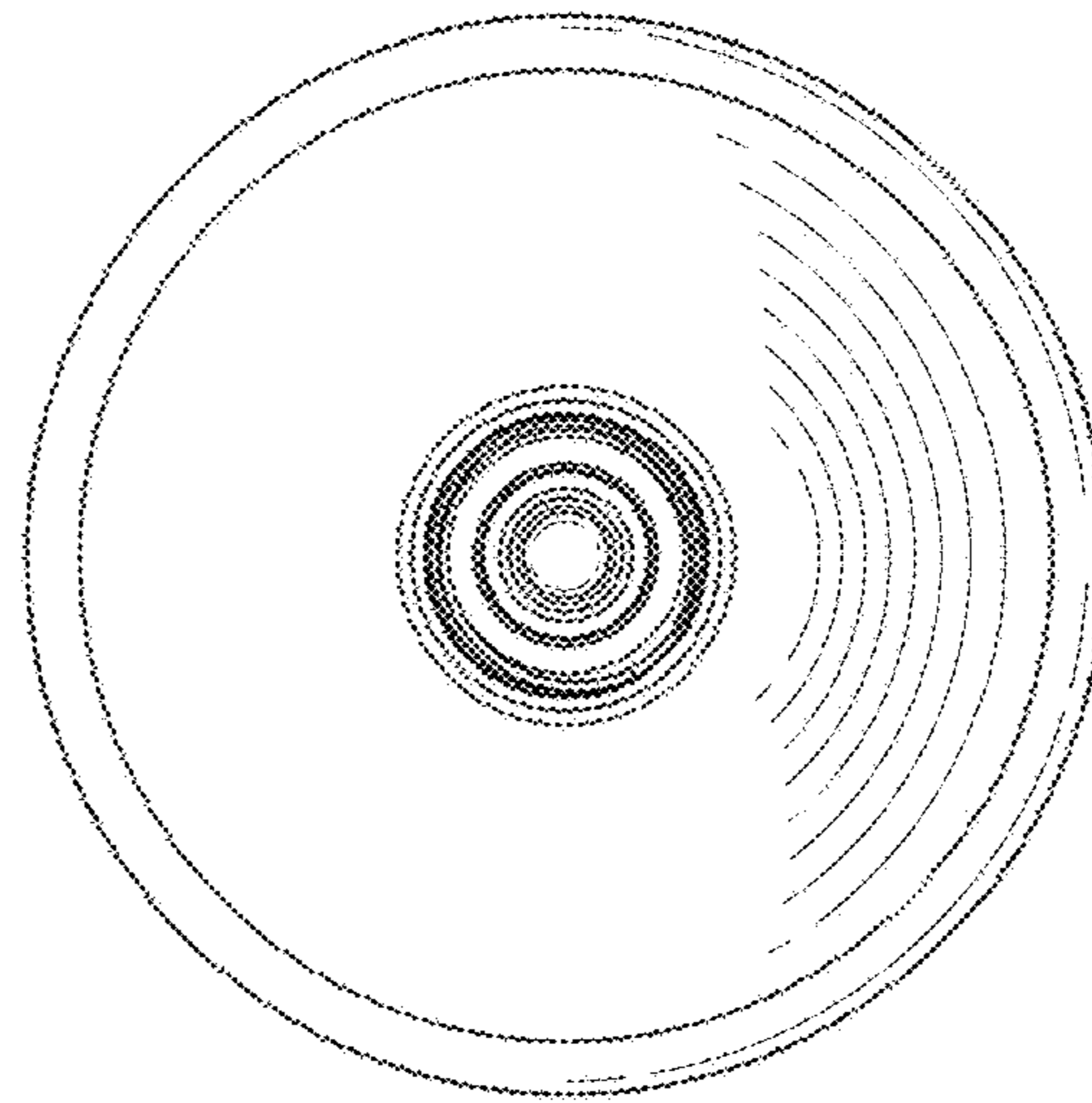


FIG. 7

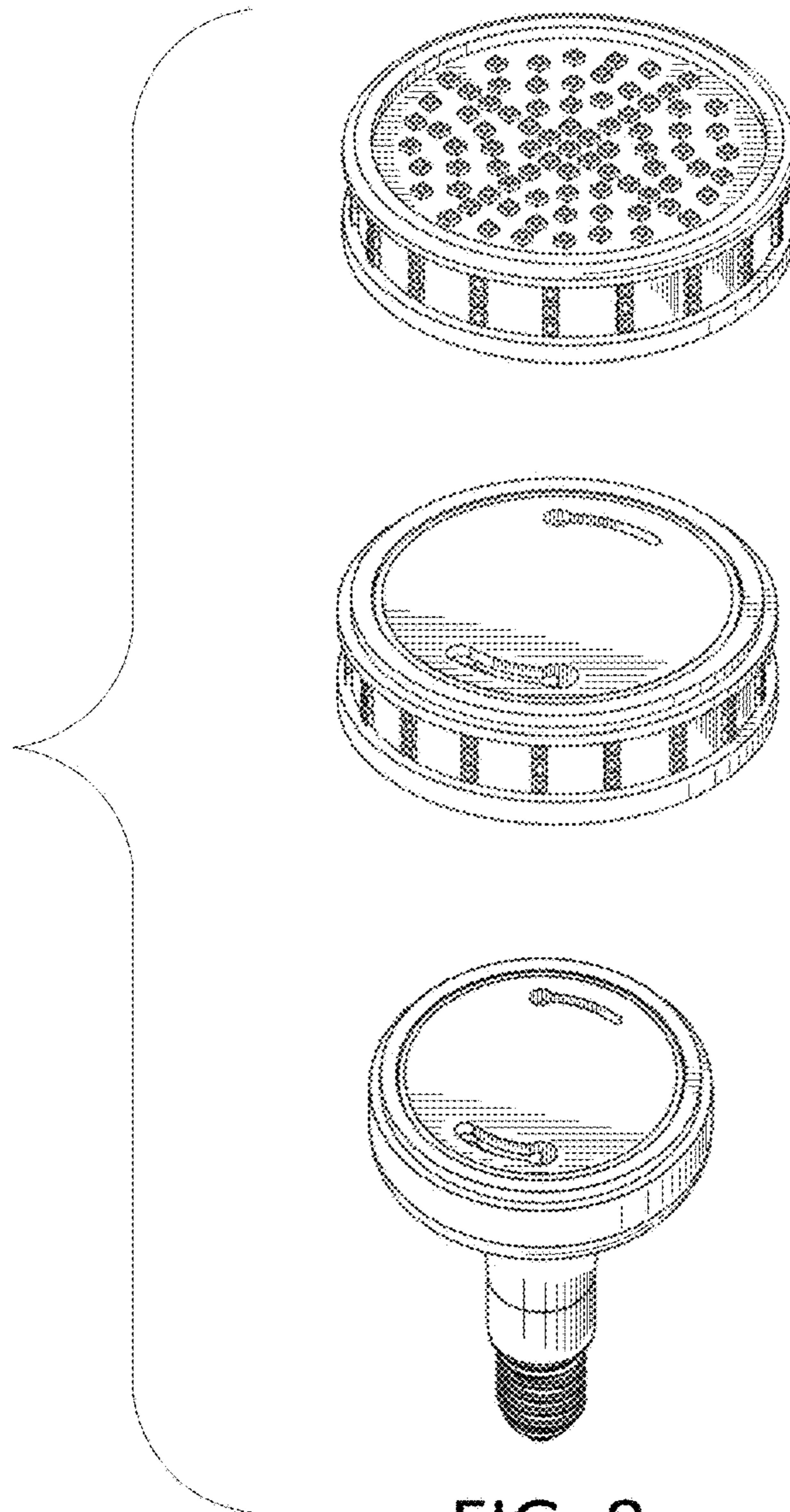


FIG. 8

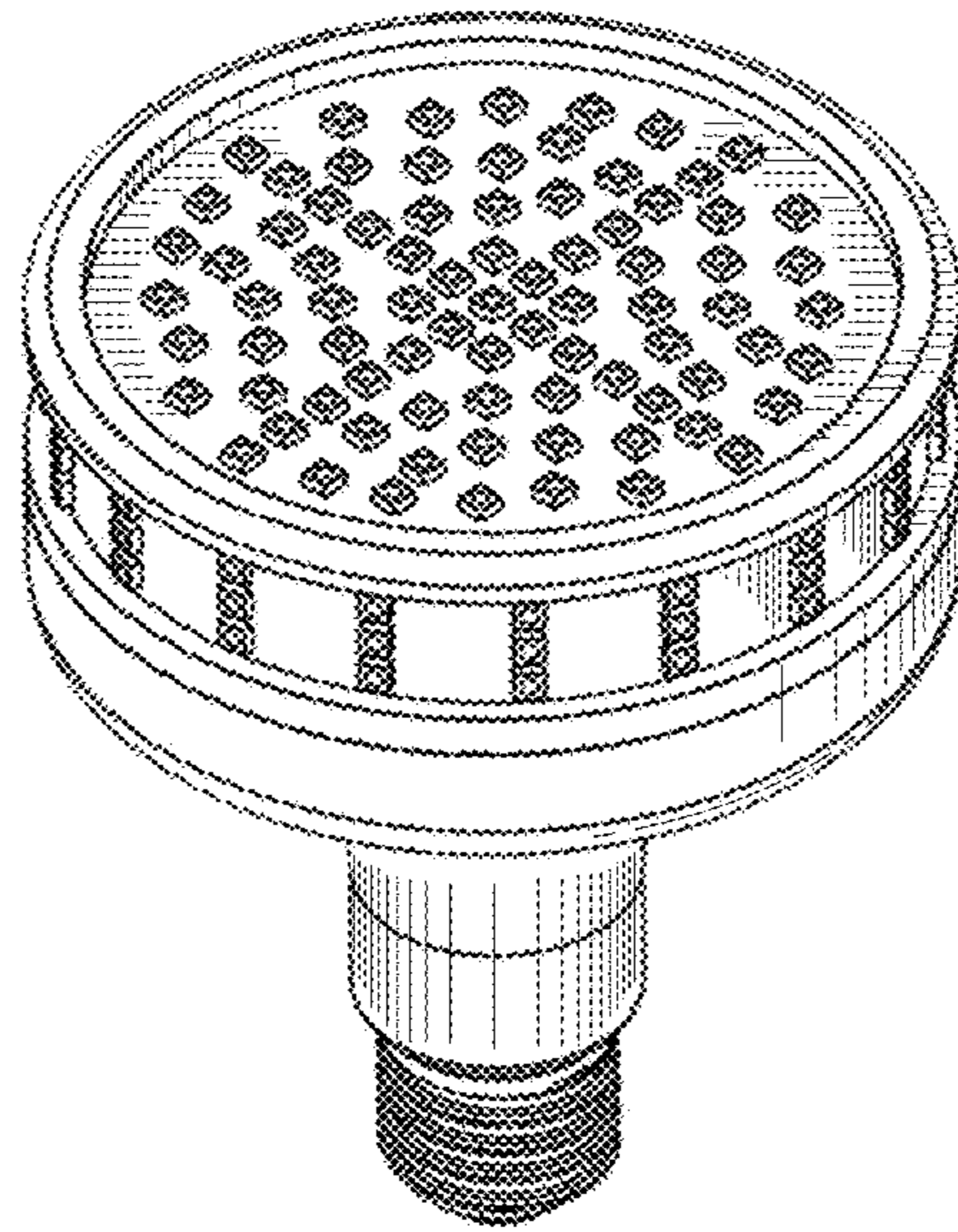


FIG. 9

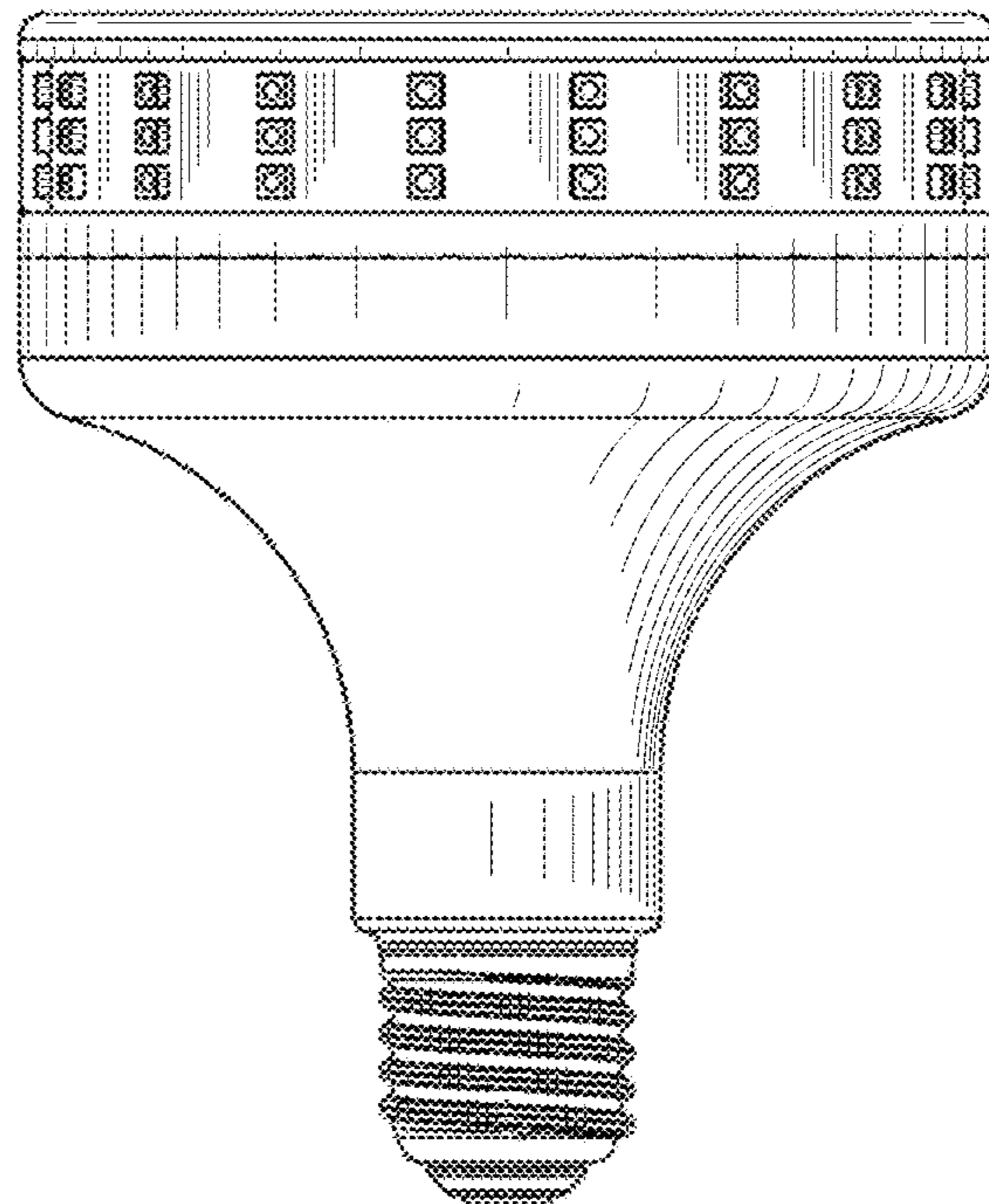


FIG. 10

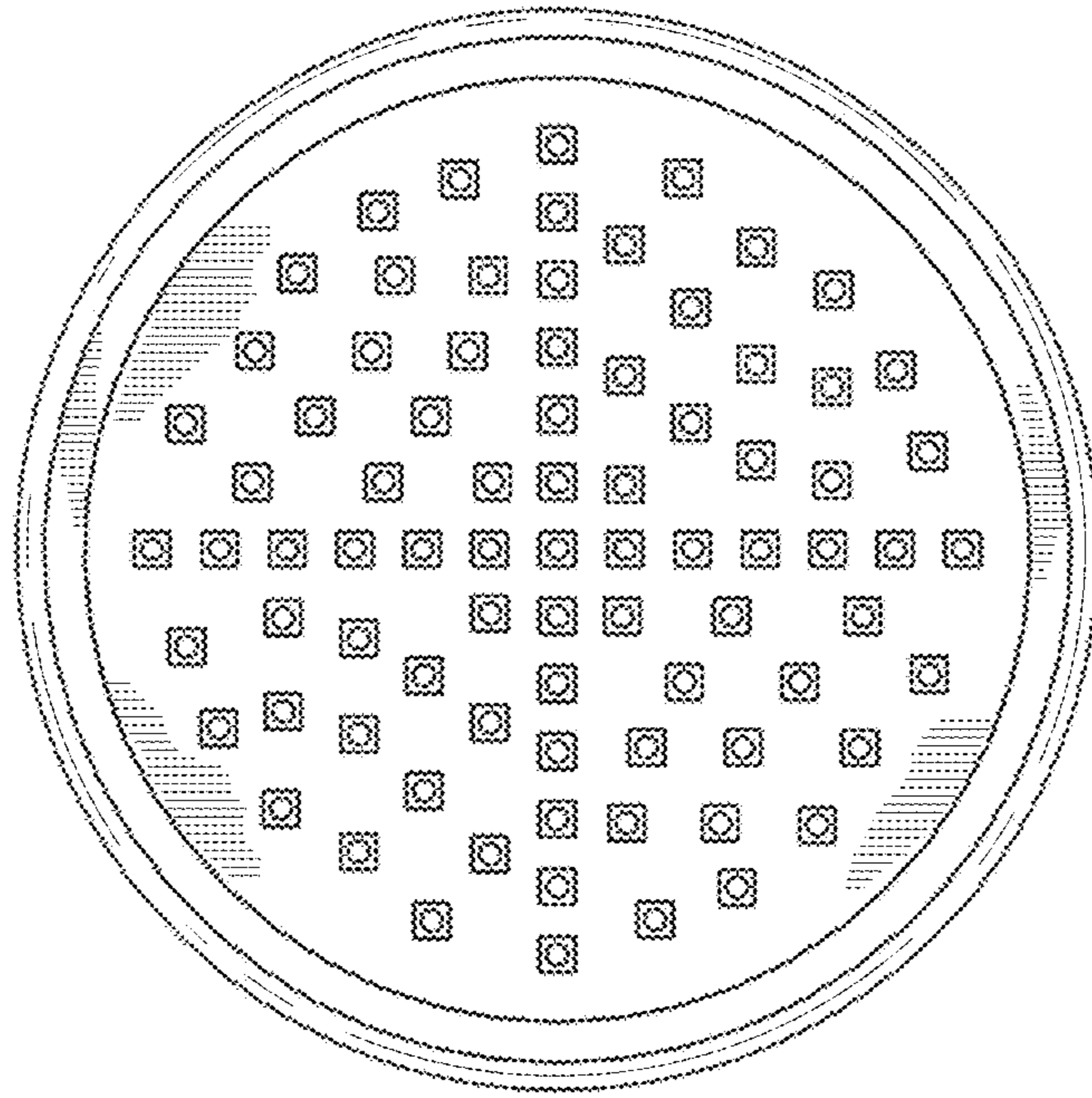


FIG. 11

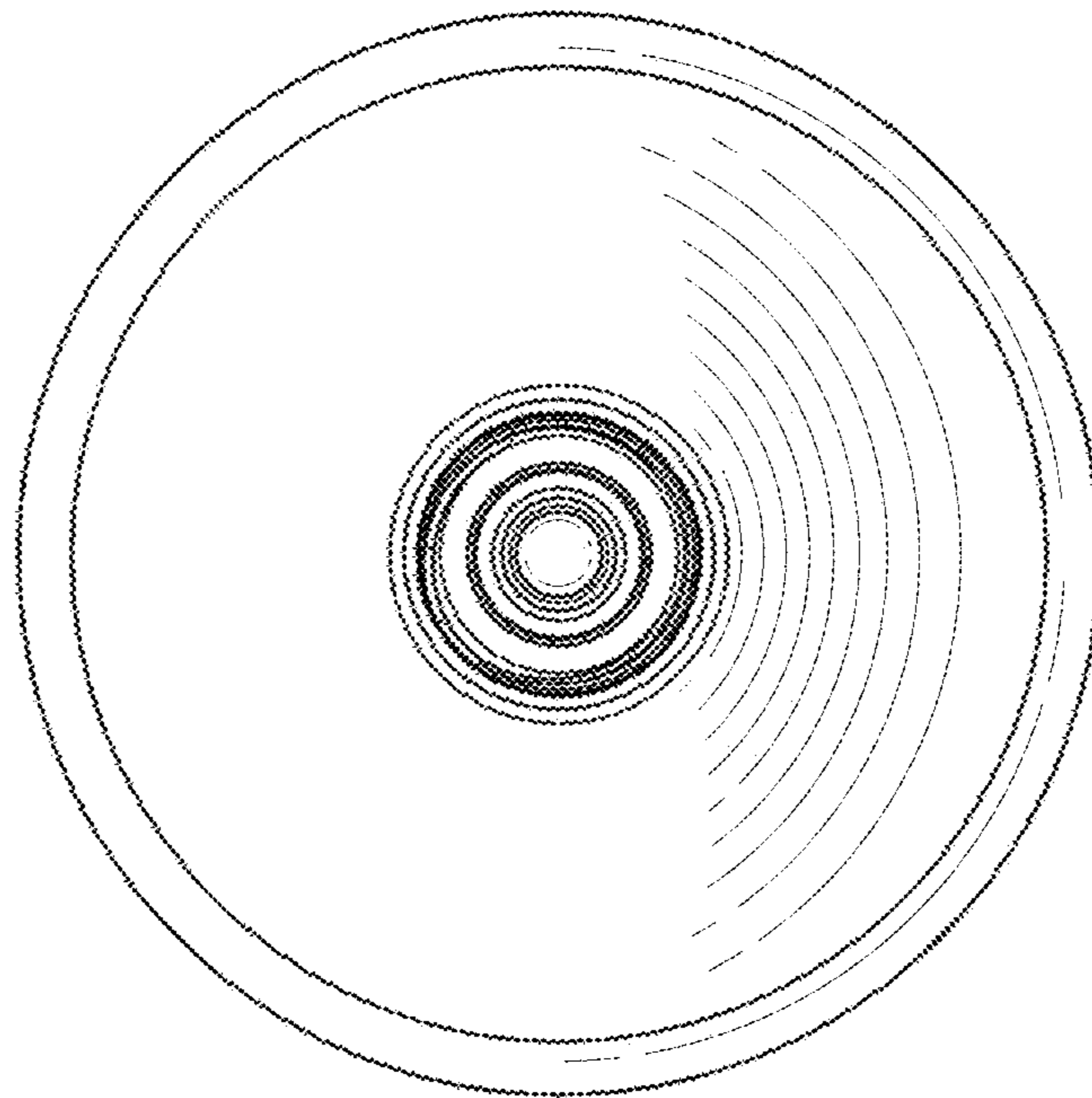


FIG. 12

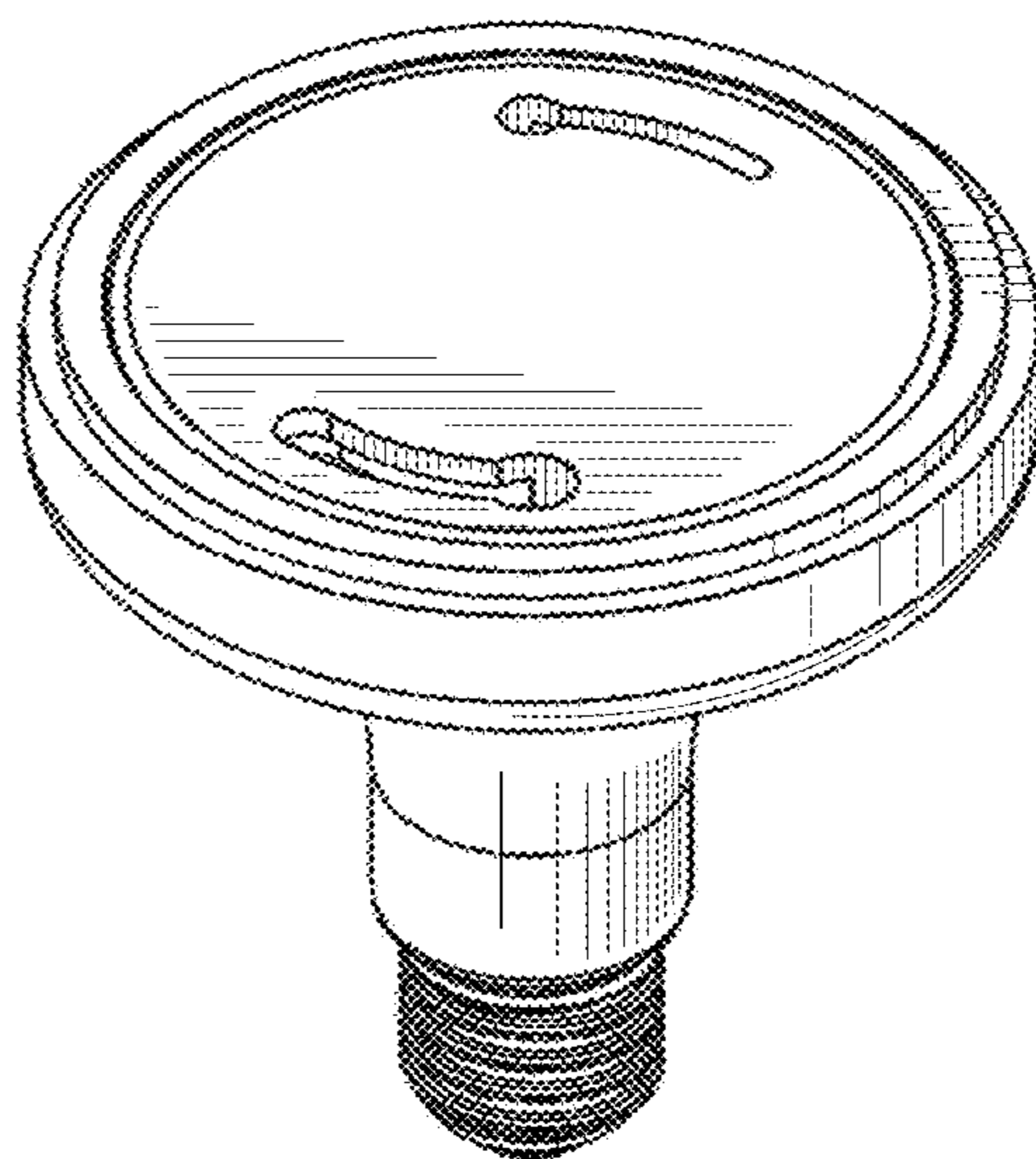


FIG. 13

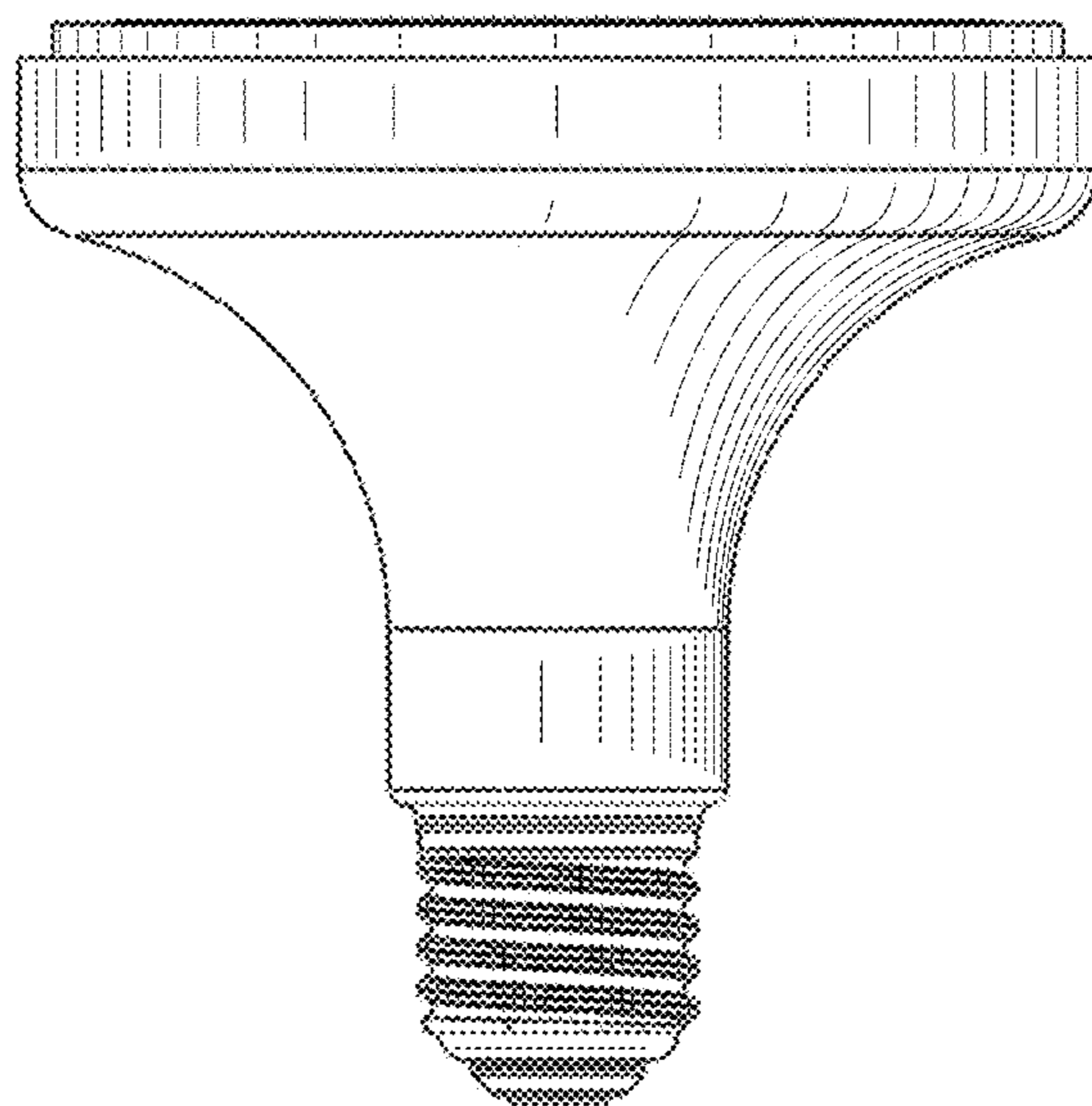


FIG. 14

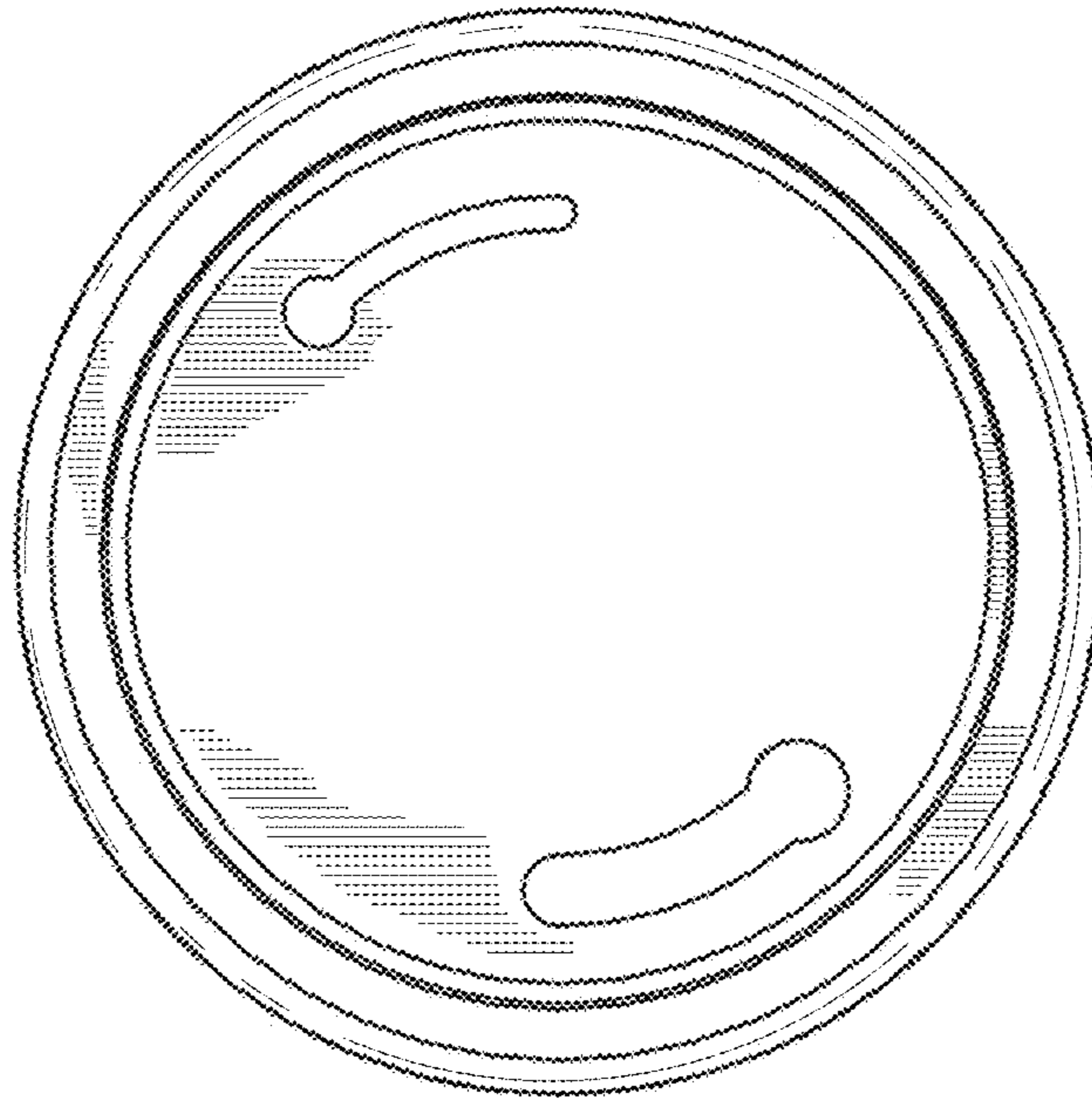


FIG. 15

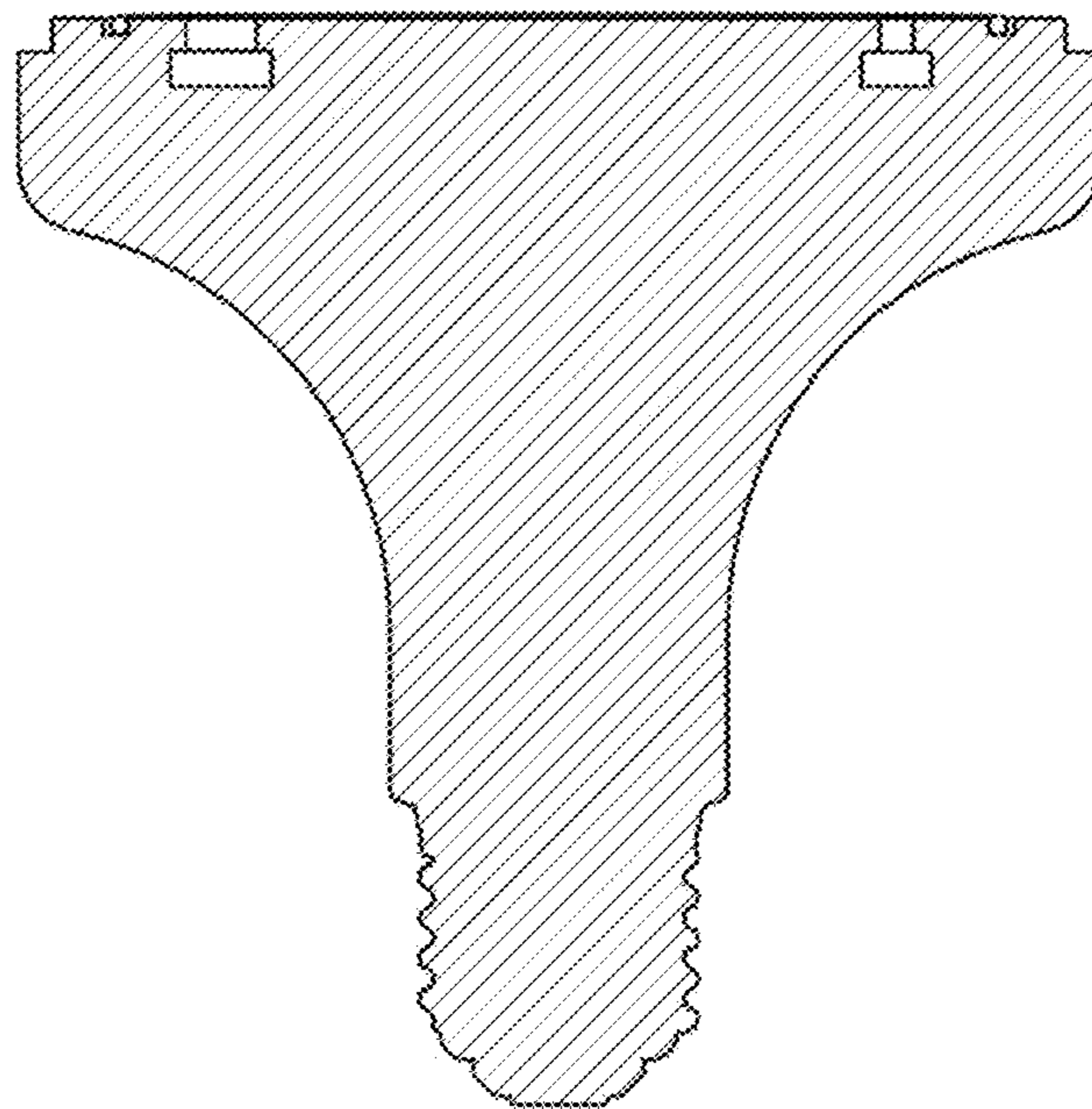


FIG. 16

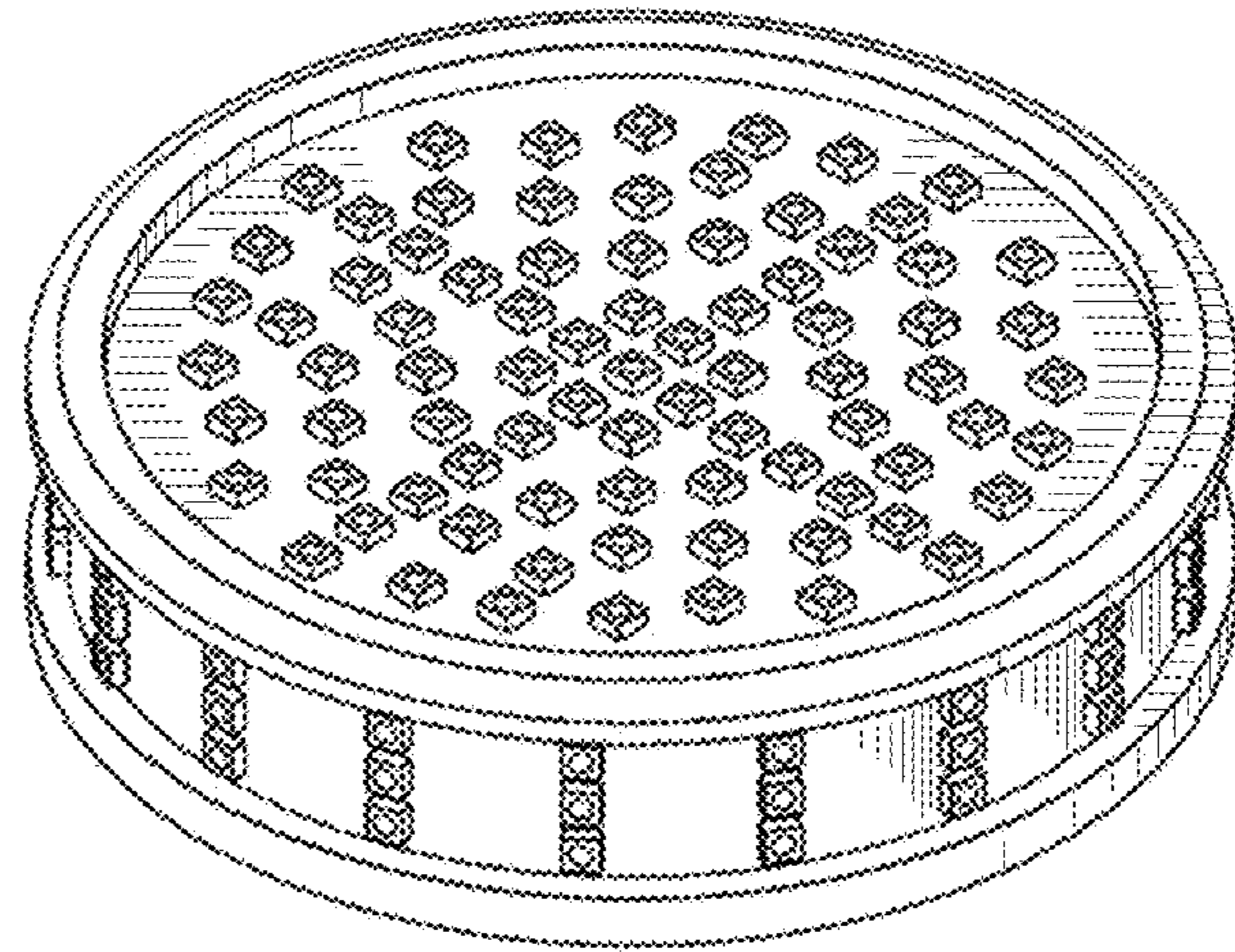


FIG. 17

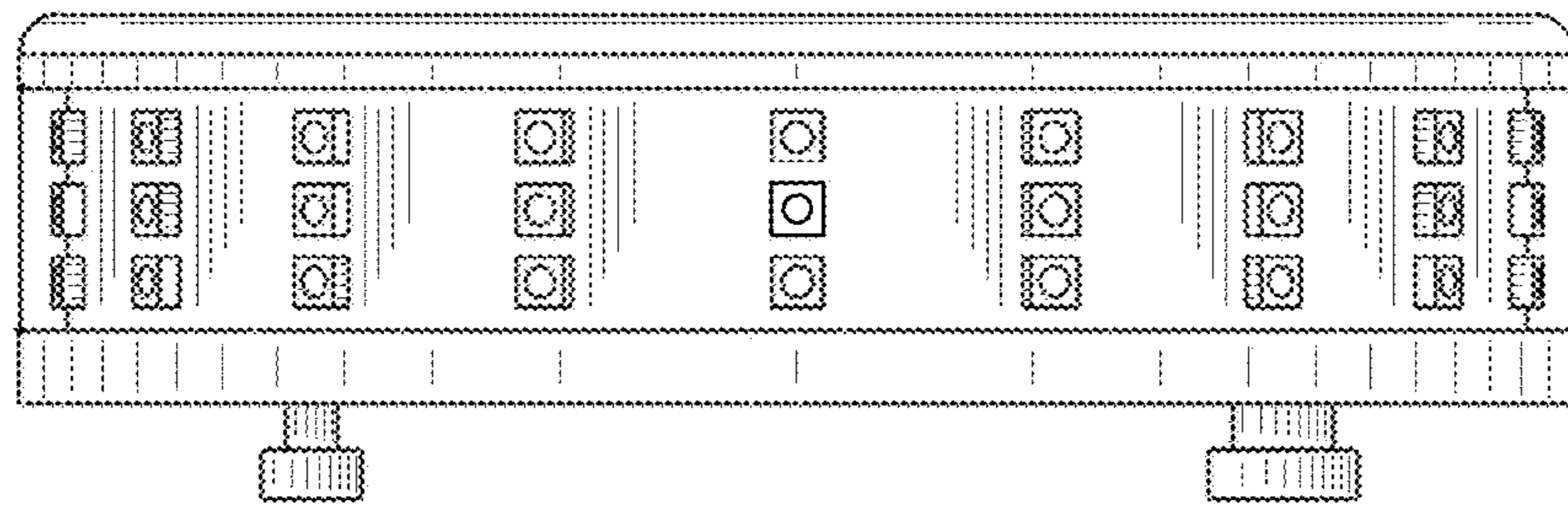


FIG. 18

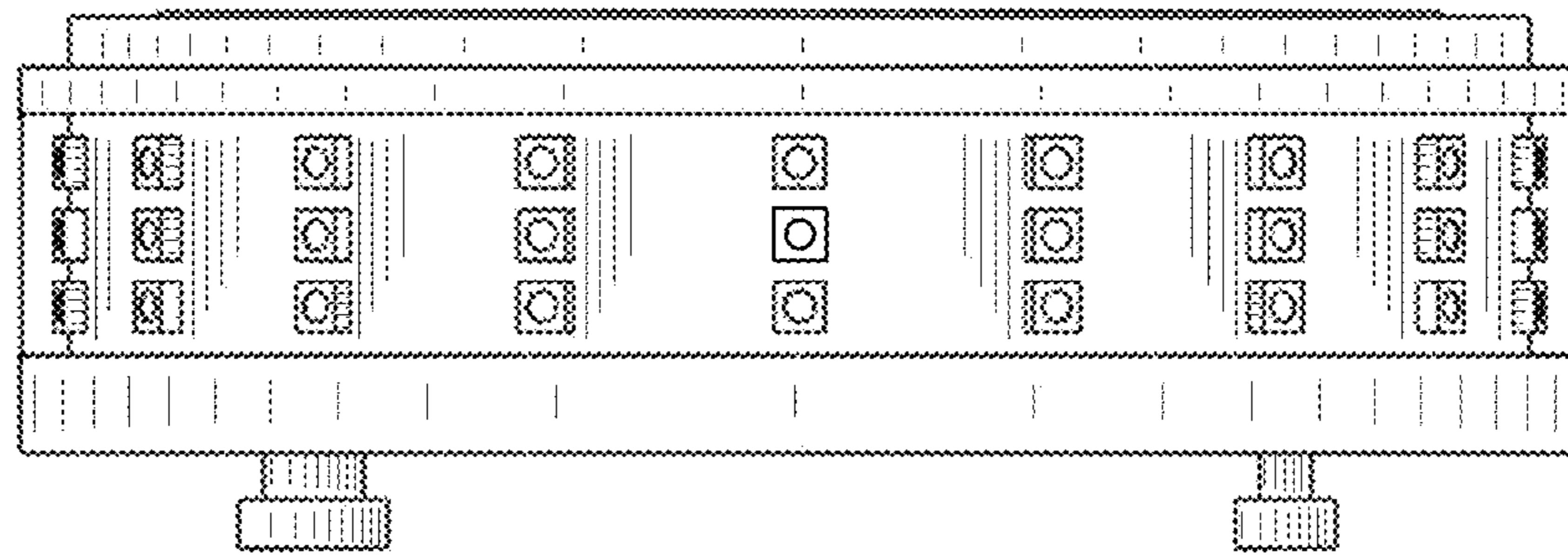


FIG. 19

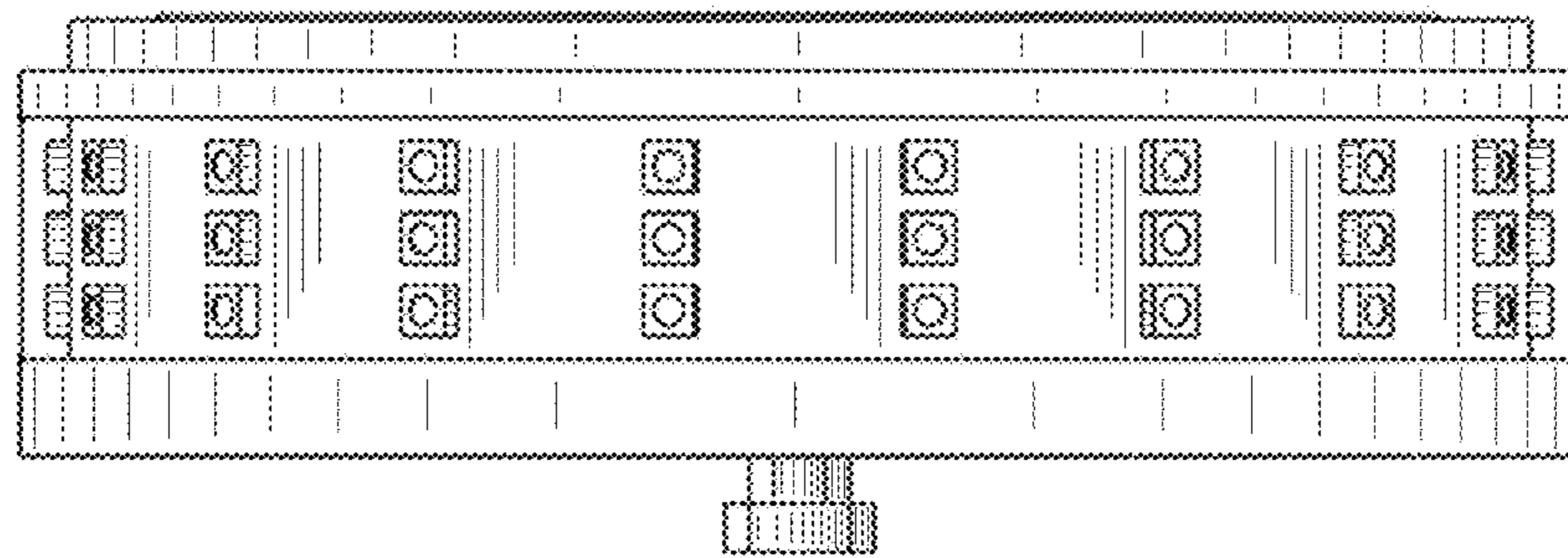


FIG. 20

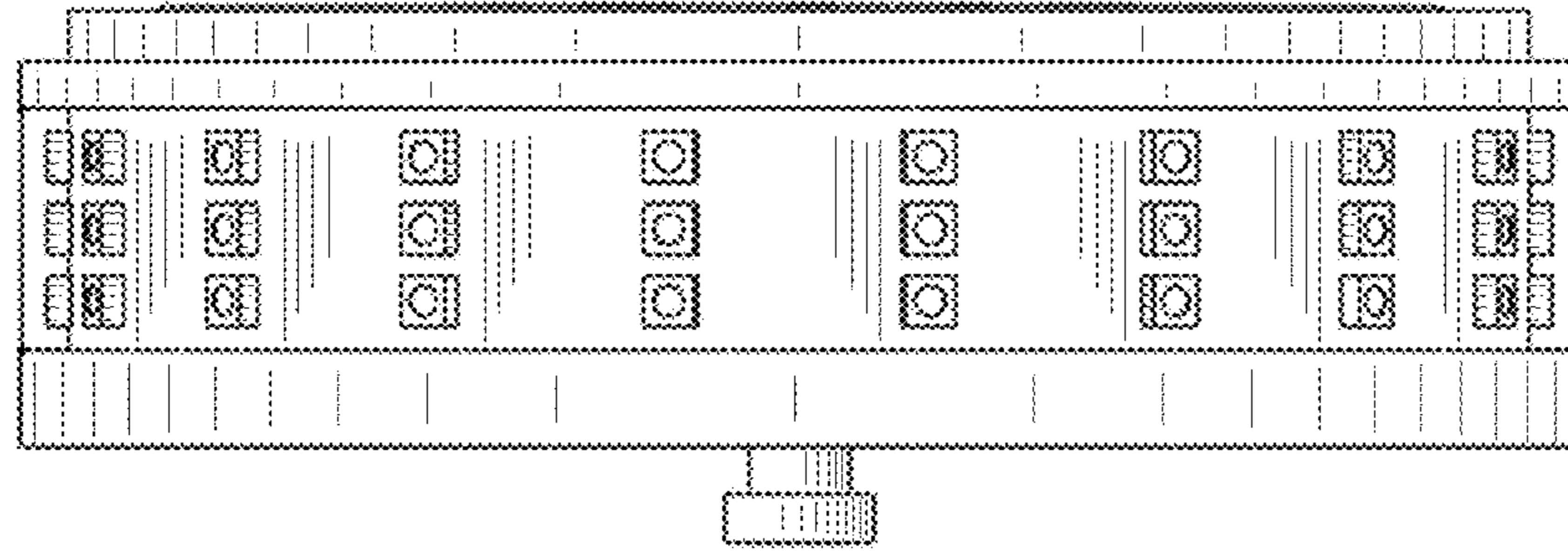


FIG. 21

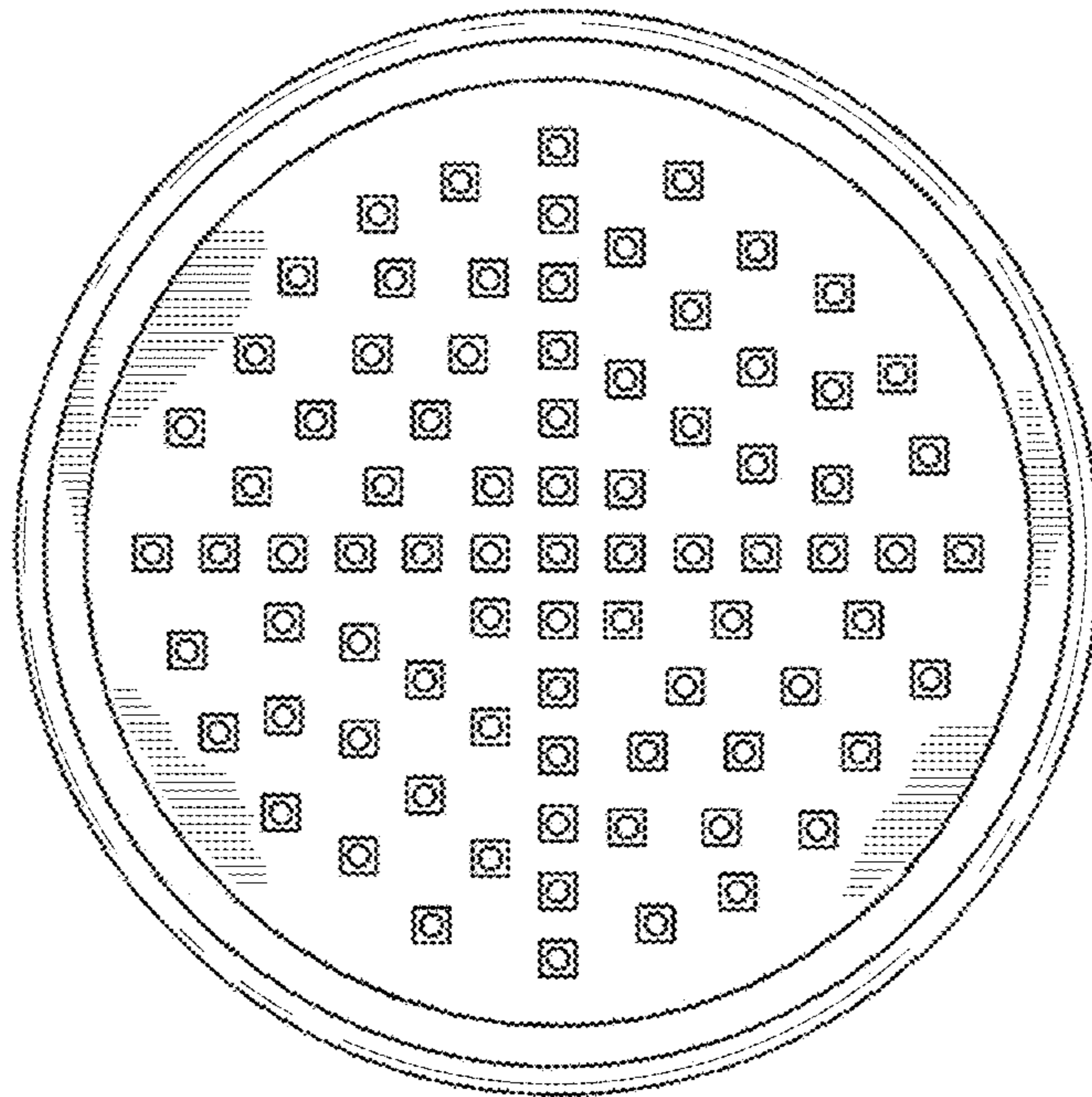


FIG. 22

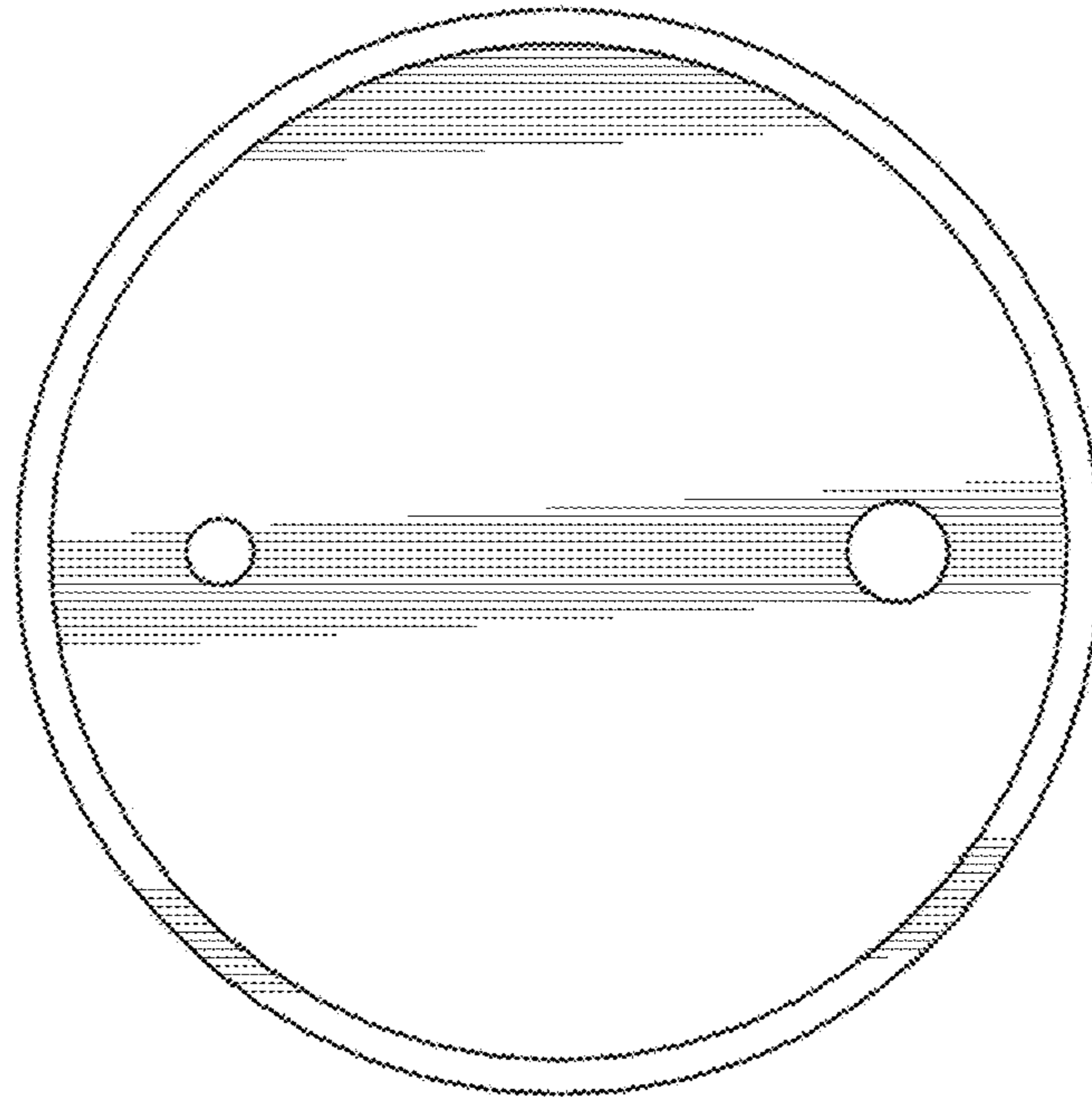


FIG. 23

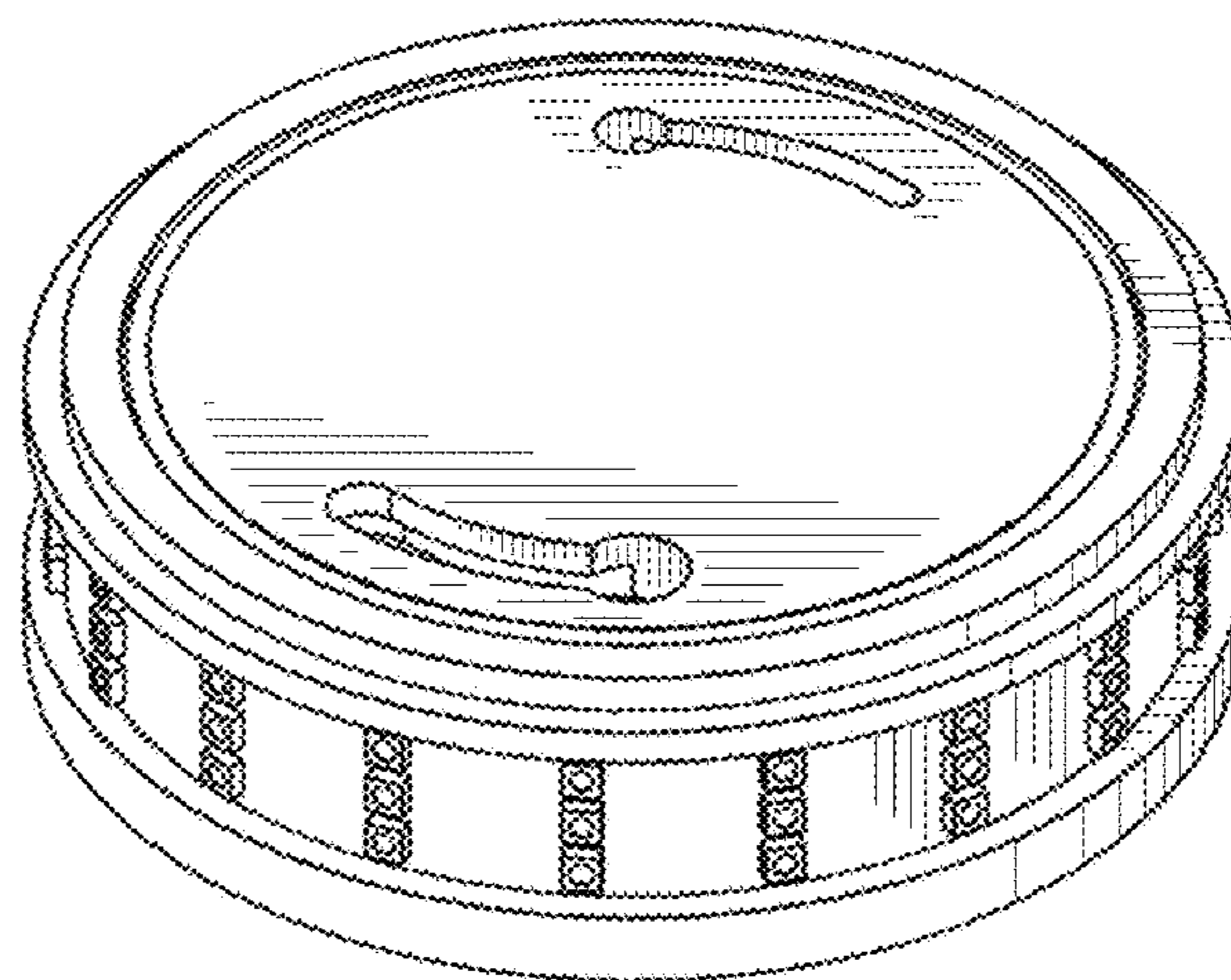


FIG. 24

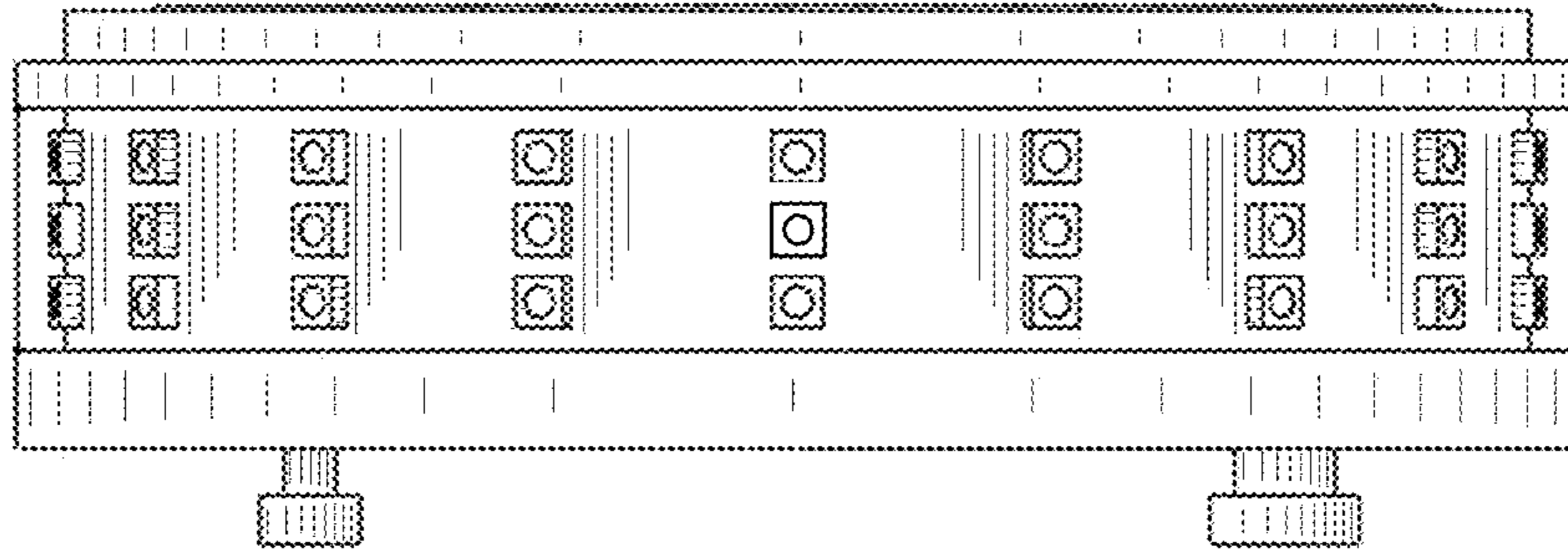


FIG. 25

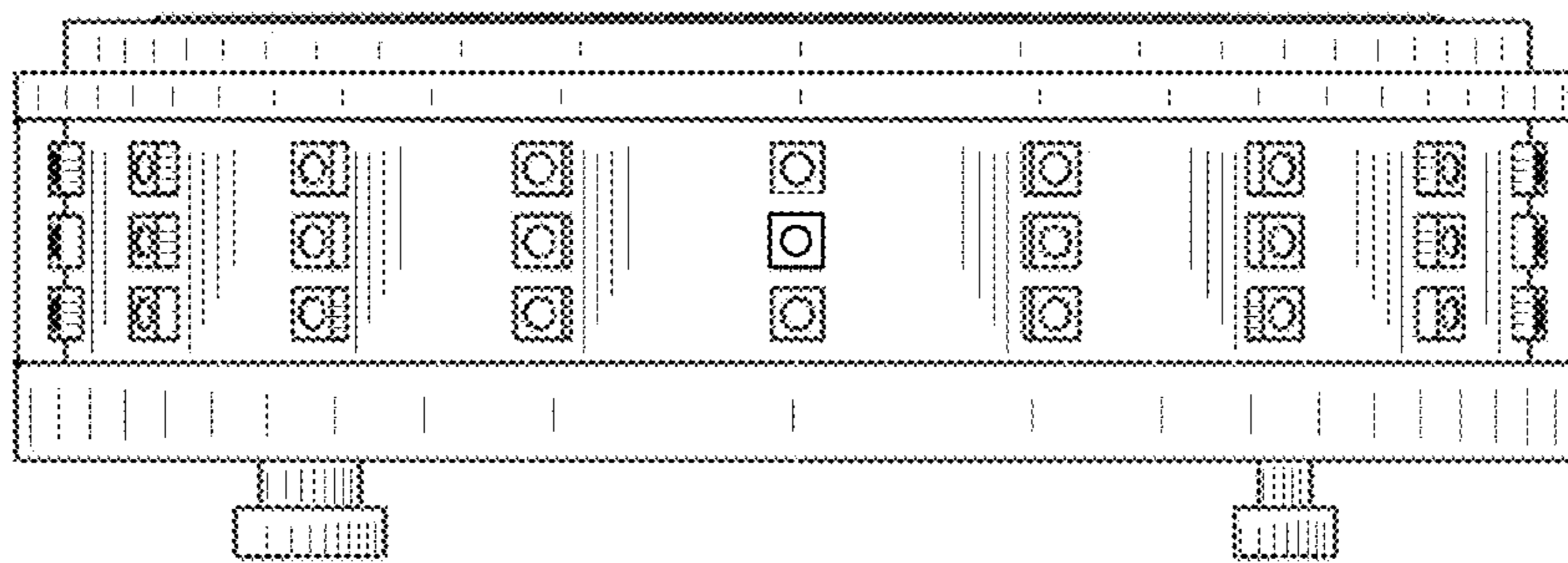


FIG. 26

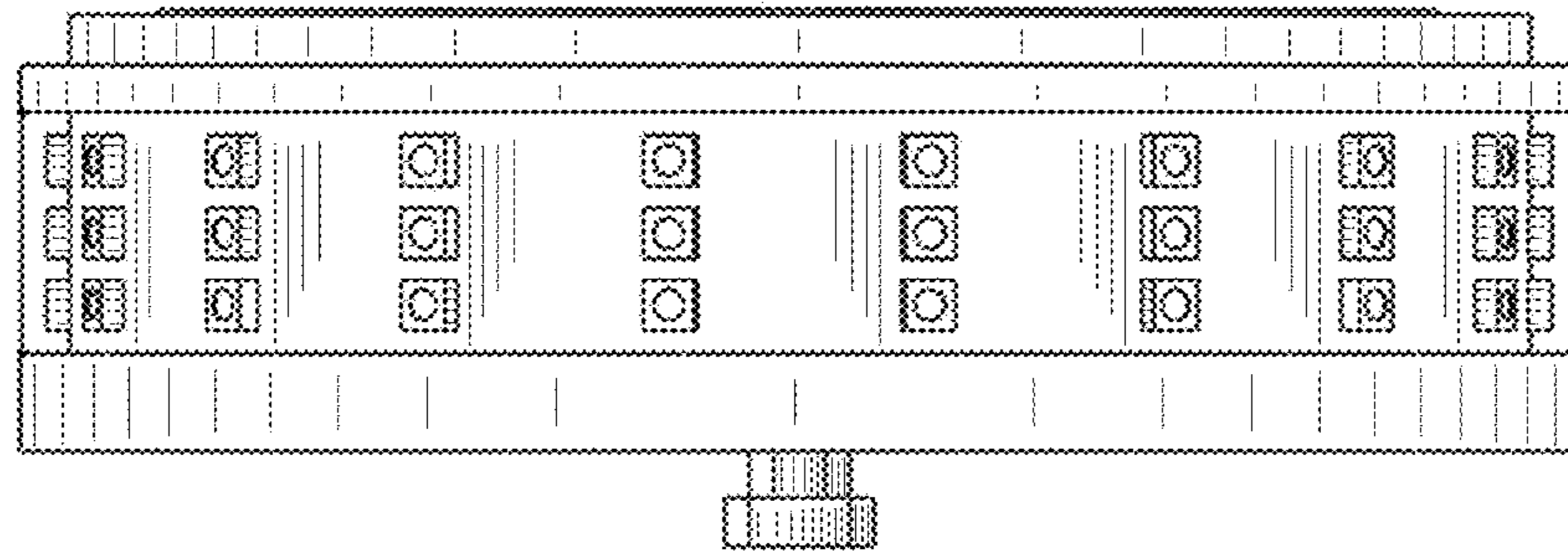


FIG. 27

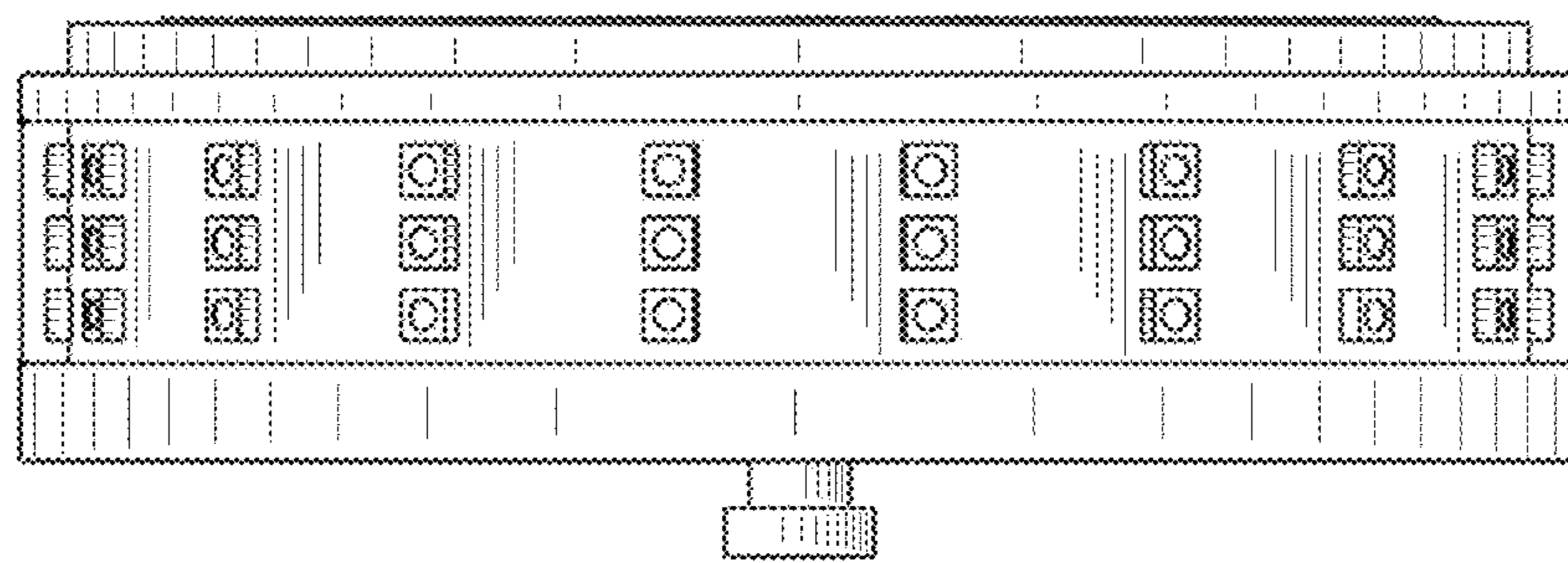


FIG. 28

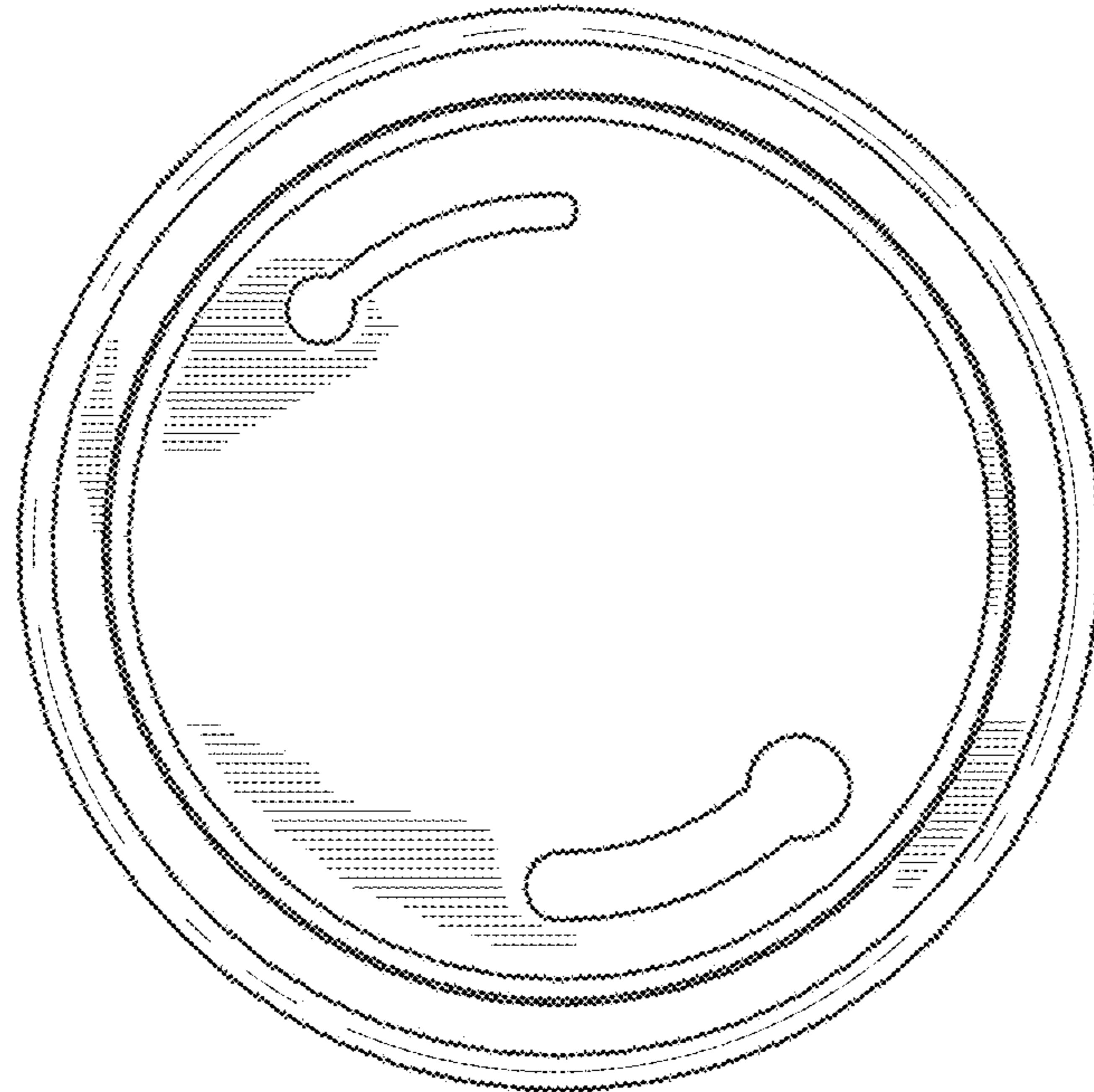


FIG. 29

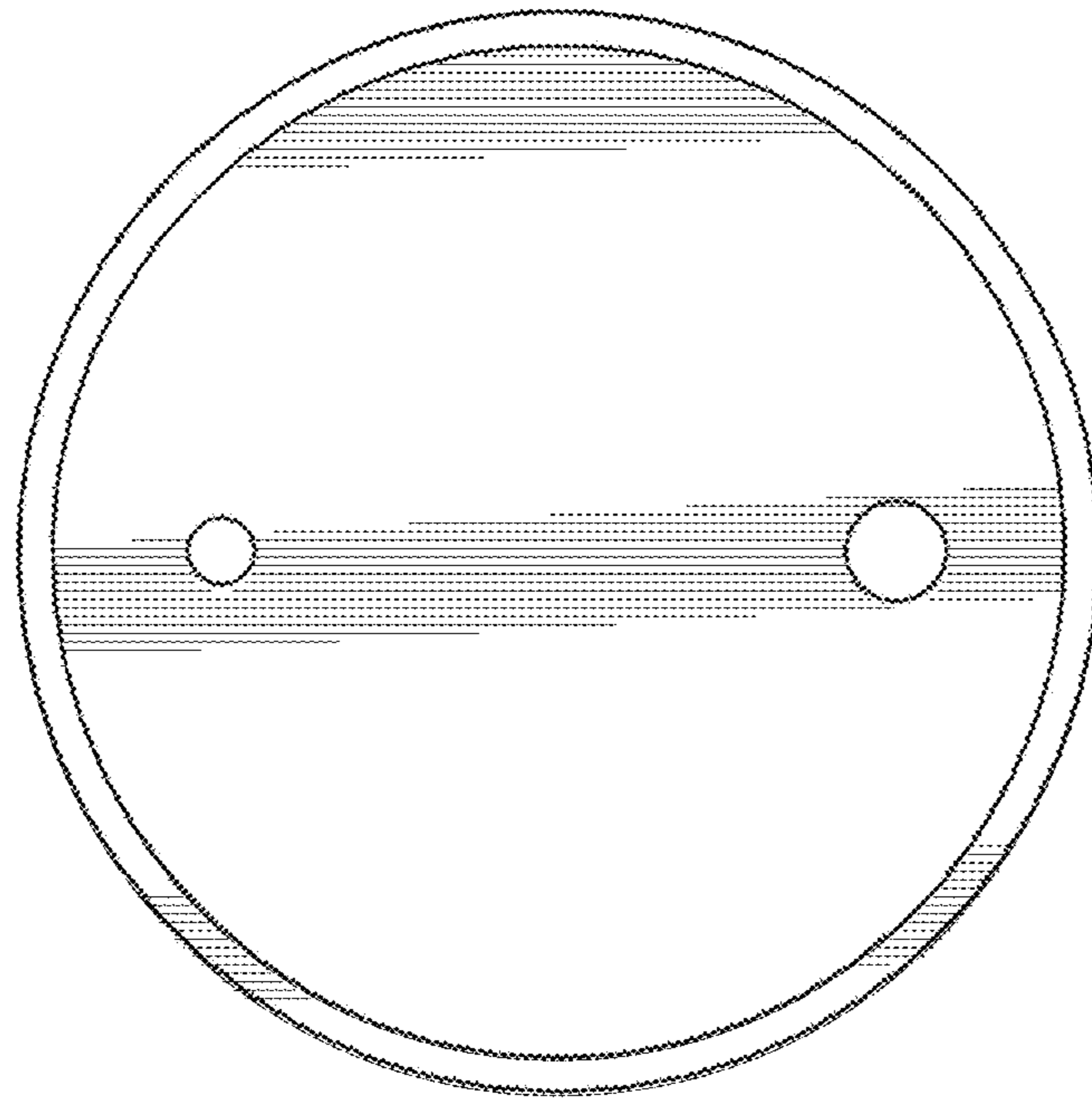


FIG. 30

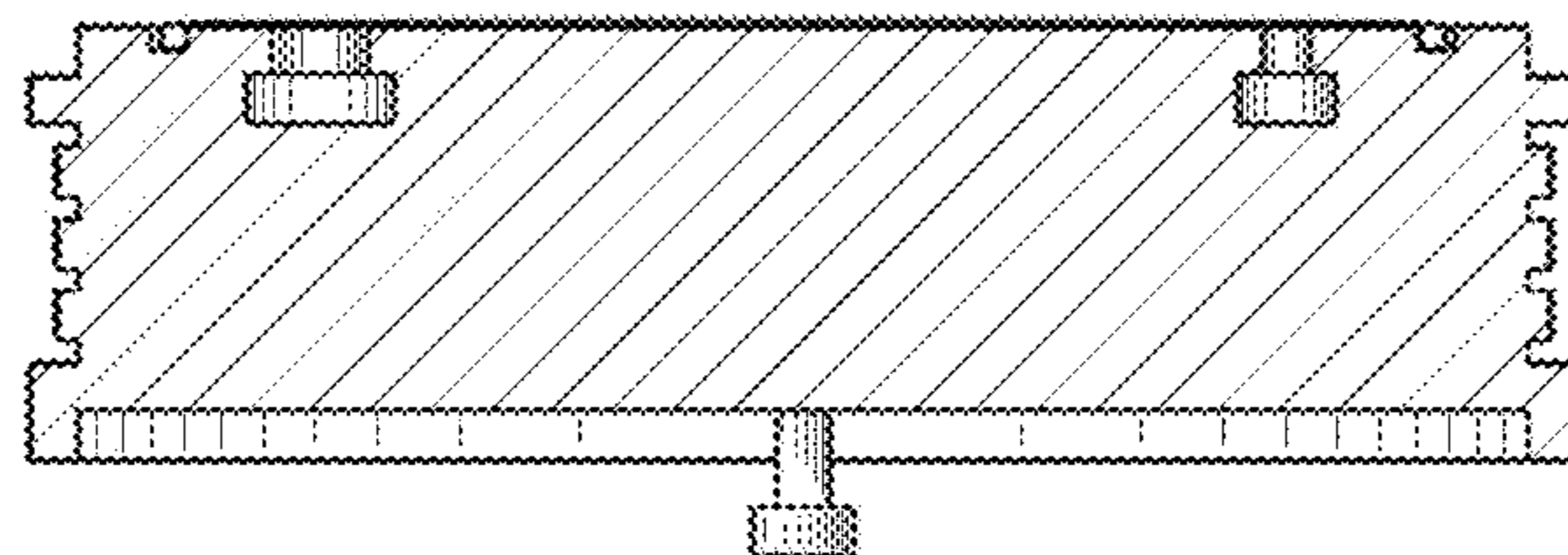


FIG. 31

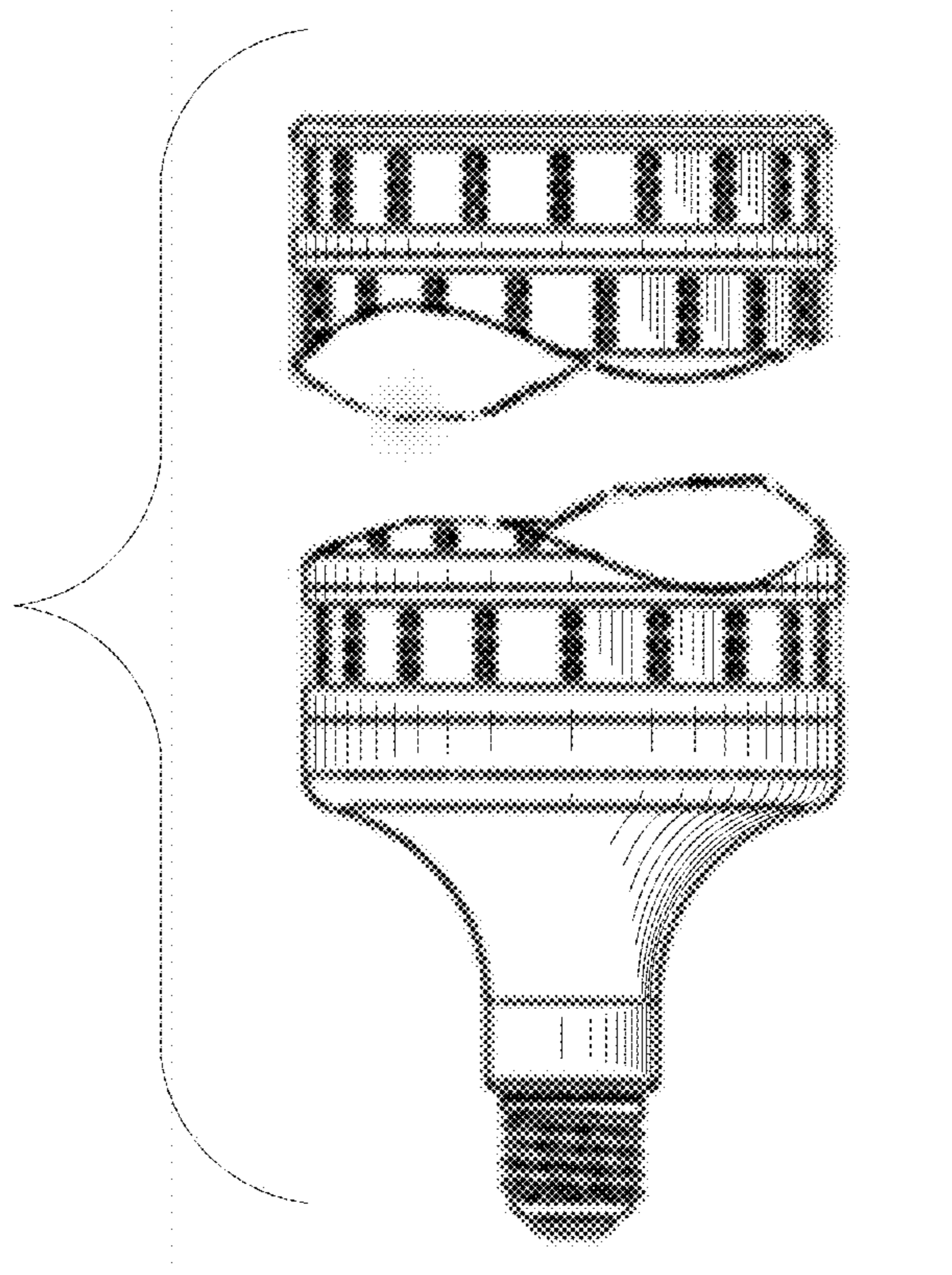


FIG. 32

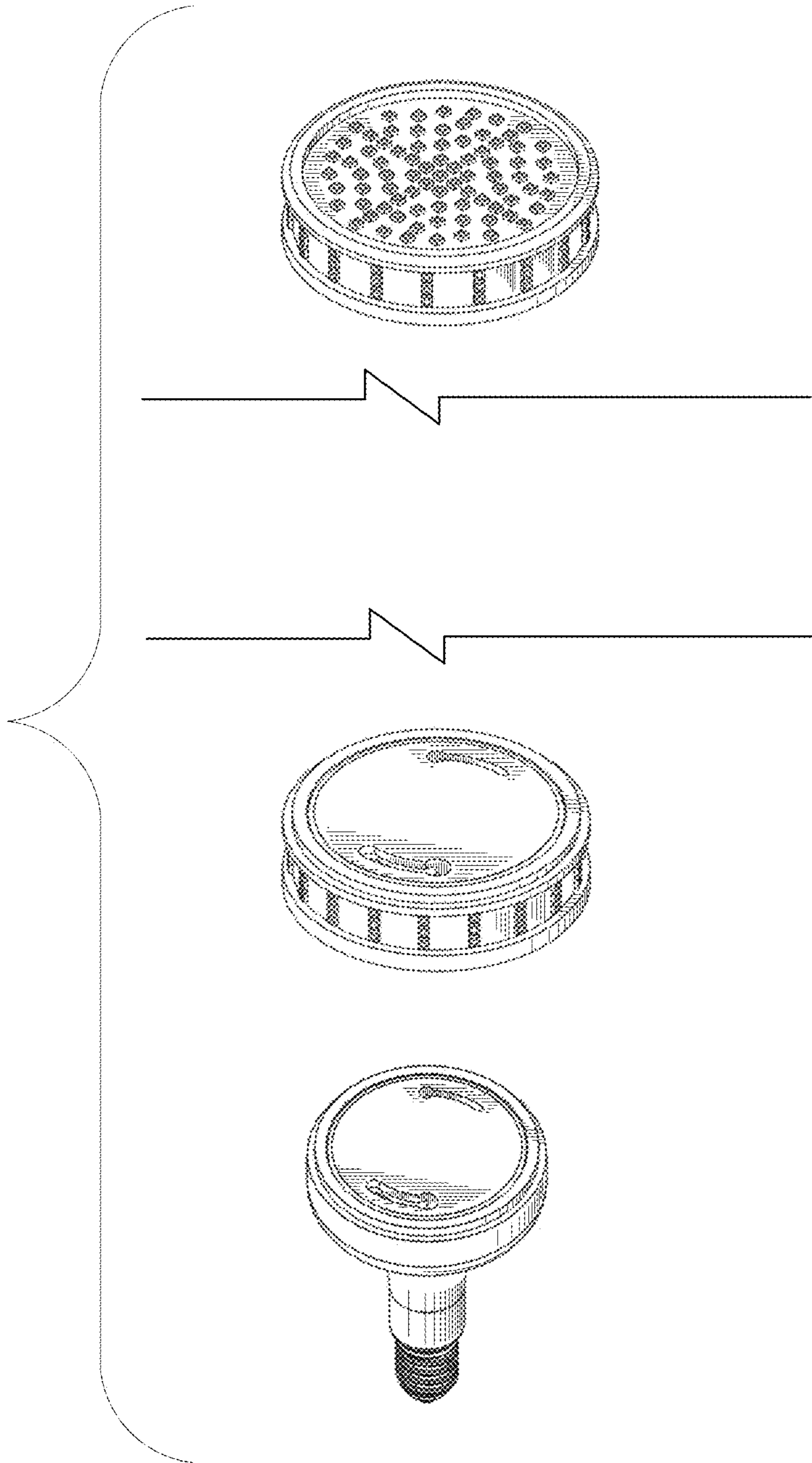


FIG. 33

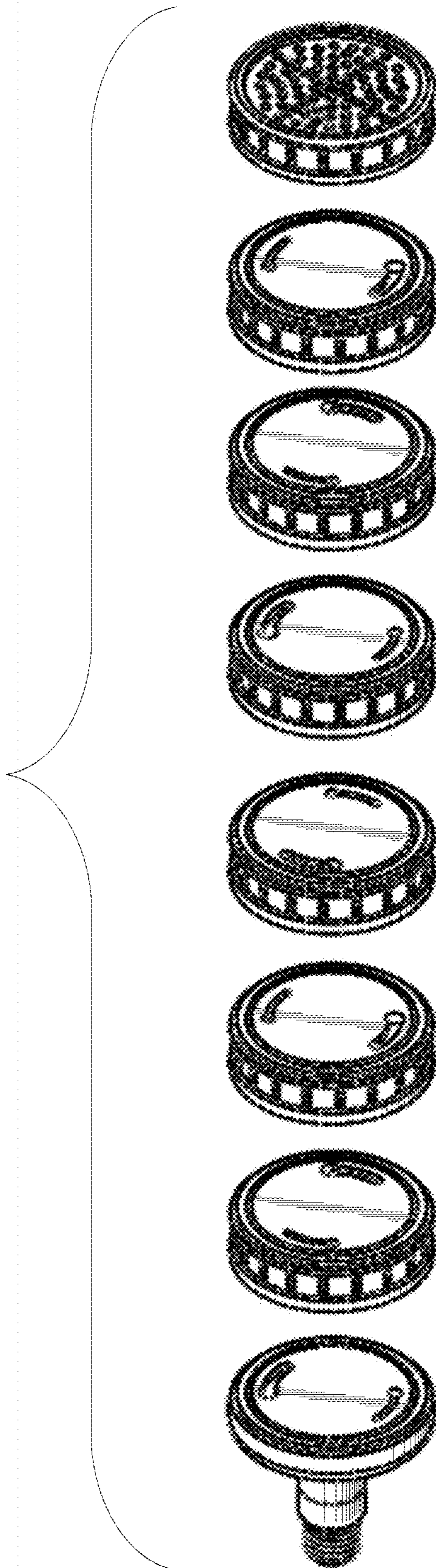


FIG. 34