



US00D878635S

(12) **United States Design Patent**
Honeycutt

(10) **Patent No.:** **US D878,635 S**
(45) **Date of Patent:** **** *Mar. 17, 2020**

- (54) **PLATFORM SYSTEM**
- (71) Applicant: **Safe Rack LLC**, Andrews, SC (US)
- (72) Inventor: **Robert W. Honeycutt**, Pawleys Island, SC (US)
- (73) Assignee: **Safe Rack LLC**, Andrews, SC (US)
- (*) Notice: This patent is subject to a terminal disclaimer.
- (**) Term: **15 Years**
- (21) Appl. No.: **29/668,360**
- (22) Filed: **Oct. 30, 2018**

- 7,500,335 B1 * 3/2009 Kjose E04H 3/28
52/182
- D596,317 S * 7/2009 Favell D25/62
- D602,603 S * 10/2009 Masser D25/68
- D664,270 S * 7/2012 Curtin D25/152
- D685,926 S * 7/2013 Kim D25/152
- D737,464 S * 8/2015 Edlington D25/62
- D785,206 S * 4/2017 Ramphos D25/66

* cited by examiner

Primary Examiner — Gino Colan

(74) *Attorney, Agent, or Firm* — Nelson Mullins Riley & Scarborough, LLP

Related U.S. Application Data

- (63) Continuation of application No. 14/732,207, filed on Jun. 5, 2015, now Pat. No. 10,358,871, which is a continuation of application No. 13/184,499, filed on Jul. 16, 2011, now abandoned.
- (51) **LOC (12) Cl.** **25-04**
- (52) **U.S. Cl.**
USPC **D25/68**
- (58) **Field of Classification Search**
USPC D25/38.1, 62, 63, 66, 68, 152, 156, 157, D25/158, 119, 35, 32, 138, 155, 142, 127, D25/133, 41.1; 182/128, 115, 112, 116, 182/102, 123, 130, 150, 84, 88; 52/7, 87, 52/634, 650.3, 630; 211/153, 134, 150, 211/90.01, 119.03, 195; D30/119
CPC E04H 3/28; E04H 3/24; E04H 3/26; B63B 25/18; E04B 1/003; E04B 1/34321; E04B 1/34384; E04B 5/02
See application file for complete search history.

References Cited

U.S. PATENT DOCUMENTS

- D350,613 S * 9/1994 Fahy, Jr. D25/138
- D406,363 S * 3/1999 Molnar D25/156

(57) **CLAIM**

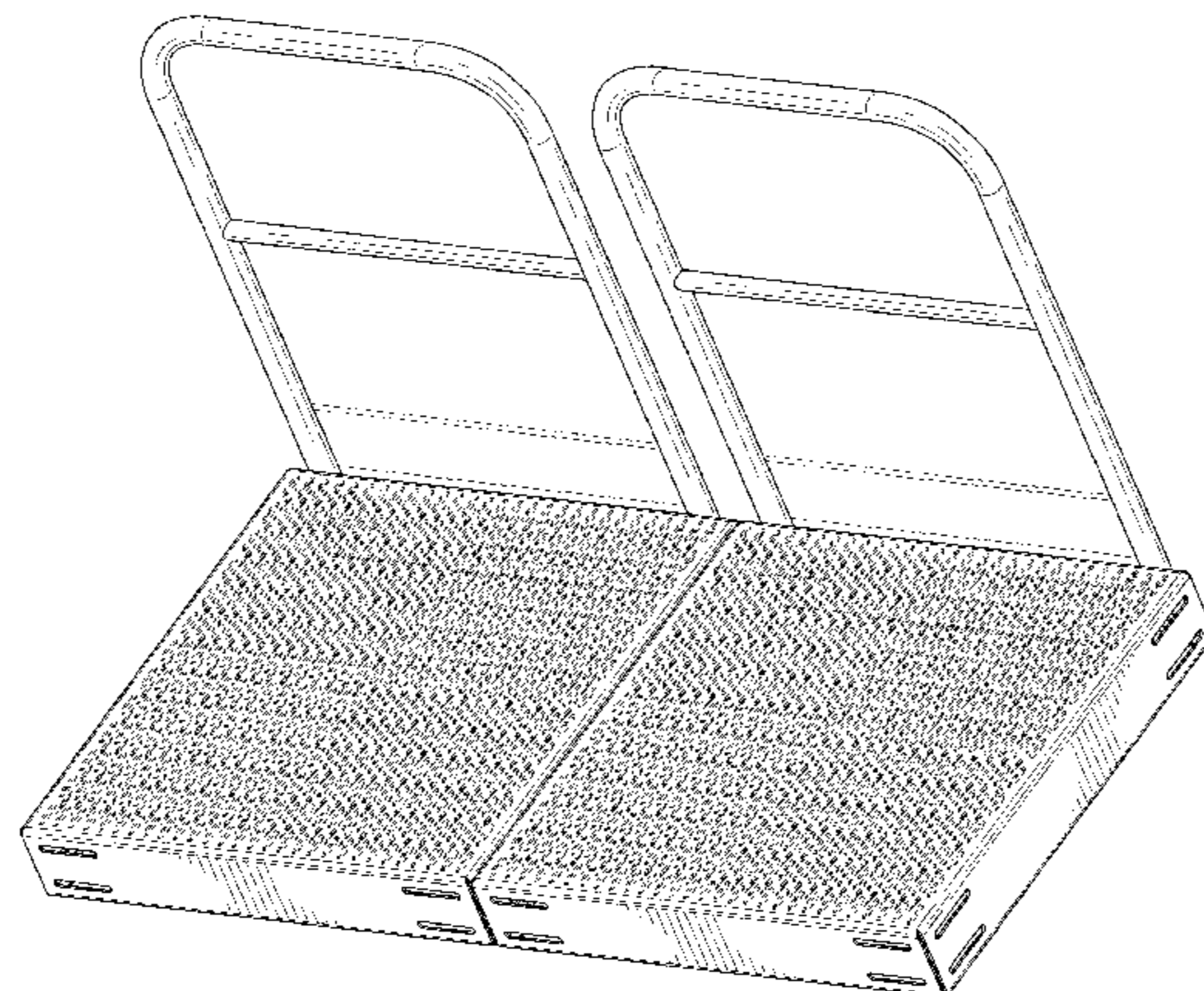
The ornamental design for a platform system, as shown and described.

DESCRIPTION

FIG. 1 is a perspective view of a platform system showing my new design;
 FIG. 2 is a front elevation view of the platform system of FIG. 1;
 FIG. 3 is a rear elevation view of the platform system of FIG. 1;
 FIG. 4 is a right side elevation view of the platform system of FIG. 1;
 FIG. 5 is a left side elevation view of the platform system of FIG. 1;
 FIG. 6 is a top plan view of the platform system of FIG. 1; and,
 FIG. 7 is a bottom plan view of the platform system of FIG. 1.

The broken lines showing the tread pattern and hand rail kick plate in the figures are included for the purpose of illustrating portions of the platform system which form no part of the claimed design.

1 Claim, 7 Drawing Sheets



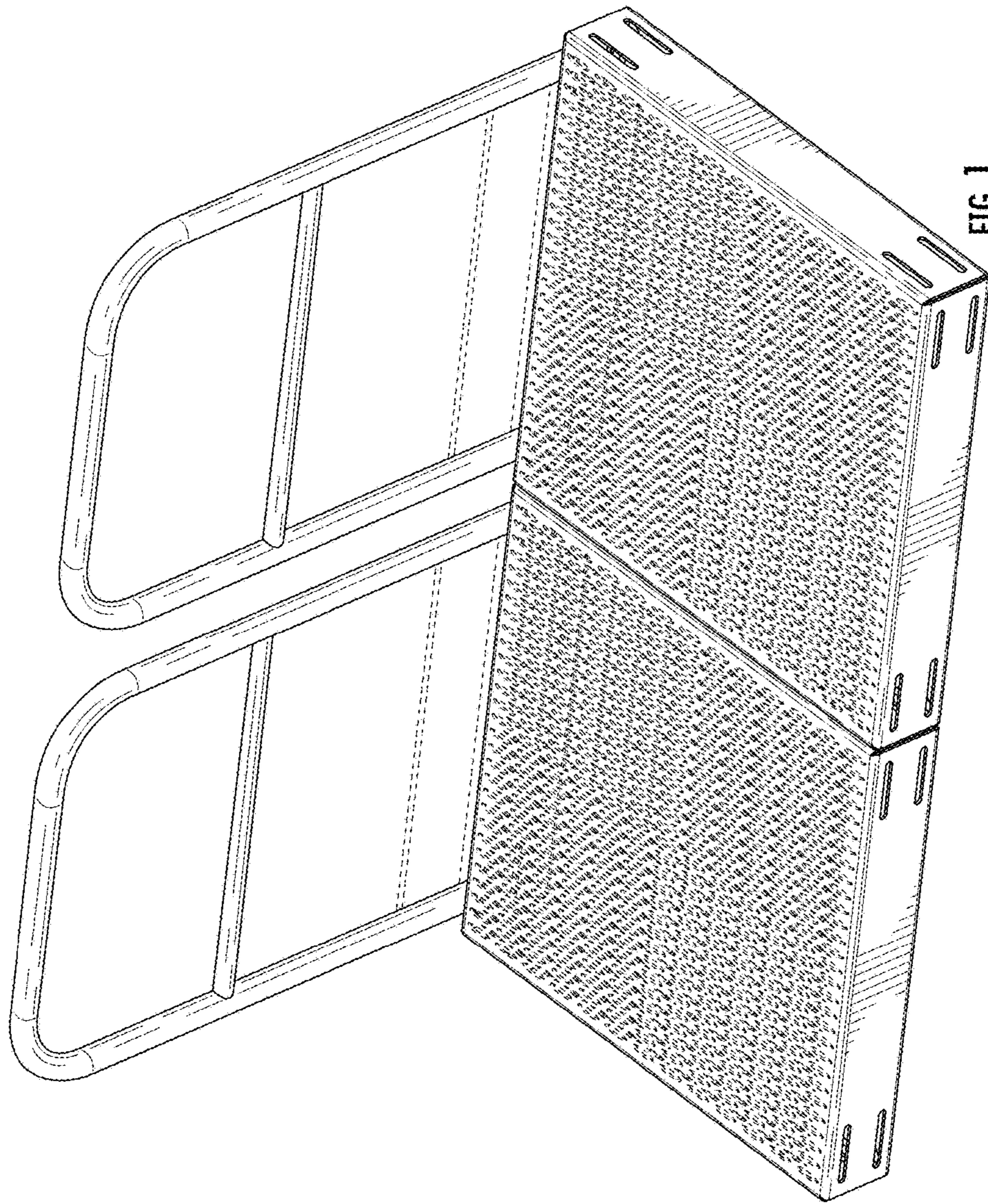


FIG. 1

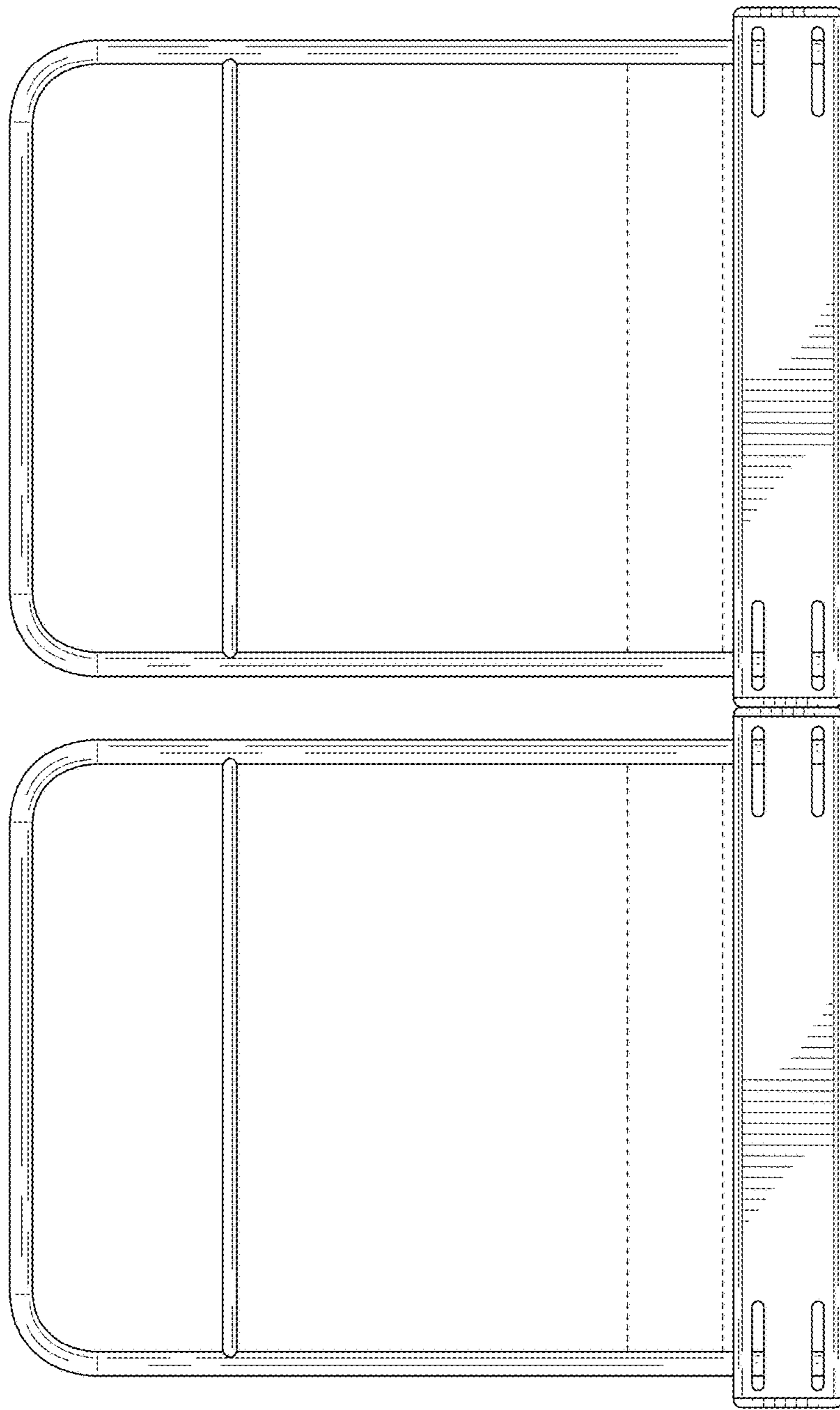


FIG. 2

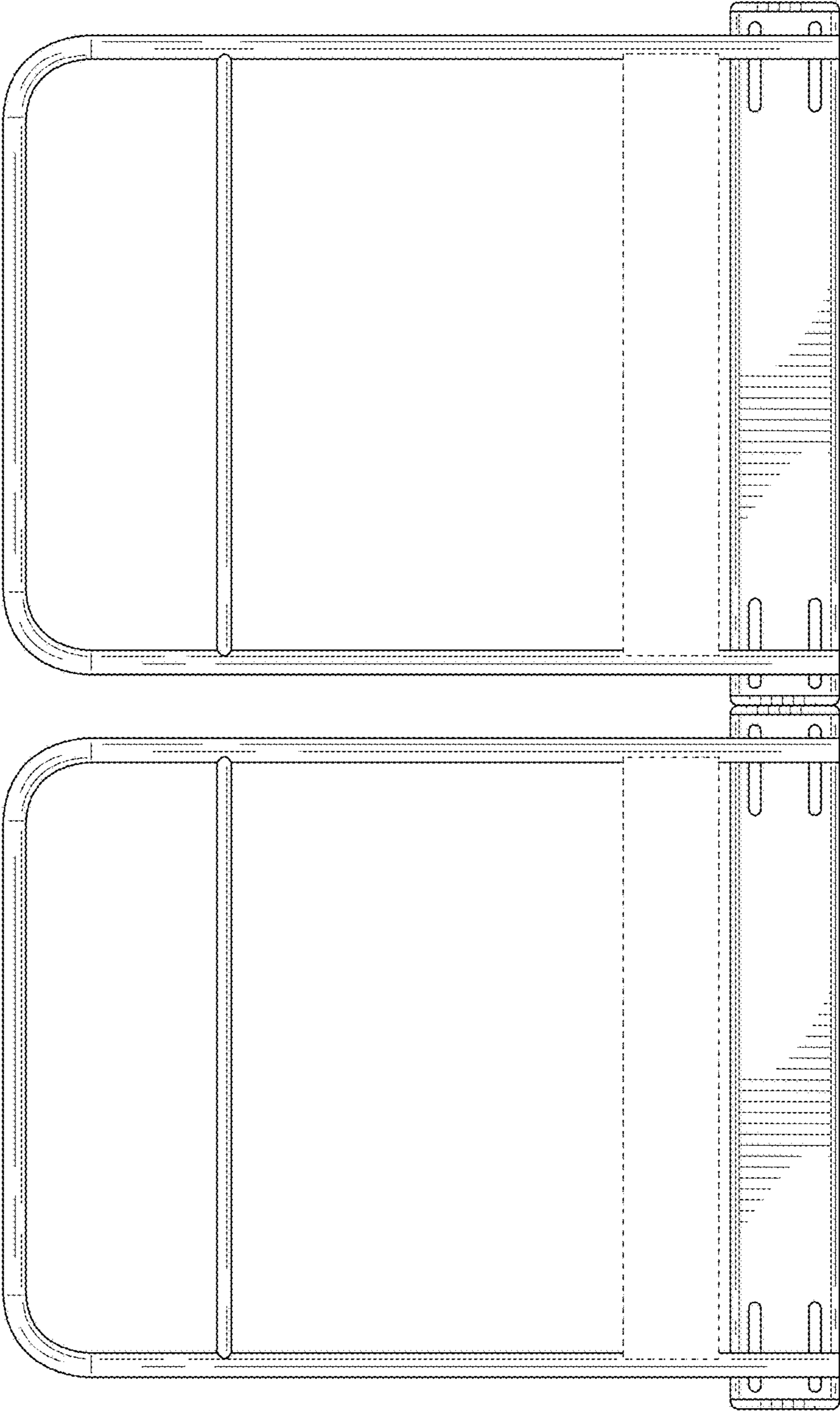


FIG. 3

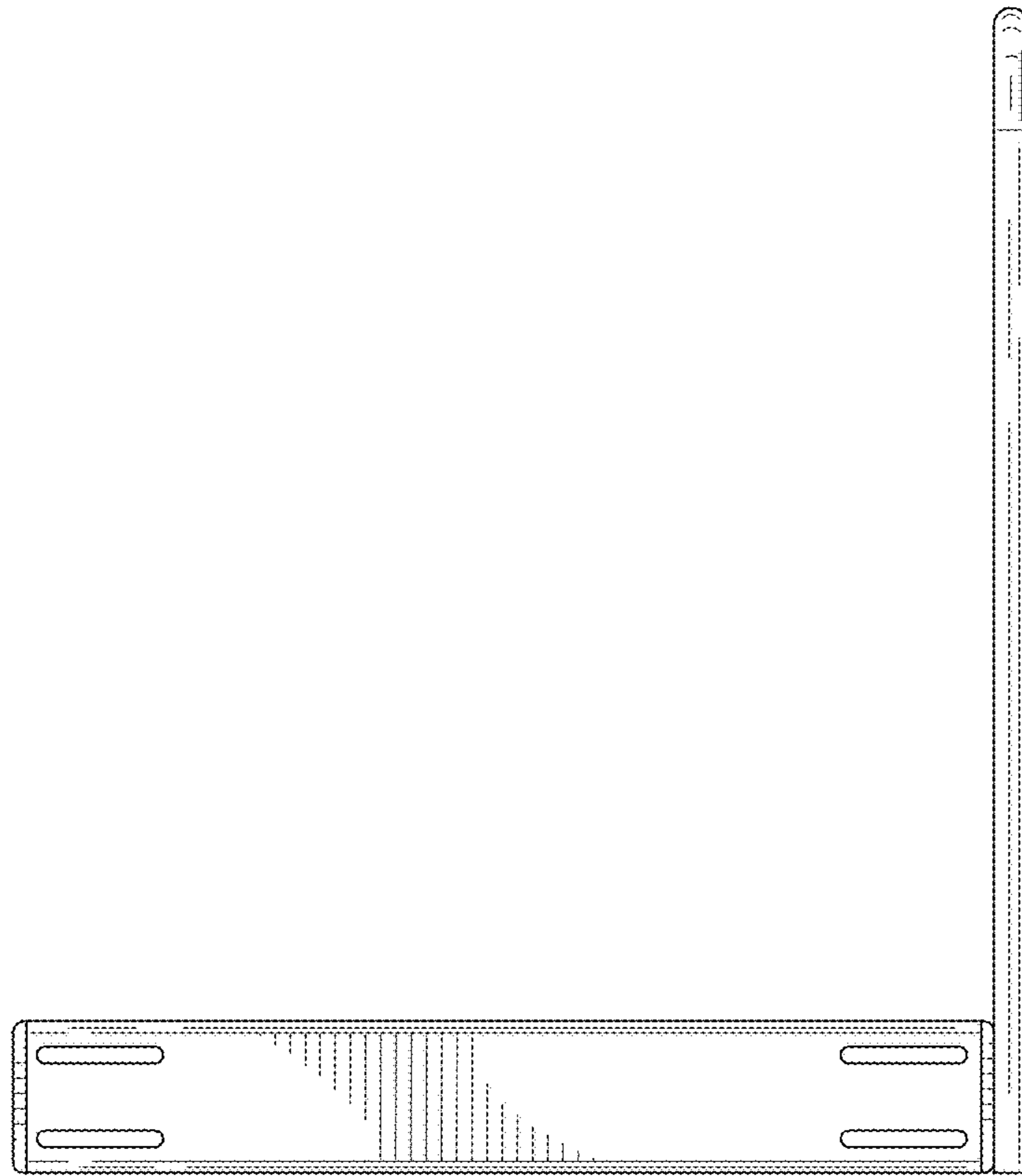


FIG. 4

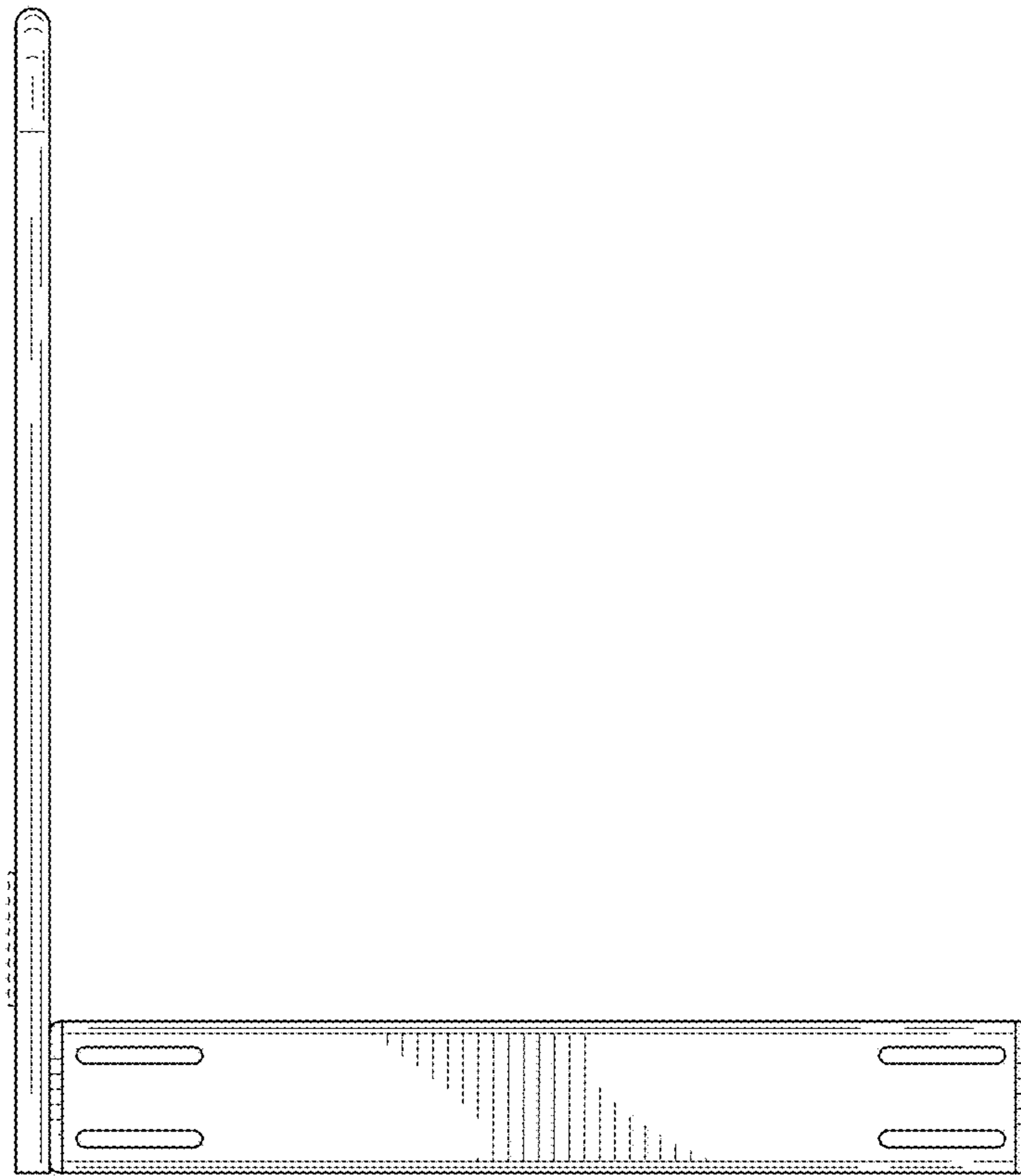


FIG. 5

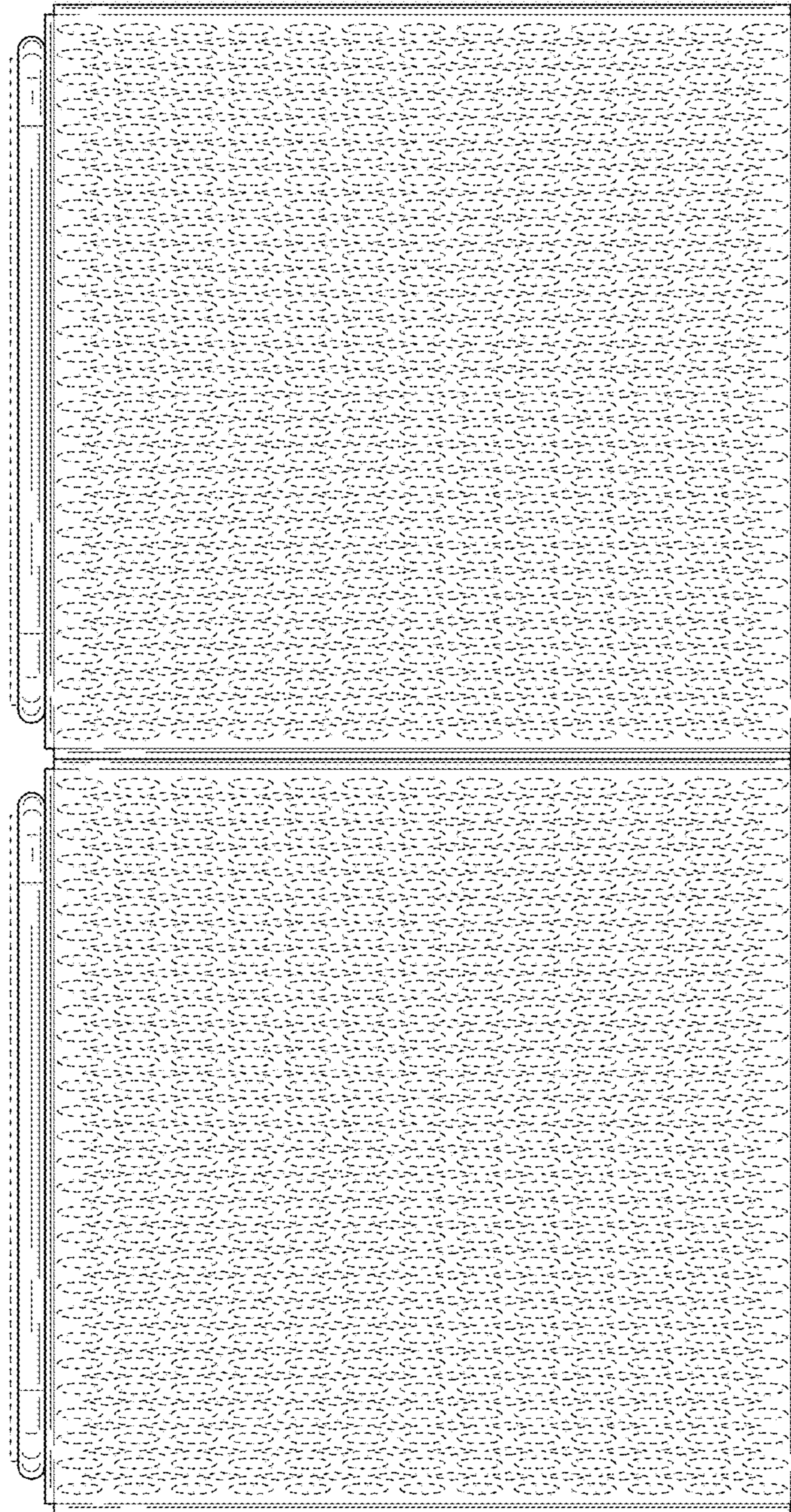


FIG. 6

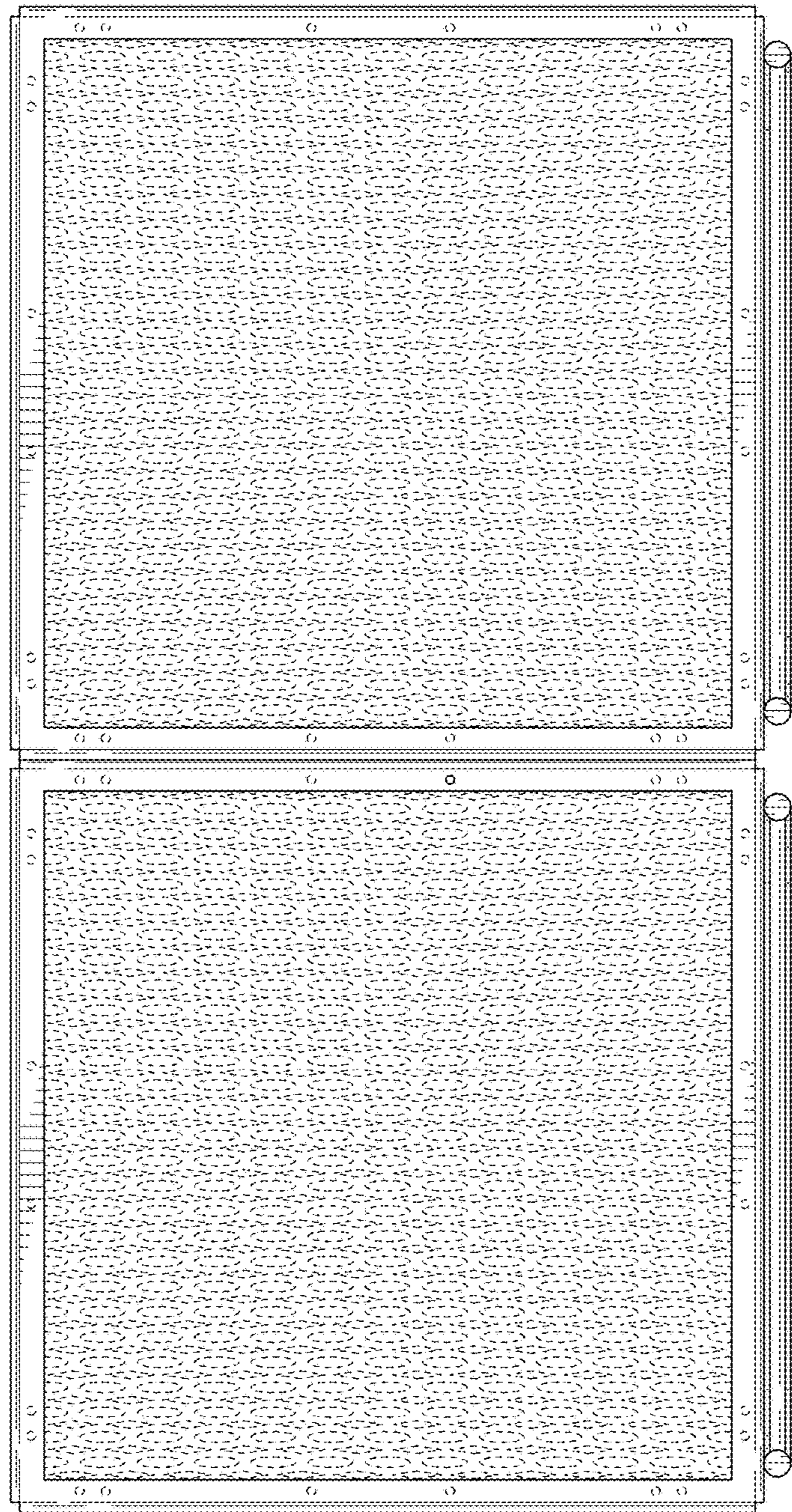


FIG. 7