



US00D878634S

(12) **United States Design Patent** (10) **Patent No.:** **US D878,634 S**
Collins (45) **Date of Patent:** **** Mar. 17, 2020**

(54) **MANHOLE SAFETY CROSS**
(71) Applicant: **Steven Collins**, Mesa, AZ (US)
(72) Inventor: **Steven Collins**, Mesa, AZ (US)
(73) Assignee: **Steven Collins**, Mesa, AZ (US)
(**) Term: **15 Years**

(21) Appl. No.: **29/647,441**
(22) Filed: **May 12, 2018**
(51) **LOC (12) Cl.** **25-02**
(52) **U.S. Cl.**
USPC **D25/36; D25/199**
(58) **Field of Classification Search**
USPC D8/354, 363; D25/36, 62, 127, 199;
D29/100, 124
CPC E02D 29/12; E02D 29/127
See application file for complete search history.

(56) **References Cited**

U.S. PATENT DOCUMENTS

D27,673 S * 9/1897 Greger D25/36
1,585,372 A * 5/1926 Burnham F16J 13/08
220/316
D225,459 S * 12/1972 Altobello D25/36
D225,460 S * 12/1972 Altobello D25/36
D246,384 S * 11/1977 Brown D25/36
D247,254 S * 2/1978 Brown D25/36
D371,410 S * 7/1996 Kupstas D21/698
D452,330 S * 12/2001 Johnston D25/61
D488,053 S * 4/2004 Murphy D25/131
D552,628 S * 10/2007 Lucas D15/21
D663,608 S * 7/2012 Ruperto D8/354
2003/0037489 A1 * 2/2003 McKernan E02D 29/127
49/63
2008/0289905 A1 * 11/2008 Pelsue A62B 1/04
182/236

2012/0297691 A1* 11/2012 Gaspar E02D 29/14
49/505
2013/0312338 A1* 11/2013 Gaspar E02D 29/12
52/19
2016/0168817 A1* 6/2016 Lokkinen E01F 13/02
404/6

FOREIGN PATENT DOCUMENTS

CN 304428214 * 12/2017
EM 000604640-0001 * 11/2006
JP D1638217 * 8/2019

OTHER PUBLICATIONS

Allegro Industries Twitter <https://twitter.com/allegroind> Posted Dec. 11, 2018 (Year: 2018).*
Manhole Safety Cross <https://www.manholesafetycross.com/> Available Oct. 19, 2018 (Year: 2018).*
Manhole-Safety-Cross Spec Sheet https://www.allegrosafety.com/wp-content/uploads/2018/11/9406-24A_9406-36A_9406-24_9406-30-Manhole-Safety-Cross.pdf Uploaded Nov. 2018 (Year: 2018).*

* cited by examiner

Primary Examiner — Leanne Was-Englehart

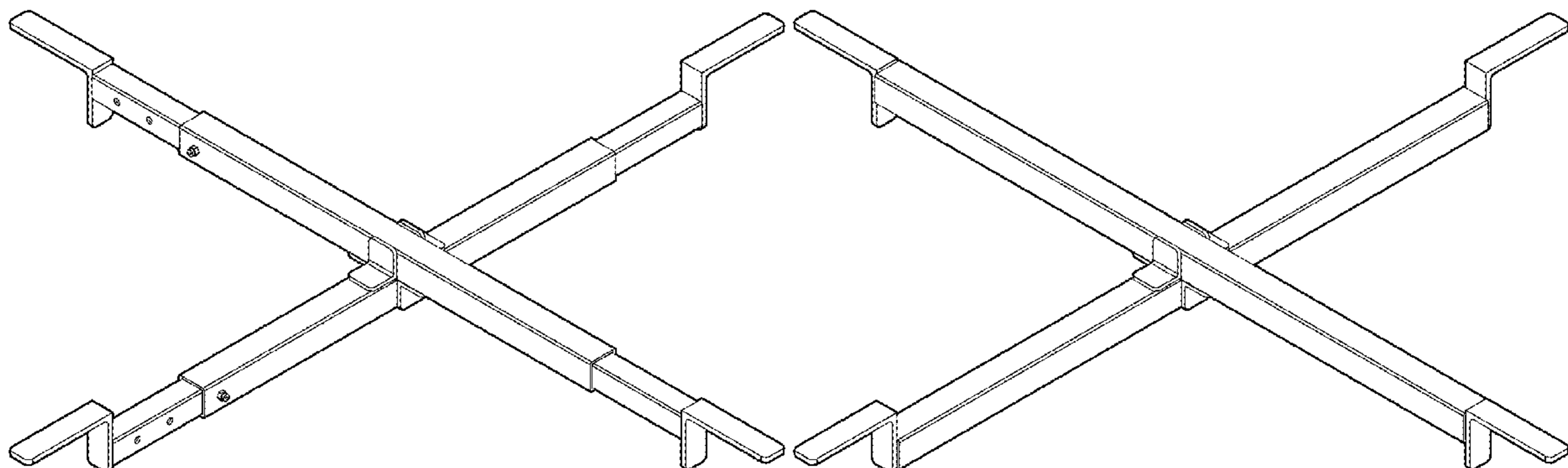
(57) **CLAIM**

I claim the ornamental design for a manhole safety cross, as shown.

DESCRIPTION

FIG. 1 is a side and top perspective view of a manhole safety cross showing my new design:
FIG. 2 is a bottom and side perspective view thereof:
FIG. 3 is a side view thereof:
FIG. 4 is a side view thereof:
FIG. 5 is a top view thereof:
FIG. 6 is a bottom view thereof:
FIG. 7 is a top and side perspective of a manhole safety cross; and,
FIG. 8 is a bottom and side perspective of a manhole safety cross.

1 Claim, 4 Drawing Sheets



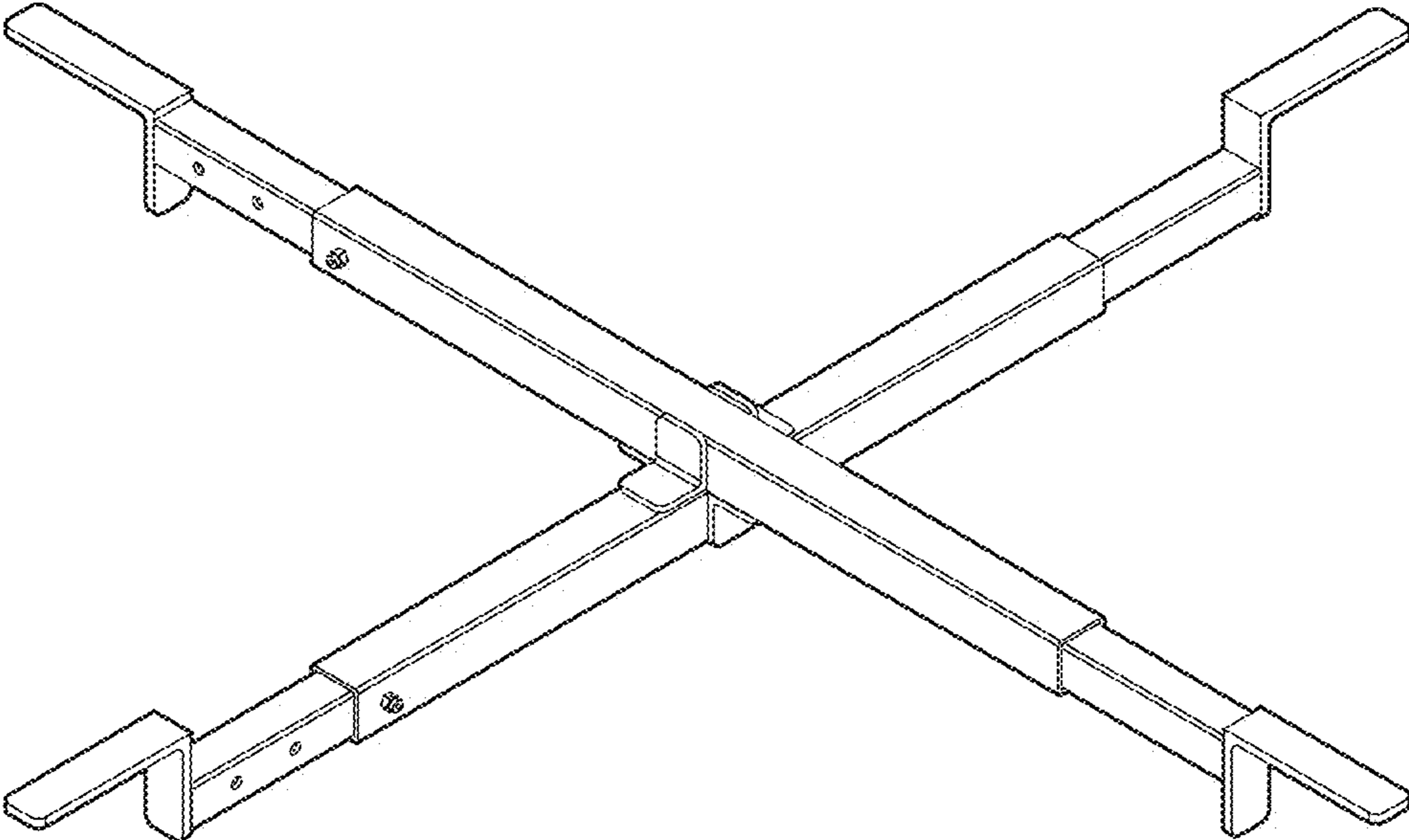


FIG. 1

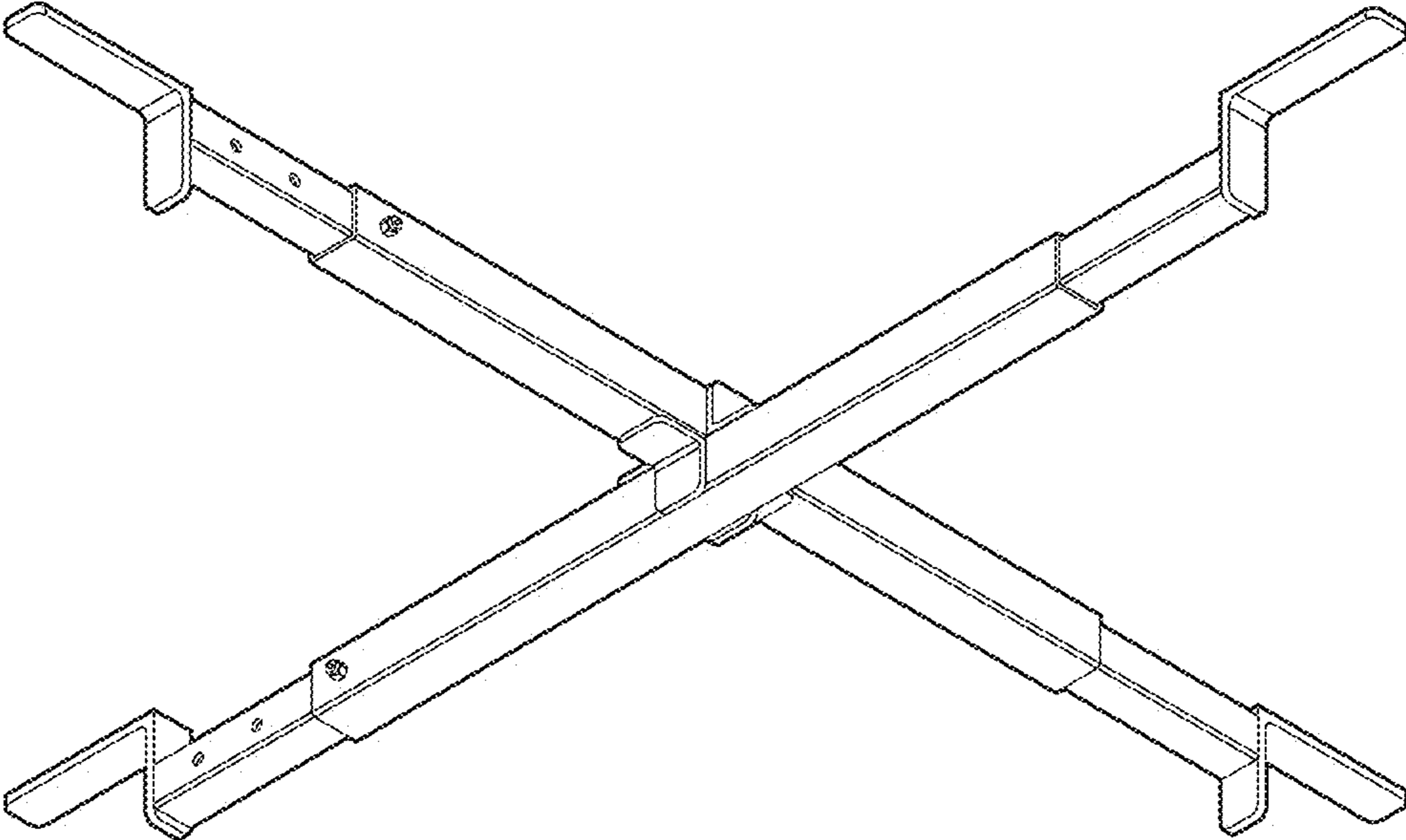


FIG. 2

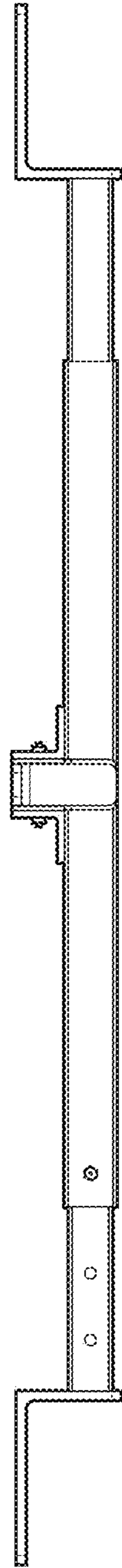


FIG. 3

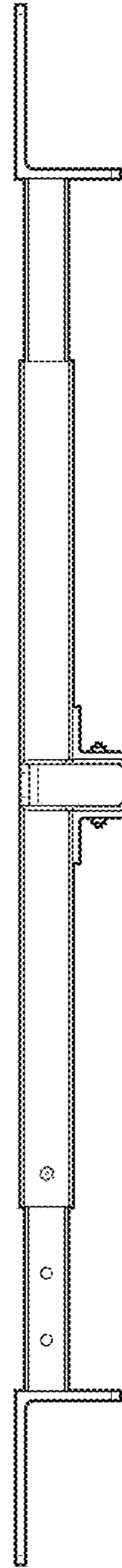
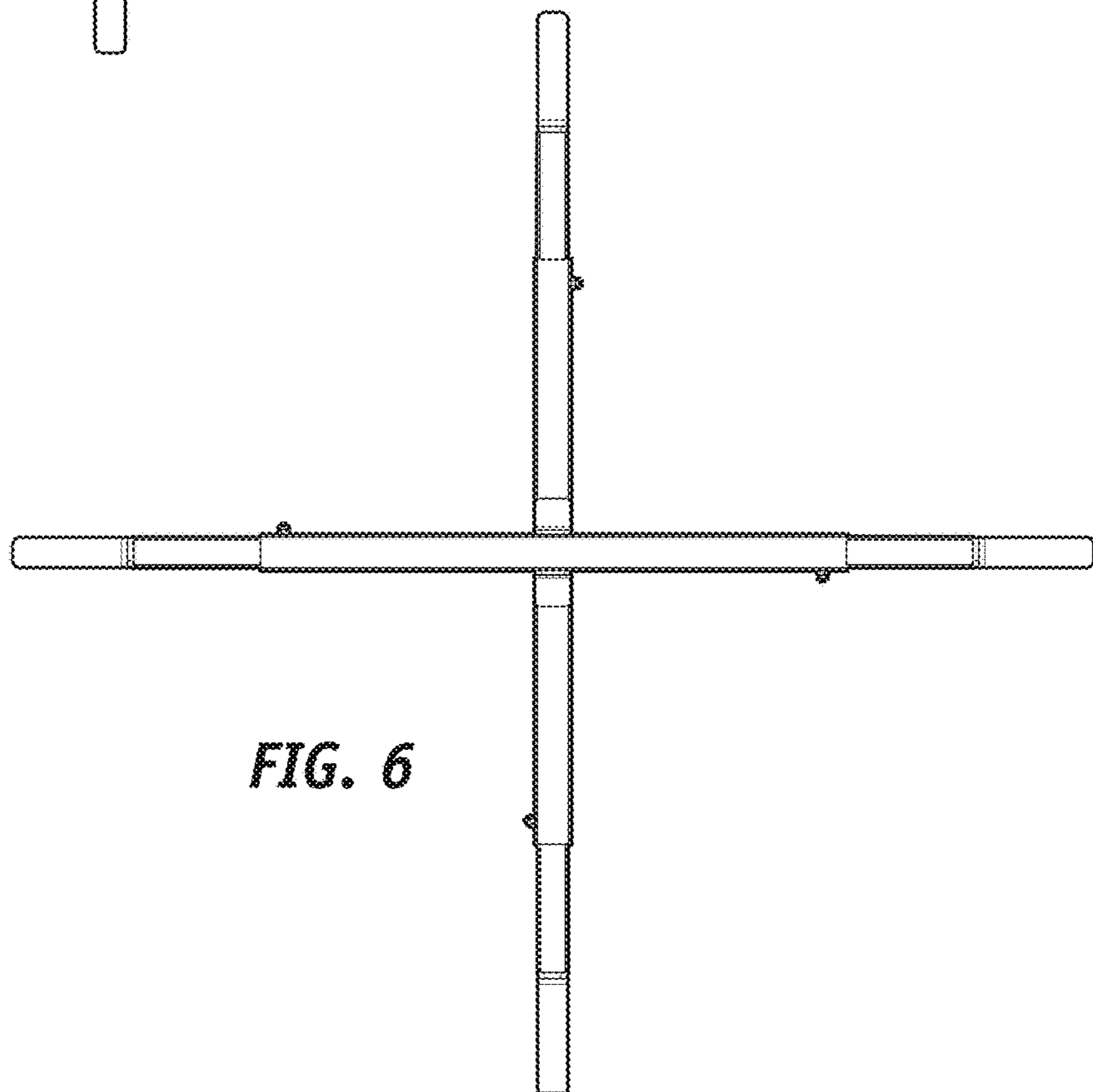
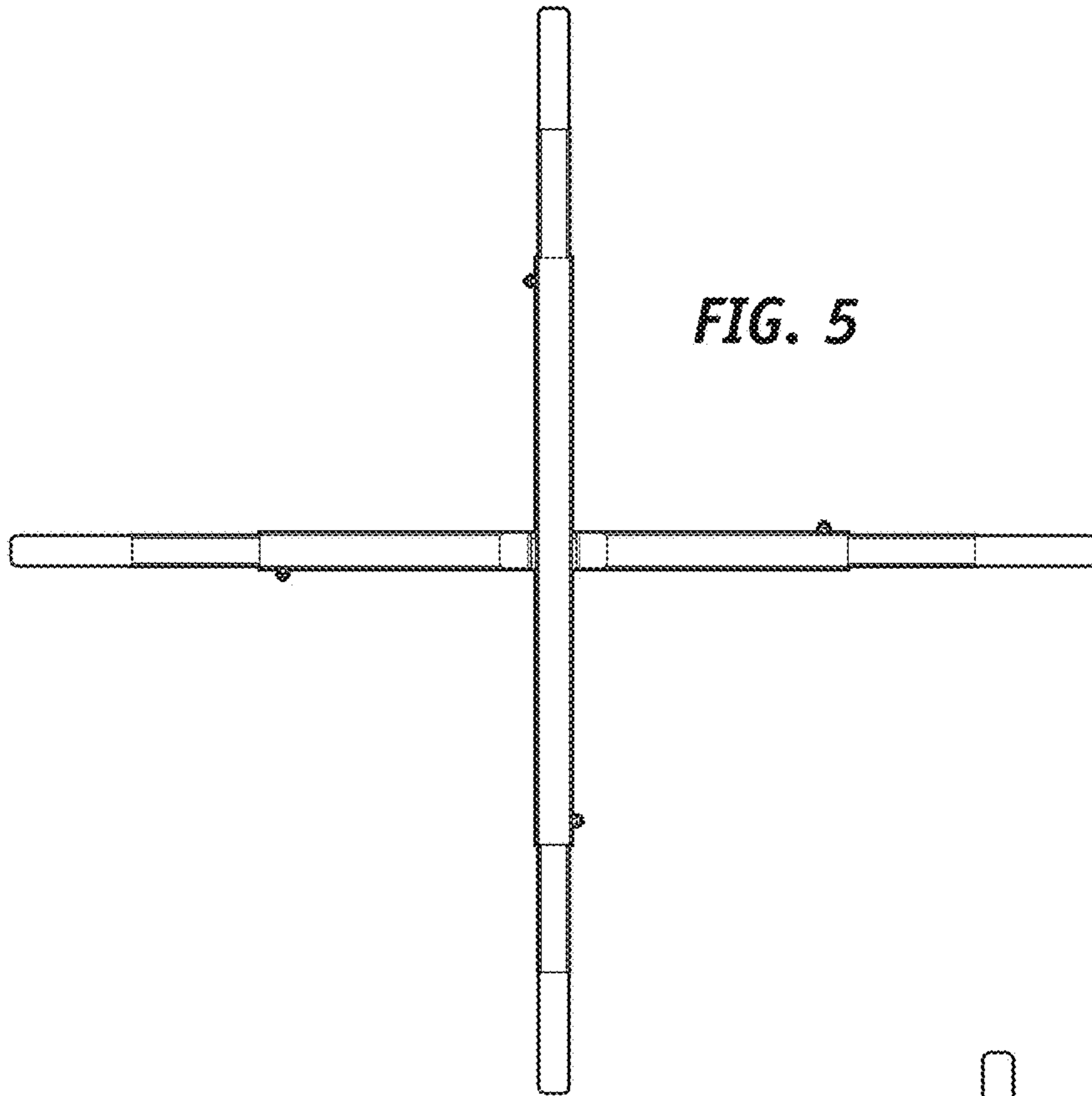


FIG. 4



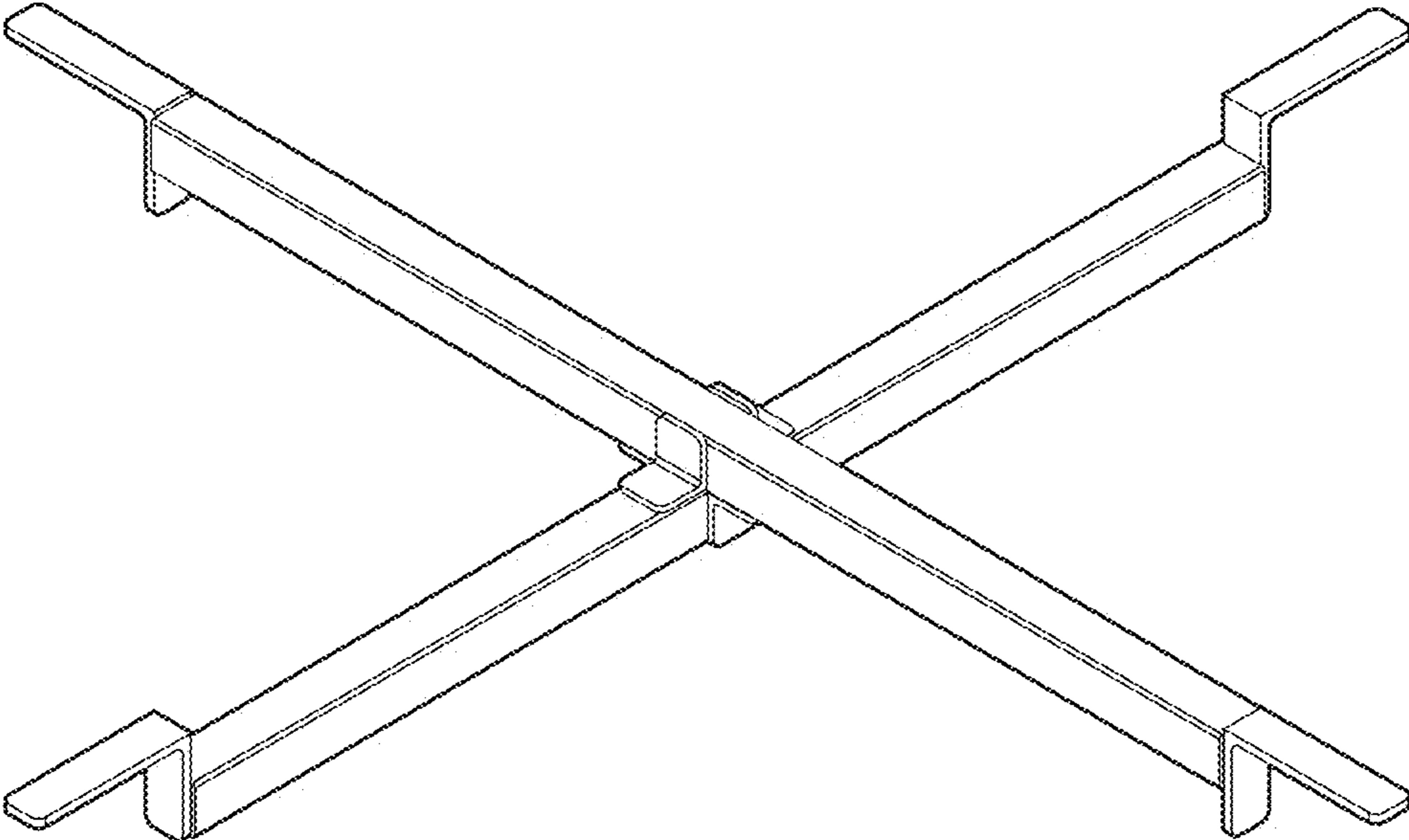


FIG. 7

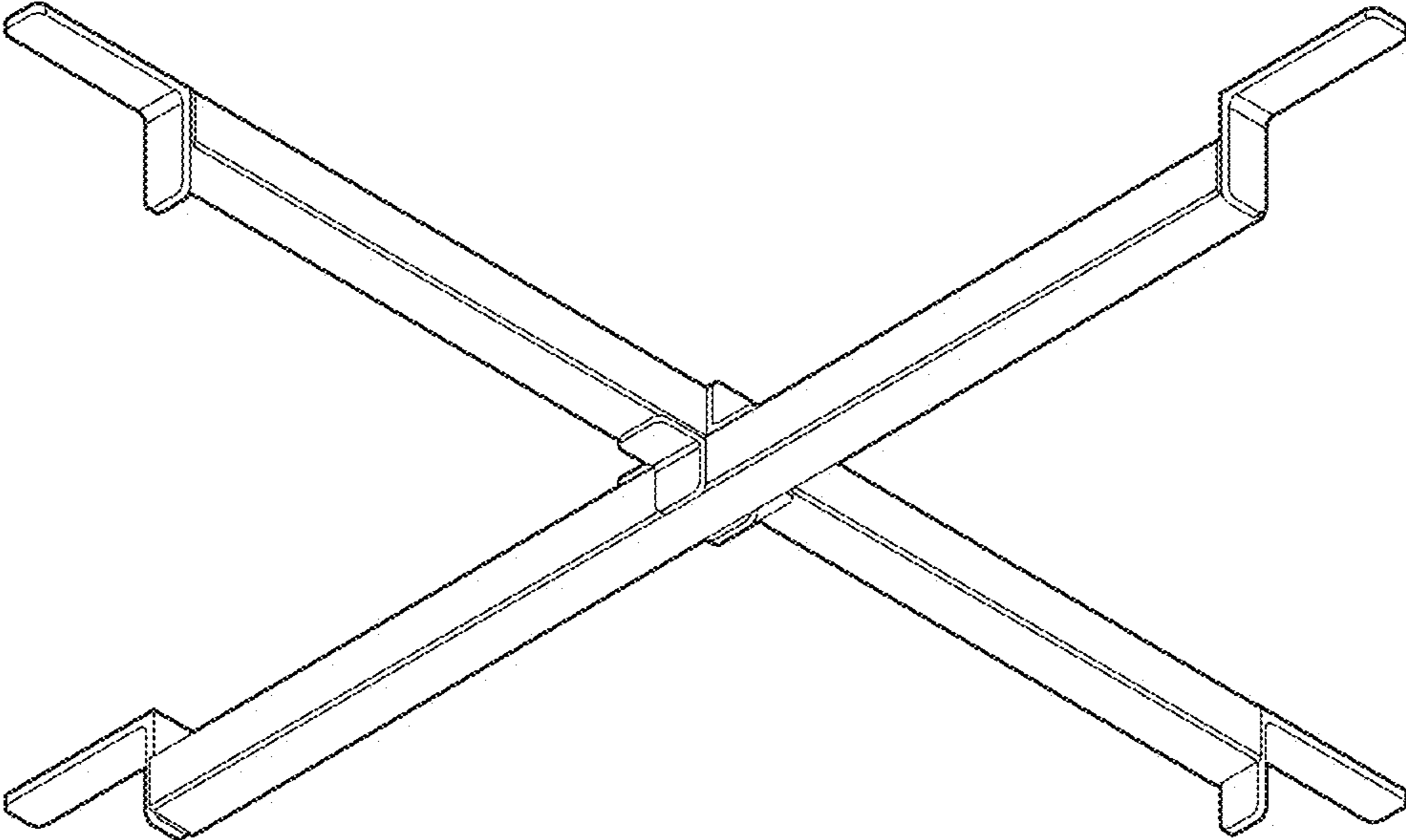


FIG. 8