



US00D878626S

(12) **United States Design Patent**
Cieciuch et al.

(10) **Patent No.:** **US D878,626 S**
(45) **Date of Patent:** **** Mar. 17, 2020**

(54) **EXPANSION TRIGGER FOR A SAMPLING DEVICE**

(71) Applicant: **Merck Chemicals and Life Science AB, Solna (SE)**

(72) Inventors: **John Cieciuch, Dracut, MA (US); Amy Wood, Concord, MA (US); James Vigna, Tyngsboro, MA (US); Charles Paradise, Brooklyn, NY (US); Kirsten Climer, Mountainview, CA (US); Francois de Martrin-Donos, Brooklyn, NY (US)**

(73) Assignee: **Merck Chemicals and Life Science AB, Solna (SE)**

(**) Term: **15 Years**

(21) Appl. No.: **29/654,138**

(22) Filed: **Jun. 21, 2018**

(51) **LOC (12) Cl.** **24-01**

(52) **U.S. Cl.**
USPC **D24/232**

(58) **Field of Classification Search**
USPC D24/216, 223-233, 186, 107, 121, 108, D24/129; D10/81
CPC ... G01N 2001/1037; G01N 2001/1079; G01N 2001/2085; G01N 1/18; A61M 39/18; A61M 39/22; B01L 3/565; B01L 3/567
See application file for complete search history.

(56) **References Cited**

U.S. PATENT DOCUMENTS

D189,846 S * 3/1961 Whitener, Jr. et al. D24/232
D271,421 S * 11/1983 Fetterman 137/556
D346,661 S * 5/1994 Thomson D24/216
D370,263 S * 5/1996 Falkenberg D24/108
D399,008 S * 9/1998 Thomas D24/232
6,032,543 A 3/2000 Arthun et al.
7,272,980 B2 9/2007 Bigalke et al.

D569,008 S * 5/2008 Lundqvist D24/232
7,661,345 B2 2/2010 Martin
7,832,293 B2 11/2010 Hermet et al.
7,878,079 B2 2/2011 Goodwin
7,921,740 B2 4/2011 Furey et al.
D673,674 S * 1/2013 Ho D24/129
D678,544 S * 3/2013 Mueller D24/216
8,408,078 B2 4/2013 Mennenga et al.
8,505,396 B2 8/2013 Zumbrum
8,505,586 B2 8/2013 Zumbrum

(Continued)

FOREIGN PATENT DOCUMENTS

EP 1729106 A2 12/2006
WO 2014/099811 A1 6/2014

OTHER PUBLICATIONS

Office action dated Dec. 5, 2019 in co-pending U.S. Appl. No. 29/654,139.

(Continued)

Primary Examiner — Anhdao Doan

(74) *Attorney, Agent, or Firm* — Nields, Lemack & Frame, LLC

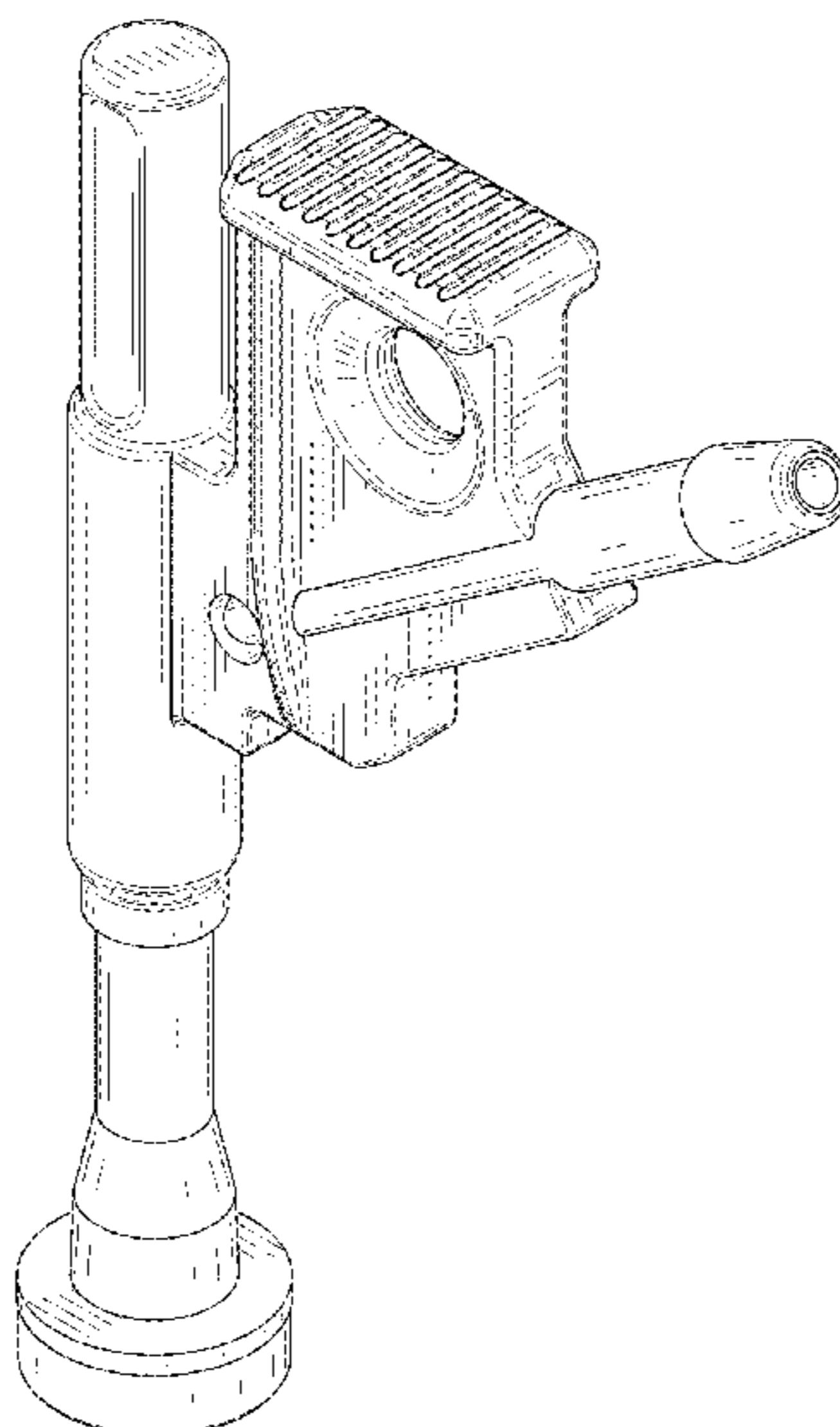
(57) **CLAIM**

The ornamental design for a expansion trigger for a sampling device, as shown.

DESCRIPTION

FIG. 1 is a perspective view of an expansion trigger for a sampling device;
FIG. 2 is a front view thereof;
FIG. 3 is a rear view thereof;
FIG. 4 is a side view thereof;
FIG. 5 is another side view thereof;
FIG. 6 is a top view thereof;
FIG. 7 is a bottom view thereof; and,
FIG. 8 is a rear perspective view thereof.

1 Claim, 6 Drawing Sheets



(56)

References Cited

U.S. PATENT DOCUMENTS

8,539,988	B2	9/2013	Guedon	
8,544,349	B2	10/2013	Zumbrum	
8,613,422	B2	12/2013	Zumbrum	
8,910,918	B2	12/2014	Gay et al.	
9,028,779	B2	5/2015	Olivier	
9,120,585	B2	9/2015	Olivier	
D756,252	S *	5/2016	Ducry	D24/216
9,376,305	B2	6/2016	Zumbrum	
D842,462	S *	3/2019	Guala	D24/129
D849,267	S *	5/2019	Rokitta	D24/232
D849,936	S *	5/2019	Allard	D24/129
D856,512	S *	8/2019	Cowart	D24/121
2007/0193375	A1	8/2007	Pandori et al.	
2008/0087860	A1	4/2008	Vaillancourt et al.	
2010/0301060	A1	12/2010	Bernard et al.	
2012/0227845	A1	9/2012	Salomon	
2016/0025601	A1	1/2016	Newbold	

OTHER PUBLICATIONS

Notice of allowance dated Nov. 26, 2019 in co-pending U.S. Appl.
No. 29/654,142.

Notice of allowance dated Dec. 2, 2019 in co-pending U.S. Appl.
No. 29/654,143.

* cited by examiner

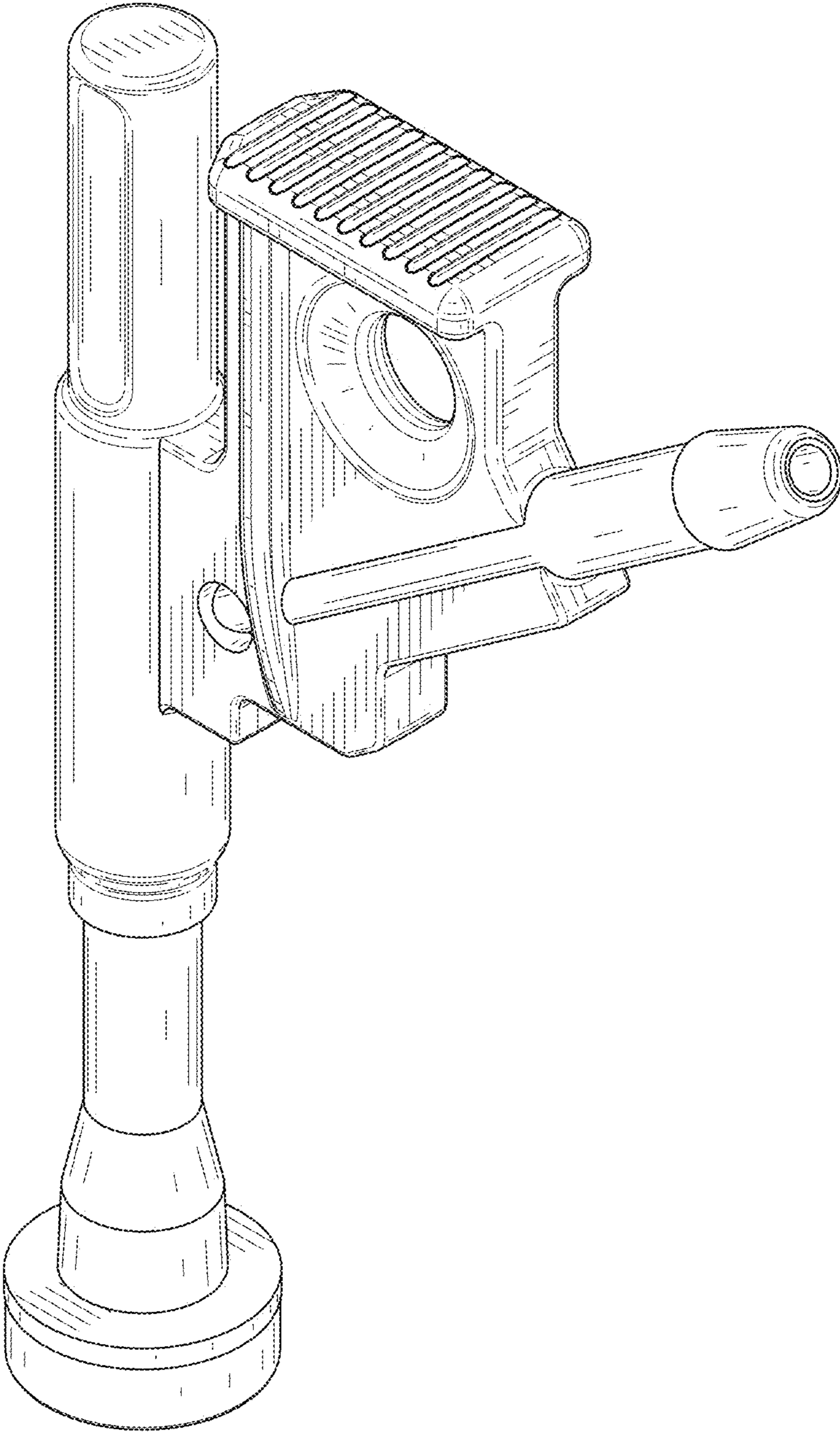


FIG. 1

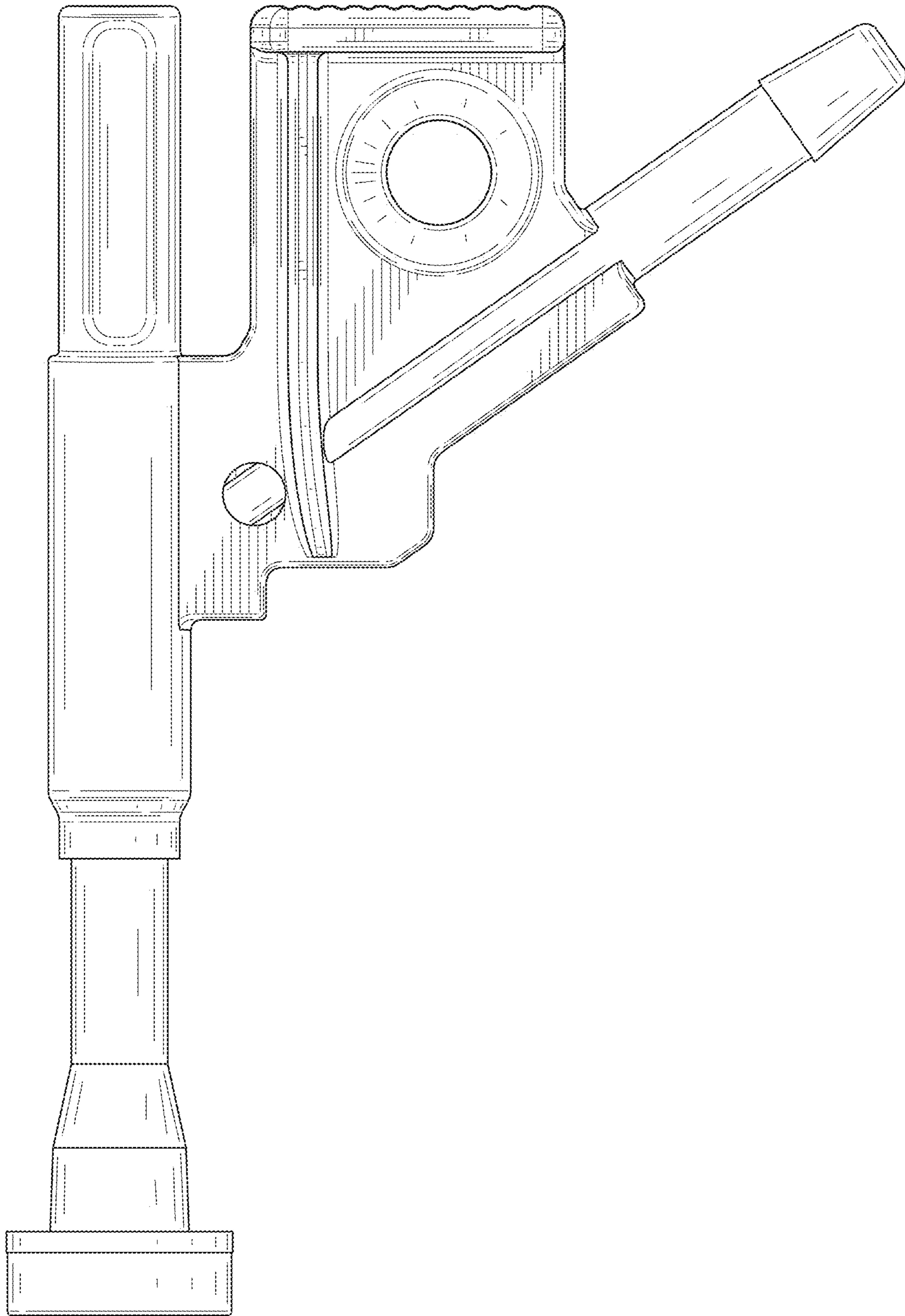


FIG. 2

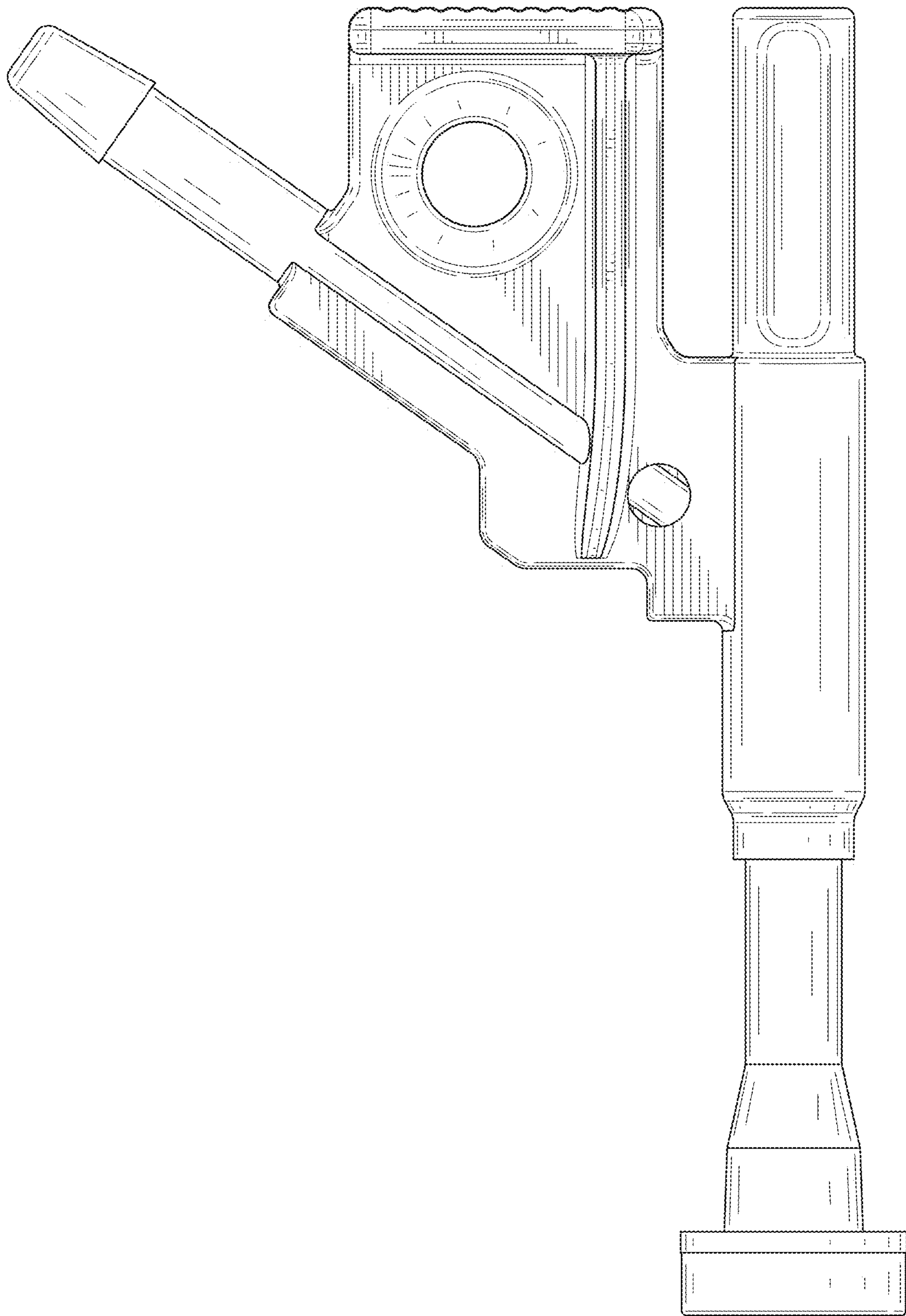


FIG. 3

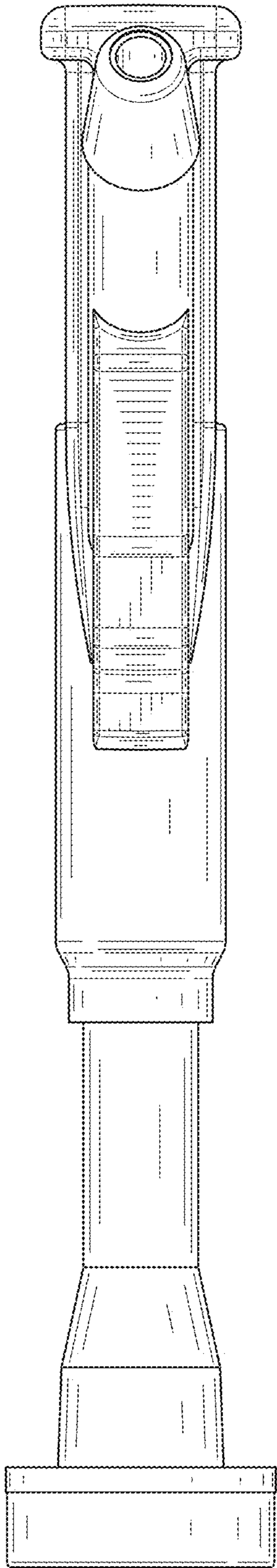


FIG. 4

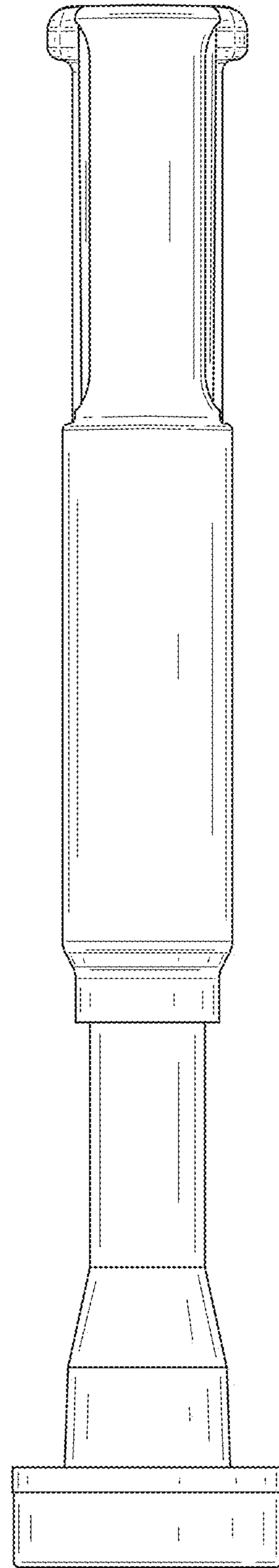


FIG. 5

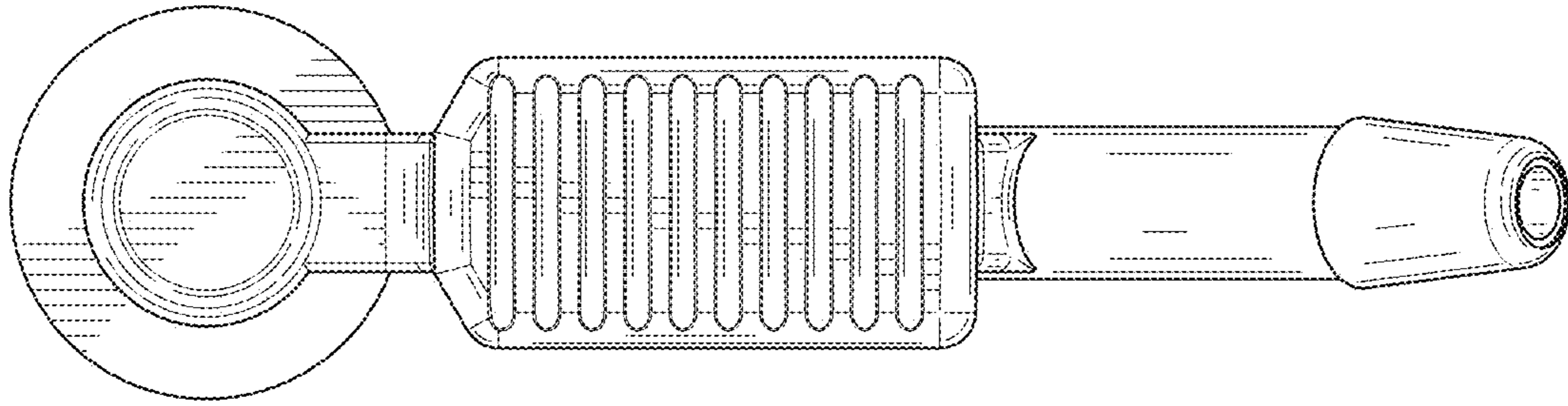


FIG. 6

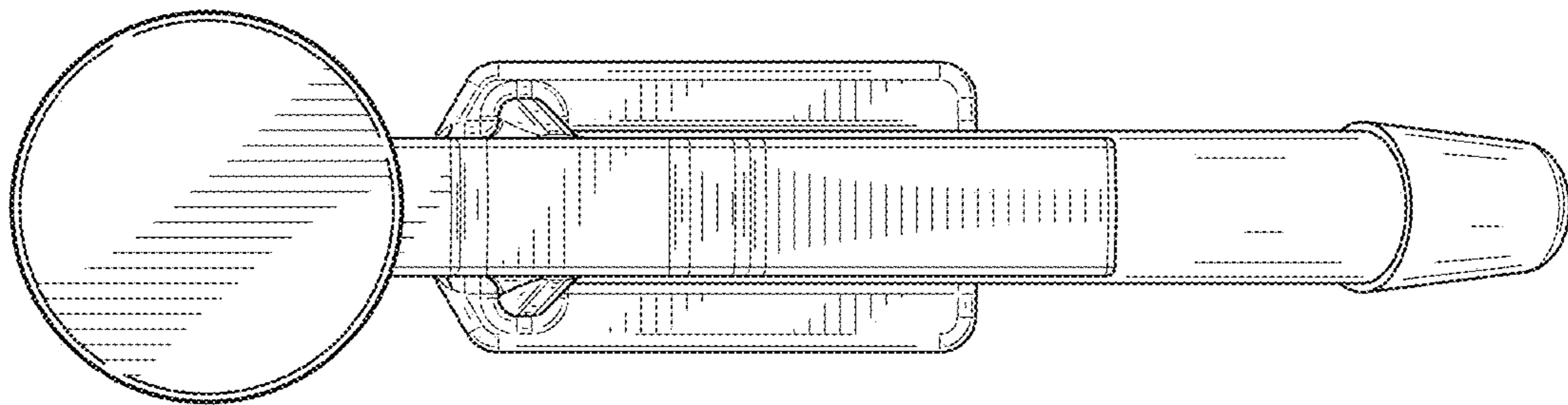


FIG. 7

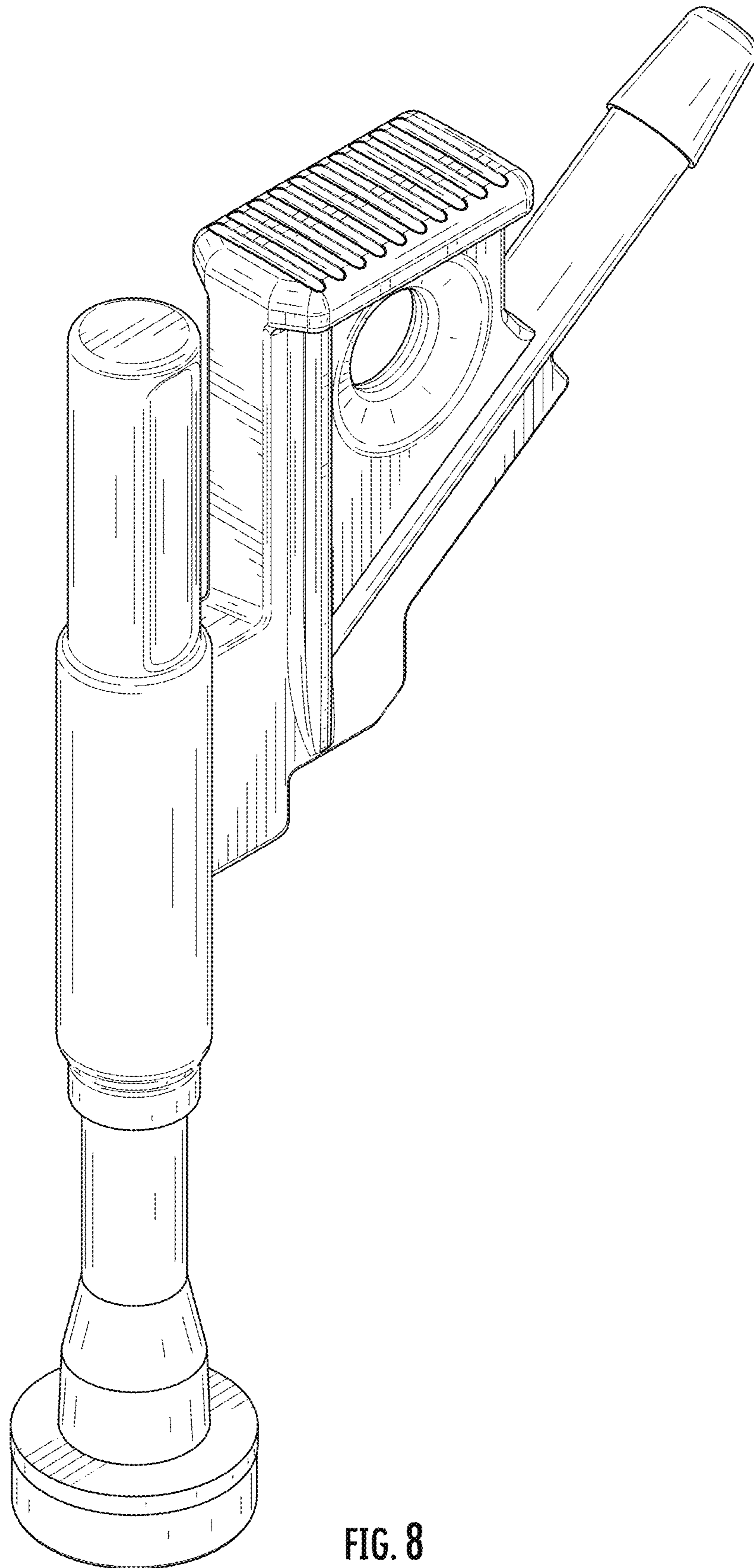


FIG. 8