



US00D878616S

(12) **United States Design Patent**
Lin

(10) **Patent No.:** **US D878,616 S**
(45) **Date of Patent:** **** Mar. 17, 2020**

(54) **WAX WARMER**

(71) Applicant: **Chengwei Lin**, Tainan (CN)

(72) Inventor: **Chengwei Lin**, Tainan (CN)

(**) Term: **15 Years**

(21) Appl. No.: **29/708,450**

(22) Filed: **Oct. 7, 2019**

(51) **LOC (12) Cl.** **28-03**

(52) **U.S. Cl.**
USPC **D24/200**

(58) **Field of Classification Search**
USPC D24/200, 204, 121; D7/323, 354;
607/96, 104, 108, 111; 604/291
CPC A61F 7/00; A61F 7/007; A61F 2007/0001;
A61F 2007/0003; A61F 2007/0004; A61F
2007/0007; A61F 2007/0024; A61F
2007/0029; A61F 2007/0039; H05B 1/02;
H05B 3/00; H05B 3/0052; H05B 3/26;
A47J 36/2433; A47J 27/004; A61L 9/03
See application file for complete search history.

(56) **References Cited**

U.S. PATENT DOCUMENTS

D478,384 S * 8/2003 Lie D24/200
D789,136 S * 6/2017 Russillo D24/200
10,086,102 B2 * 10/2018 Belongia A61L 9/03
D838,859 S 1/2019 Yu

D857,215 S * 8/2019 Lin D24/200
2011/0286726 A1 * 11/2011 Baraky A61L 9/03
392/416
2015/0117056 A1 * 4/2015 Hsiao A61L 9/03
362/611
2015/0283280 A1 * 10/2015 Belongia A61L 9/03
392/386

* cited by examiner

Primary Examiner — Wan Laymon

(74) *Attorney, Agent, or Firm* — Wayne V. Harper

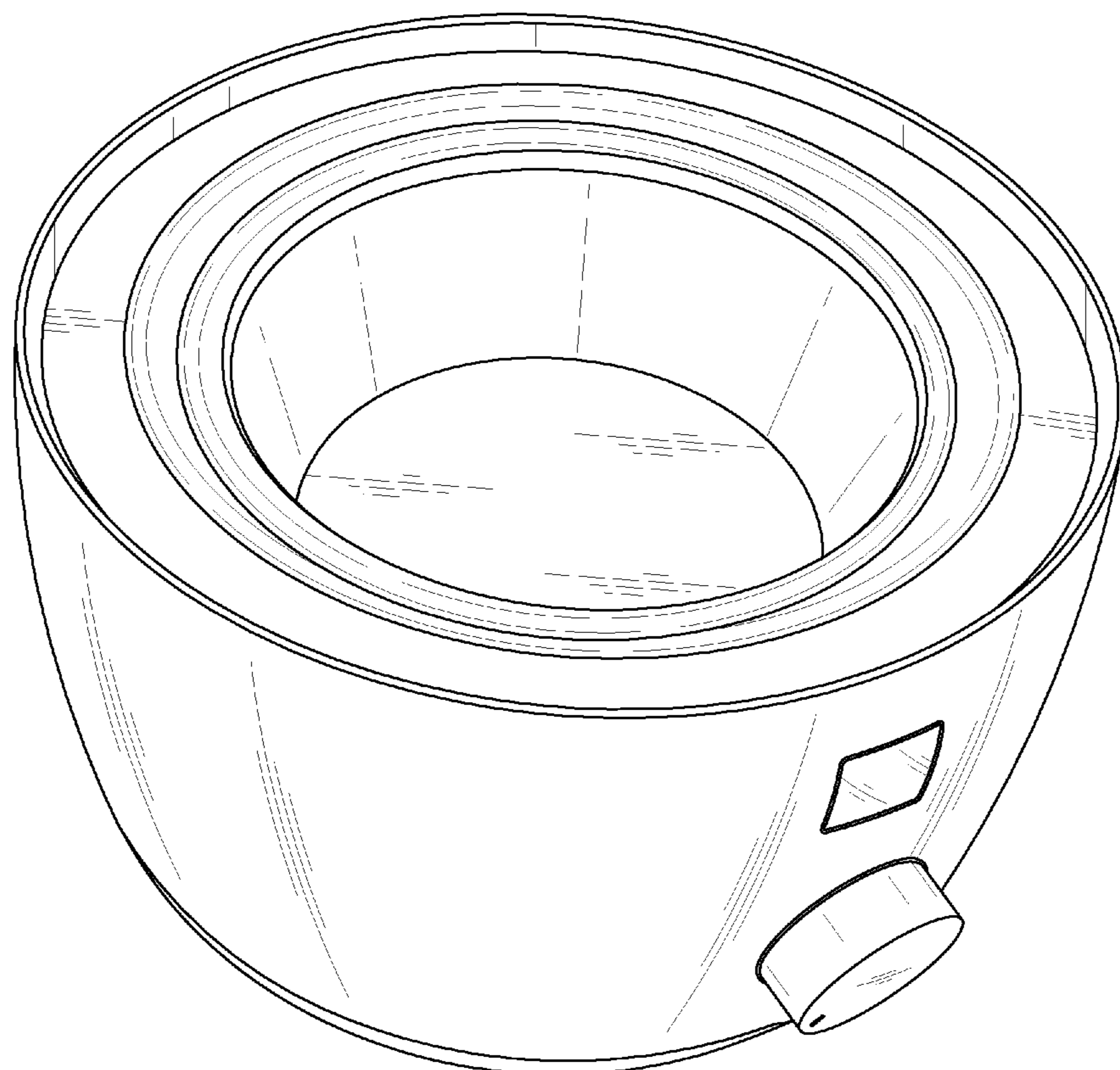
(57) **CLAIM**

I claim the ornamental design for a wax warmer, as shown and described.

DESCRIPTION

FIG. 1 is a Perspective view of a wax warmer showing my new design;
FIG. 2 is a Front view thereof;
FIG. 3 is a Back view thereof;
FIG. 4 is a Right-side view thereof;
FIG. 5 is a left-side view thereof;
FIG. 6 is a Top view thereof; and,
FIG. 7 is a Bottom view thereof.
The broken lines showing in the drawings are included for the purpose of illustrating environmental structure and form no part of the claimed design.

1 Claim, 7 Drawing Sheets



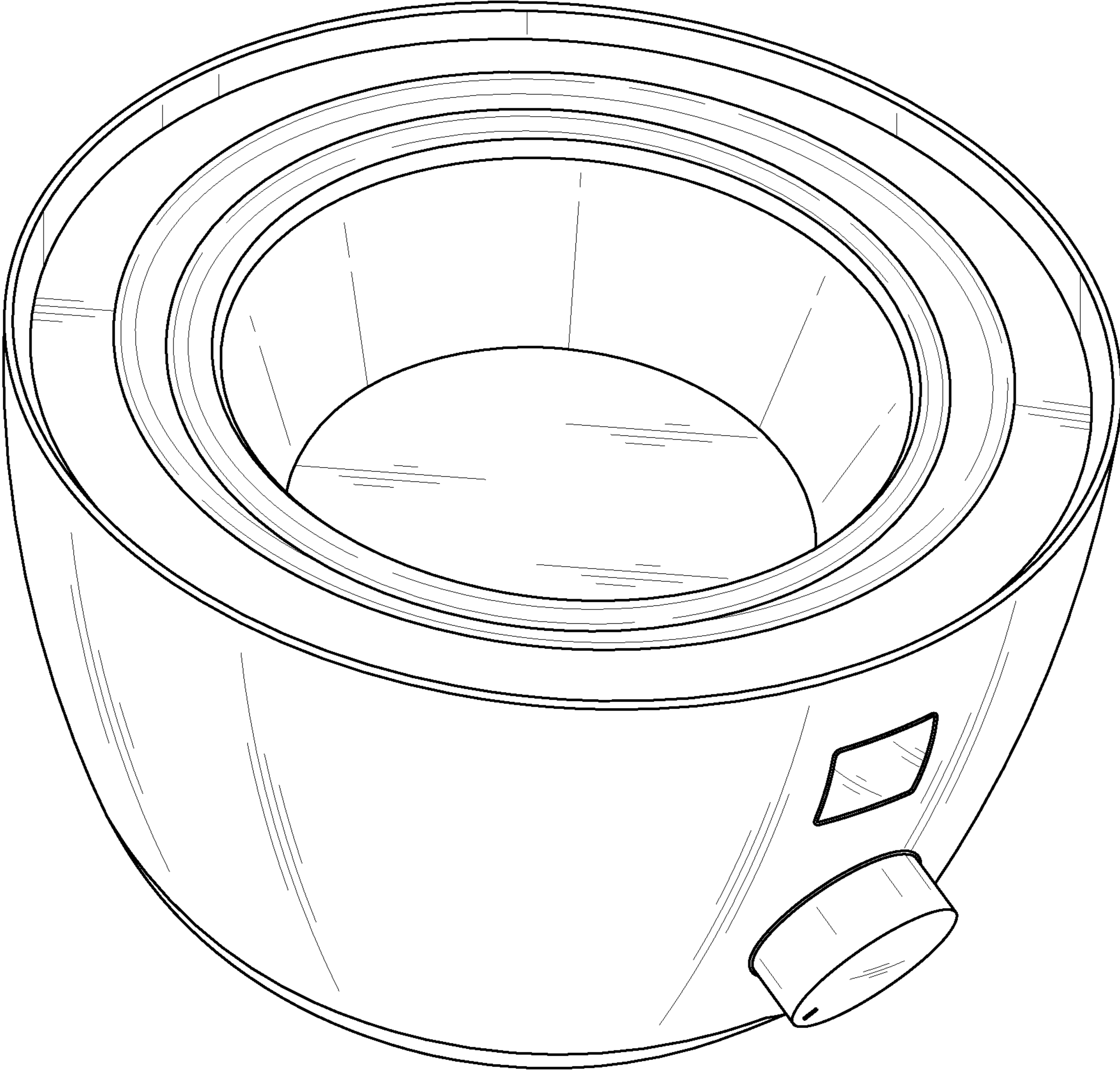


FIG. 1

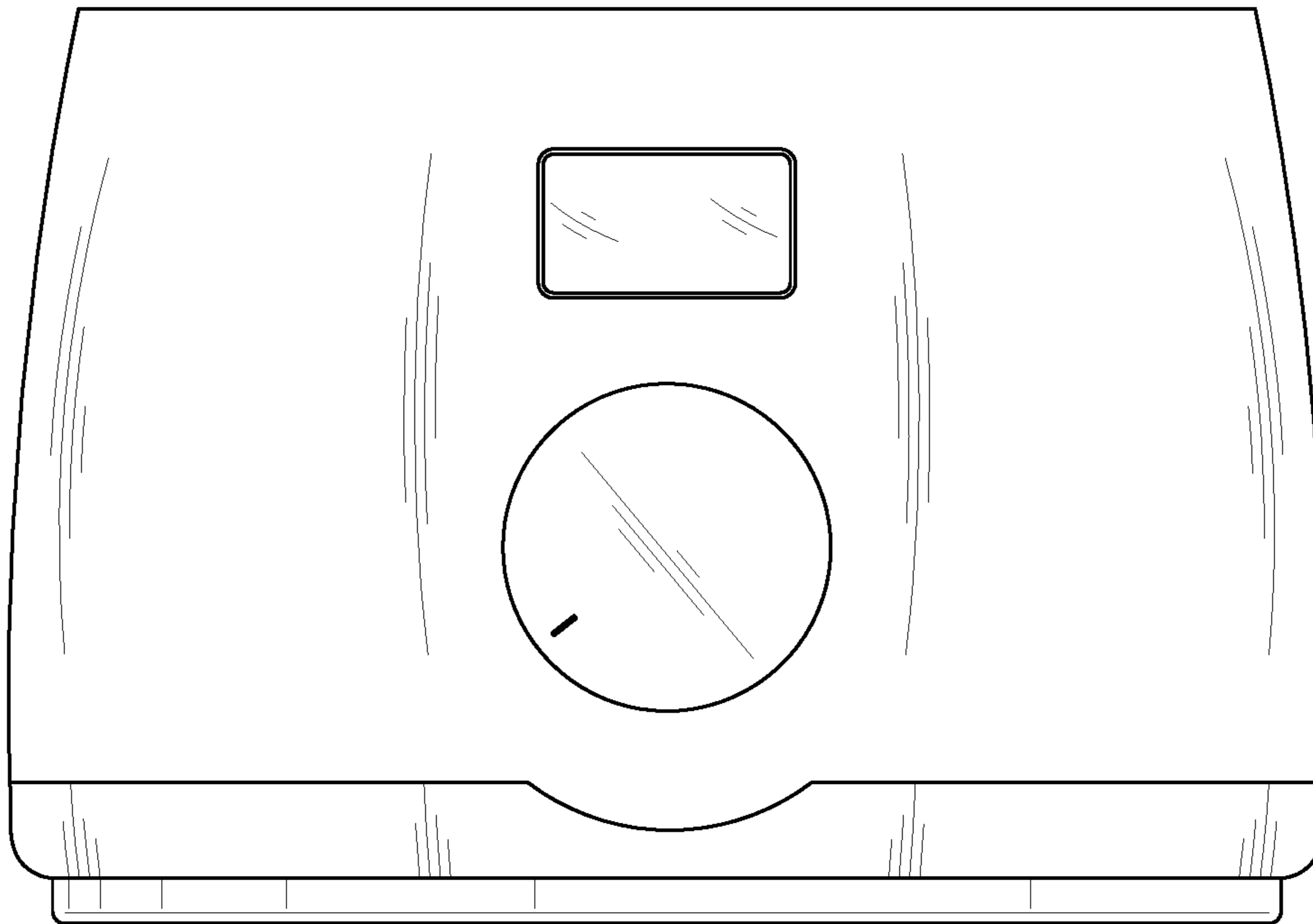


FIG. 2

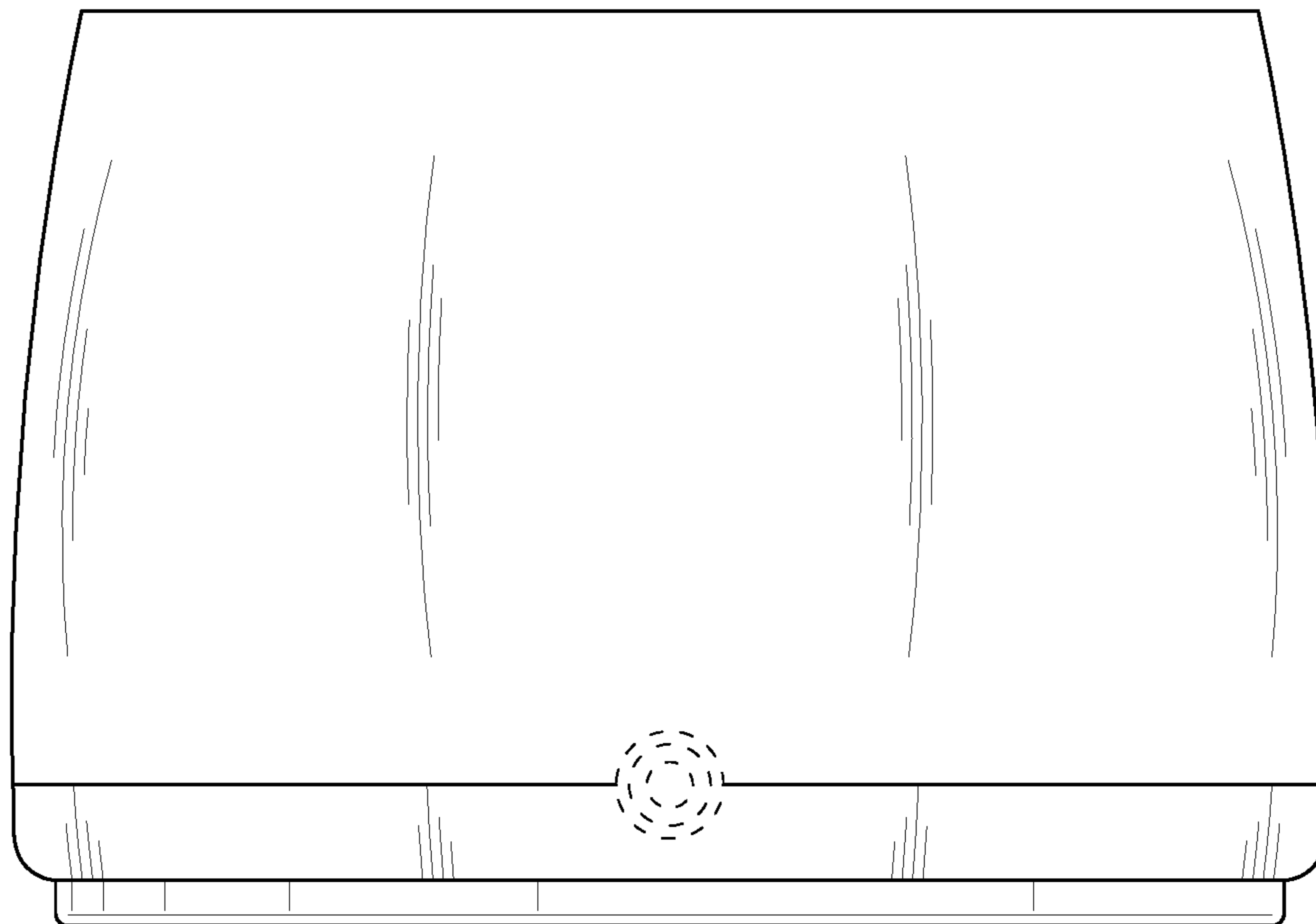


FIG. 3

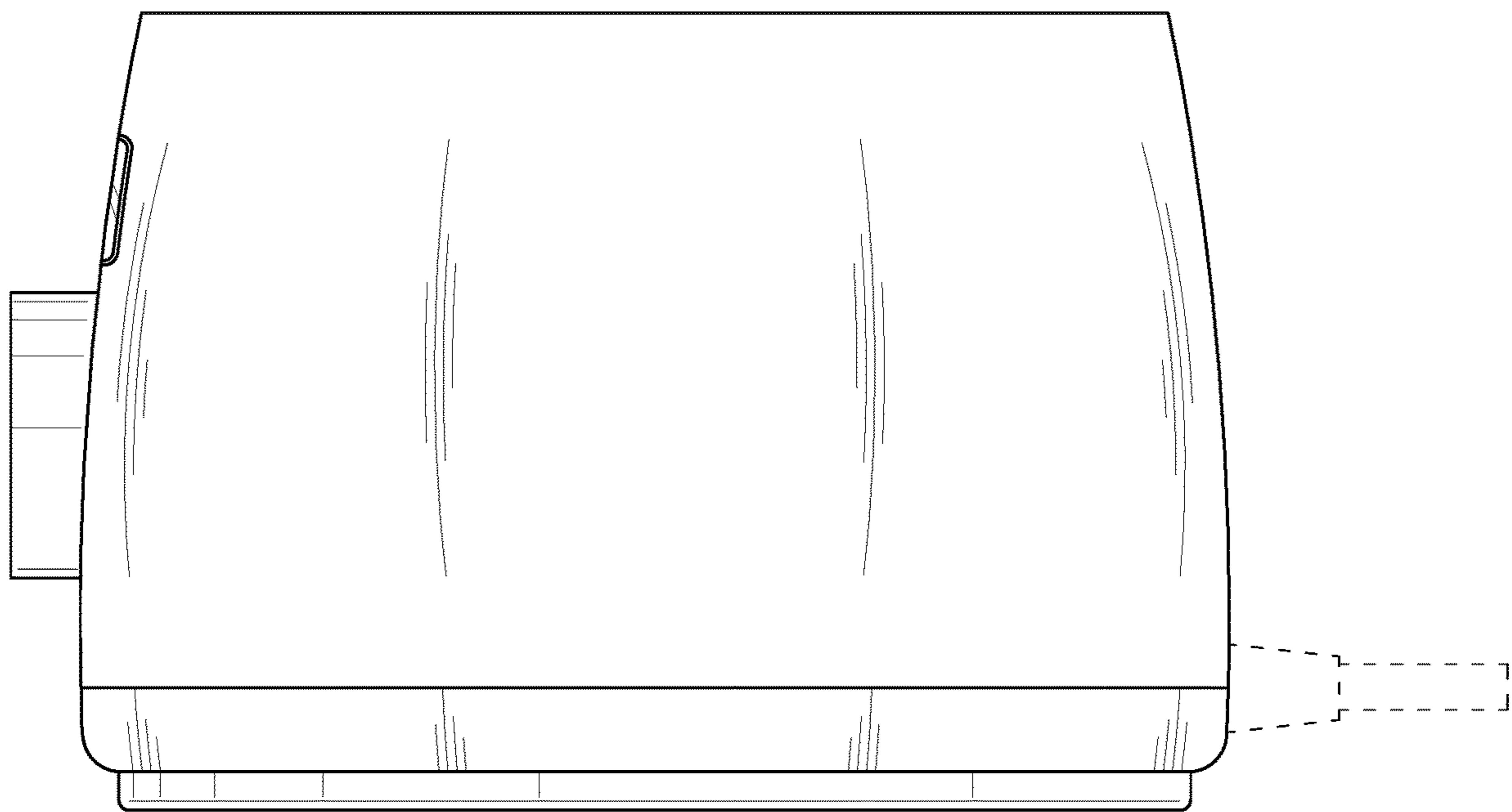


FIG. 4

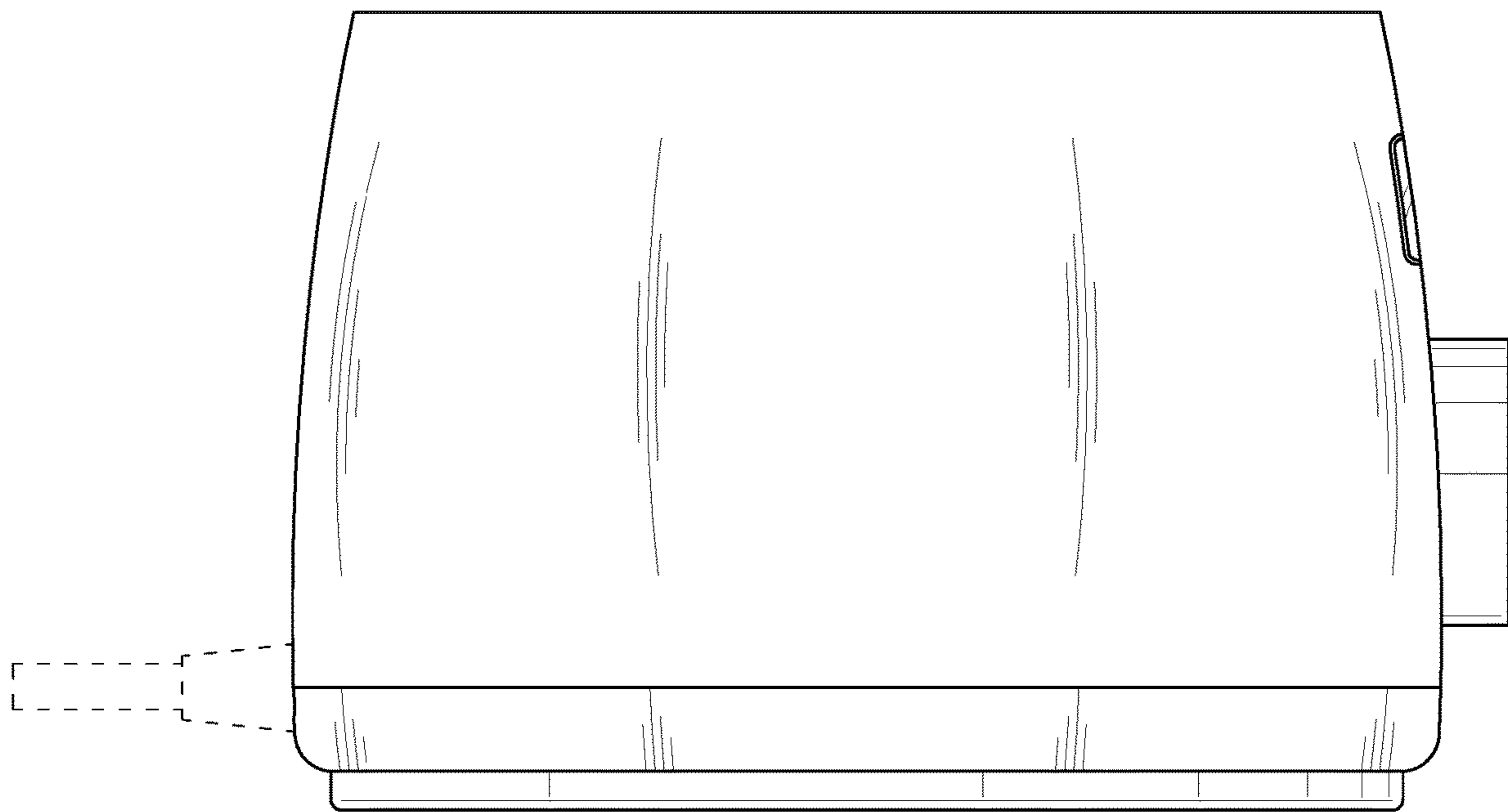


FIG. 5

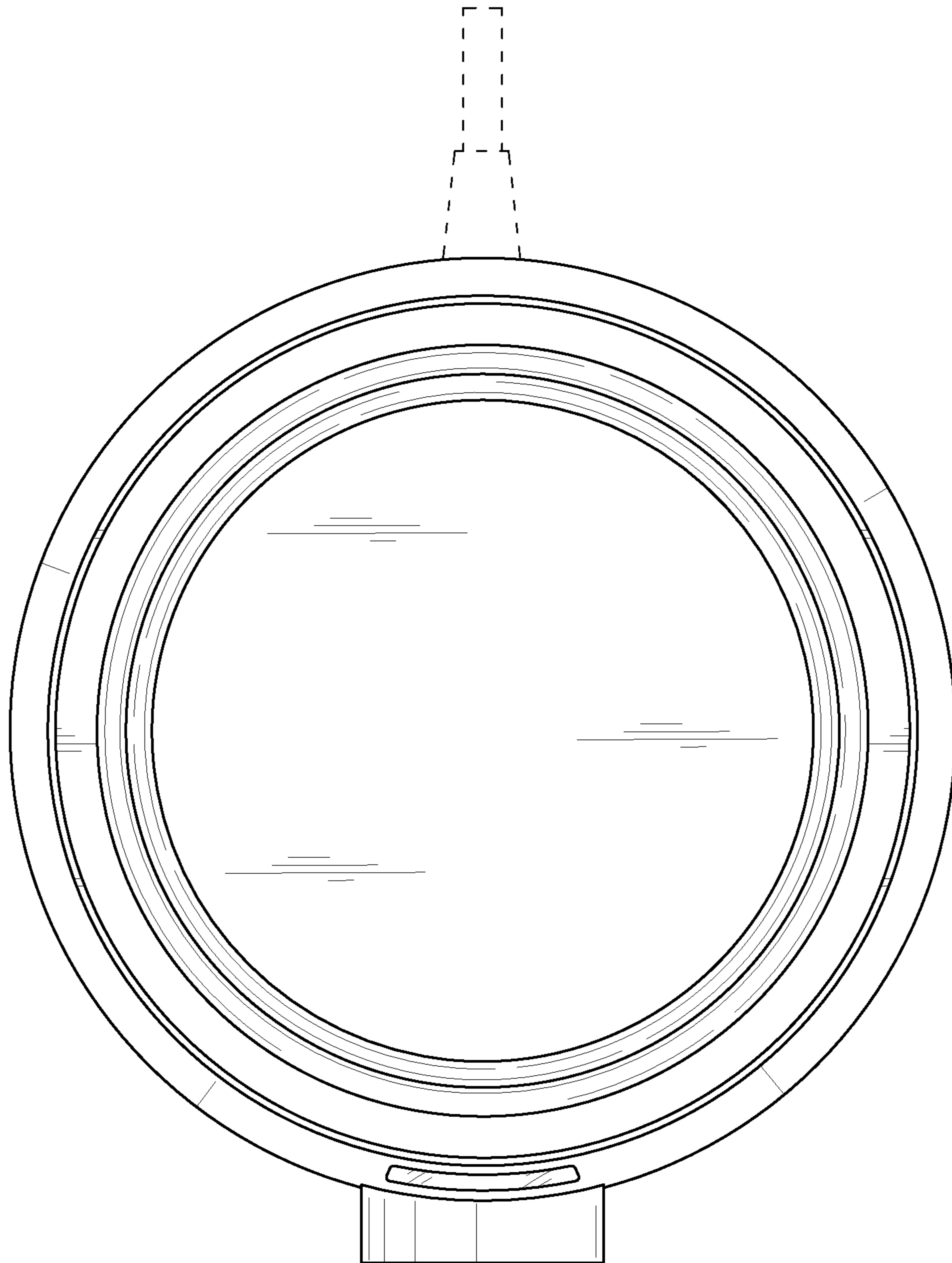


FIG. 6

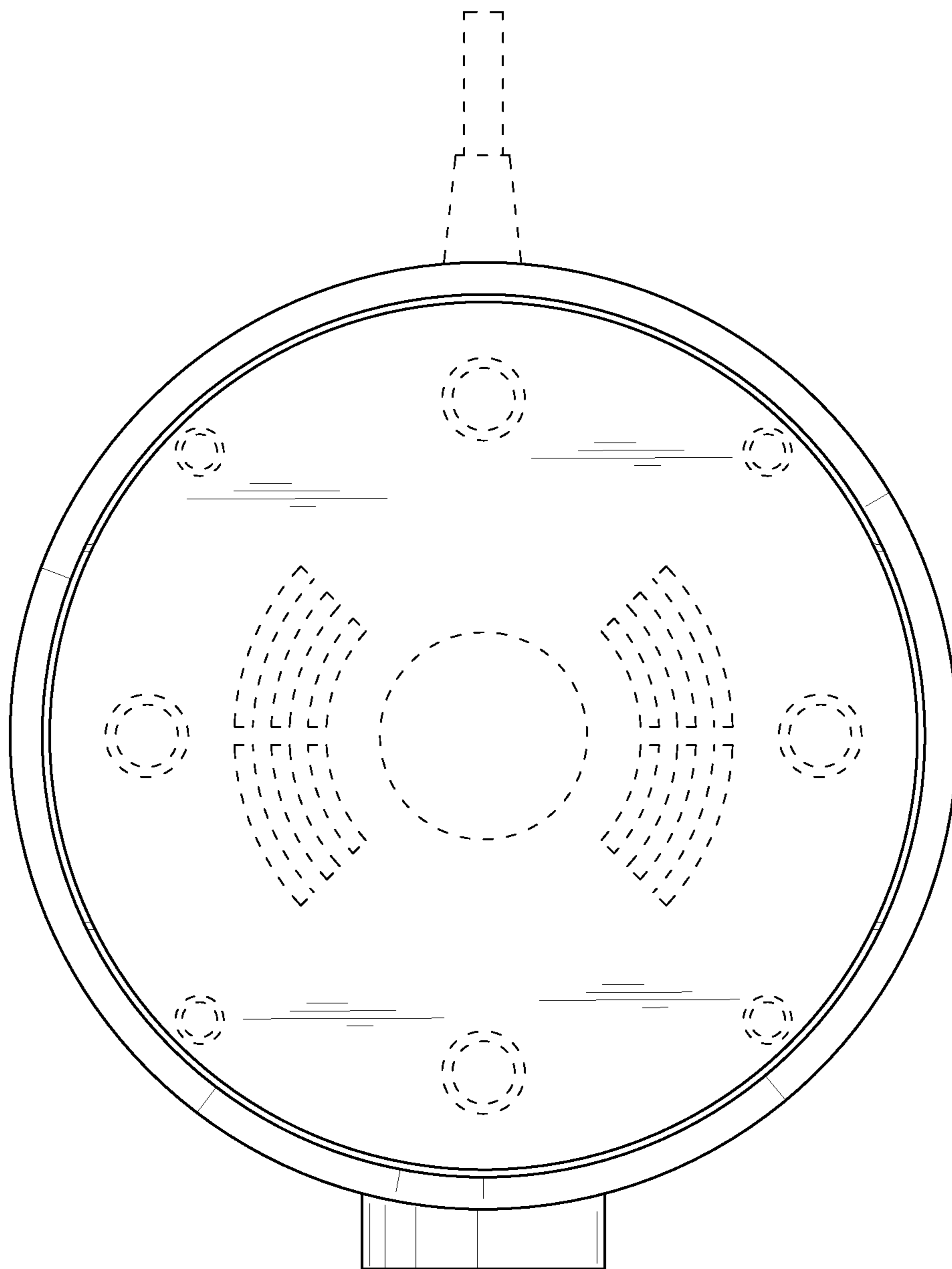


FIG. 7