

US00D878614S

(12) **United States Design Patent**  
**Zhang**

(10) **Patent No.:** **US D878,614 S**  
(45) **Date of Patent:** **\*\* Mar. 17, 2020**

(54) **FEEDING BOTTLE**

- (71) Applicant: **THINK GREEN LIMITED**, Auckland (NZ)
- (72) Inventor: **Shu Ting Zhang**, Auckland (NZ)
- (\*\*) Term: **15 Years**
- (21) Appl. No.: **29/649,822**
- (22) Filed: **Jun. 1, 2018**
- (51) **LOC (12) Cl.** ..... **07-01**
- (52) **U.S. Cl.**  
USPC ..... **D24/197**
- (58) **Field of Classification Search**  
USPC ..... D7/392.1, 393, 394, 396.2, 510, 511,  
D7/532, 534, 606; D24/197, 199  
CPC ..... A47G 19/2205; A61J 9/00; B65D 23/102;  
B65D 25/2897  
See application file for complete search history.

OTHER PUBLICATIONS

“YouTube—Comotomo Natural Feel Baby Bottle.” Found online Oct. 23, 2019 at [www.youtube.com](http://www.youtube.com). Video published Jan. 27, 2010. Retrieved from URL: <https://www.youtube.com/watch?v=xdac-ahinQ> (Year: 2010).\*

“Comotomo Natural Feel Baby Bottle.” Found online Oct. 23, 2019 at [www.amazon.com](http://www.amazon.com). Page dated May 22, 2014. Retrieved from URL : [https://www.amazon.com/Comotomo-Natural-Feel-Bottles-Medium/product-reviews/B00U1RFQRY/ref=cm\\_cr\\_dp\\_d\\_show\\_all\\_btm?ie=UTF8&reviewerType=all\\_reviews](https://www.amazon.com/Comotomo-Natural-Feel-Bottles-Medium/product-reviews/B00U1RFQRY/ref=cm_cr_dp_d_show_all_btm?ie=UTF8&reviewerType=all_reviews) (Year: 2014).\*

(Continued)

*Primary Examiner* — Mary Ann Calabrese  
*Assistant Examiner* — Katelin G Kloberg  
 (74) *Attorney, Agent, or Firm* — Michael Best & Friedrich LLP

(57) **CLAIM**

The ornamental design for a feeding bottle, as shown and described.

(56) **References Cited**

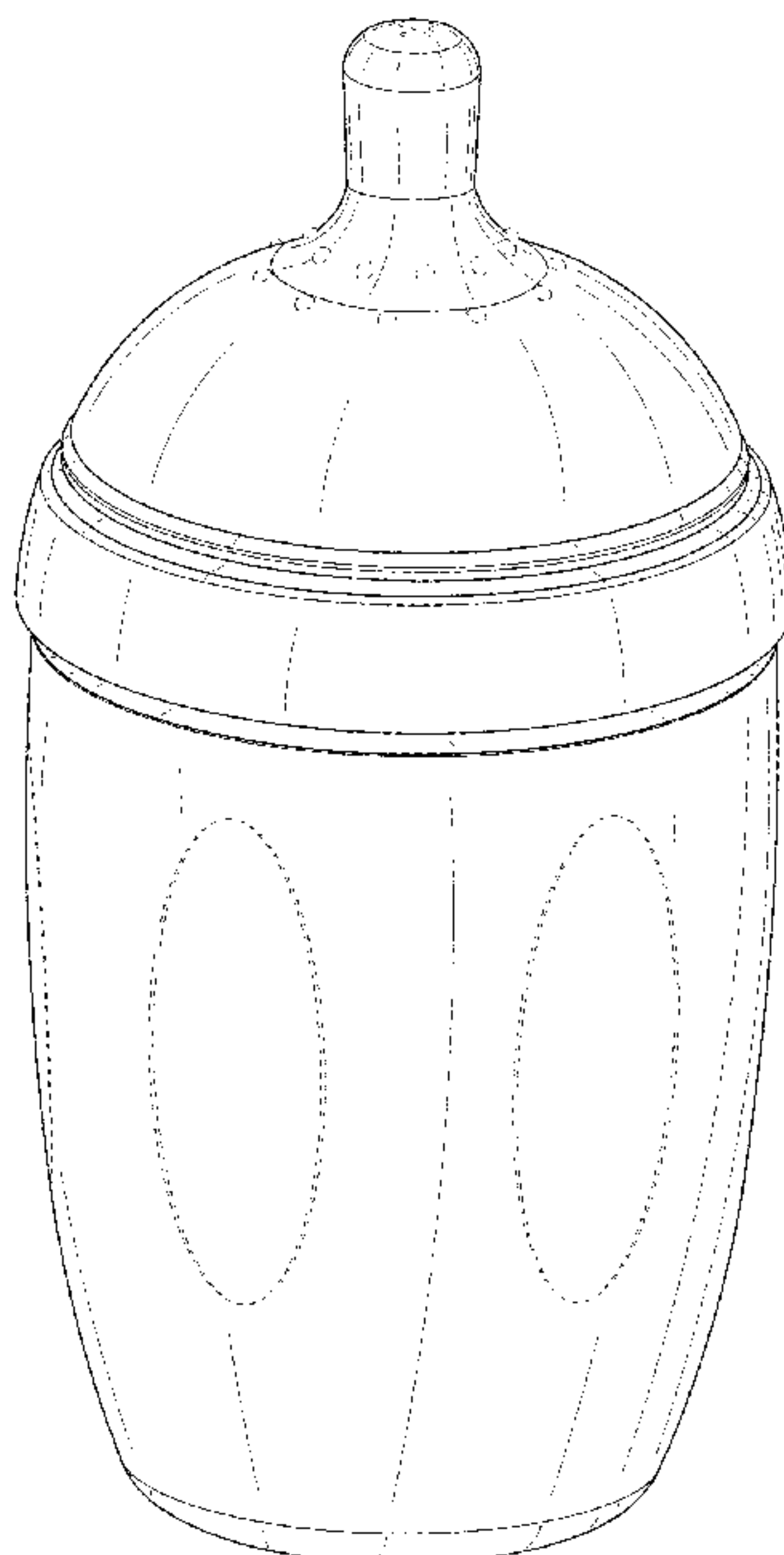
U.S. PATENT DOCUMENTS

D420,448 S *	2/2000	Brown	.....	D24/197
6,722,514 B2 *	4/2004	Renz	.....	A47G 19/2205 215/11.1
D511,836 S *	11/2005	Morano	.....	D24/197
D605,949 S *	12/2009	Potts	.....	D9/537
D626,849 S *	11/2010	Wilson	.....	D9/538
D635,684 S *	4/2011	Shaikh	.....	D24/197
D666,731 S *	9/2012	Mustecapliohlu	.....	D24/197
D681,218 S *	4/2013	Smith	.....	D24/197
D696,410 S *	12/2013	Tollman	.....	D24/197
D710,513 S *	8/2014	Boonprasop	.....	D24/197
D741,183 S *	10/2015	Cannamela	.....	D9/530
D767,776 S *	9/2016	Elfowy	.....	D24/197
D838,139 S *	1/2019	Cudworth	.....	D7/510
2002/0017502 A1 *	2/2002	Renz	.....	A47G 19/2205 215/384

**DESCRIPTION**

FIG. 1 is a top perspective view of a feeding bottle showing my new design;  
 FIG. 2 is a bottom perspective view thereof;  
 FIG. 3 is a front elevation view thereof;  
 FIG. 4 is a rear elevation view thereof;  
 FIG. 5 is a left side elevation view thereof;  
 FIG. 6 is a right side elevation view thereof;  
 FIG. 7 is a top plan view thereof; and,  
 FIG. 8 is a bottom plan view thereof.  
 The broken lines illustrate portions of the feeding bottle which form no part of the claimed design.  
 The shade lines show surface contour and not surface ornamentation.

**1 Claim, 7 Drawing Sheets**



(56)

**References Cited**

OTHER PUBLICATIONS

“Boon Nursh Silicone Pouch Bottle.” Found online Oct. 23, 2019 at [www.amazon.com](http://www.amazon.com). Product first available Apr. 2, 2018. Retrieved from URL: <https://www.amazon.ca/Boon-Nursh-Silicone-Pouch-Bottle/dp/B07BL78YC5> (Year: 2018).\*

“NUK Simply Natural Baby Bottle.” Found online Oct. 23, 2019 at [www.amazon.com](http://www.amazon.com). Product reviewed Nov. 8, 2016. Retrieved from URL: <https://tinyurl.com/y2fuwomo> (Year: 2016).\*

\* cited by examiner

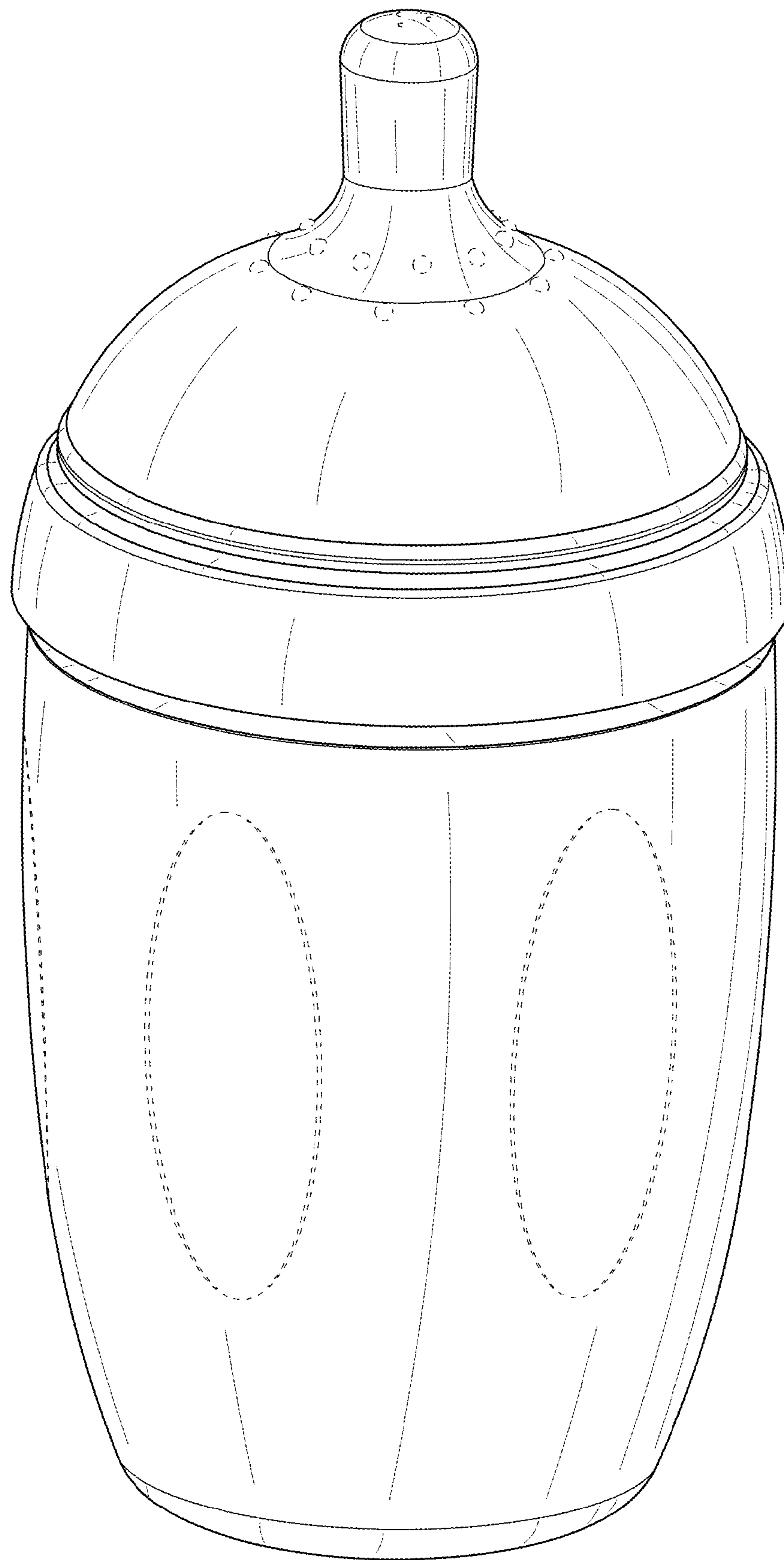
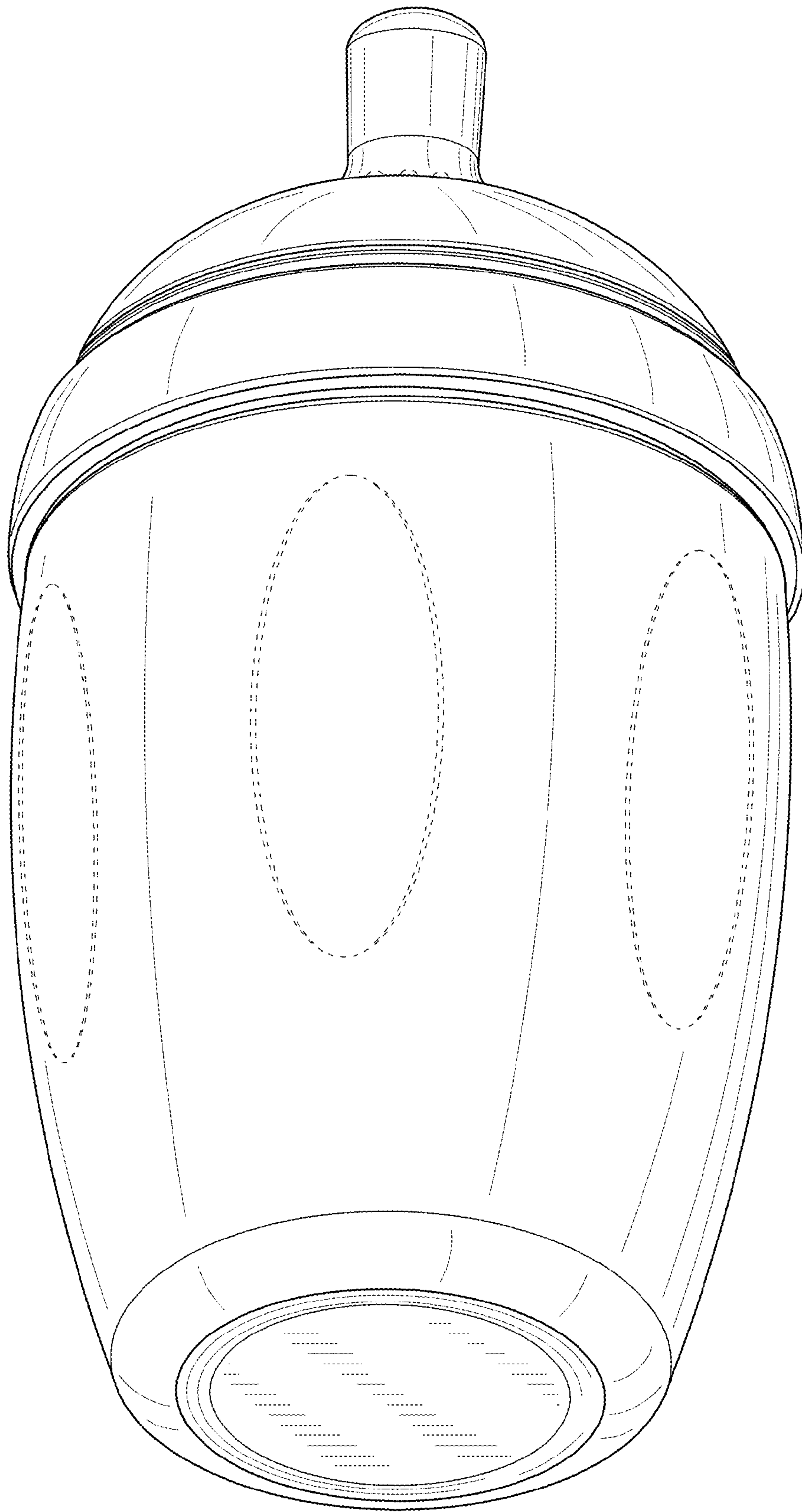
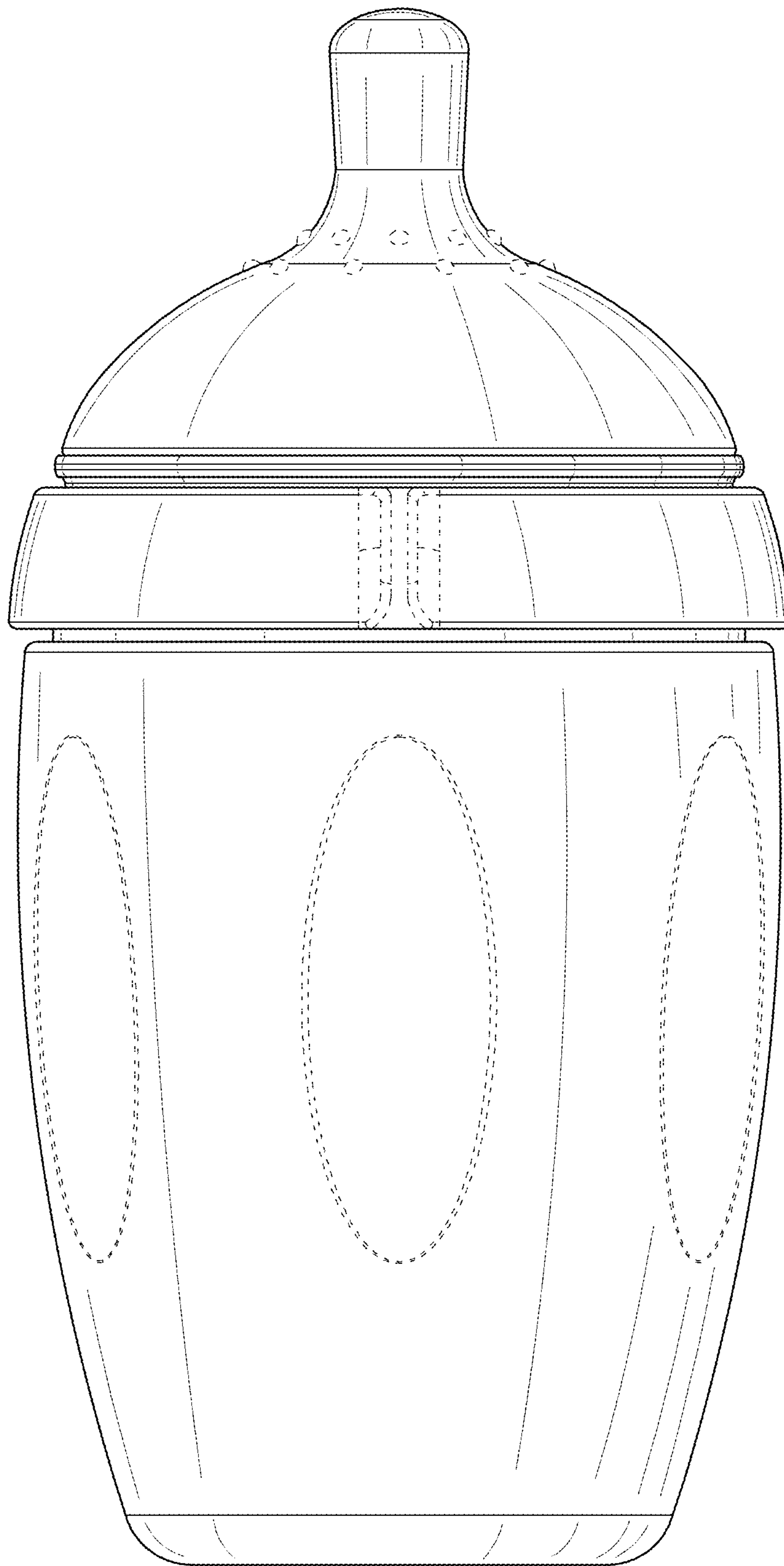


FIG. 1

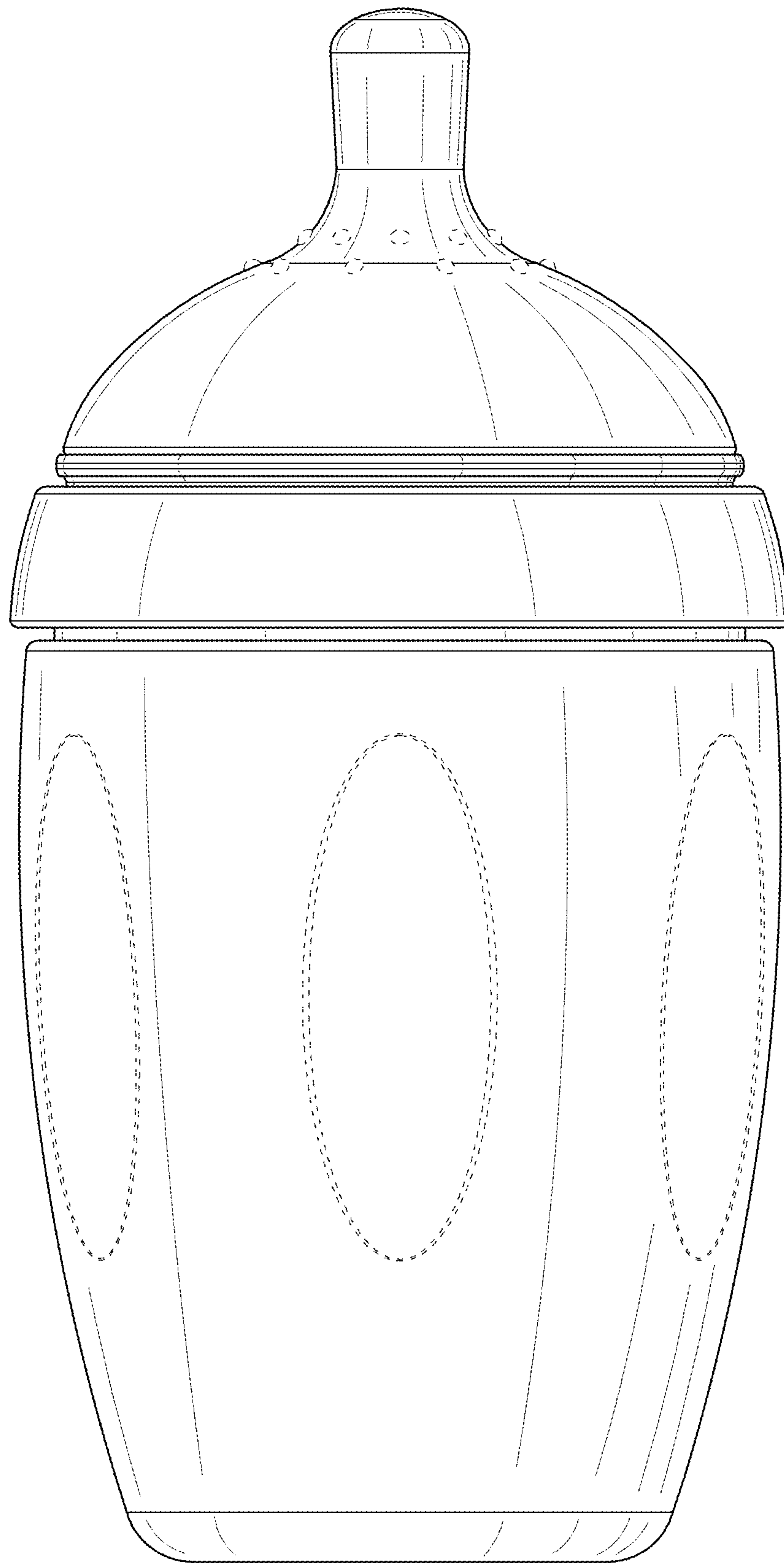


**FIG. 2**



**FIG. 3**





**FIG. 4**

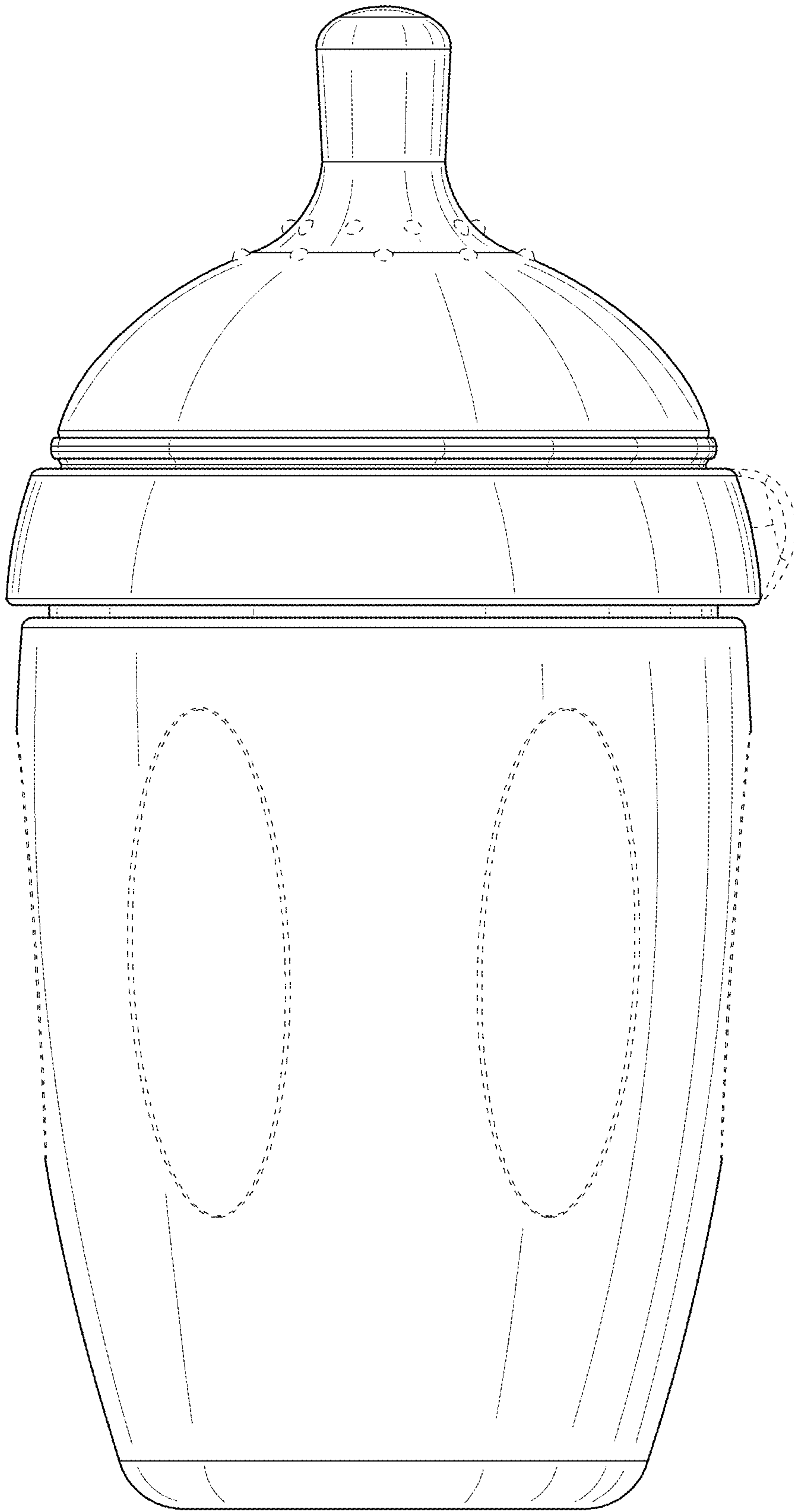


FIG. 5

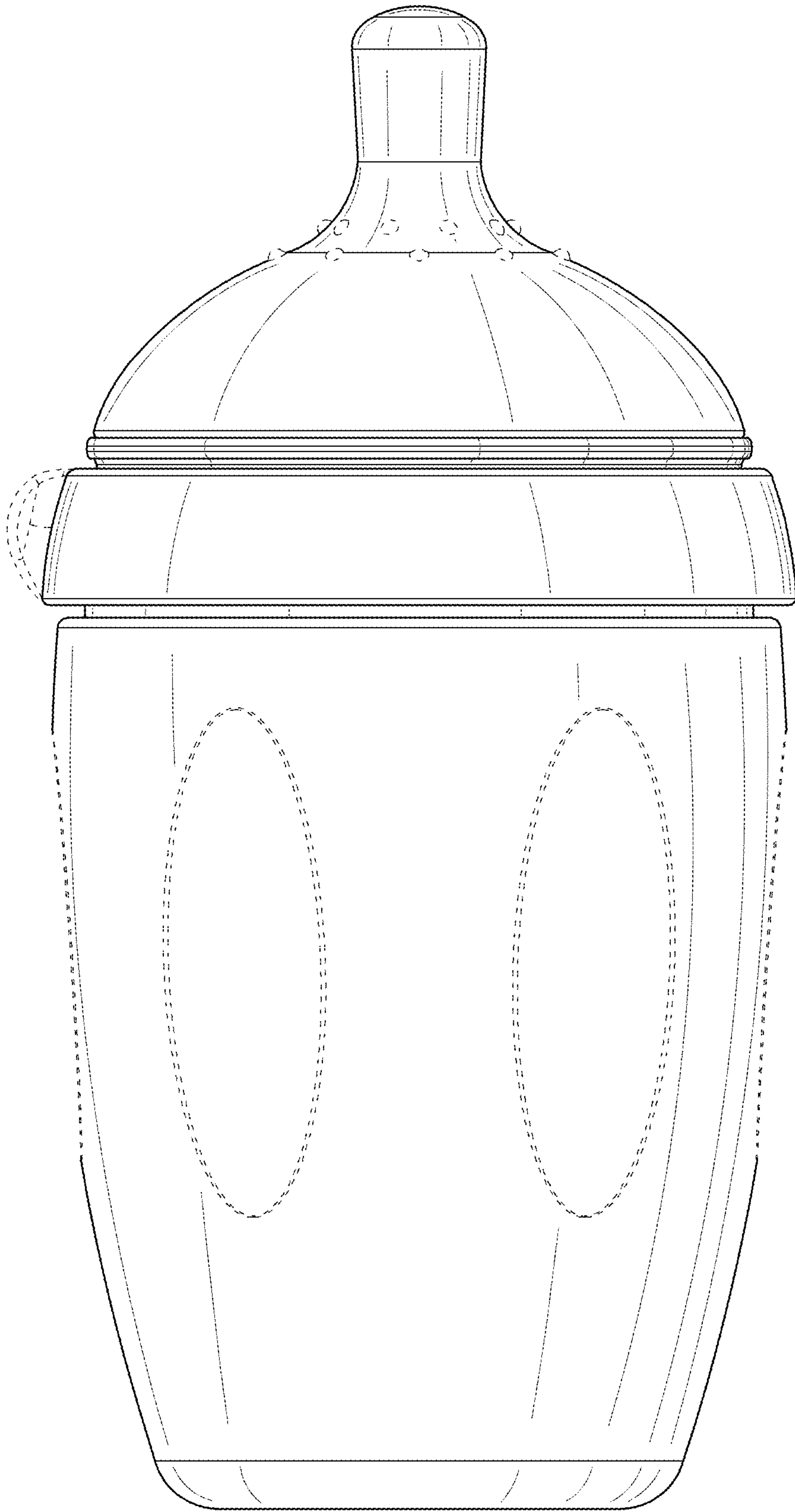
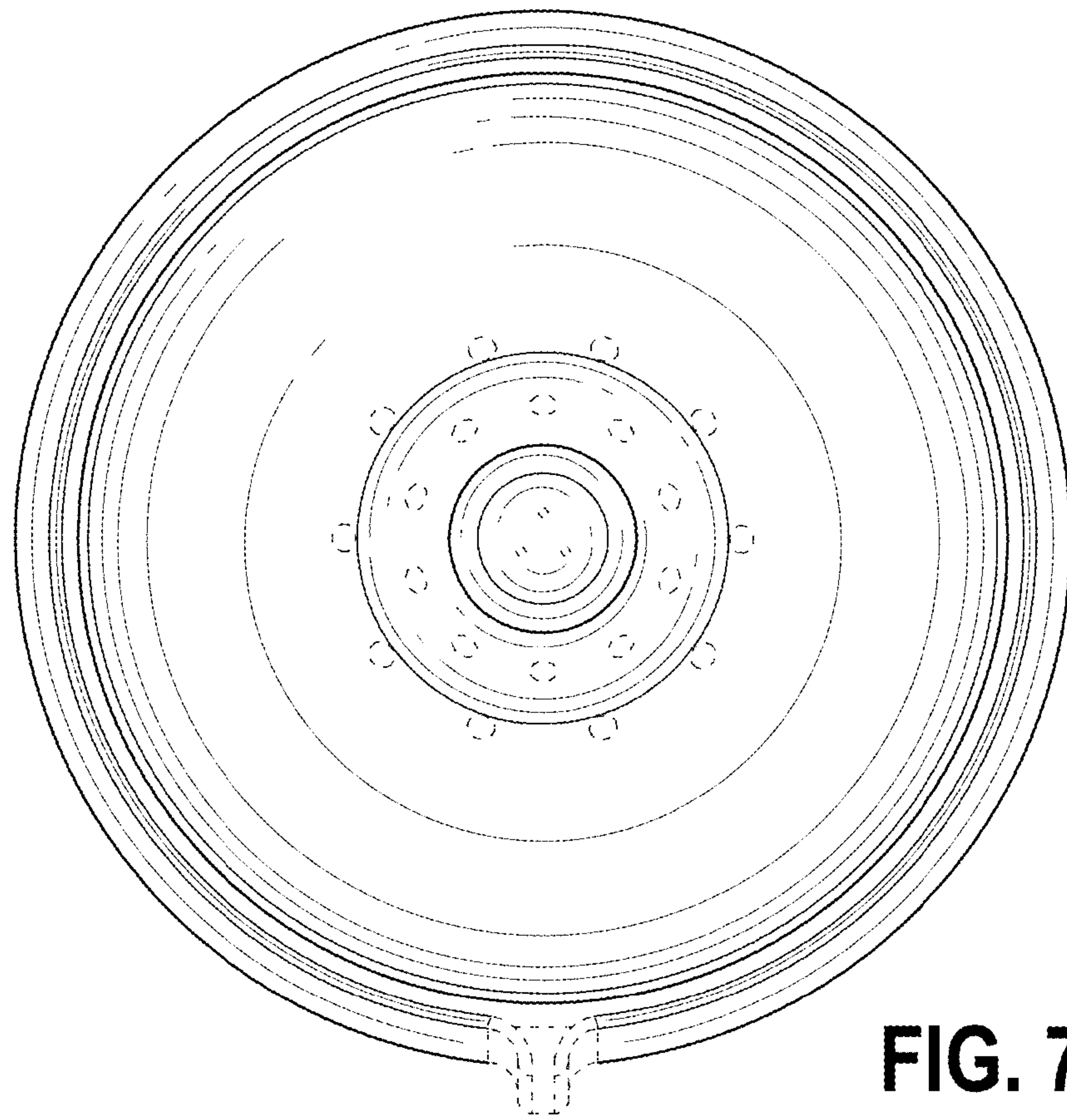
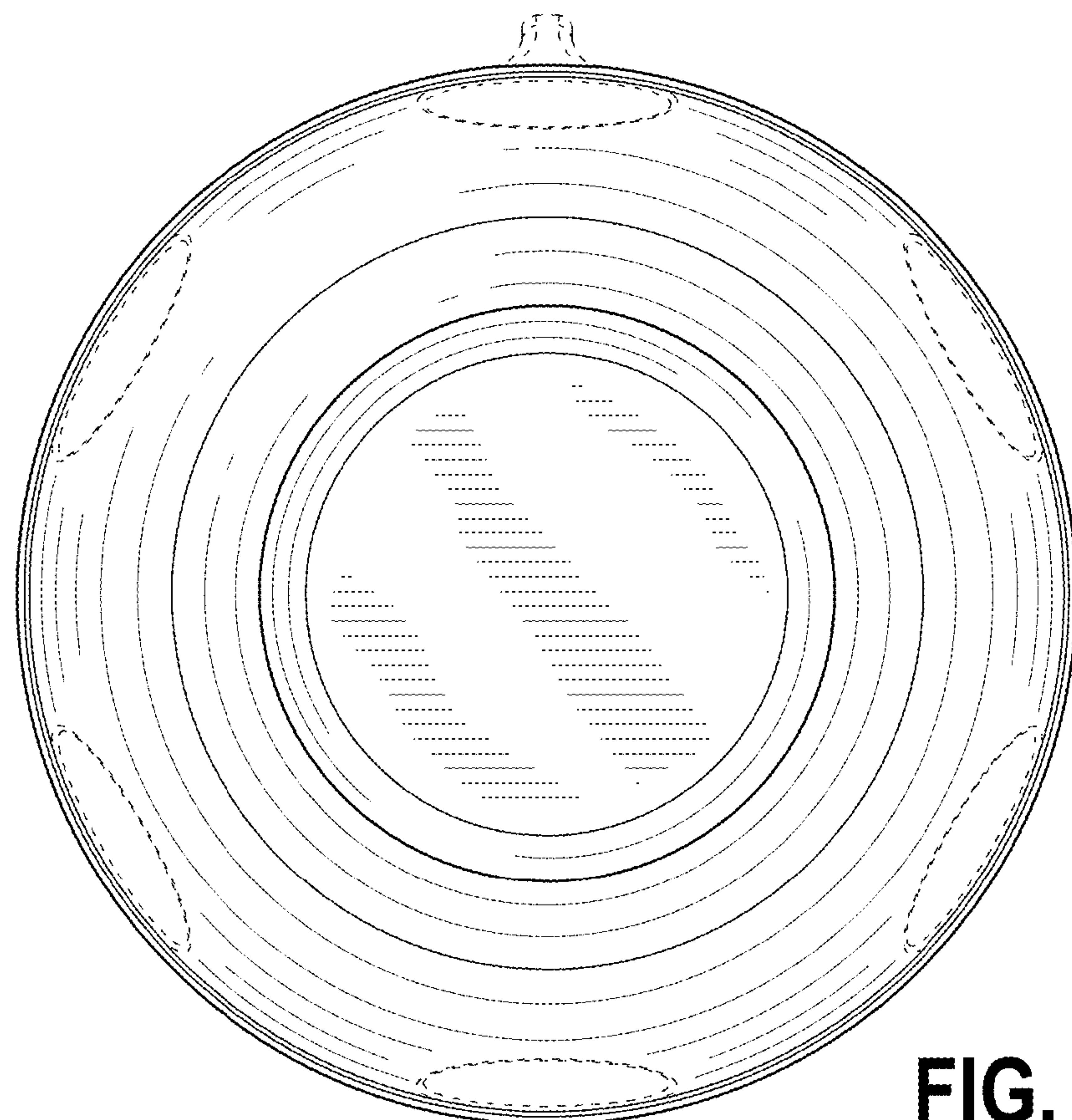


FIG. 6





**FIG. 7**



**FIG. 8**