



US00D878611S

(12) **United States Design Patent**
Zhuang

(10) **Patent No.:** **US D878,611 S**

(45) **Date of Patent:** **** Mar. 17, 2020**

(54) **SUPPORT FRAME OF A NECK COVER**

D762,400 S * 8/2016 Wong A47C 7/383
D6/601

(71) Applicant: **Xiaofeng Zhuang**, Ruian (CN)

D815,747 S 4/2018 Kellock

D844,154 S 3/2019 Kellock et al.

D844,155 S 3/2019 Kellock et al.

D858,782 S 9/2019 Kellock et al.

D862,713 S * 10/2019 Wendling D24/191

2011/0225736 A1 * 9/2011 Schwingendorf A61F 5/3707
5/652

(**) Term: **15 Years**

(21) Appl. No.: **29/712,228**

* cited by examiner

(22) Filed: **Nov. 6, 2019**

Primary Examiner — Jennifer L Watkins

(51) **LOC (12) Cl.** **24-01**

(74) *Attorney, Agent, or Firm* — ScienBiziP, P.C.

(52) **U.S. Cl.**
USPC **D24/190**

(57) **CLAIM**

(58) **Field of Classification Search**
USPC D6/601; D24/188–190; D2/501
CPC A61F 5/3707; A61F 5/055; B60N 2/4879;
B60N 2/4882; B60N 2/48; A47G 9/1009;
A47G 9/1054; A47G 9/1081; Y10S
128/23; A47C 7/383; A47C 16/00; A47C
7/38; A47C 7/029; A47C 31/126

The ornamental design for a support frame of a neck cover,
as shown and described.

DESCRIPTION

See application file for complete search history.

FIG. 1 is a front perspective view of a support frame of a
neck cover, showing my design.

FIG. 2 is a rear perspective view thereof.

FIG. 3 is a front elevation view thereof.

FIG. 4 is a rear elevation view thereof.

FIG. 5 is a left side elevation view thereof.

FIG. 6 is a right side elevation view thereof.

FIG. 7 is a top plan view thereof; and,

FIG. 8 is a bottom plan view thereof.

The details shown in broken lines form no part of the
claimed design.

(56) **References Cited**

U.S. PATENT DOCUMENTS

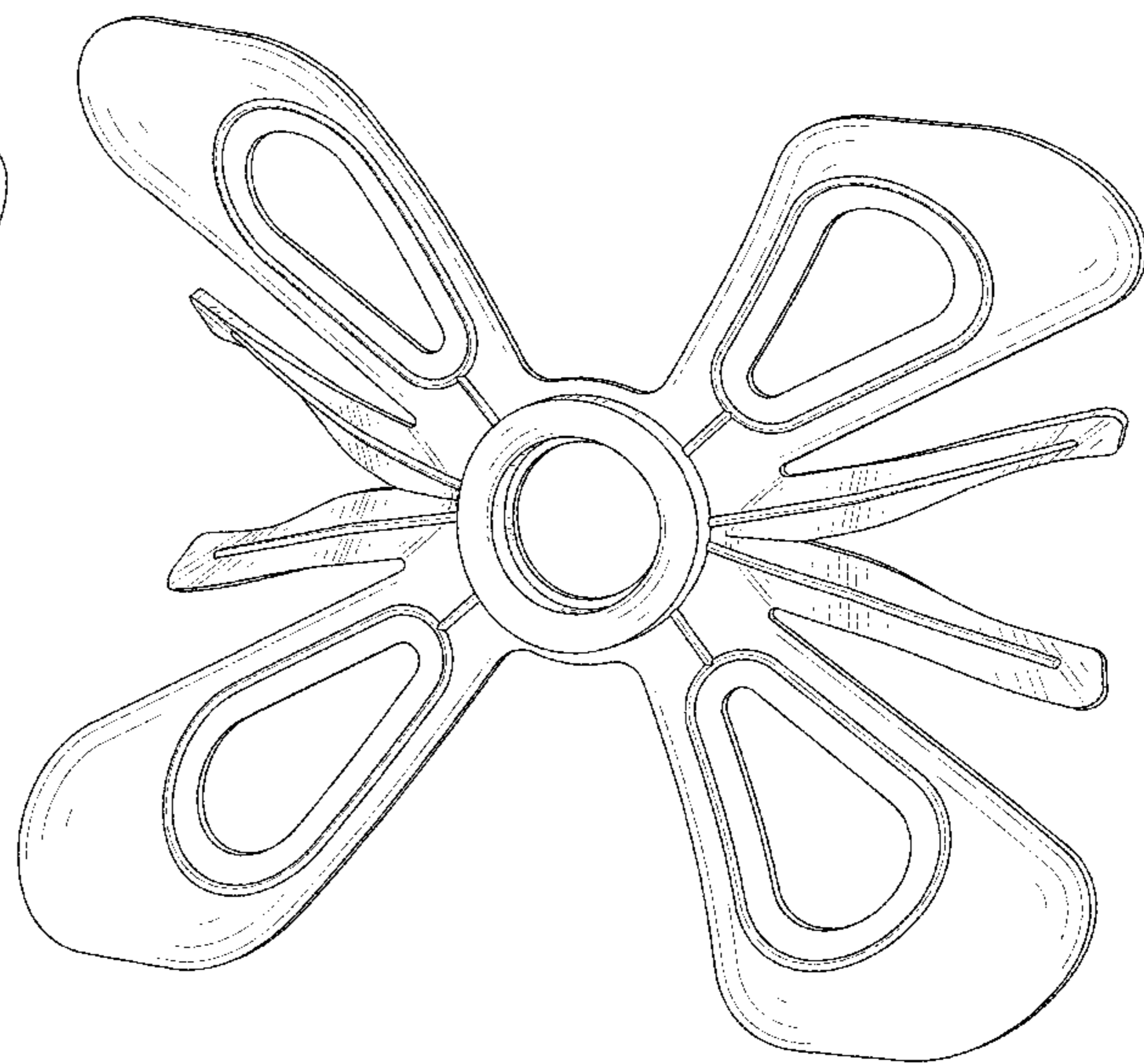
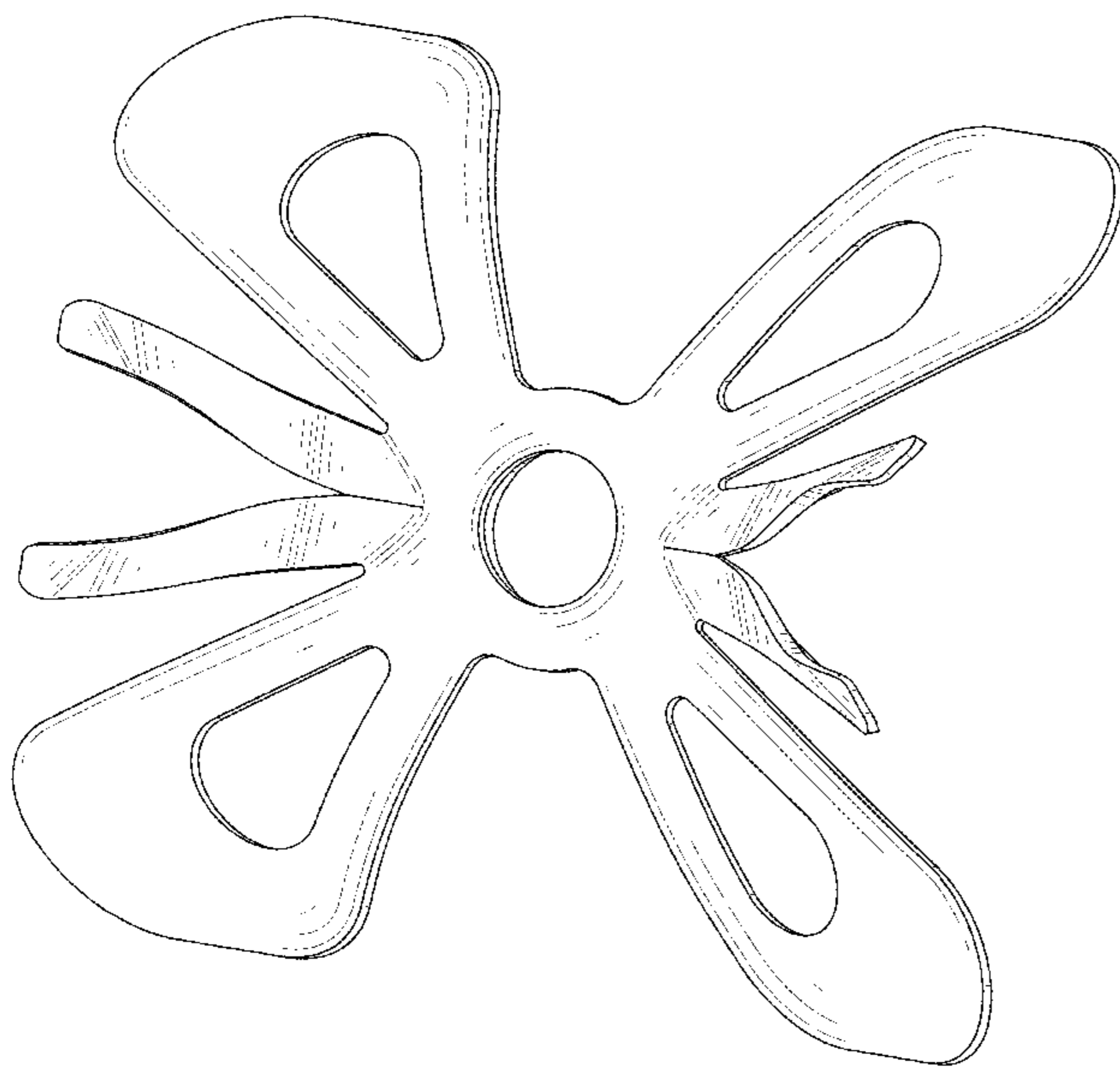
6,308,345 B1 * 10/2001 Williams, Jr. A41D 13/0512
2/467

D609,815 S * 2/2010 Patterson D24/191

D616,997 S * 6/2010 Thorgilsdottir D24/191

D690,015 S * 9/2013 Evans D24/184

1 Claim, 8 Drawing Sheets



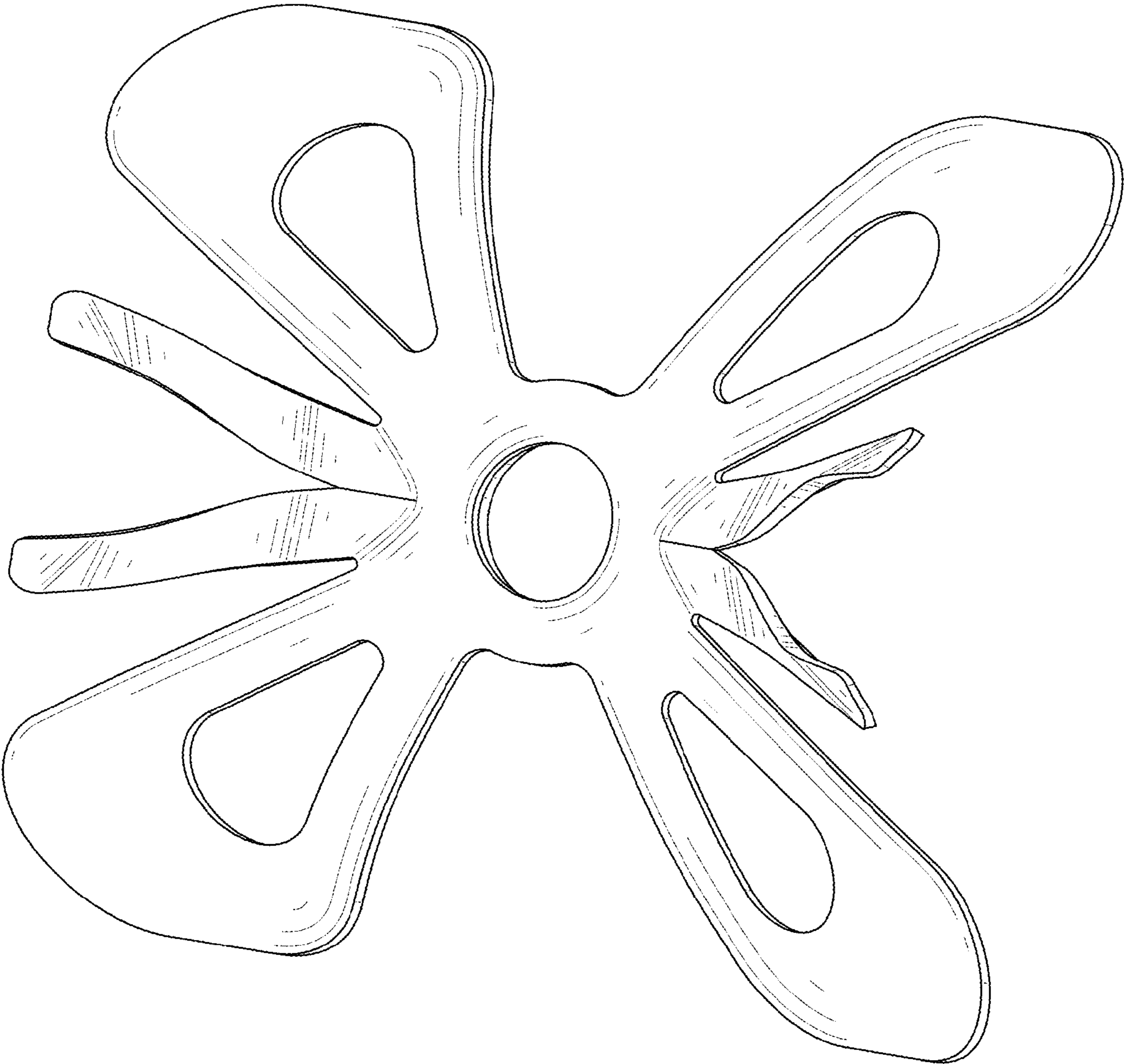


FIG. 1

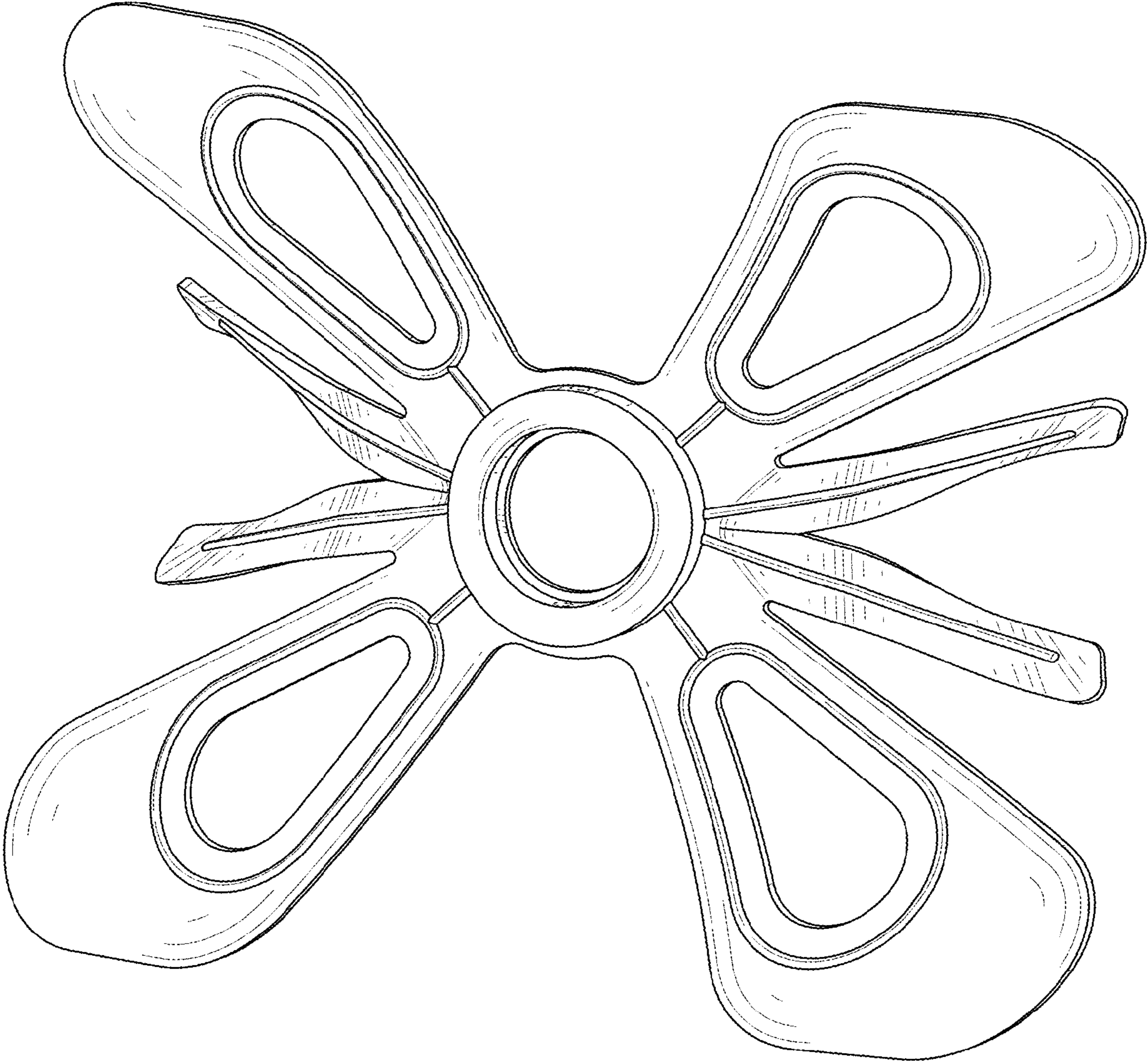


FIG. 2

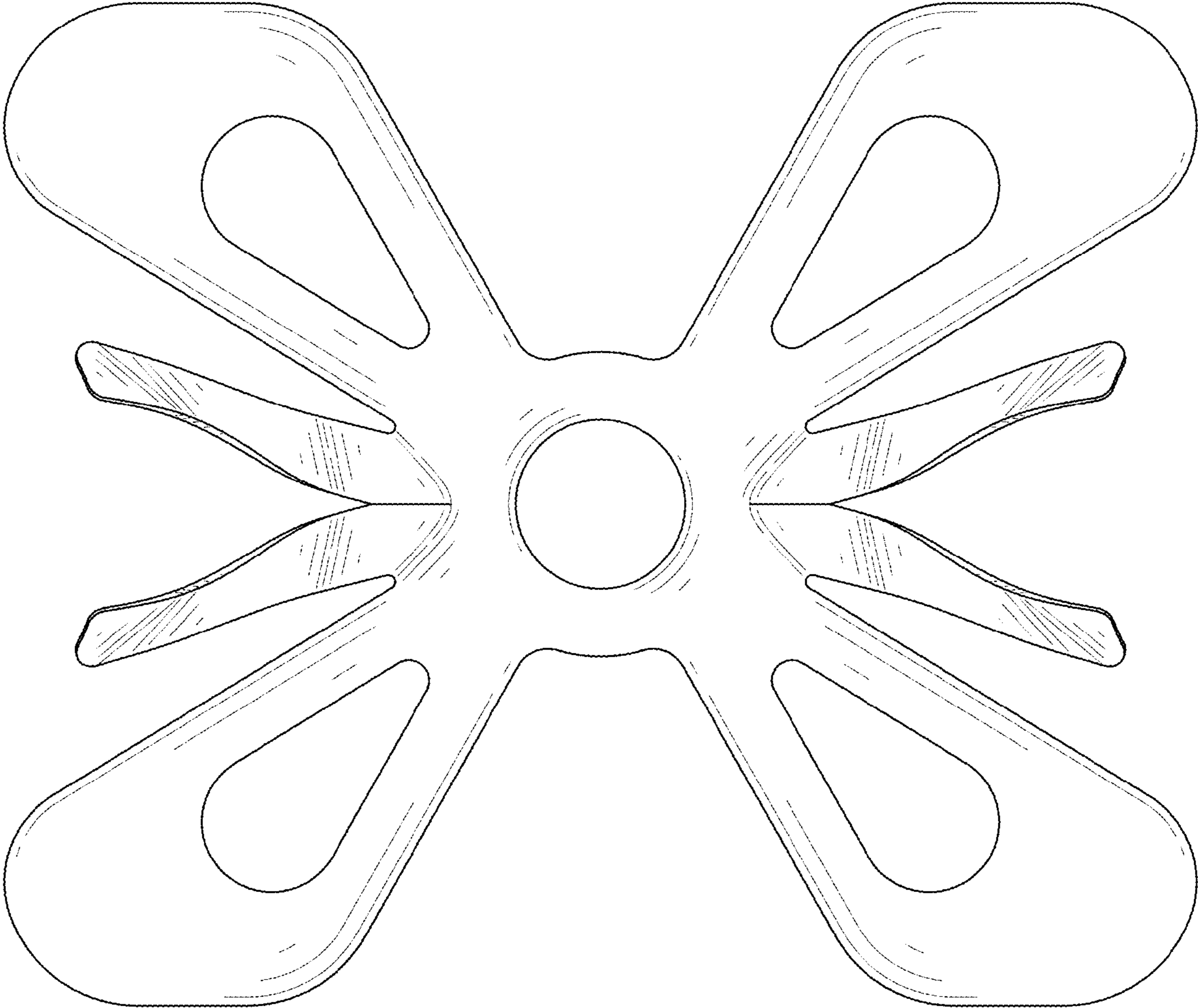


FIG. 3

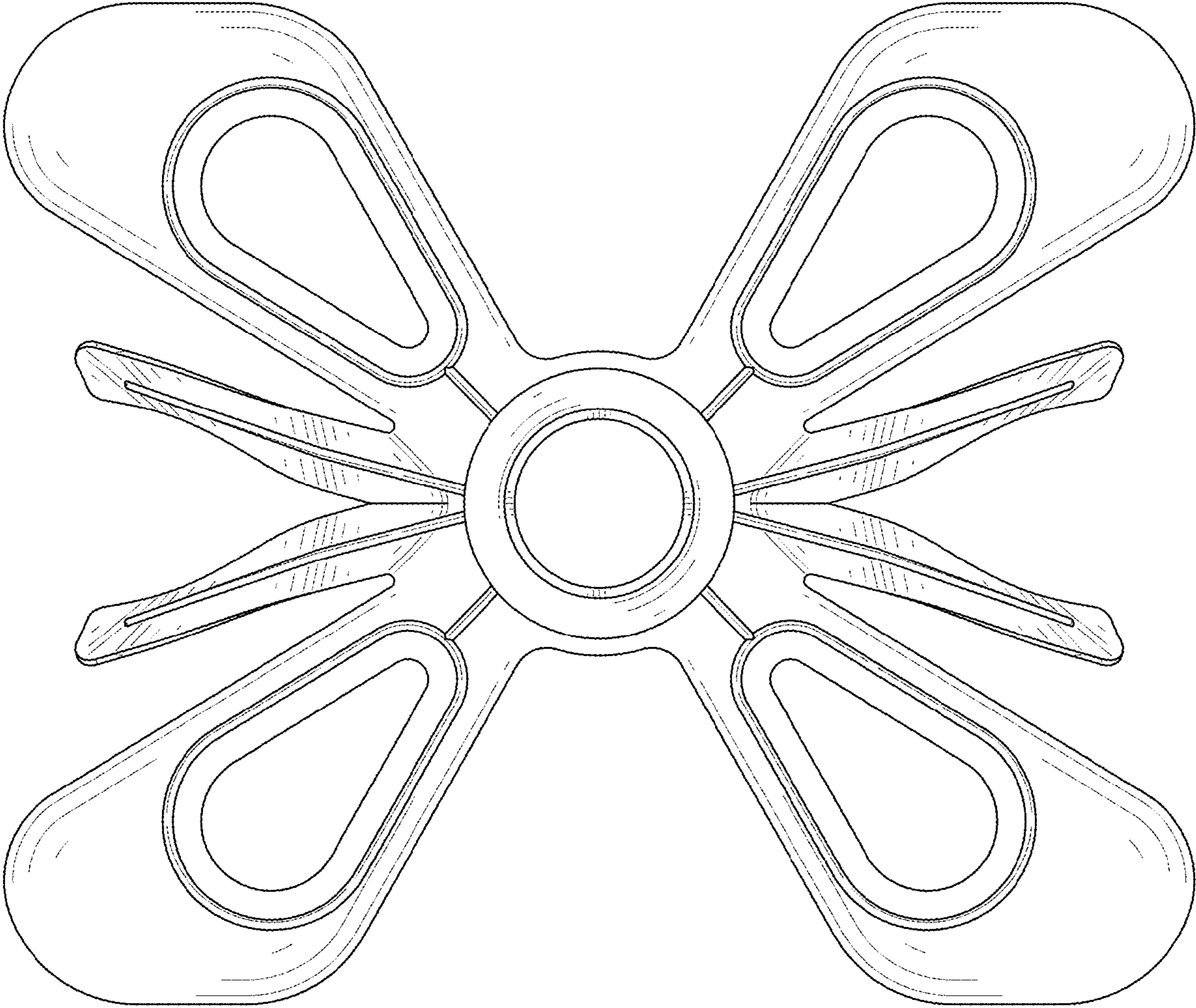


FIG. 4

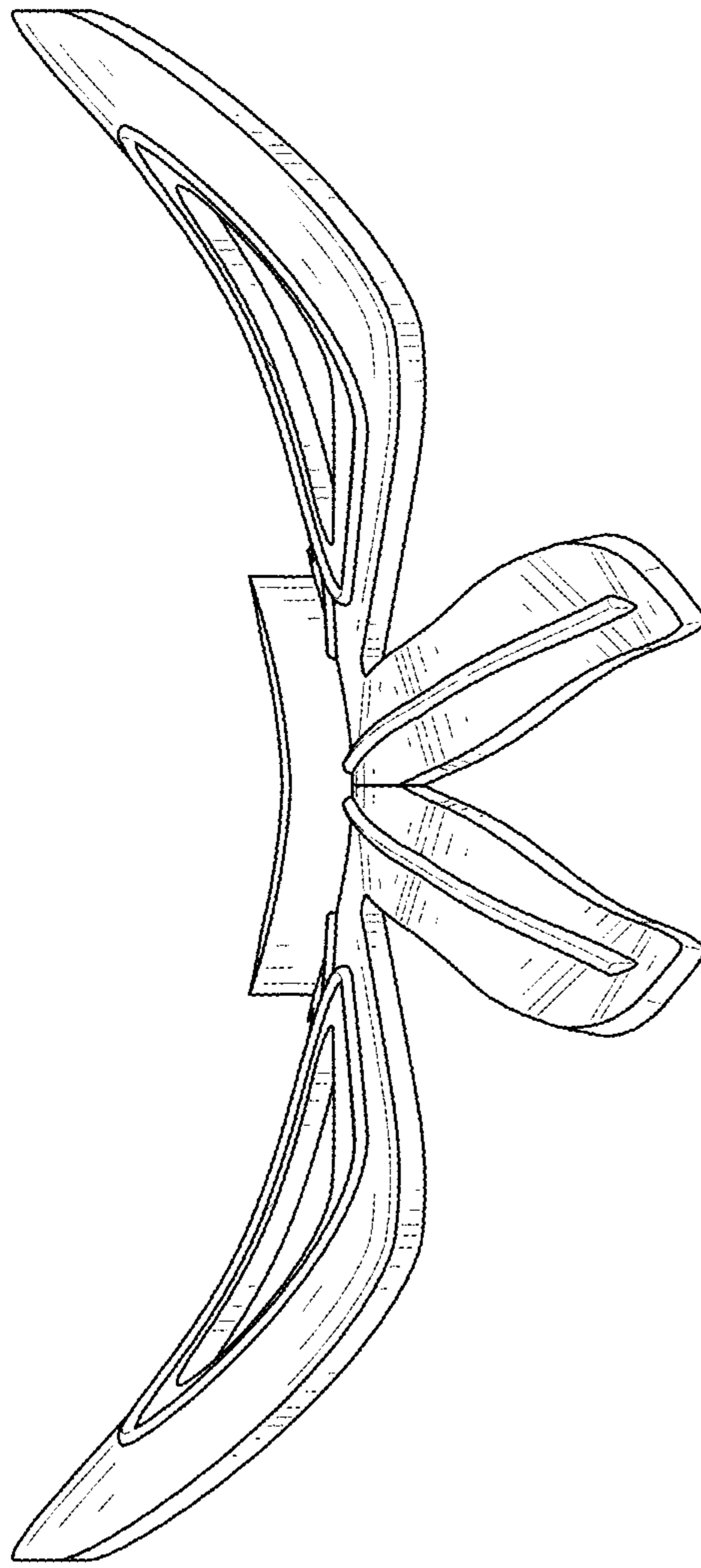


FIG. 5

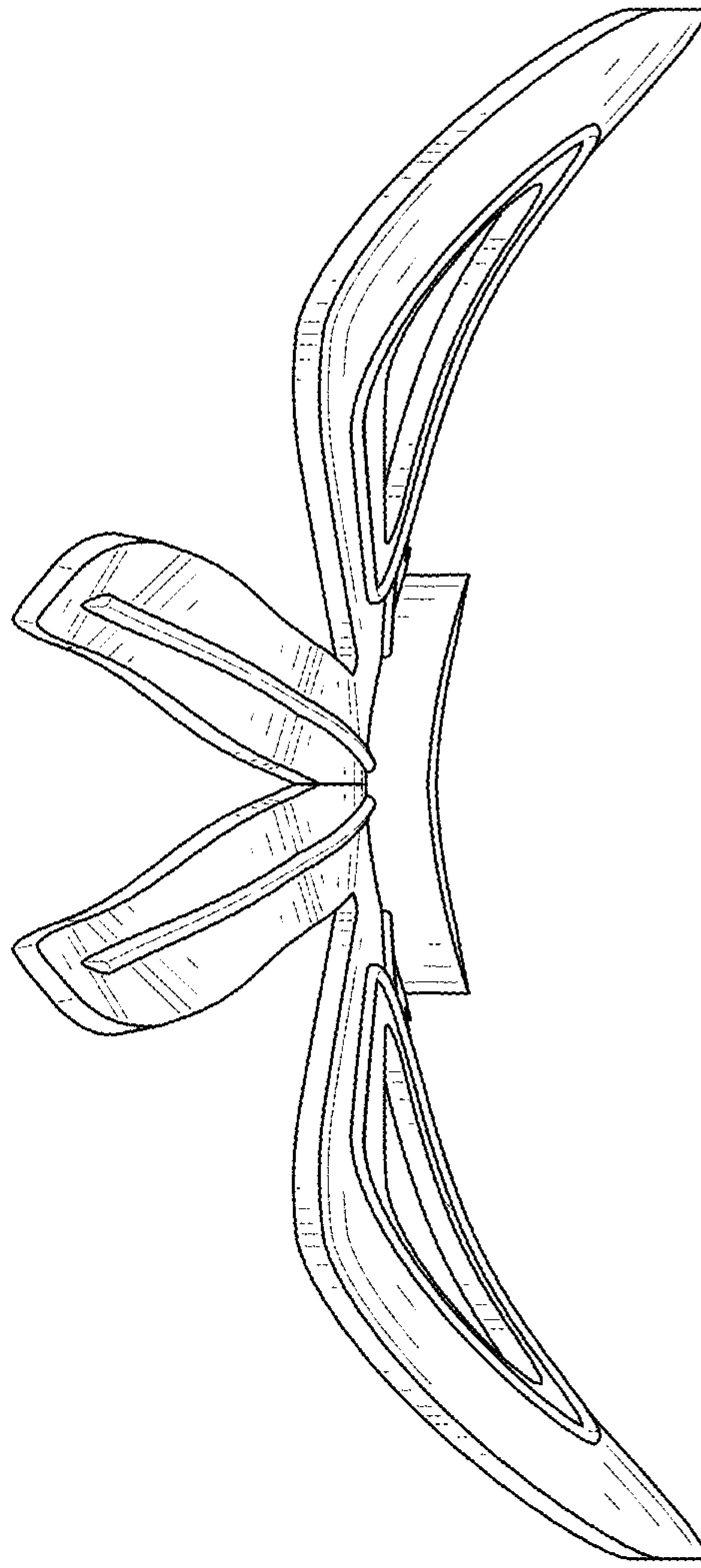


FIG. 6

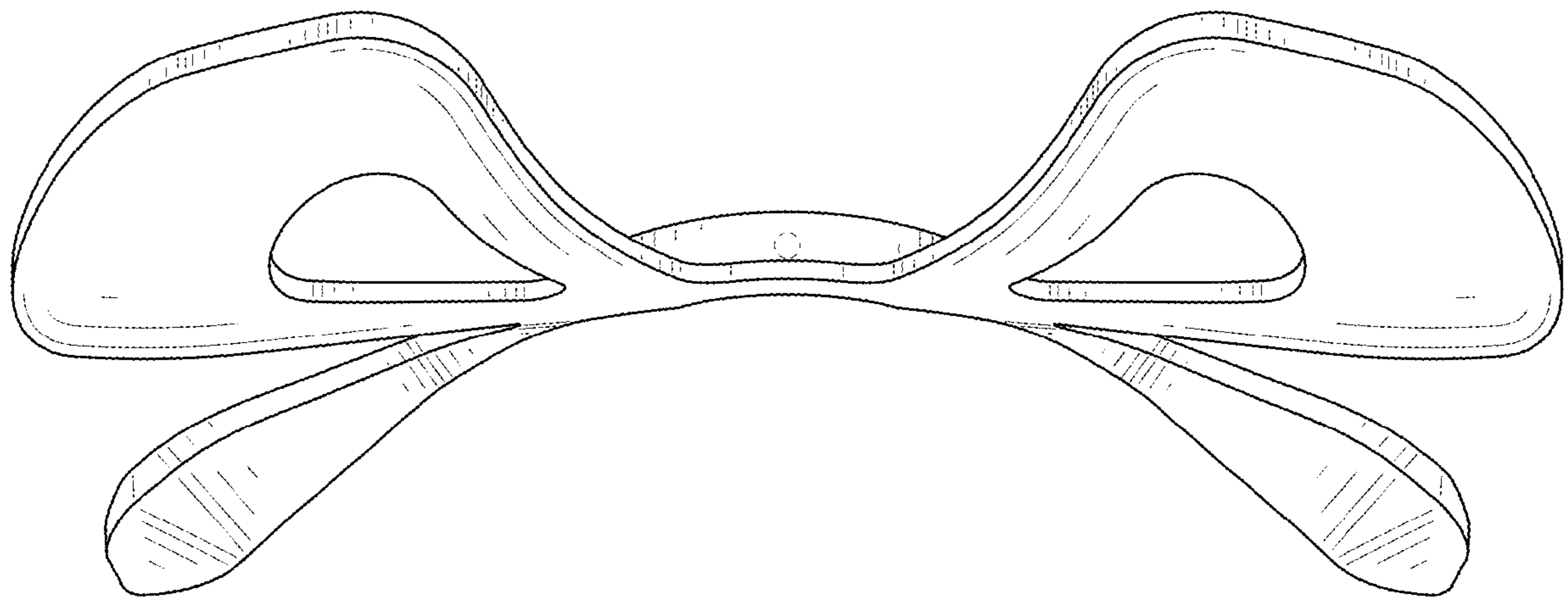


FIG. 7

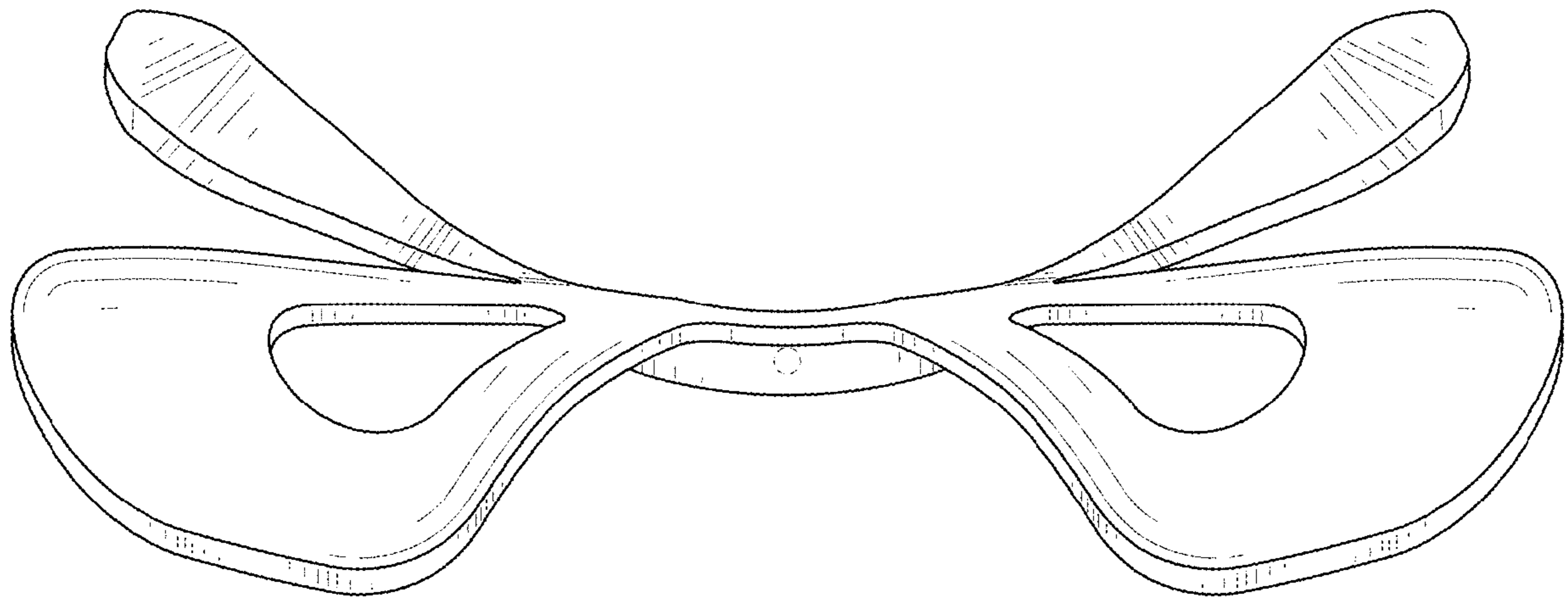


FIG. 8