



US00D878610S

(12) **United States Design Patent**
Boston

(10) **Patent No.:** **US D878,610 S**
(45) **Date of Patent:** **** Mar. 17, 2020**

(54) **THERAPEUTIC HEART PAD**

DESCRIPTION

(71) Applicant: **Elliot Boston**, Moline, IL (US)

(72) Inventor: **Elliot Boston**, Moline, IL (US)

(**) Term: **15 Years**

(21) Appl. No.: **29/669,948**

(22) Filed: **Nov. 13, 2018**

Related U.S. Application Data

(63) Continuation-in-part of application No. 14/468,964, filed on Aug. 26, 2014, now abandoned.

(51) **LOC (12) Cl.** **24-04**

(52) **U.S. Cl.**

USPC **D24/190**; D29/101.1

(58) **Field of Classification Search**

USPC D24/189–192; D2/828–830;
D3/215–217, 222; D29/101.1

CPC A45F 3/04; A45F 3/14; A45F 5/00; A45F
2003/045

See application file for complete search history.

(56) **References Cited**

U.S. PATENT DOCUMENTS

D245,537 S *	8/1977	Gurgiolo	D24/190
4,183,097 A	1/1980	Mellian		
4,602,385 A	7/1986	Warren		
4,697,285 A	10/1987	Sylvester		
4,829,613 A	5/1989	Yon		

(Continued)

Primary Examiner — Jennifer L Watkins

(74) *Attorney, Agent, or Firm* — Boudwin Intellectual Property; Daniel Boudwin

(57) **CLAIM**

The ornamental design for a therapeutic heart pad, as shown and described.

FIG. 1 shows a perspective view of an assembled therapeutic heart pad;

FIG. 2 shows a front view of the assembled therapeutic heart pad;

FIG. 3 shows a rear view of the assembled therapeutic heart pad;

FIG. 4 shows a right side view of the assembled therapeutic heart pad;

FIG. 5 shows a left side view of the assembled therapeutic heart pad;

FIG. 6 shows a top plan view of the assembled therapeutic heart pad;

FIG. 7 shows a bottom plan view of the assembled therapeutic heart pad;

FIG. 8 shows a front view of the front panel of the therapeutic heart pad;

FIG. 9 shows a rear view of the front panel of the therapeutic heart pad;

FIG. 10 shows a right side view of the front panel of the therapeutic heart pad;

FIG. 11 shows a left side view of the front panel of the therapeutic heart pad;

FIG. 12 shows a top plan view of the front panel of the therapeutic heart pad;

FIG. 13 shows a bottom plan view of the front panel of the therapeutic heart pad;

FIG. 14 shows a front view of the back panel of the therapeutic heart pad;

FIG. 15 shows a rear view of the back panel of the therapeutic heart pad;

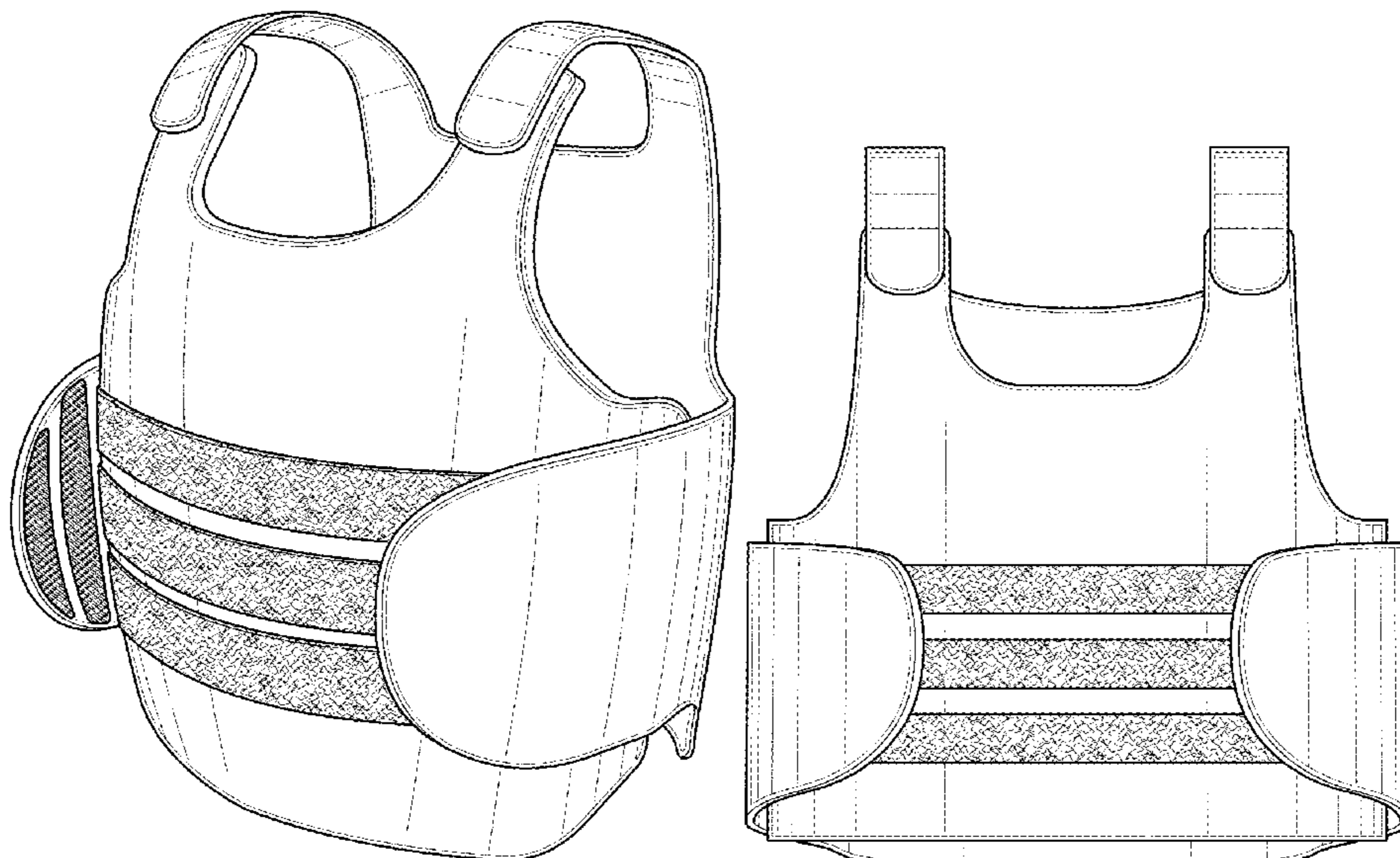
FIG. 16 shows a right side view of the back panel of the therapeutic heart pad;

FIG. 17 shows a left side view of the back panel of the therapeutic heart pad;

FIG. 18 shows a top plan view of the back panel of the therapeutic heart pad; and,

FIG. 19 shows a bottom plan view of the back panel of the therapeutic heart pad.

1 Claim, 8 Drawing Sheets



(56)

References Cited

U.S. PATENT DOCUMENTS

5,072,455 A	12/1991	Ours		D728,051 S *	4/2015	Rhind	D21/805
D381,429 S *	7/1997	Millwood	D24/190	D767,772 S *	9/2016	Jiminez	D24/190
5,692,238 A	12/1997	Watson, Jr.		9,456,919 B2 *	10/2016	Pollack	A61F 5/026
5,692,246 A	12/1997	Benedick		D818,132 S *	5/2018	Hille	D24/190
6,189,149 B1	2/2001	Allen		D853,106 S *	7/2019	Pinnick	D3/217
6,256,790 B1	7/2001	Rankin		D858,780 S *	9/2019	Sikandar	D24/190
D452,047 S	12/2001	Ditchfield et al.		2008/0216219 A1 *	9/2008	Desnoyers	A41D 13/0153
6,435,617 B1	8/2002	McNair					2/463
D475,506 S	6/2003	Hoffman et al.		2010/0318010 A1 *	12/2010	Sandifer	A61F 5/026
D475,835 S	6/2003	Hoffman et al.					602/19
7,628,157 B2 *	12/2009	Kosh	A61F 5/3792	2012/0078149 A1 *	3/2012	Azimzadeh	A61F 5/024
			128/869				602/19
7,735,151 B1	6/2010	Young et al.		2012/0278966 A1 *	11/2012	Ju	A61F 5/026
D627,072 S *	11/2010	Kosh	D24/190				2/69
D640,417 S *	6/2011	Haynes	D29/101.4	2012/0284925 A1	11/2012	Bennett	
8,382,692 B1	2/2013	Chao		2012/0291187 A1	11/2012	Hawthorne	
D717,205 S *	11/2014	Kosh	D11/201	2013/0053750 A1 *	2/2013	Taylor	A61F 13/06
							602/75
				2014/0082819 A1	3/2014	Dunn	

* cited by examiner

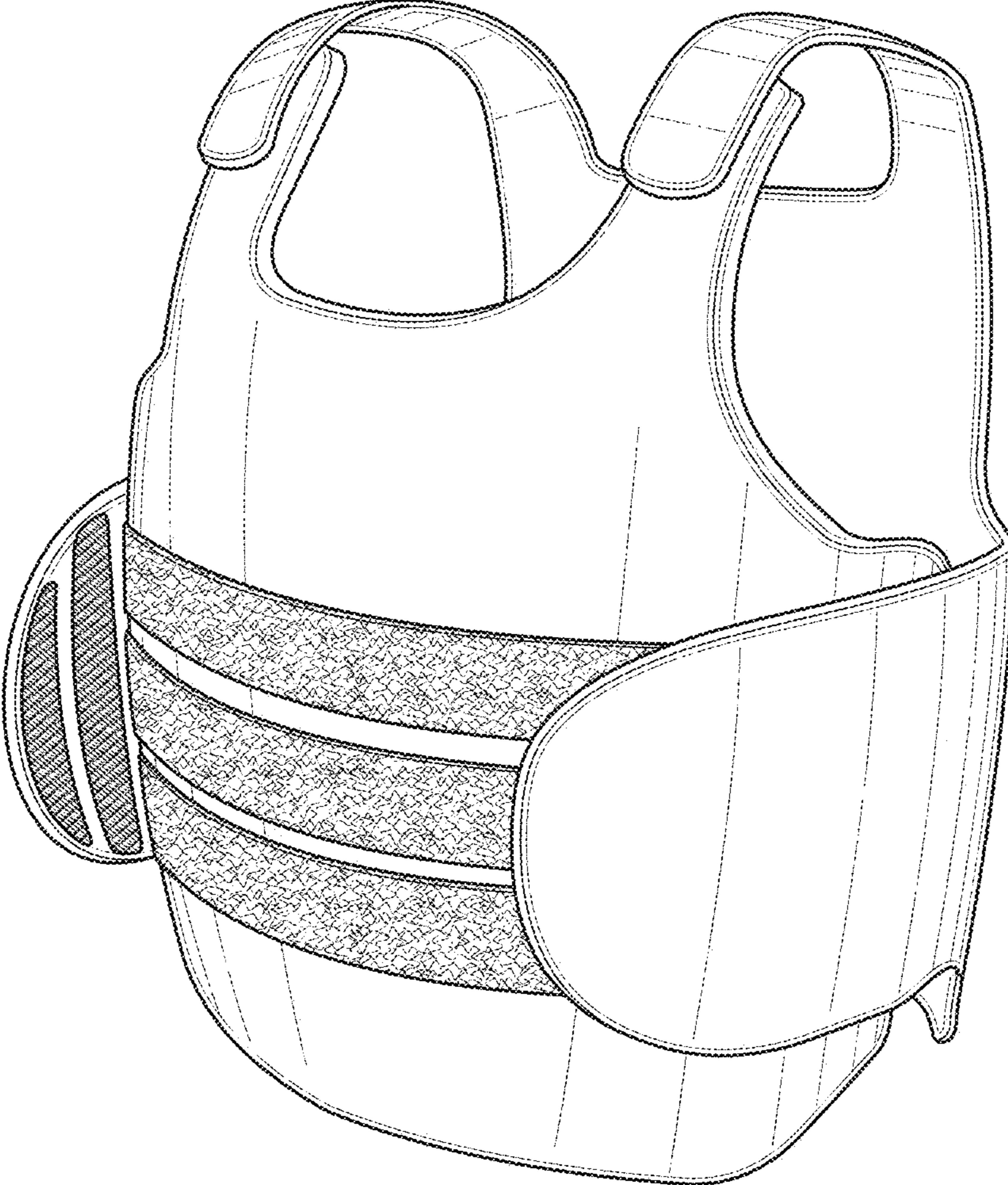


FIG. 1

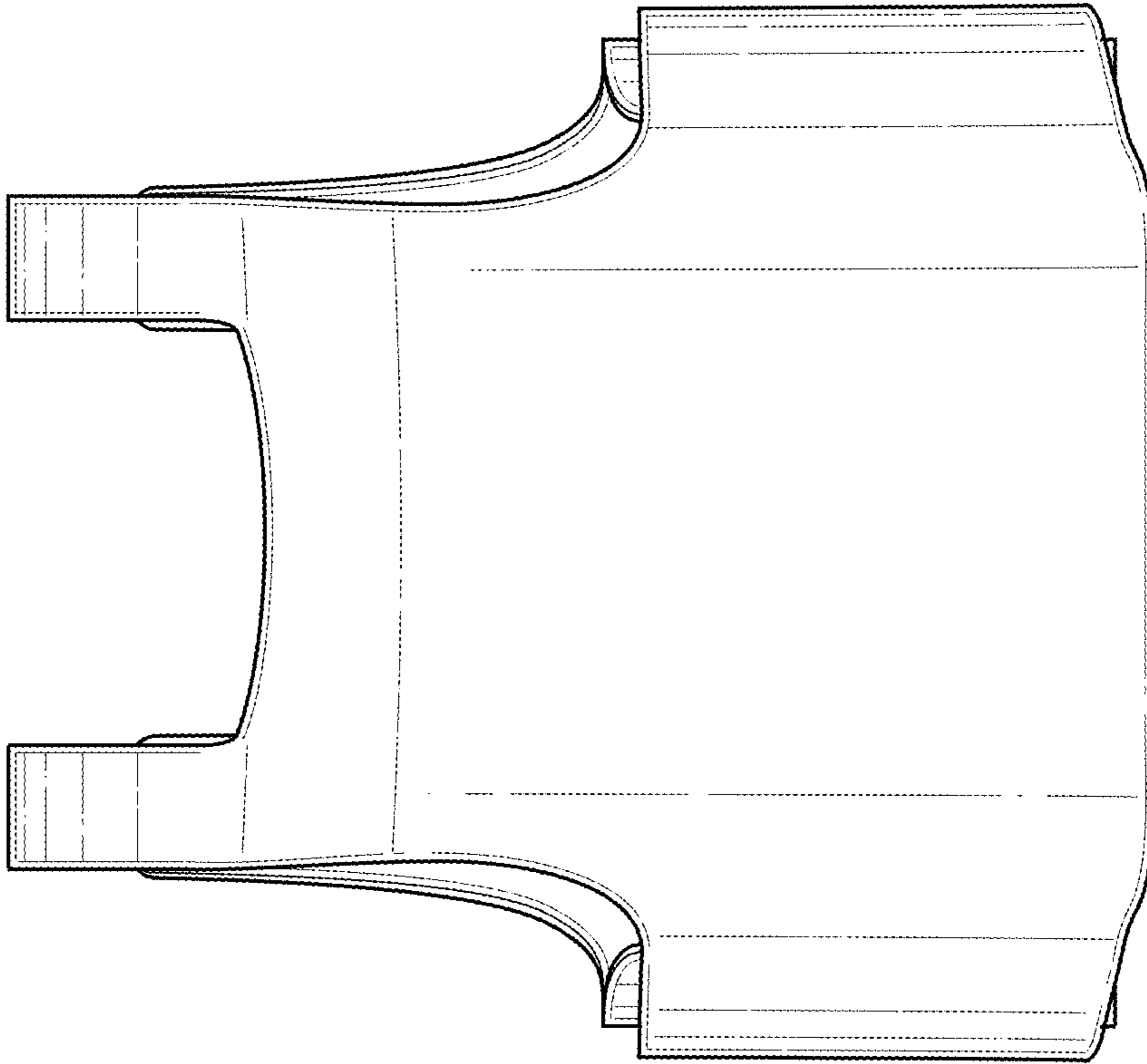


FIG. 2

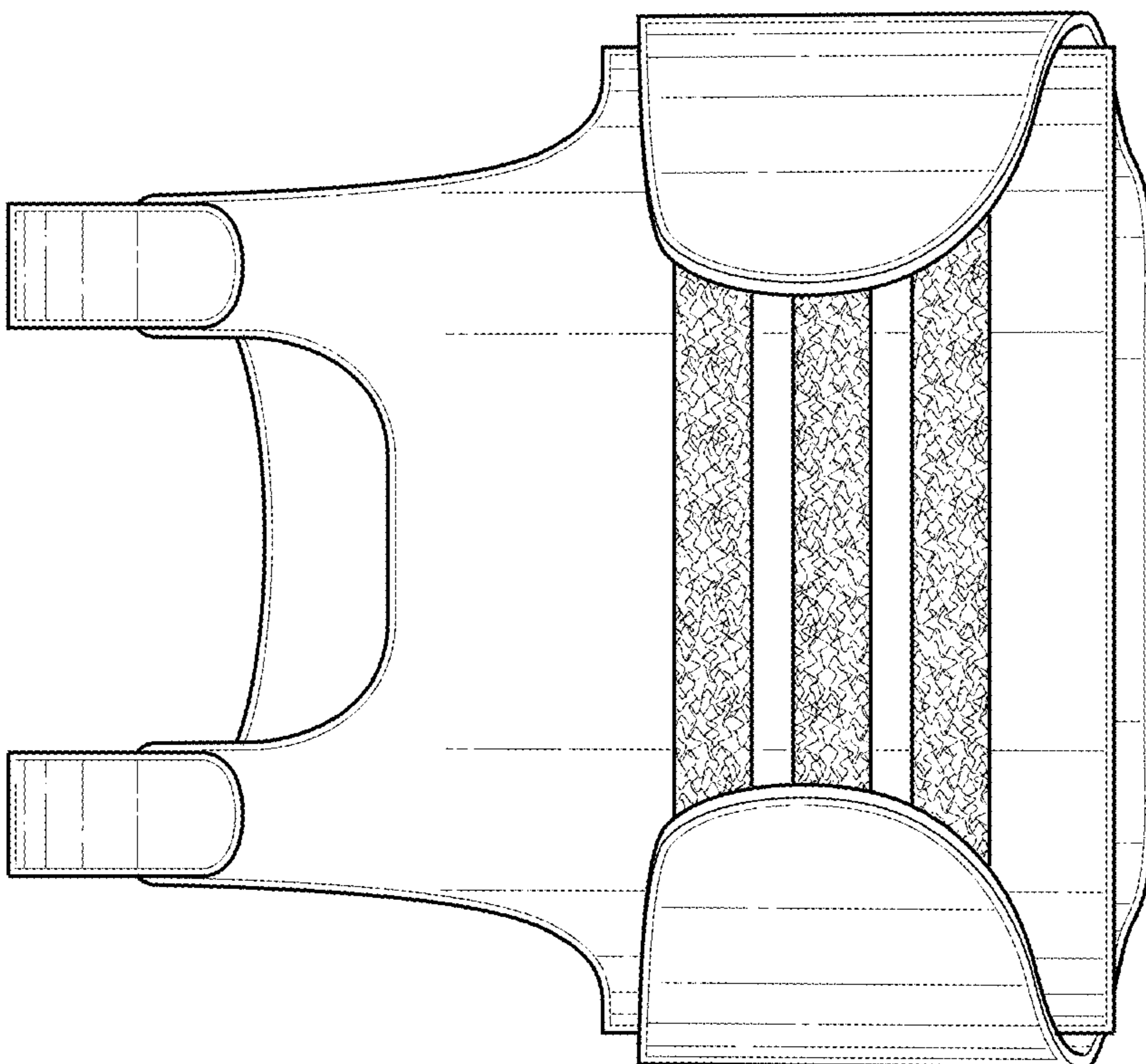


FIG. 3

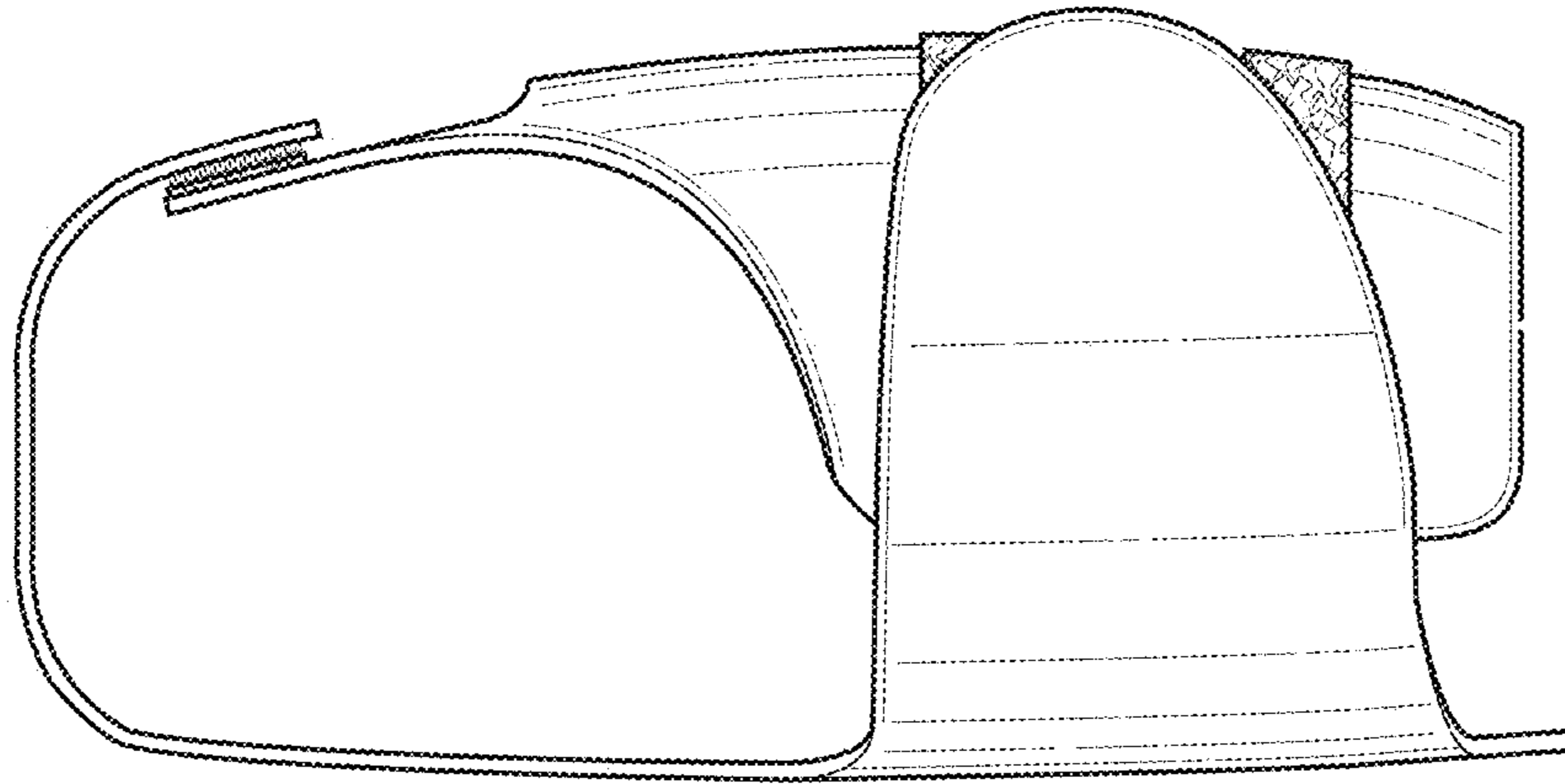


FIG. 5

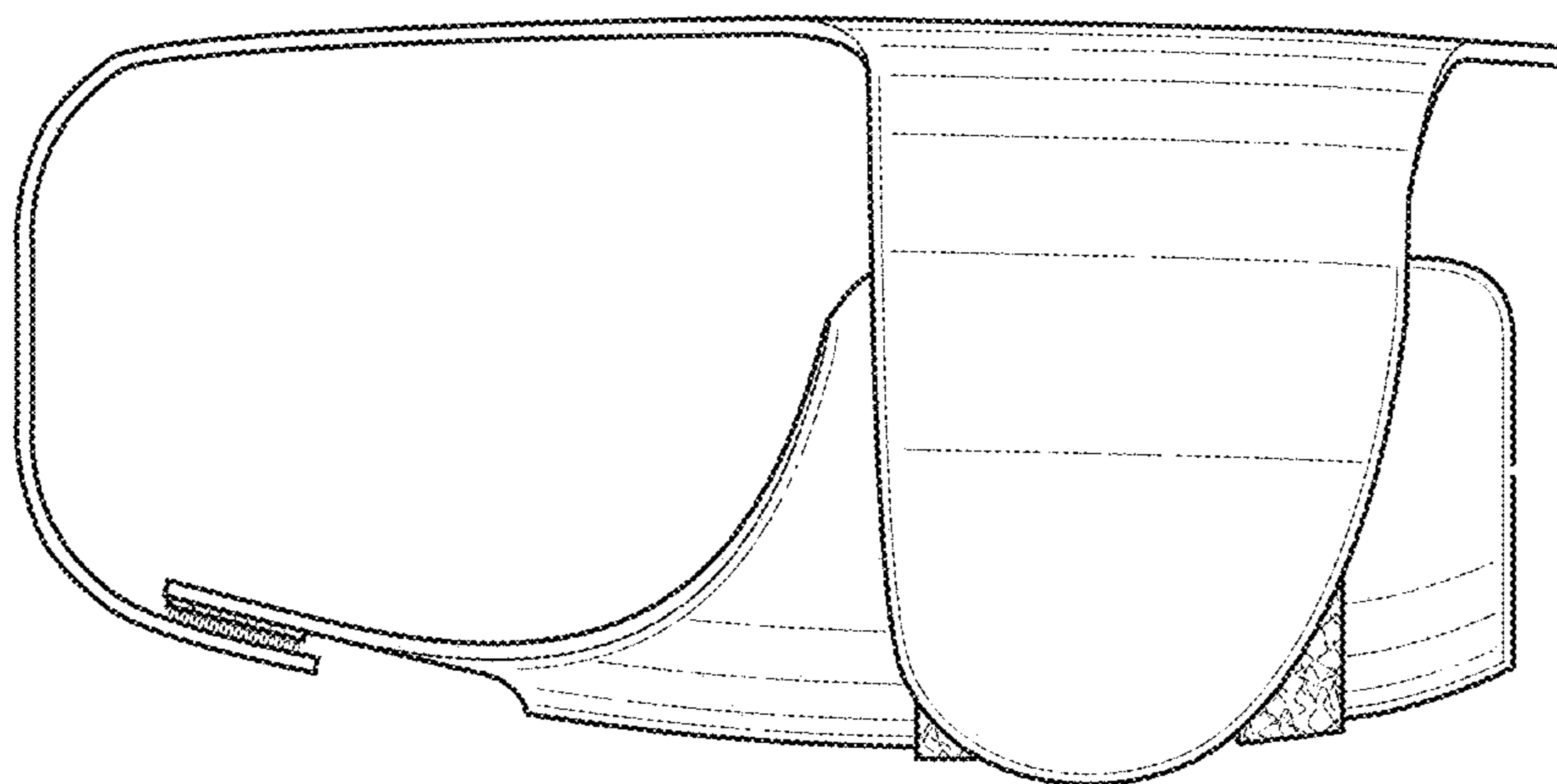


FIG. 4

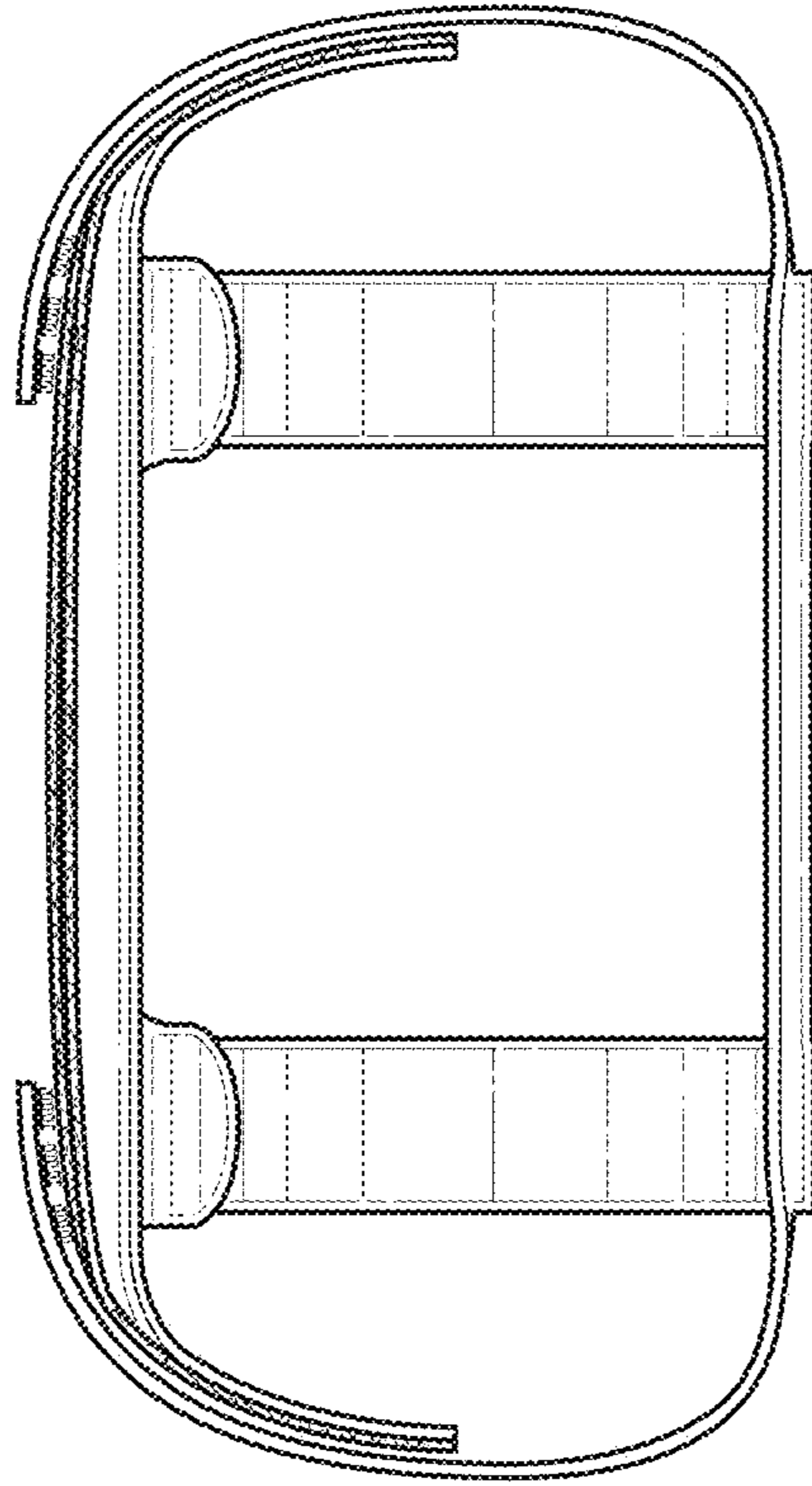


FIG. 7

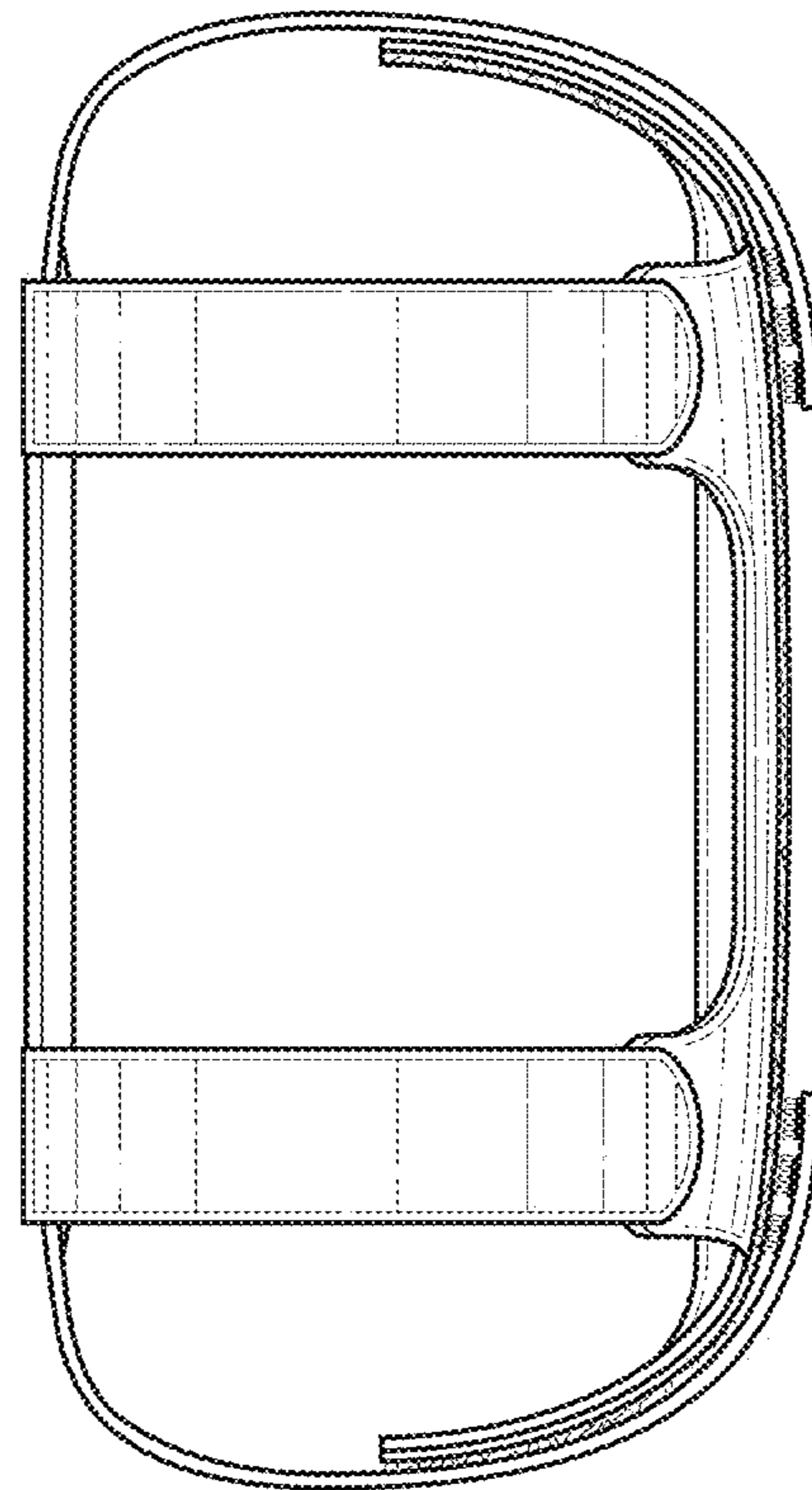


FIG. 6

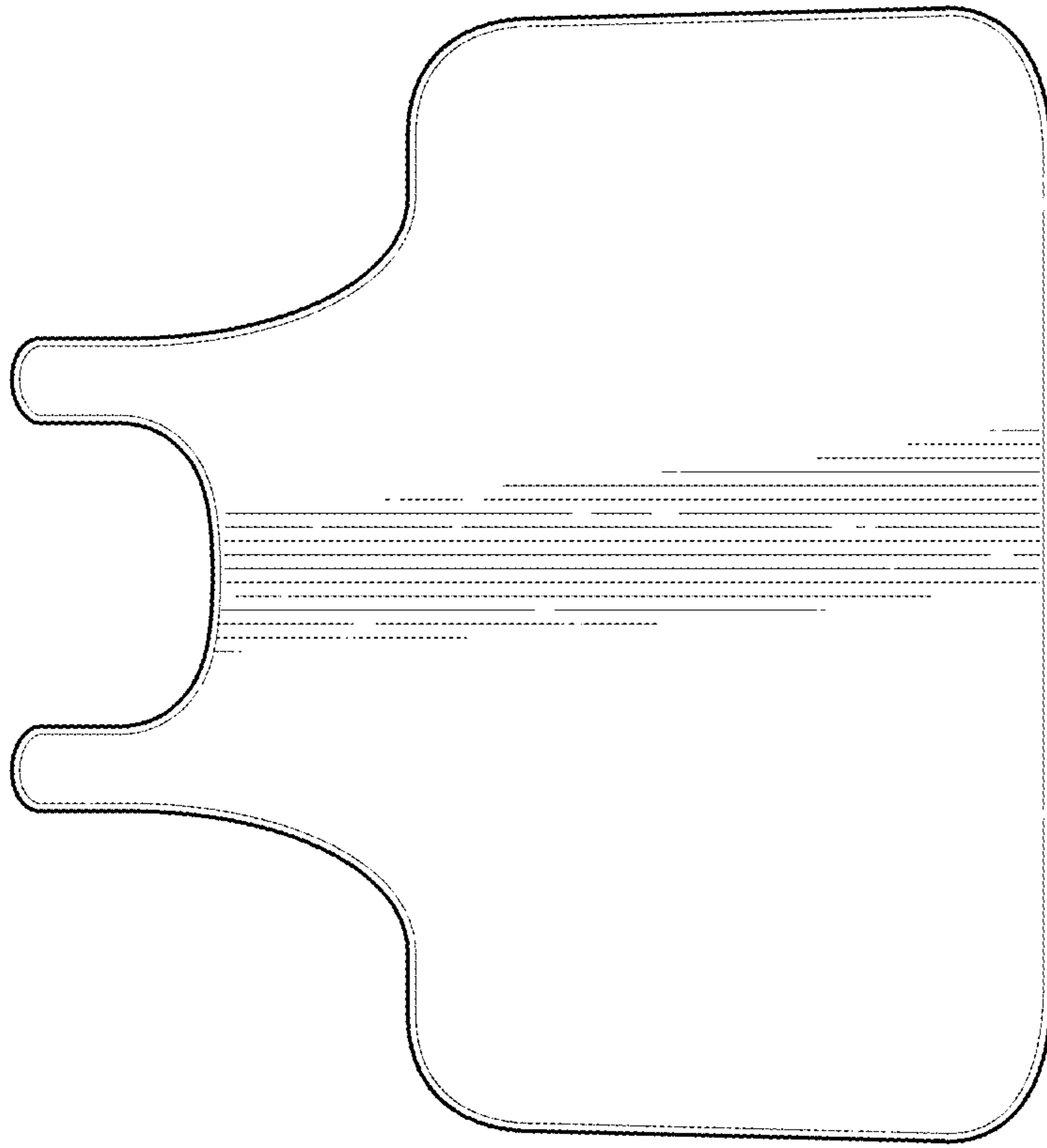


FIG. 8

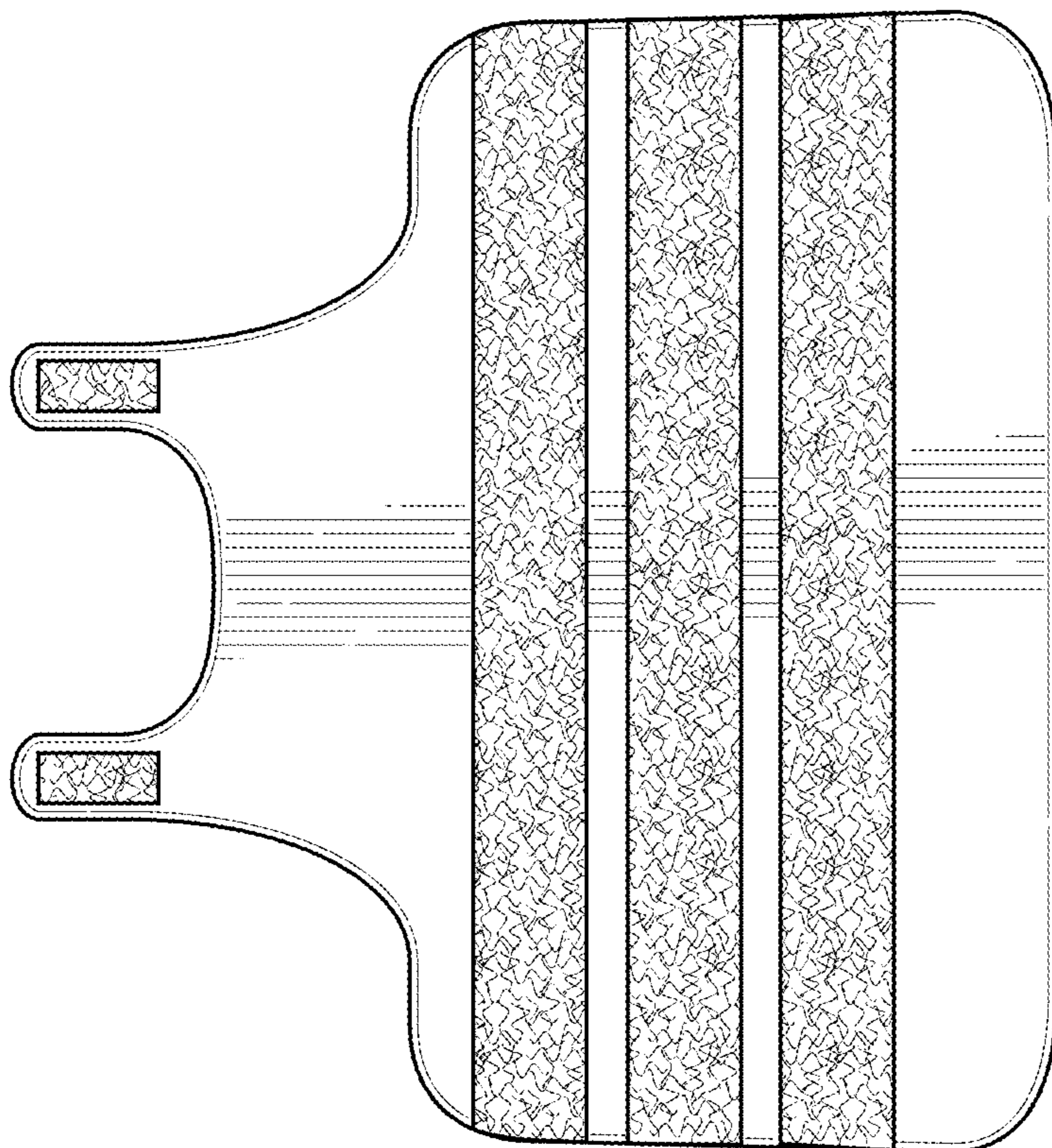


FIG. 9

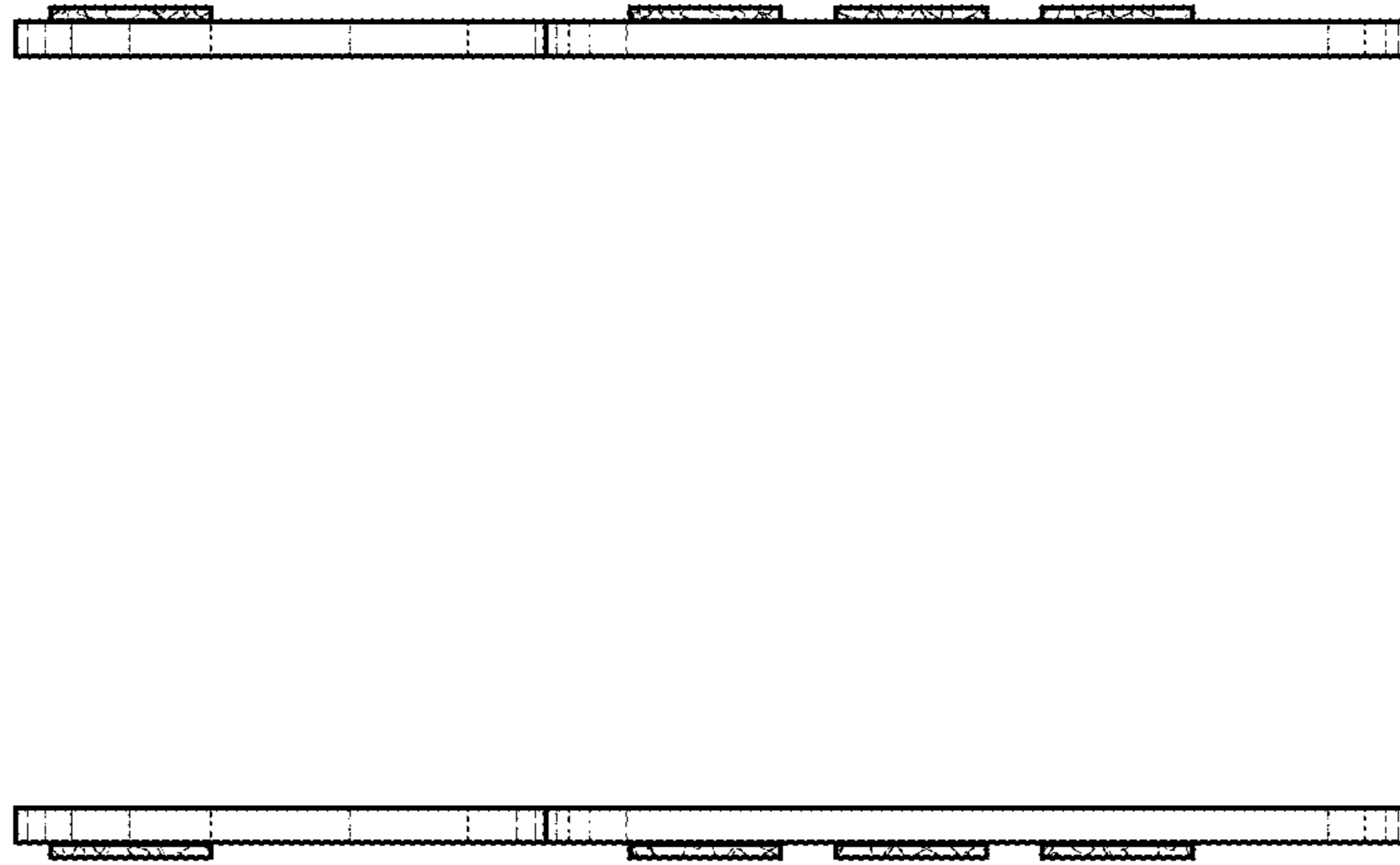


FIG. 10

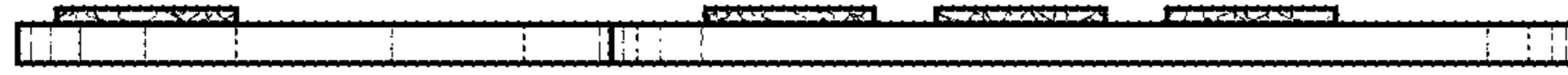


FIG. 11

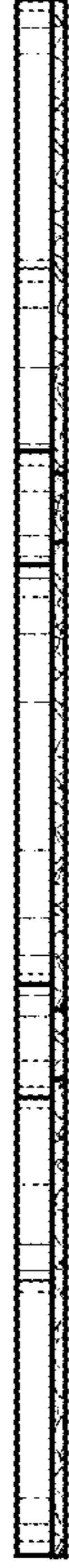


FIG. 12

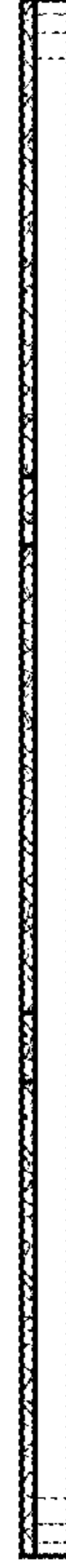


FIG. 13

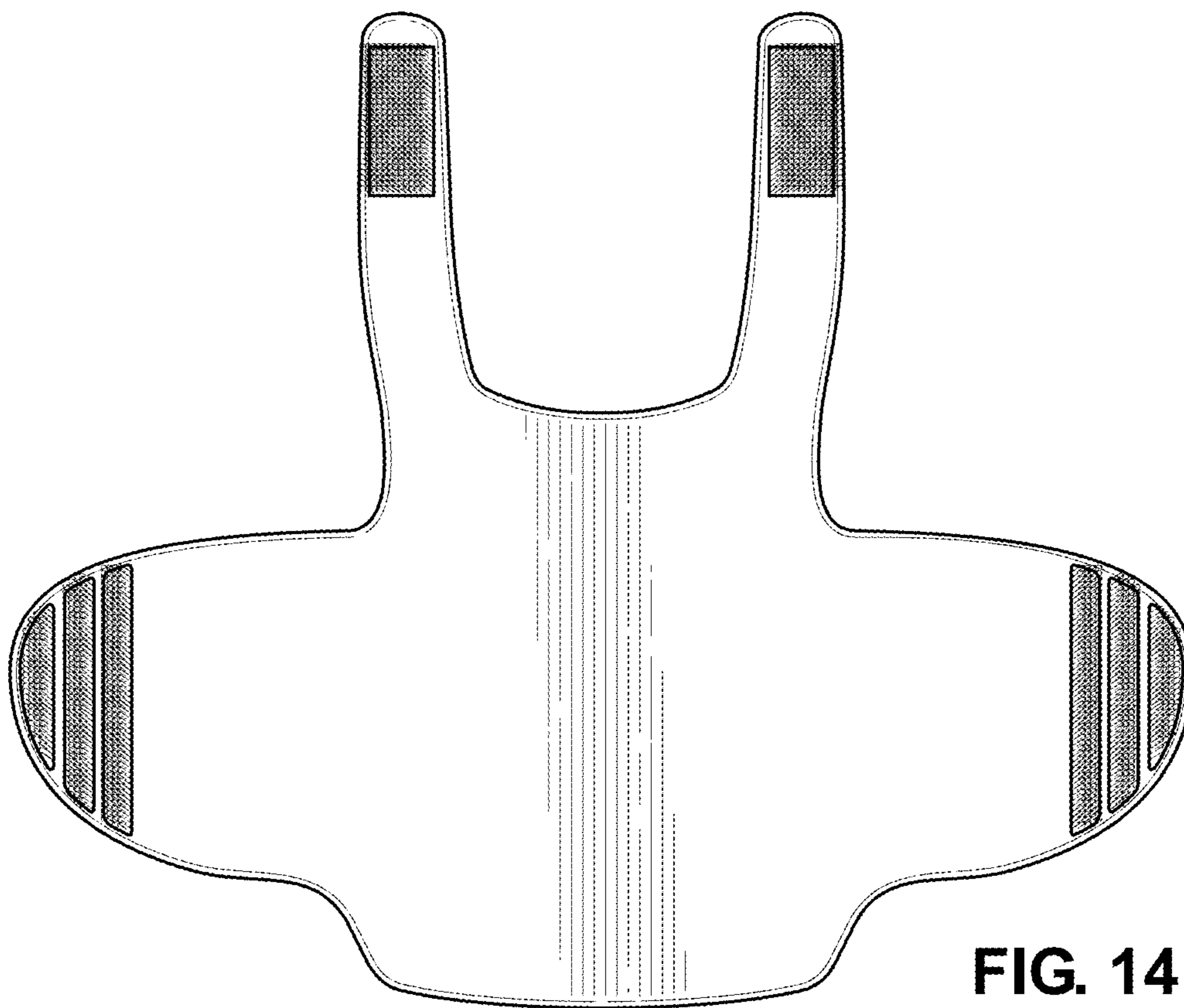


FIG. 14

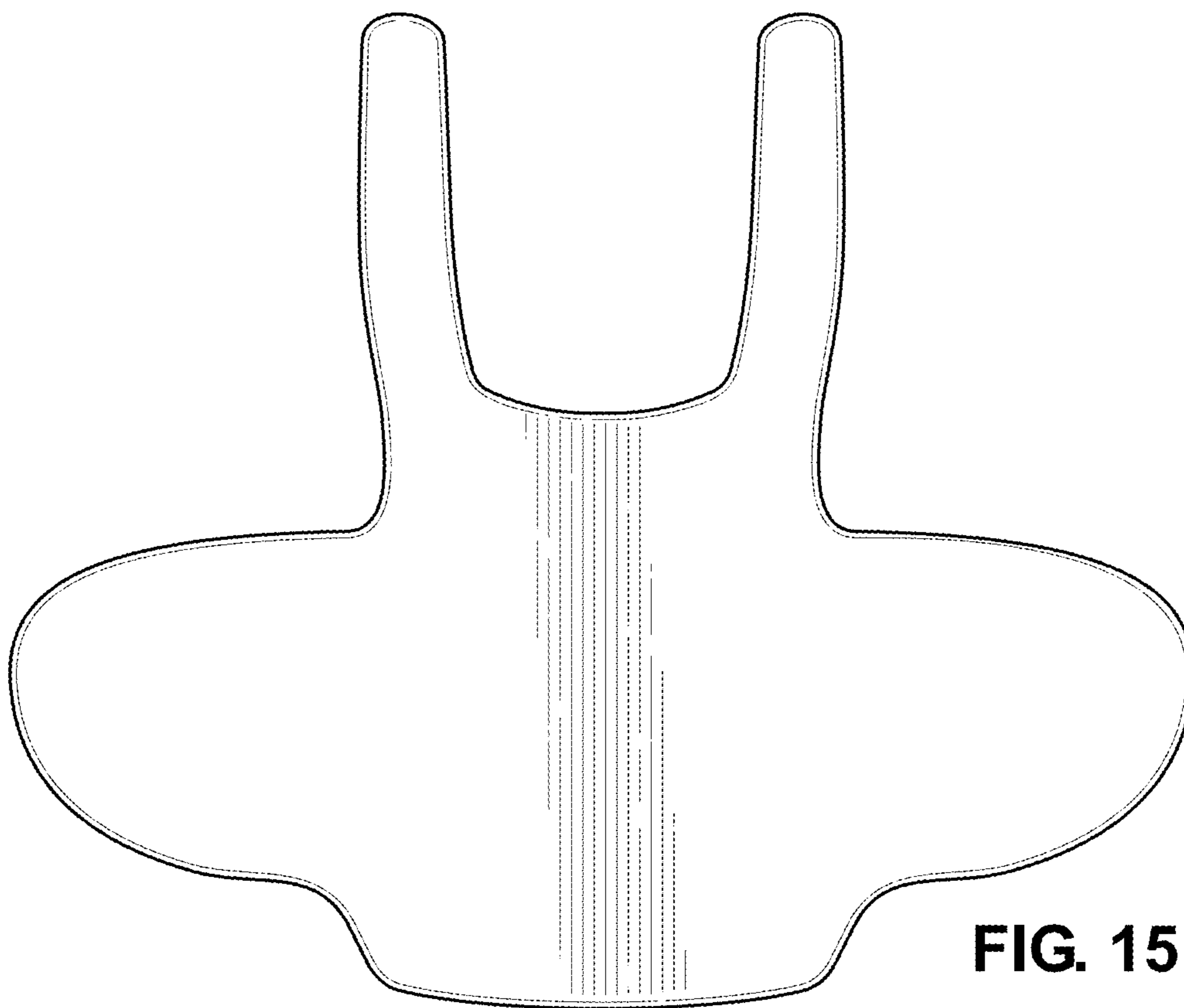


FIG. 15



FIG. 16

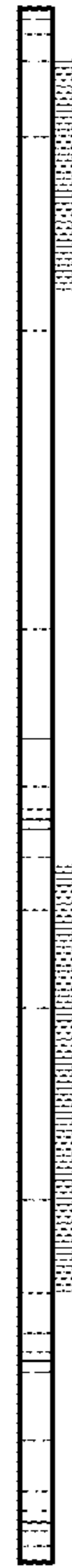


FIG. 17



FIG. 18

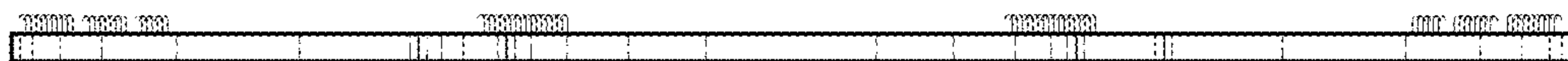


FIG. 19

UNITED STATES PATENT AND TRADEMARK OFFICE
CERTIFICATE OF CORRECTION

PATENT NO. : D878,610 S
APPLICATION NO. : 29/669948
DATED : March 17, 2020
INVENTOR(S) : Elliott Boston

Page 1 of 1

It is certified that error appears in the above-identified patent and that said Letters Patent is hereby corrected as shown below:

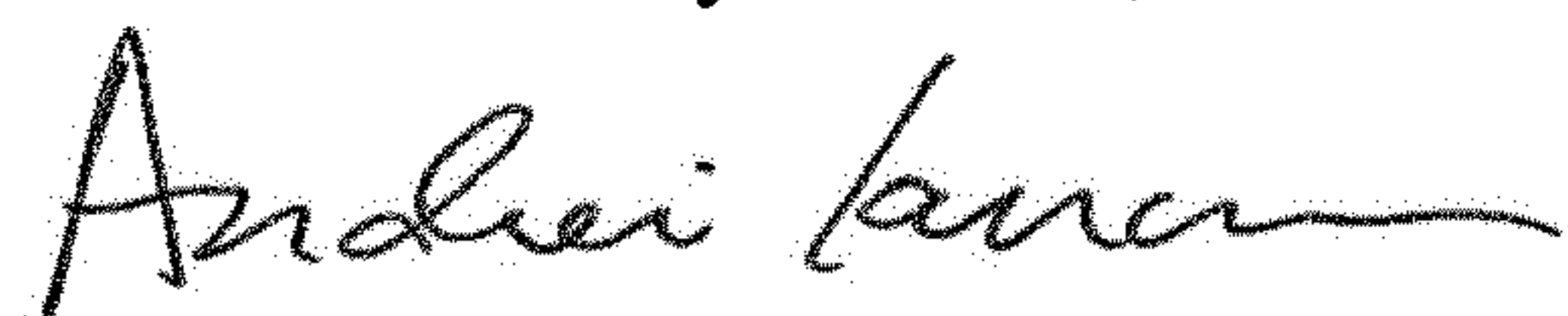
On the Title Page

Item (71) and (72):

Inventor name is printed as: Elliot Boston

Correct spelling of inventor name is: Elliott Boston

Signed and Sealed this
Second Day of June, 2020



Andrei Iancu
Director of the United States Patent and Trademark Office