



US00D878601S

(12) **United States Design Patent**
Sang et al.

(10) **Patent No.:** **US D878,601 S**

(45) **Date of Patent:** **** Mar. 17, 2020**

(54) **DIAGNOSTIC AND DIGITAL HEALTH DEVICE**

(71) Applicant: **Accure Health Inc.**, Cambridge, MA (US)

(72) Inventors: **Liyun Sang**, Cambridge, MA (US); **Yi Liu**, San Diego, CA (US); **Guang Chen**, Brookline, MA (US); **Qiang Liu**, Cambridge, MA (US)

(73) Assignee: **ACCURE HEALTH INC.**, Cambridge, MA (US)

(**) Term: **15 Years**

(21) Appl. No.: **29/661,804**

(22) Filed: **Aug. 30, 2018**

(51) **LOC (12) Cl.** **24-02**

(52) **U.S. Cl.**
USPC **D24/186**

(58) **Field of Classification Search**
USPC D24/107, 169, 186, 216, 223, 224, 225, D24/226, 227, 231, 232, 233; D10/81
CPC G01N 21/0483; G01N 21/0303
See application file for complete search history.

(56) **References Cited**

U.S. PATENT DOCUMENTS

D547,437 S * 7/2007 Asai D24/107
D590,506 S * 4/2009 Krishnan D24/186

D607,575 S * 1/2010 Walsh D24/216
D609,812 S * 2/2010 Shibata D24/165
D668,350 S * 10/2012 Rowley D24/225
D672,042 S * 12/2012 Delaey D24/169
D682,432 S * 5/2013 Khan D24/186
D697,226 S * 1/2014 Davis D24/225
D821,601 S * 6/2018 Henderson D24/216
D835,293 S * 12/2018 Masuda D24/232
D851,778 S * 6/2019 Stamm D24/216
2019/0356325 A1 * 11/2019 Hu H03M 1/0607

* cited by examiner

Primary Examiner — Susan Bennett Hattan

Assistant Examiner — Omeed Agilee

(74) *Attorney, Agent, or Firm* — Bayes PLLC

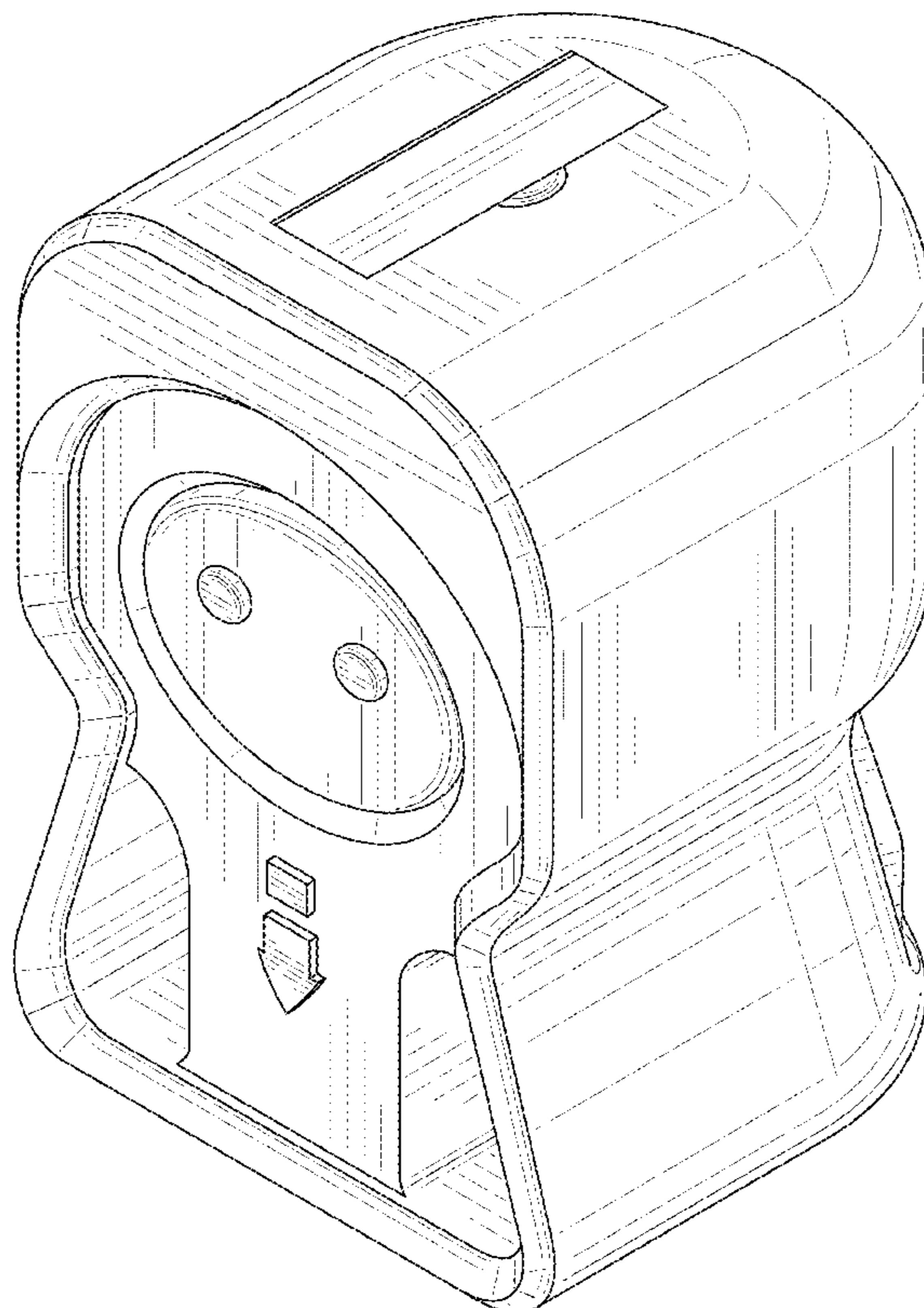
(57) **CLAIM**

The ornamental design for a diagnostic and digital health device, as shown and described.

DESCRIPTION

FIG. 1 is a top front perspective view of a diagnostic and digital health device showing our new design;
FIG. 2 is a front view thereof;
FIG. 3 is a rear view thereof;
FIG. 4 is a left side view thereof;
FIG. 5 is a right side view thereof; and,
FIG. 6 is a top view thereof.

1 Claim, 6 Drawing Sheets



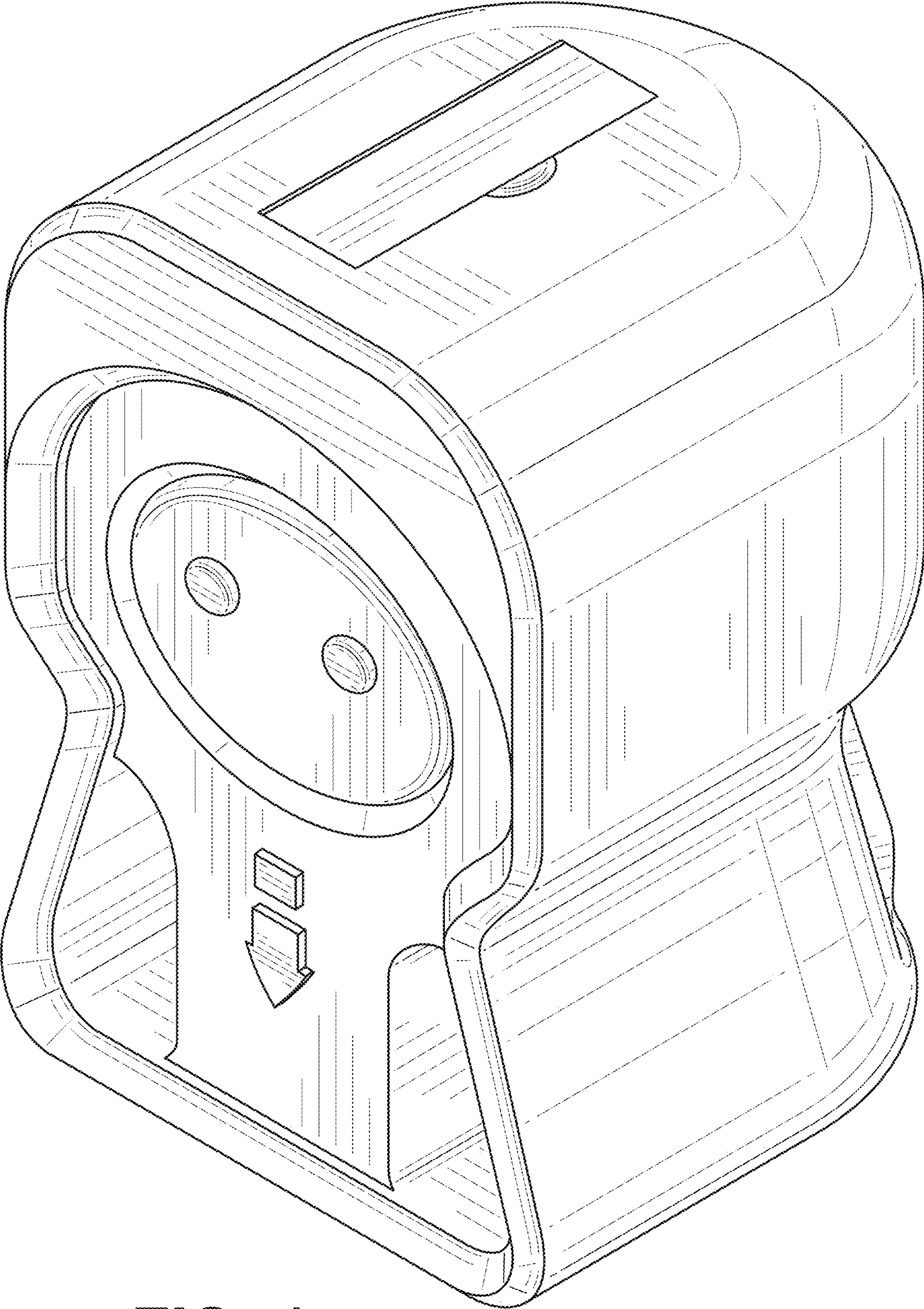


FIG. 1

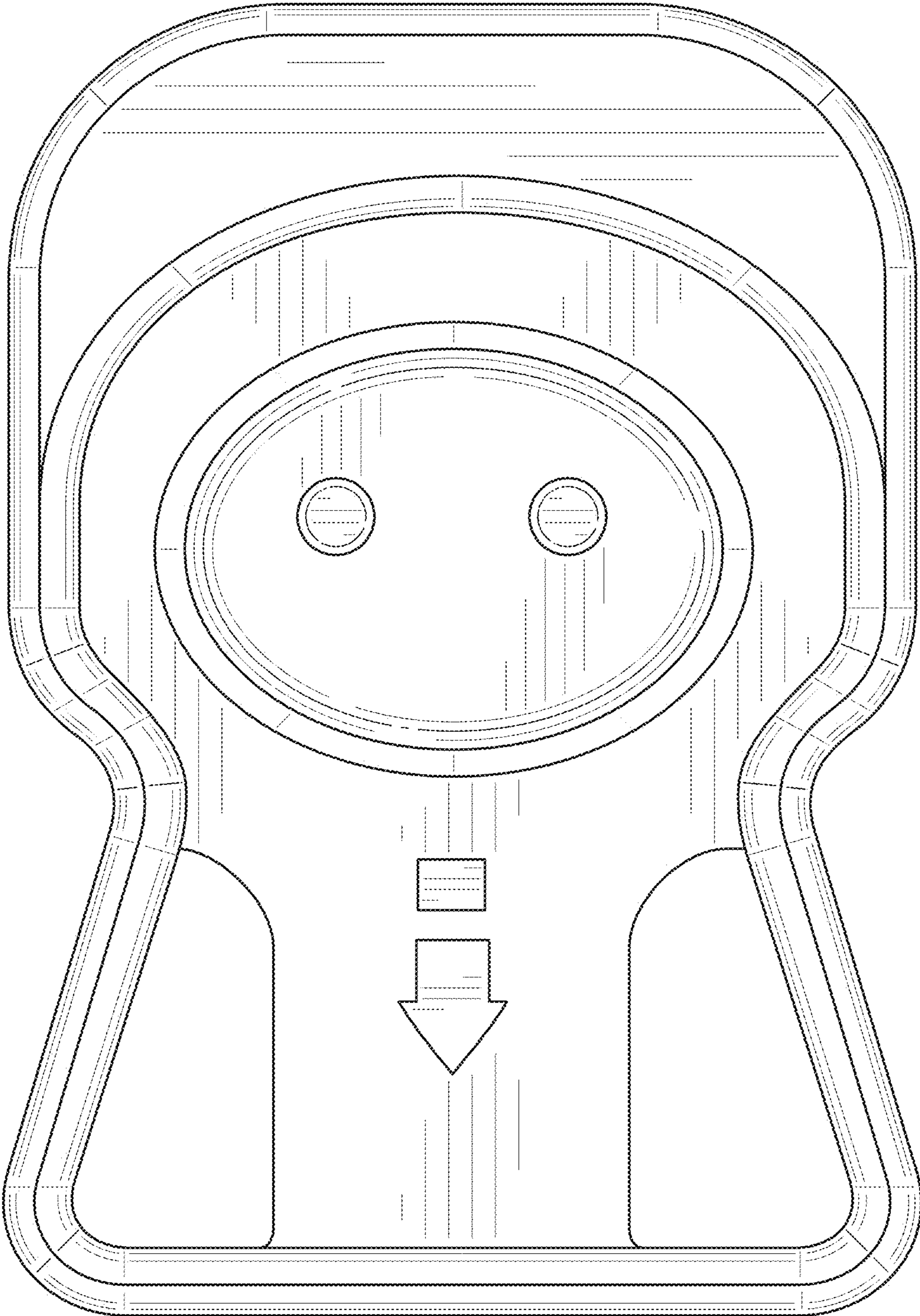


FIG. 2

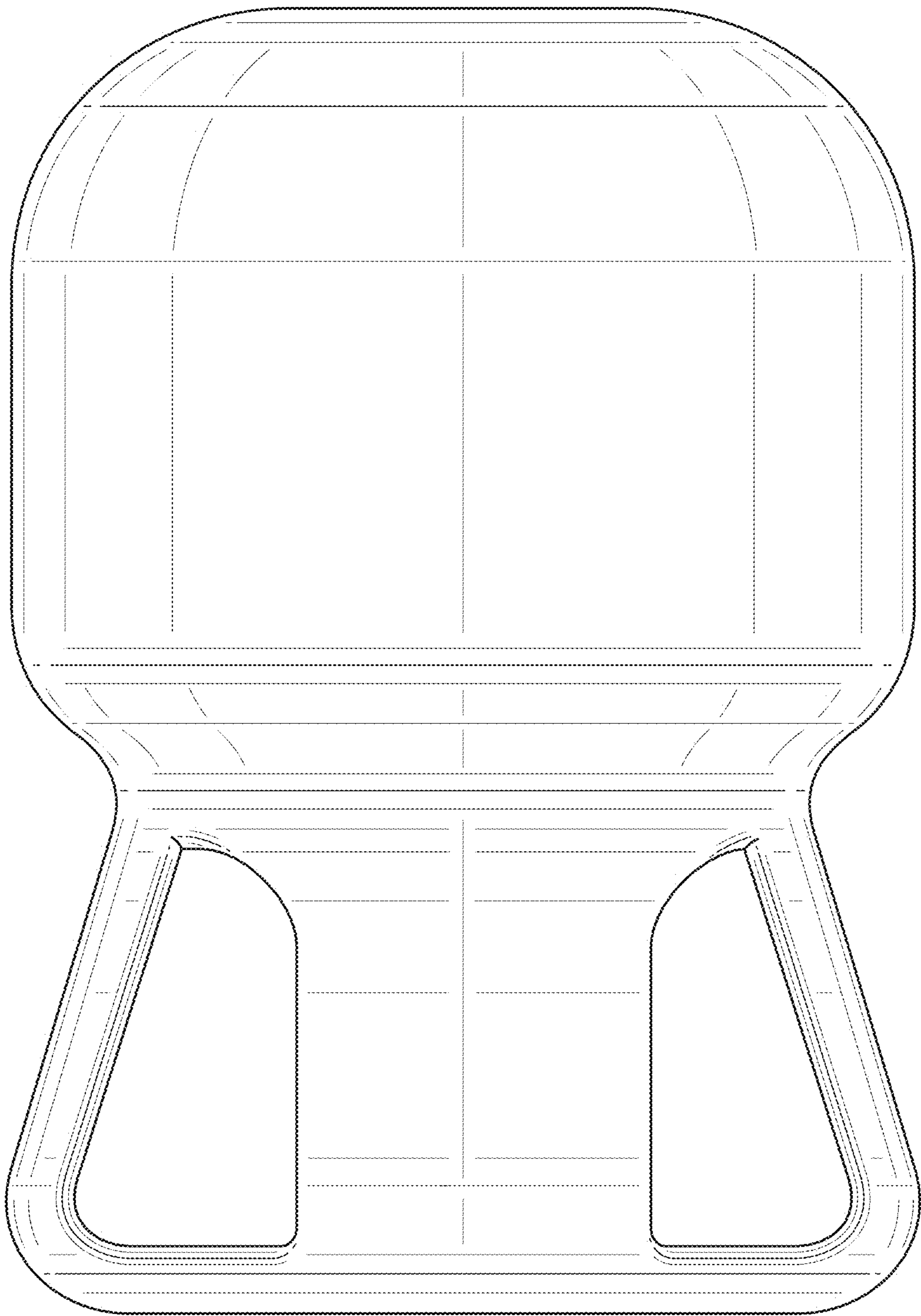


FIG. 3

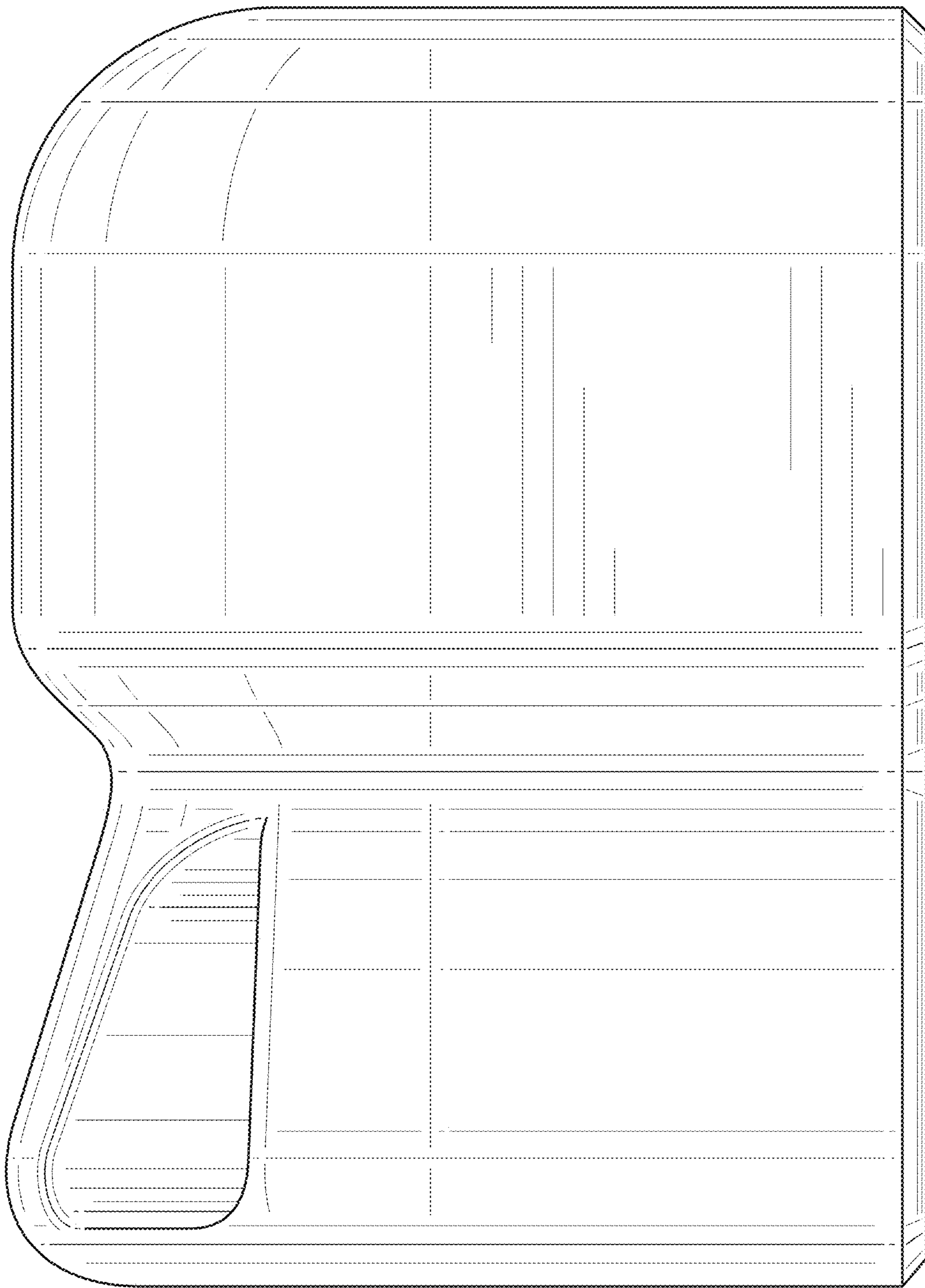


FIG. 4

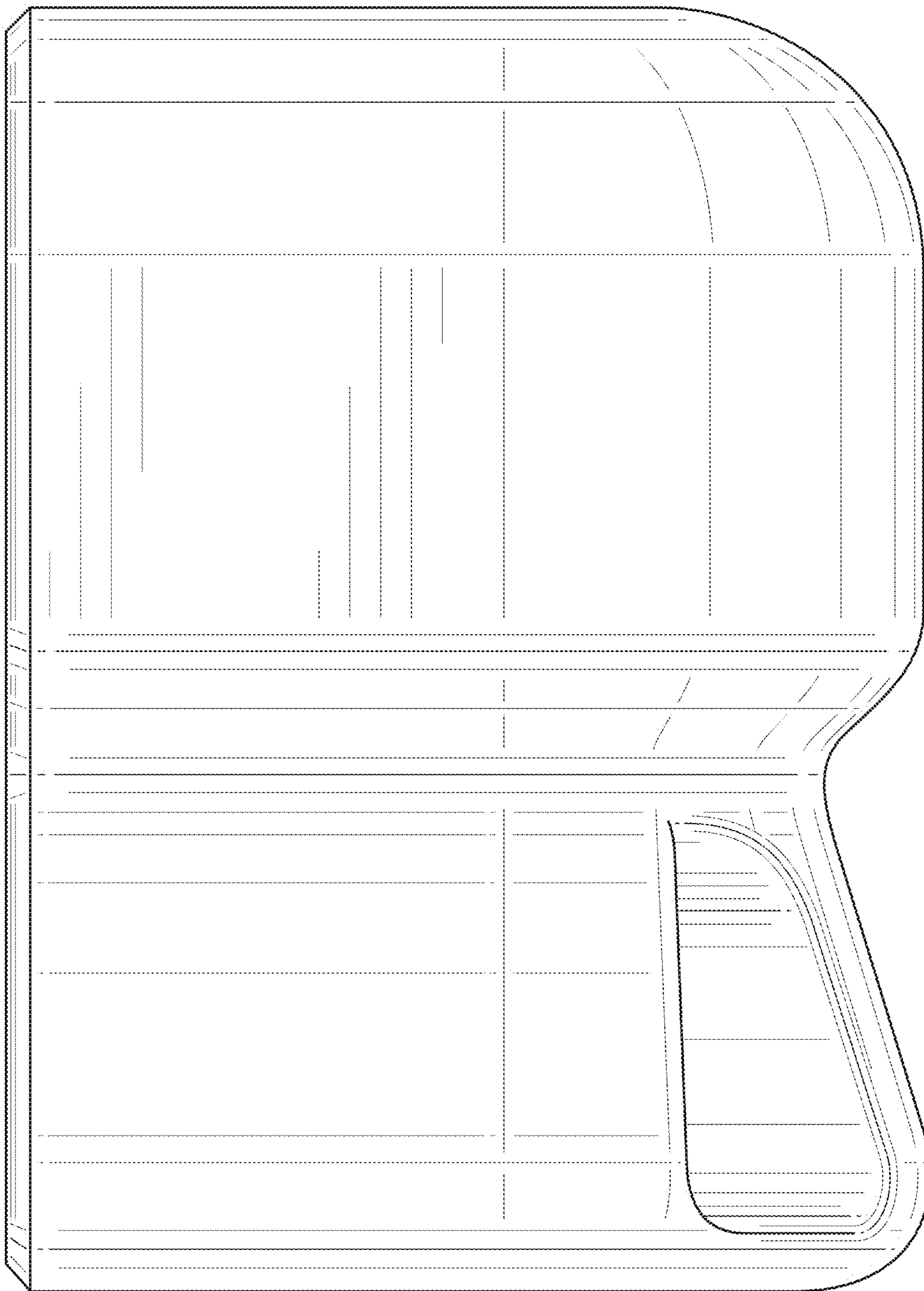


FIG. 5

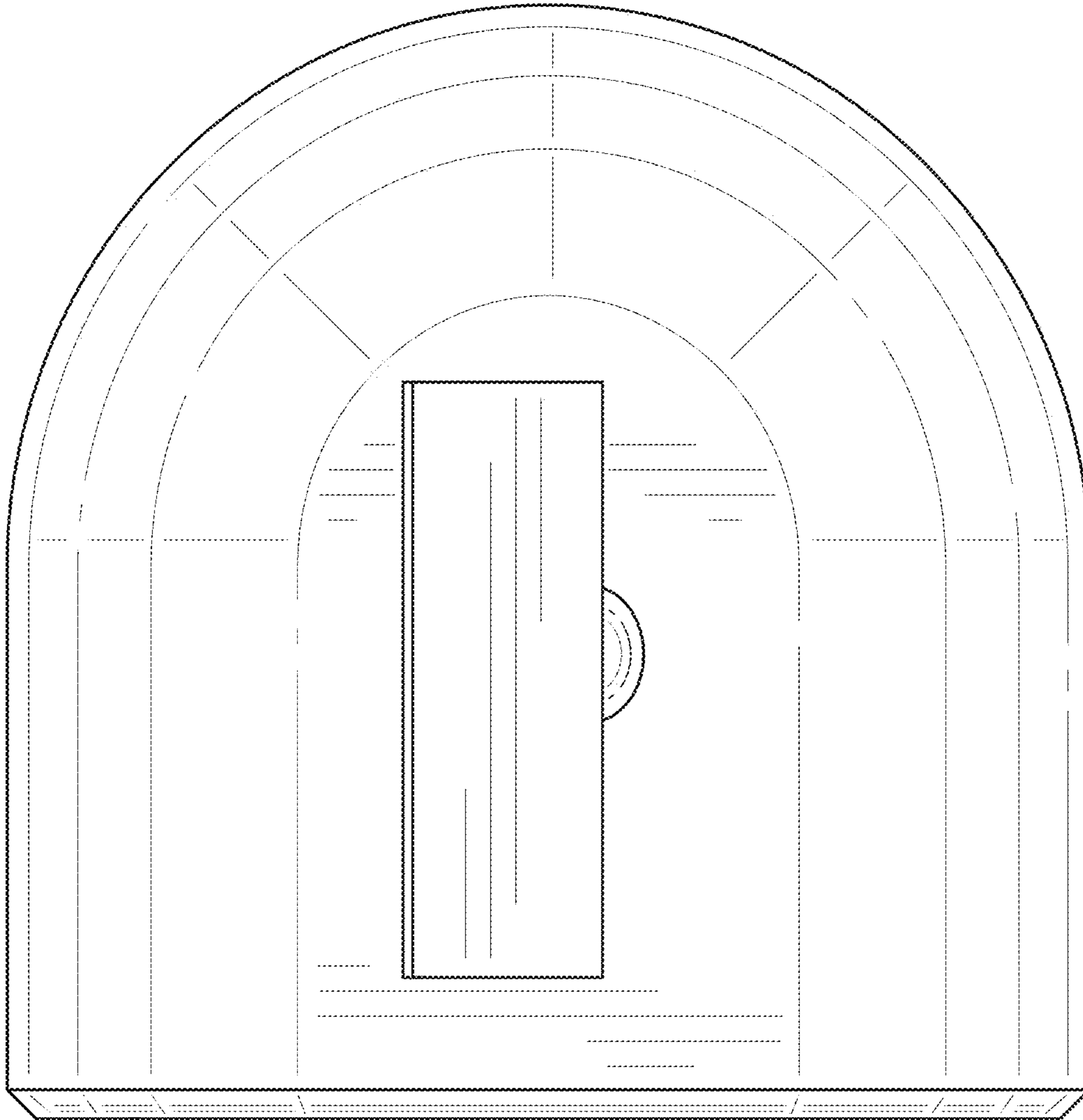


FIG. 6