



US00D878600S

(12) **United States Design Patent**
Pelissier et al.

(10) **Patent No.:** **US D878,600 S**
(45) **Date of Patent:** **** Mar. 17, 2020**

(54) **ULTRASOUND CART**
(71) Applicant: **Clarius Mobile Health Corp.**, Burnaby (CA)
(72) Inventors: **Laurent Pelissier**, North Vancouver (CA); **Alex Barcenas Antonio**, Burnaby (CA)

D544,962 S 6/2007 Diener et al.
D626,235 S * 10/2010 Smith D24/158
8,286,977 B2 * 10/2012 Butler A61G 12/001
280/47.34
D762,339 S * 7/2016 McRorie D34/27
D827,139 S * 8/2018 Henderson D24/160
D853,564 S * 7/2019 Henderson D24/158
2017/0179774 A1 6/2017 Jin et al.
2017/0311931 A1 * 11/2017 Yang A61B 8/4405

(73) Assignee: **Clarius Mobile Health Corp.**, Burnaby, British Columbia (CA)

FOREIGN PATENT DOCUMENTS

WO 2018019017 A1 2/2018

(**) Term: **15 Years**

* cited by examiner

(21) Appl. No.: **29/661,186**

Primary Examiner — Anhdao Doan

(22) Filed: **Aug. 24, 2018**

(74) *Attorney, Agent, or Firm* — Julian Ho

(51) **LOC (12) Cl.** **24-01**

(57) **CLAIM**

(52) **U.S. Cl.**

The ornamental design for an ultrasound cart, substantially as shown and described.

USPC **D24/186**; D24/185

DESCRIPTION

(58) **Field of Classification Search**

USPC D24/158–161, 185, 186, 107, 152, 176, D24/177

CPC ... A61B 6/4405; A61B 6/4411; A61B 6/4435; A61B 6/4441; A61B 6/4447; A61B 8/4405; A61B 8/4411; A61B 8/4427; A61B 8/462; A61B 8/0437; A61B 8/0883

See application file for complete search history.

FIG. 1 is a front perspective view of an ultrasound cart in accordance with the present design; FIG. 2 is a rear perspective view thereof; FIG. 3 is a front view thereof; FIG. 4 is a right side view thereof; FIG. 5 is a rear view thereof; FIG. 6 is a left side view thereof; FIG. 7 is a top view thereof; and, FIG. 8 is a bottom view thereof.

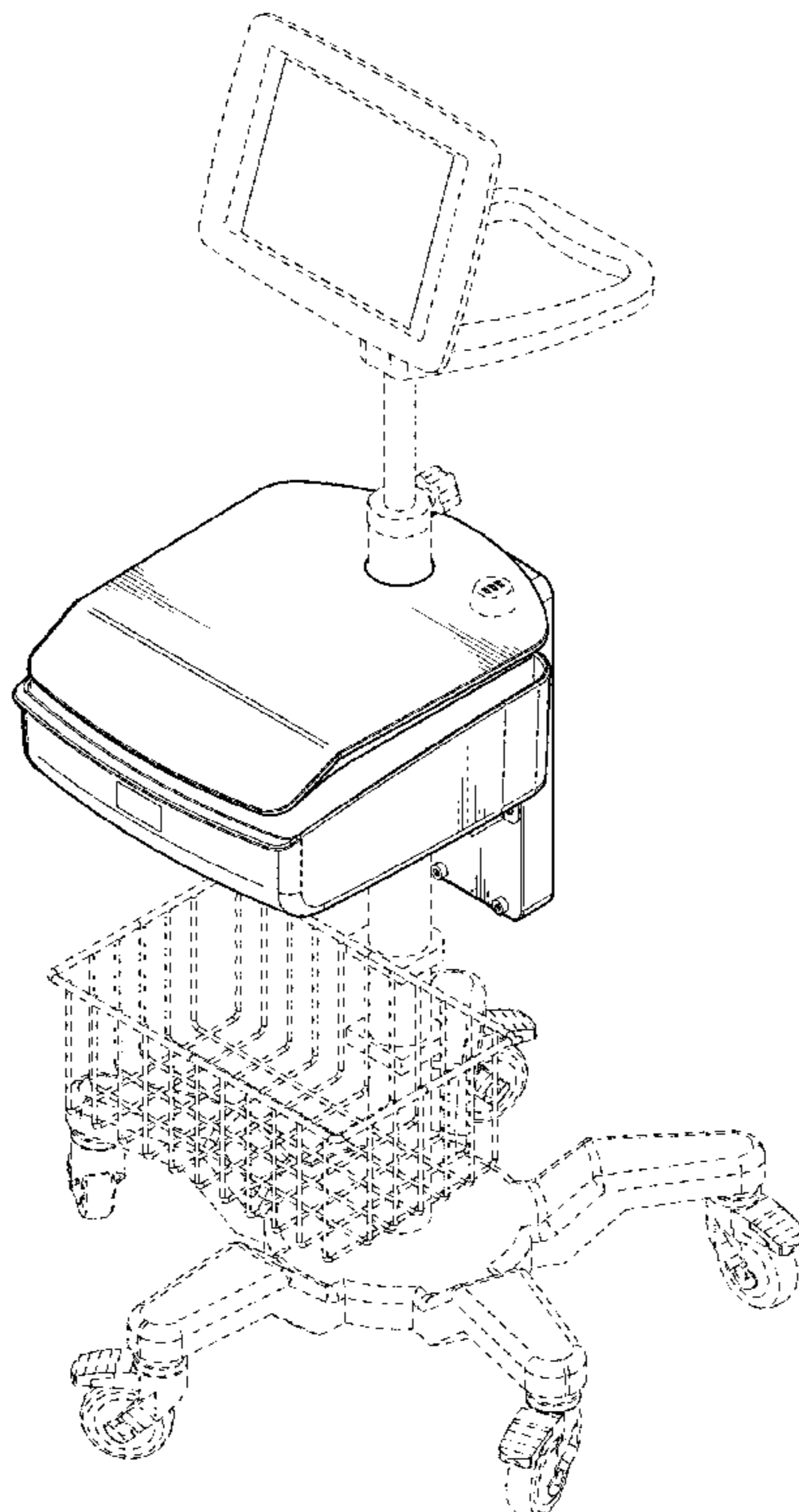
The broken lines show portions of the ultrasound cart that form no part of the claimed design.

(56) **References Cited**

U.S. PATENT DOCUMENTS

6,980,419 B2 12/2005 Smith et al.
D518,267 S * 3/2006 Arceta D24/185

1 Claim, 7 Drawing Sheets



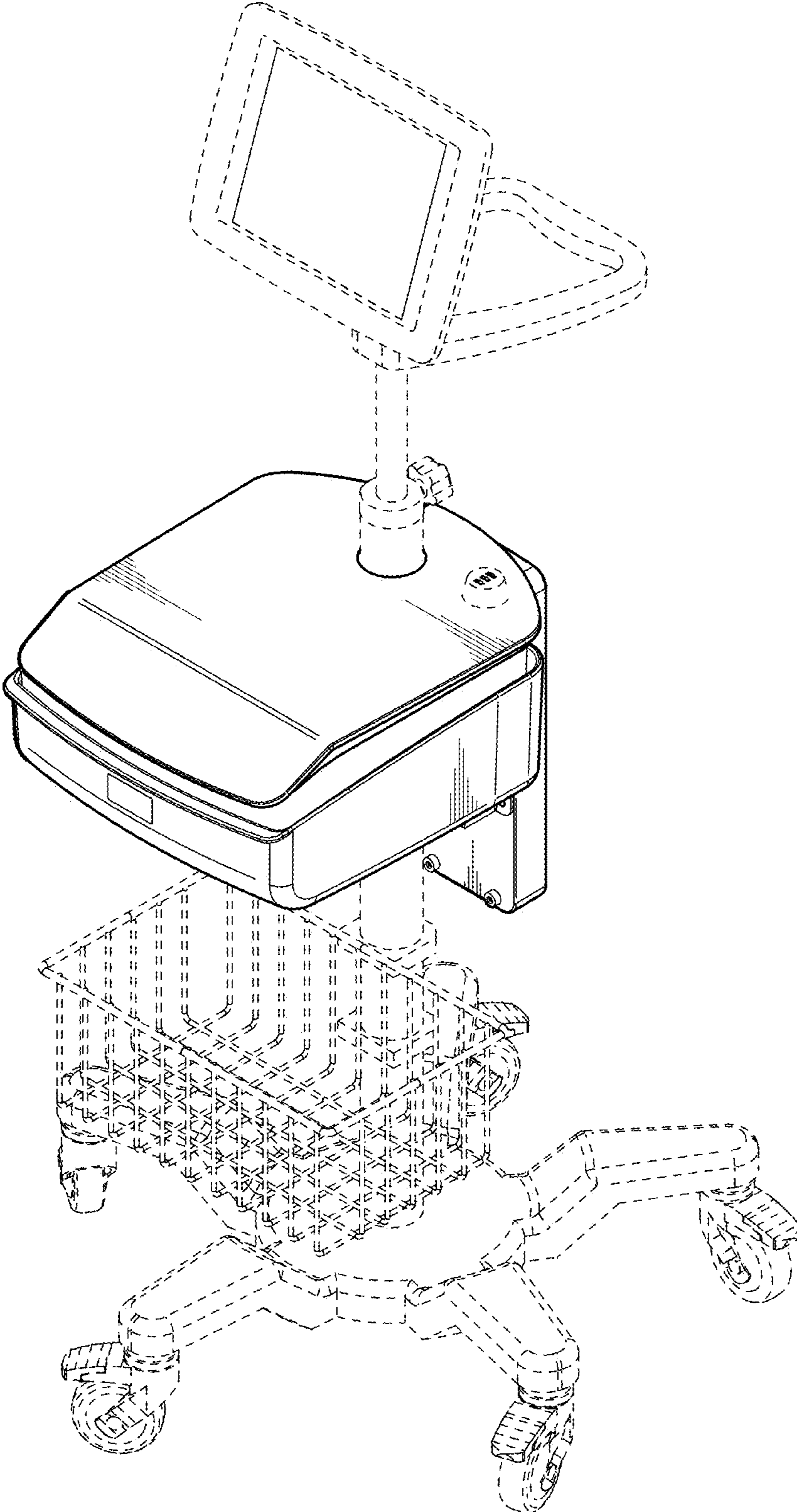


FIG. 1

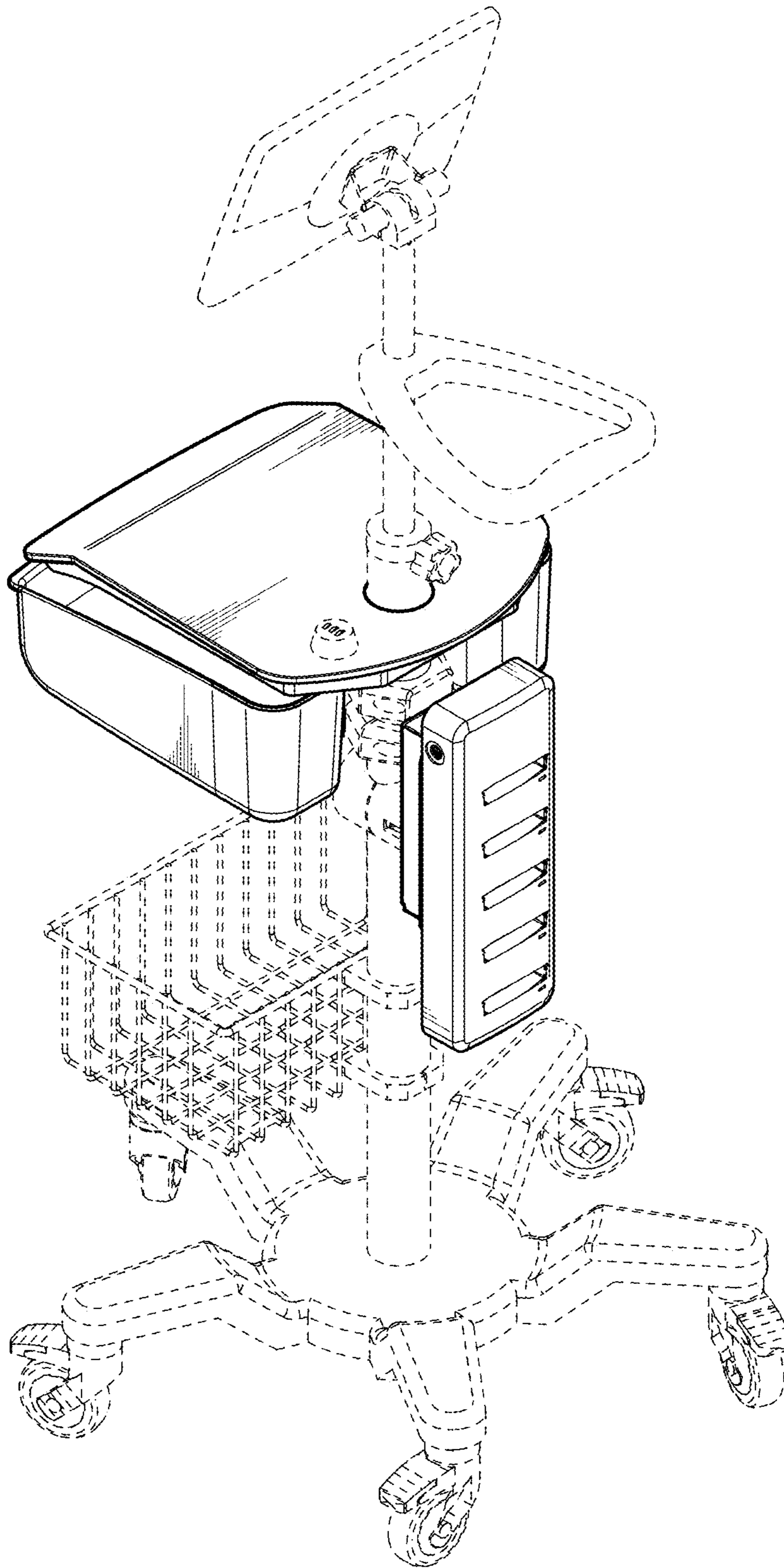


FIG. 2

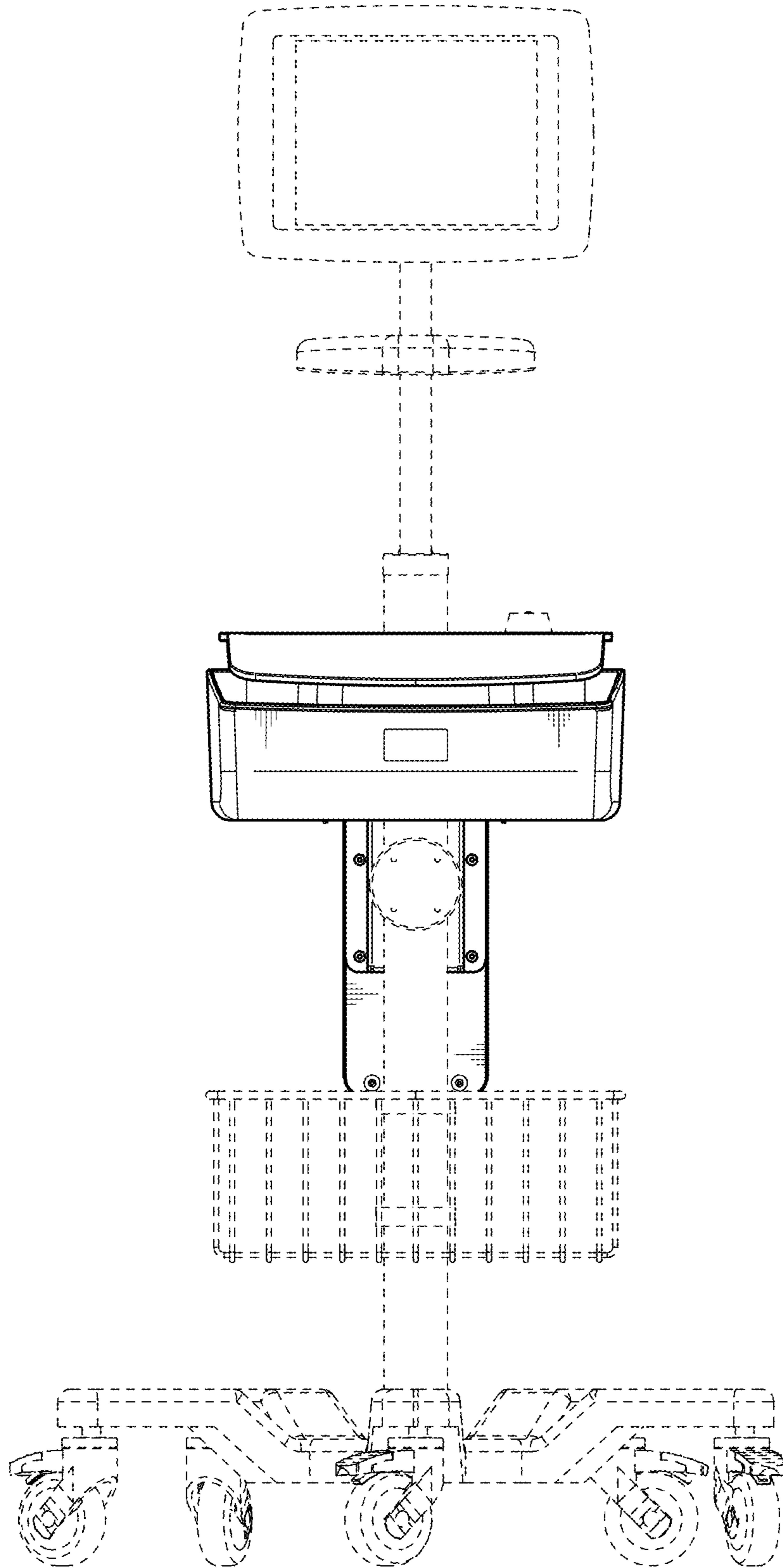


FIG. 3

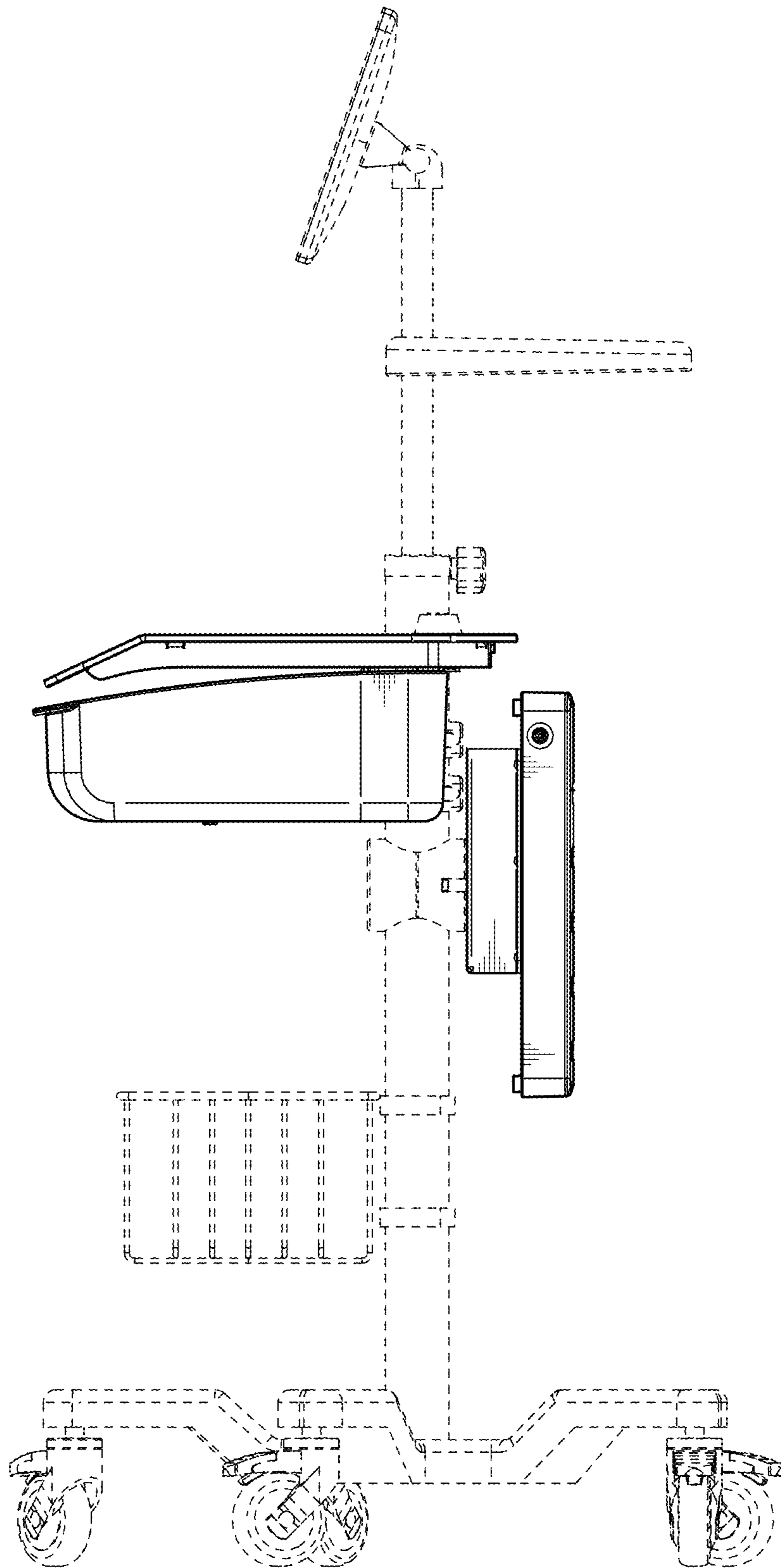


FIG. 4

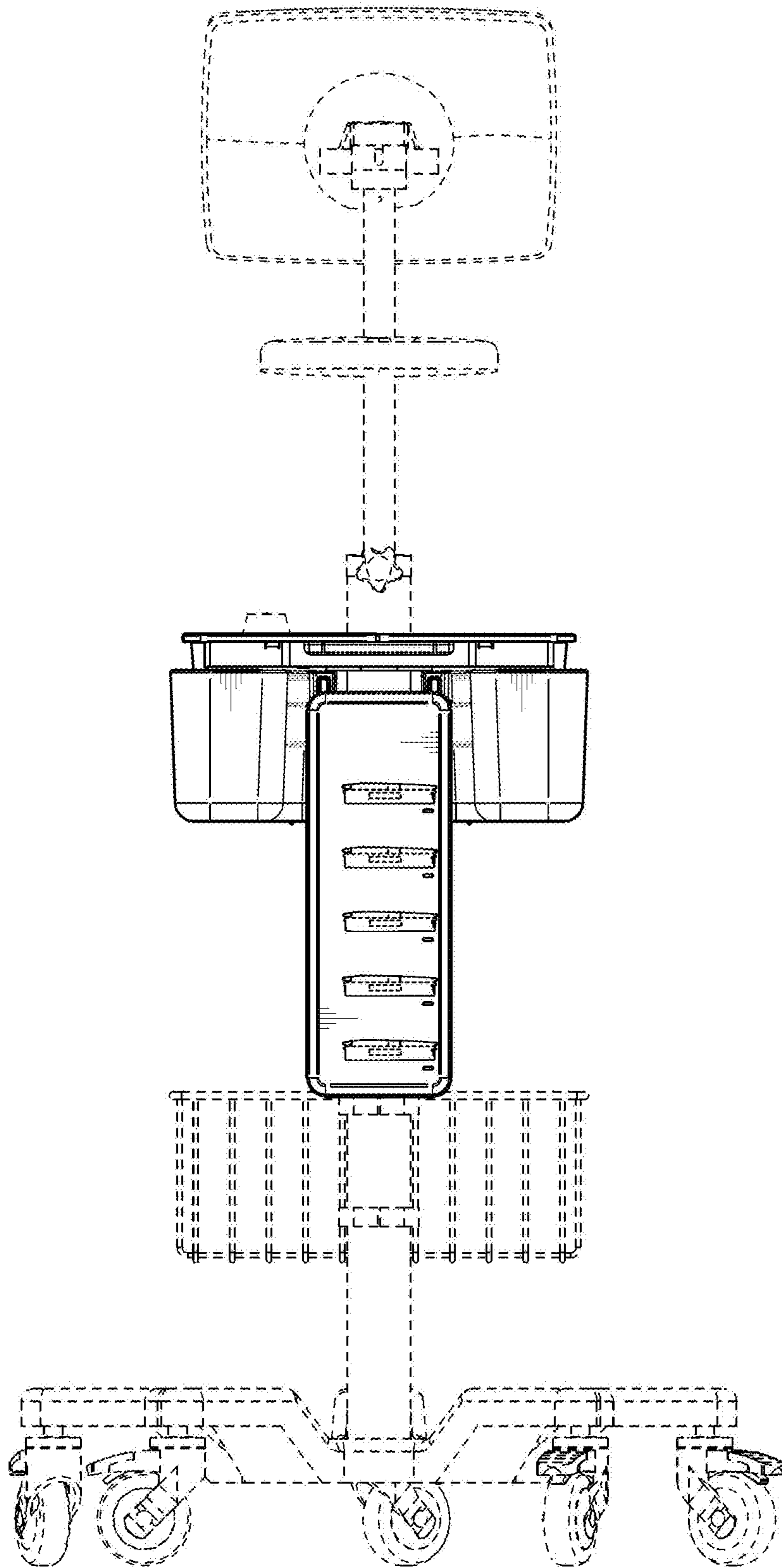


FIG. 5

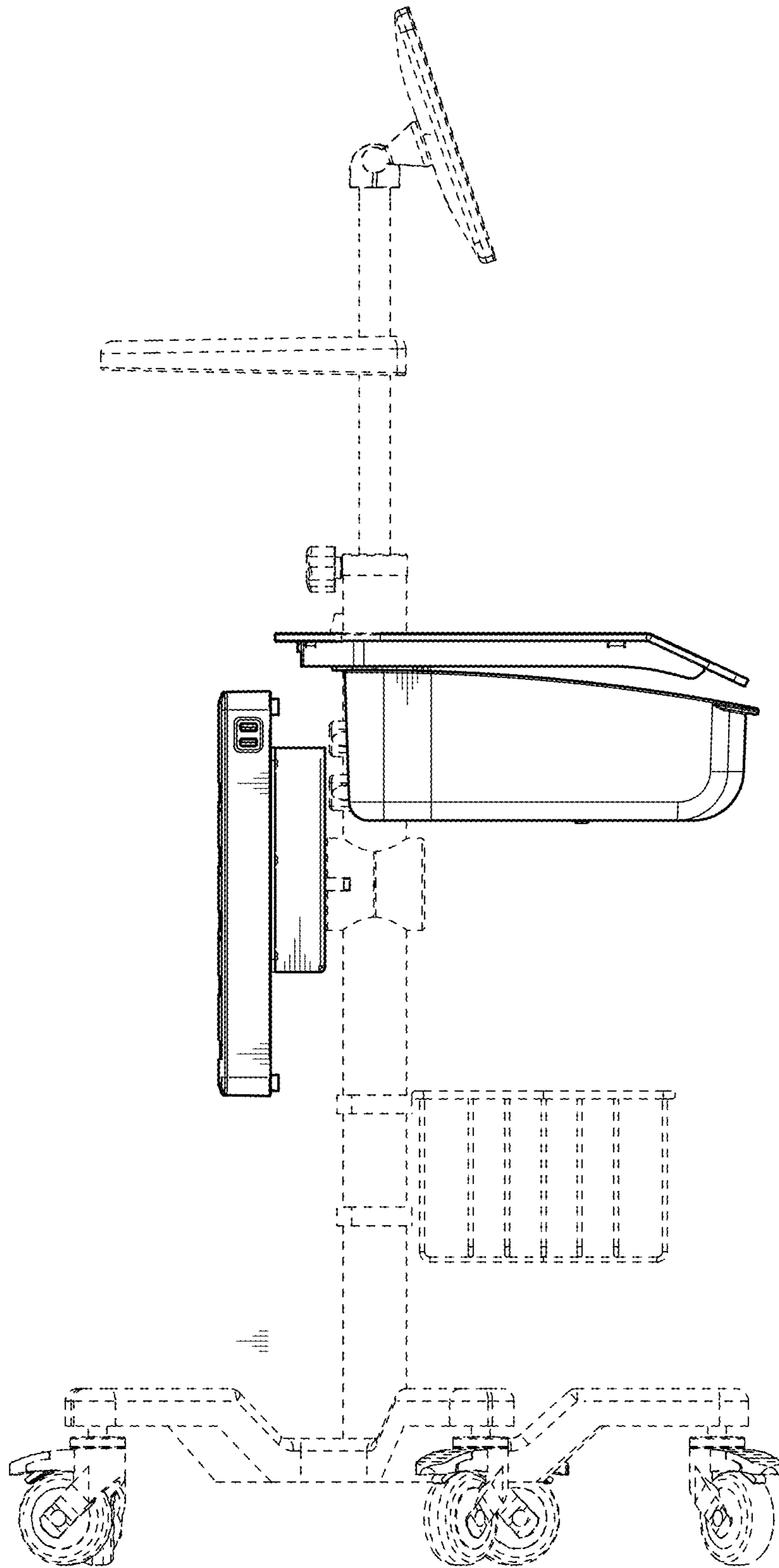


FIG. 6

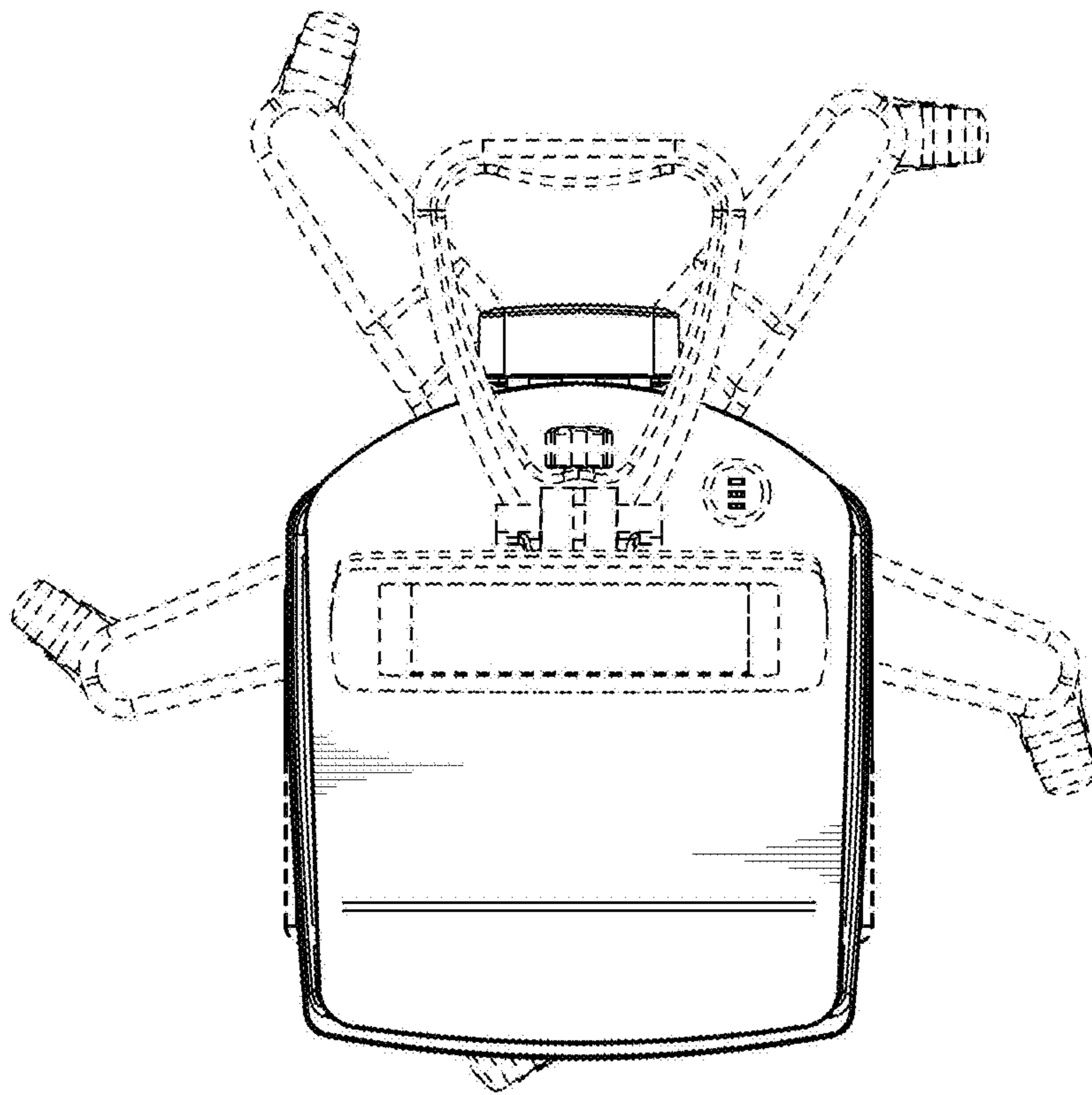


FIG. 7

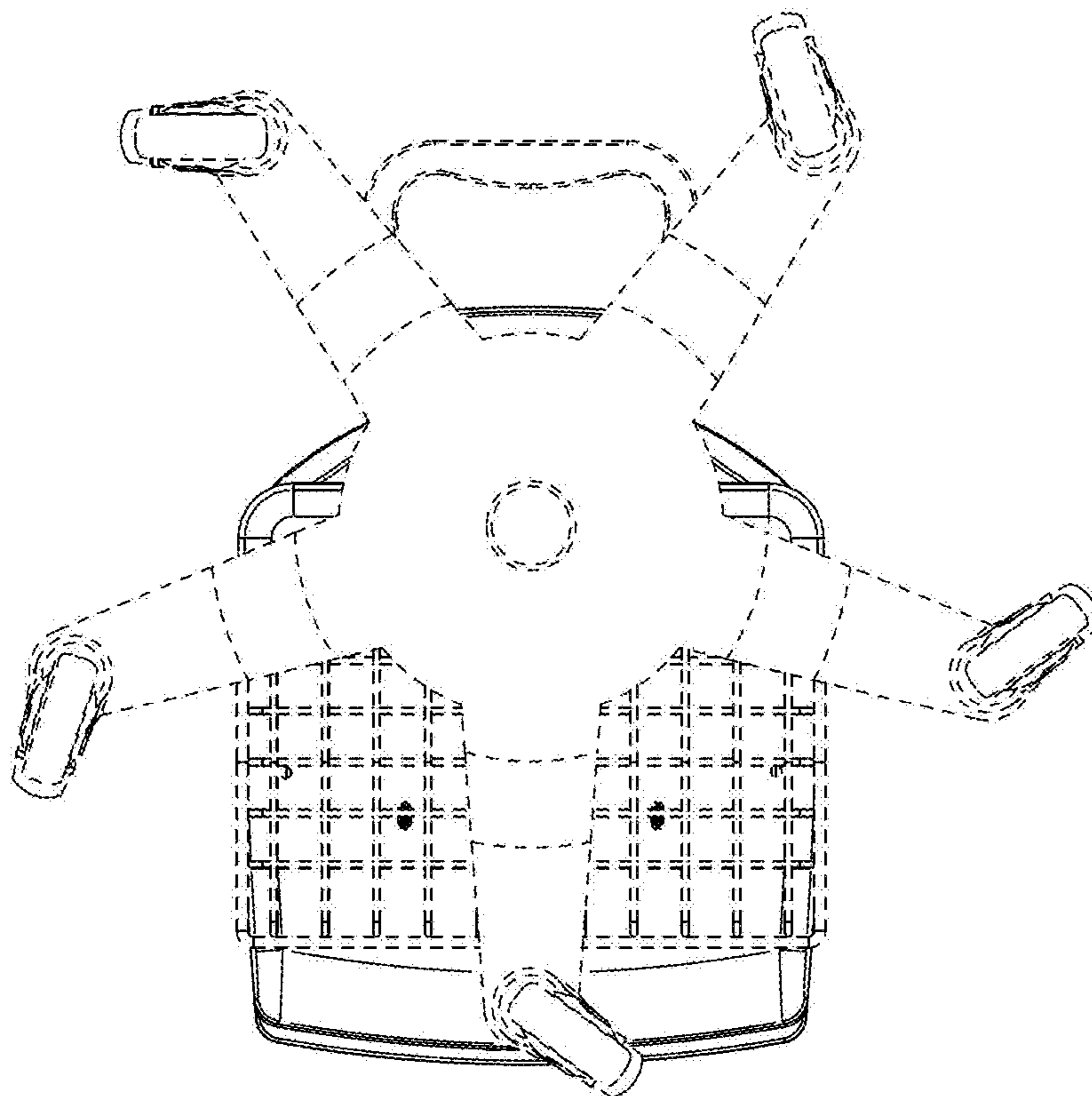


FIG. 8