

US00D878599S

(12) **United States Design Patent**
Eslava et al.

(10) **Patent No.:** **US D878,599 S**

(45) **Date of Patent:** **** Mar. 17, 2020**

(54) **ELECTRONIC VISUAL DISPLAY MONITOR**

(71) Applicant: **Drägerwerk AG & Co. KGaA**, Lübeck (DE)

(72) Inventors: **Juan P. Eslava**, Groton, MA (US);
Peter A. Lund, Nashua, NH (US);
Thomas Swyst, Arlington, MA (US)

(73) Assignee: **Drägerwerk AG & Co. KGaA** (DE)

(**) Term: **15 Years**

(21) Appl. No.: **29/629,533**

(22) Filed: **Dec. 13, 2017**

(51) **LOC (12) Cl.** **24-01**

(52) **U.S. Cl.**
USPC **D24/186**

(58) **Field of Classification Search**
USPC D24/107, 167, 185, 186, 187, 158, 160;
D14/307, 336, 371
CPC . A61B 5/0205; A61B 5/02055; A61B 5/0002;
A61B 5/0006; A61B 5/0008; A61B
5/002; A61B 5/0022; A61B 2560/0443;
A61B 2560/045; A61B 2560/0456
See application file for complete search history.

(56) **References Cited**

U.S. PATENT DOCUMENTS

D697,214 S * 1/2014 Rosenfeldt D24/186
D705,424 S * 5/2014 Yarbrough D24/144

D725,784 S * 3/2015 Xia D24/186
D734,858 S * 7/2015 Weichert D24/186
D734,859 S * 7/2015 Weichert D24/186
D735,344 S * 7/2015 Weichert D24/186
9,153,112 B1 * 10/2015 Kiani G08B 13/22
D744,658 S * 12/2015 Hilkey-Boyatt D24/186
D748,806 S * 2/2016 Coonahan D24/186
D769,872 S * 10/2016 Swyst D14/371
D783,835 S * 4/2017 Schon D24/186
D783,836 S * 4/2017 Schon D24/186
D807,513 S * 1/2018 Eslava D24/186

* cited by examiner

Primary Examiner — Anhdao Doan

(74) *Attorney, Agent, or Firm* — Design IP

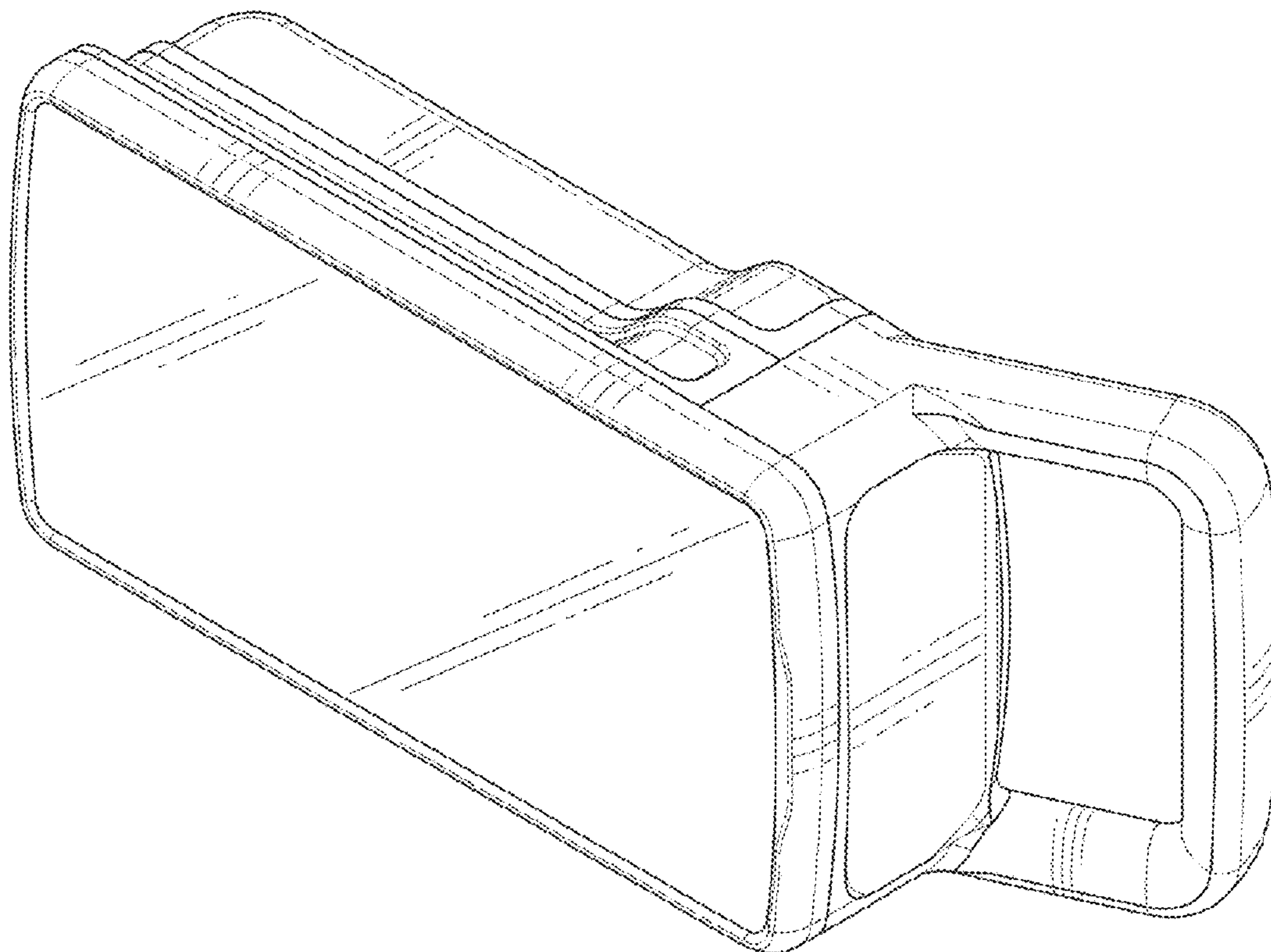
(57) **CLAIM**

The ornamental design for an electronic visual display monitor, as shown and described.

DESCRIPTION

FIG. 1 is a front perspective view of an electronic visual display monitor;
FIG. 2 is a back perspective view thereof;
FIG. 3 is a front view thereof;
FIG. 4 is a back view thereof;
FIG. 5 is a top view thereof;
FIG. 6 is a bottom view thereof;
FIG. 7 is a first side view thereof; and,
FIG. 8 is a second side view thereof.

1 Claim, 8 Drawing Sheets



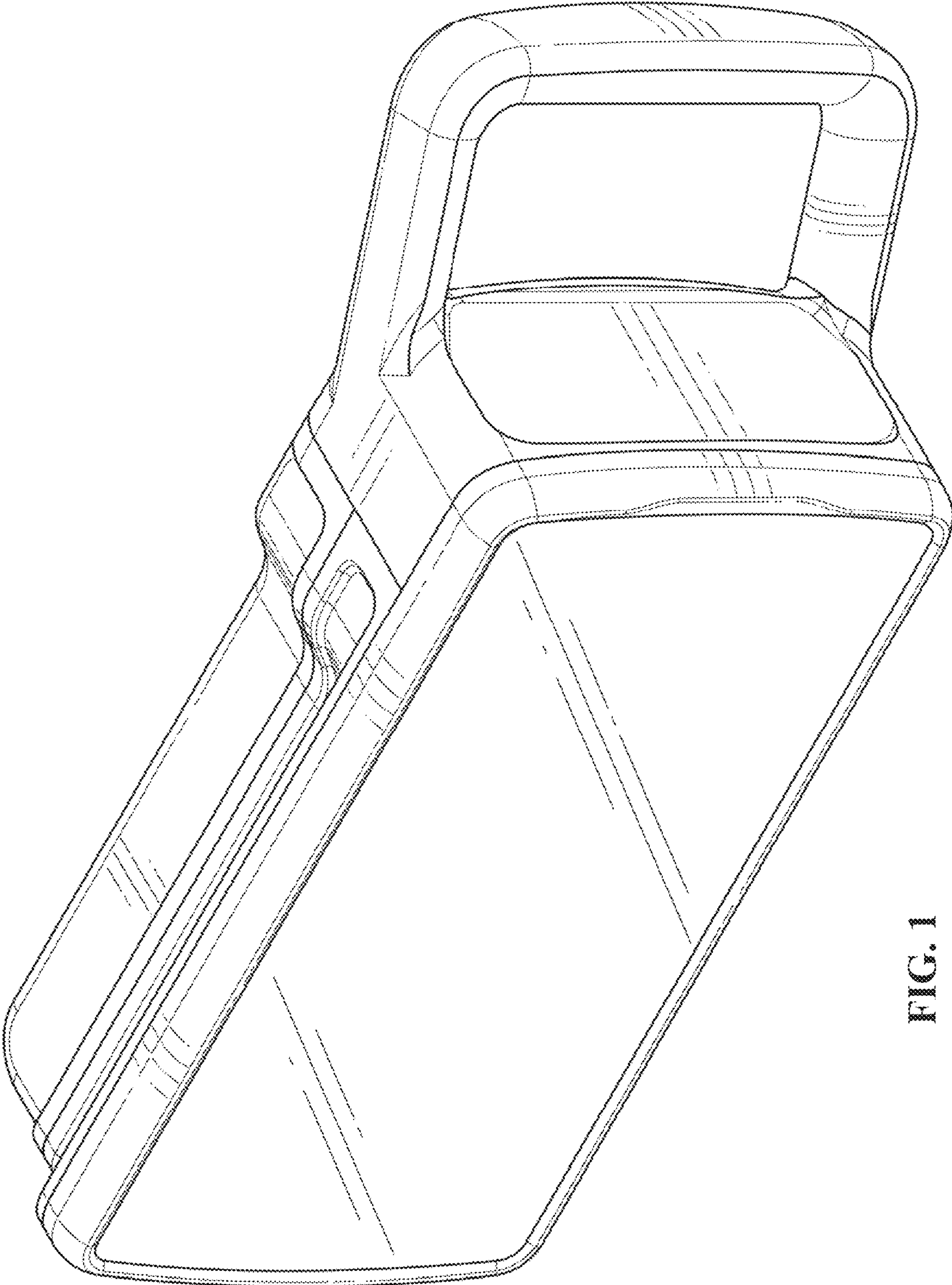


FIG. 1

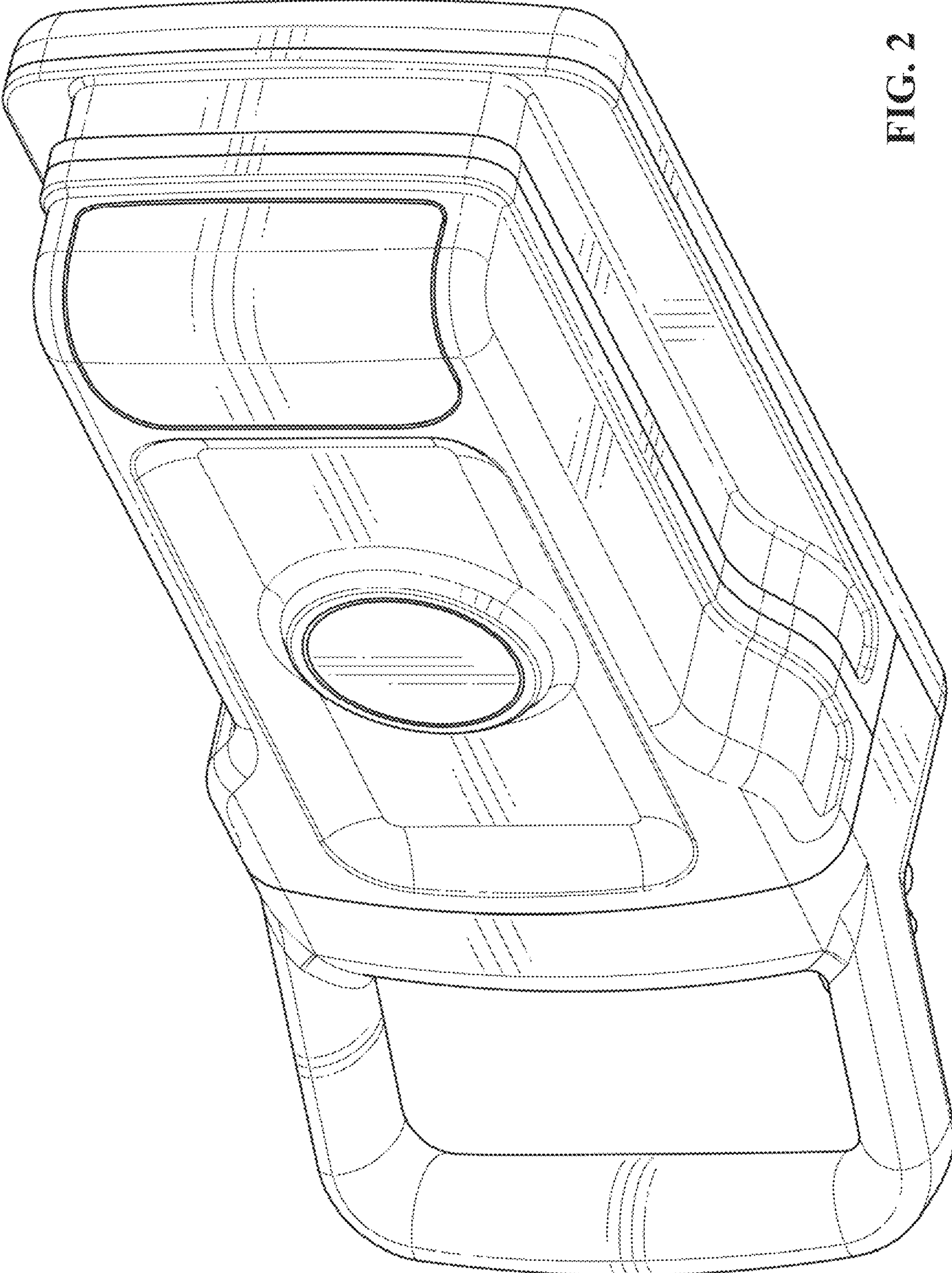


FIG. 2

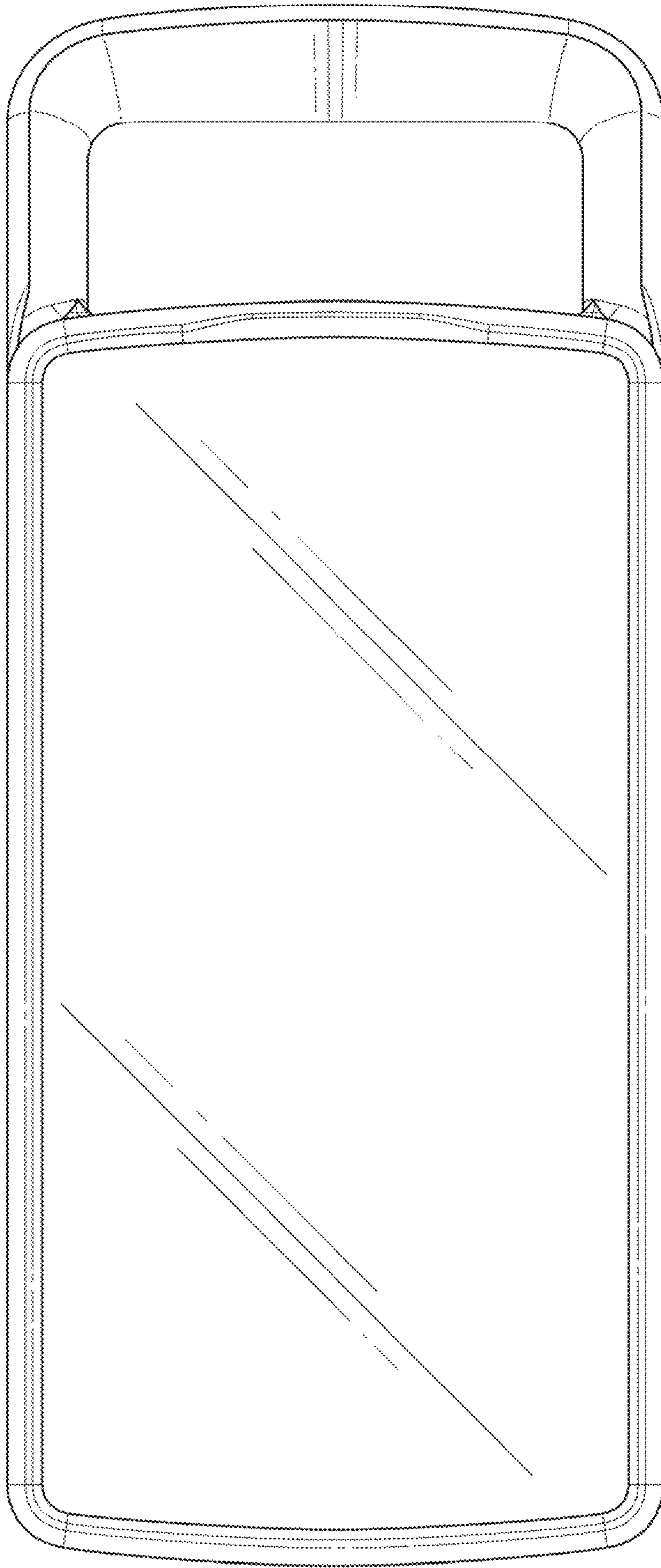


FIG. 3

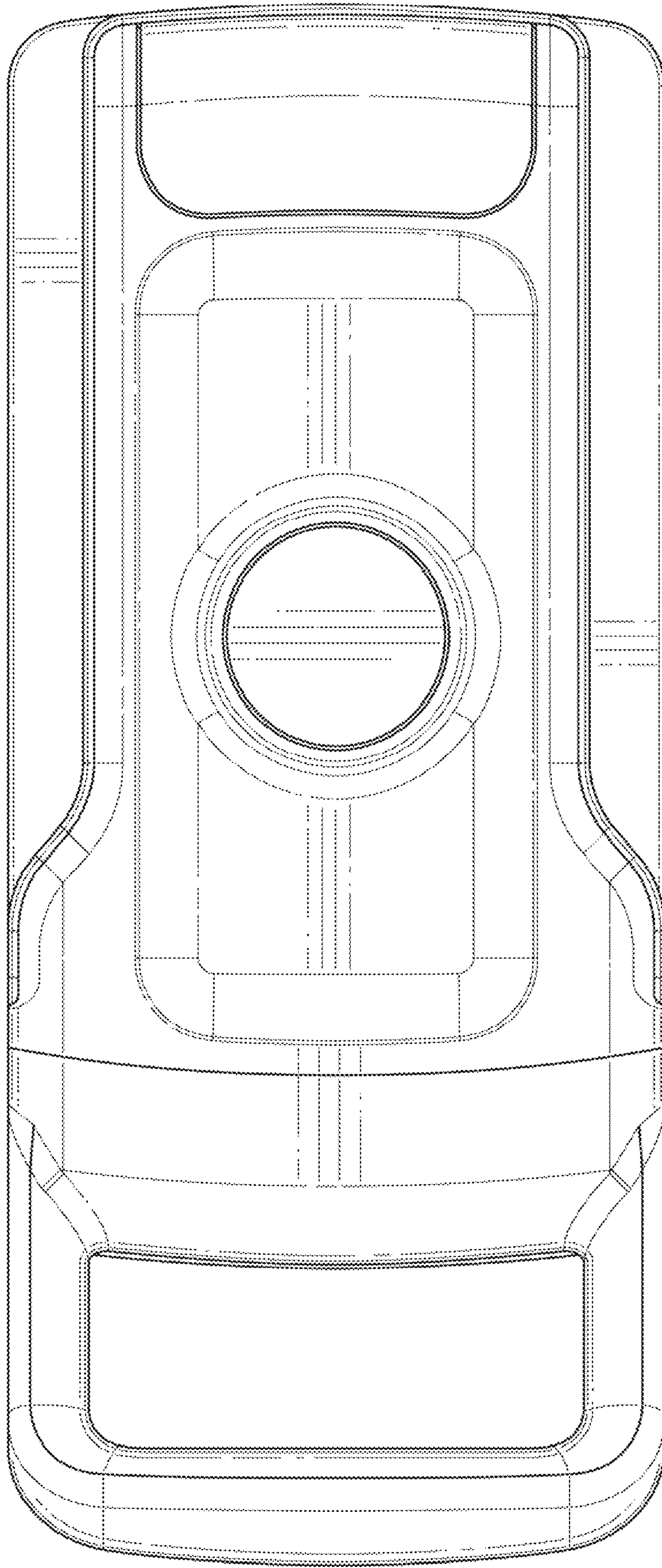


FIG. 4

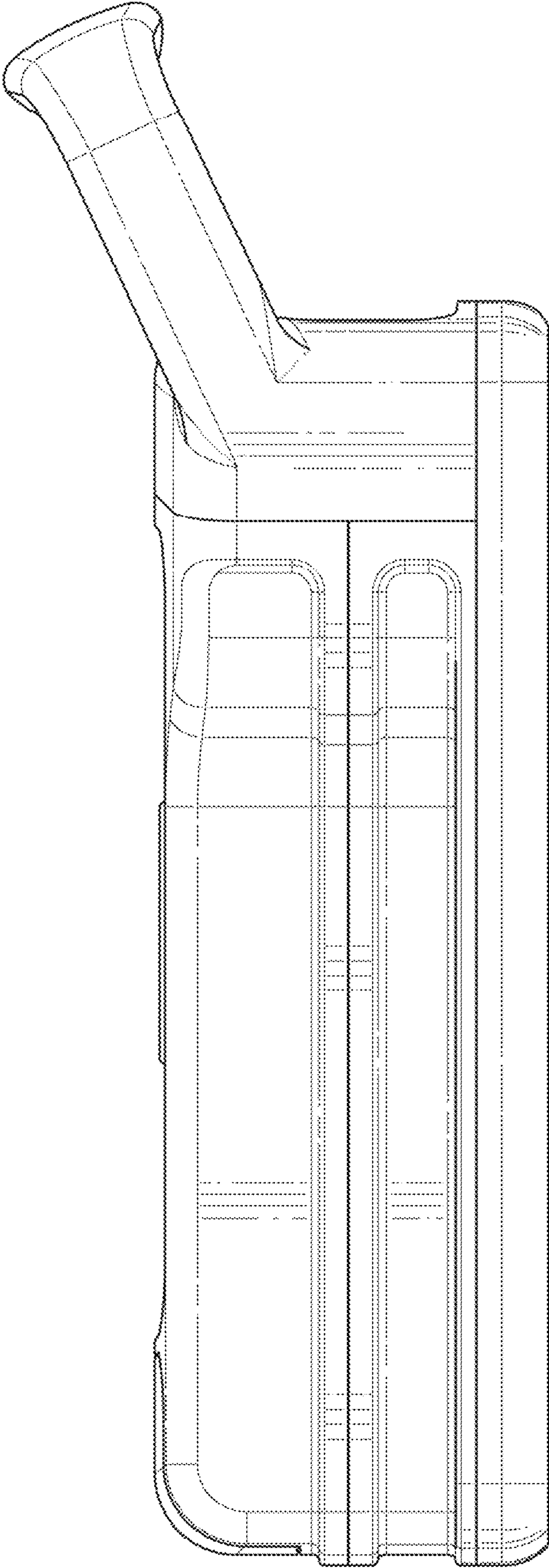


FIG. 5

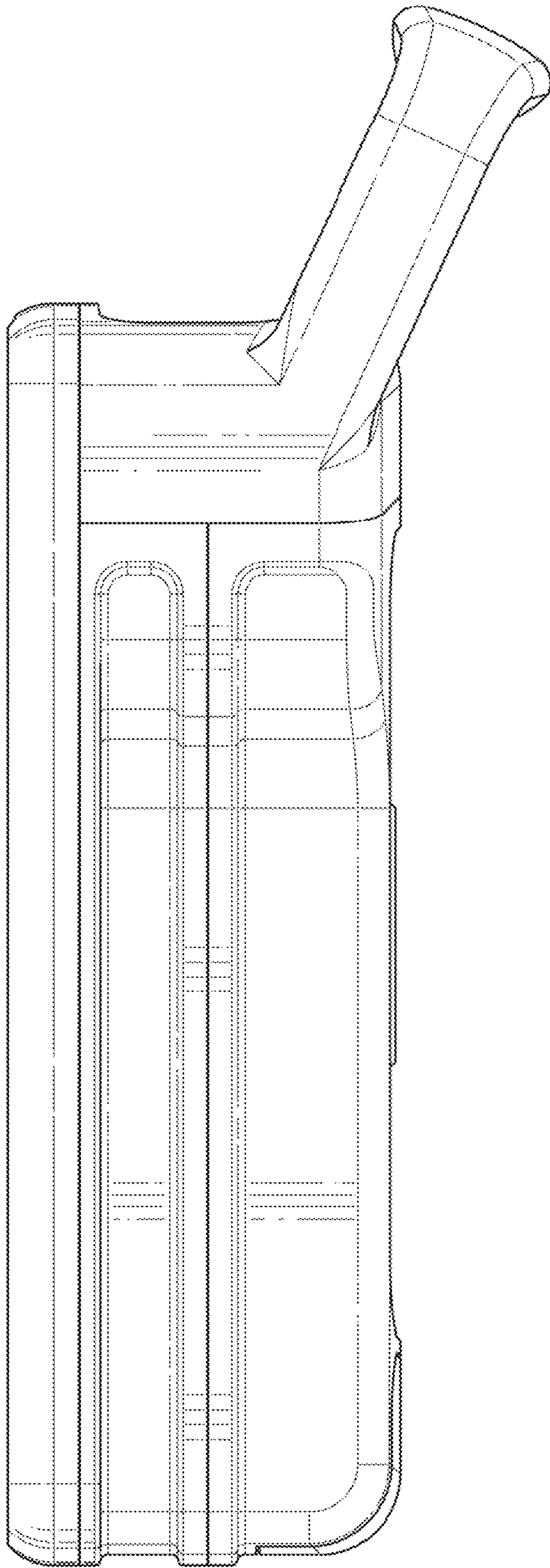


FIG. 6

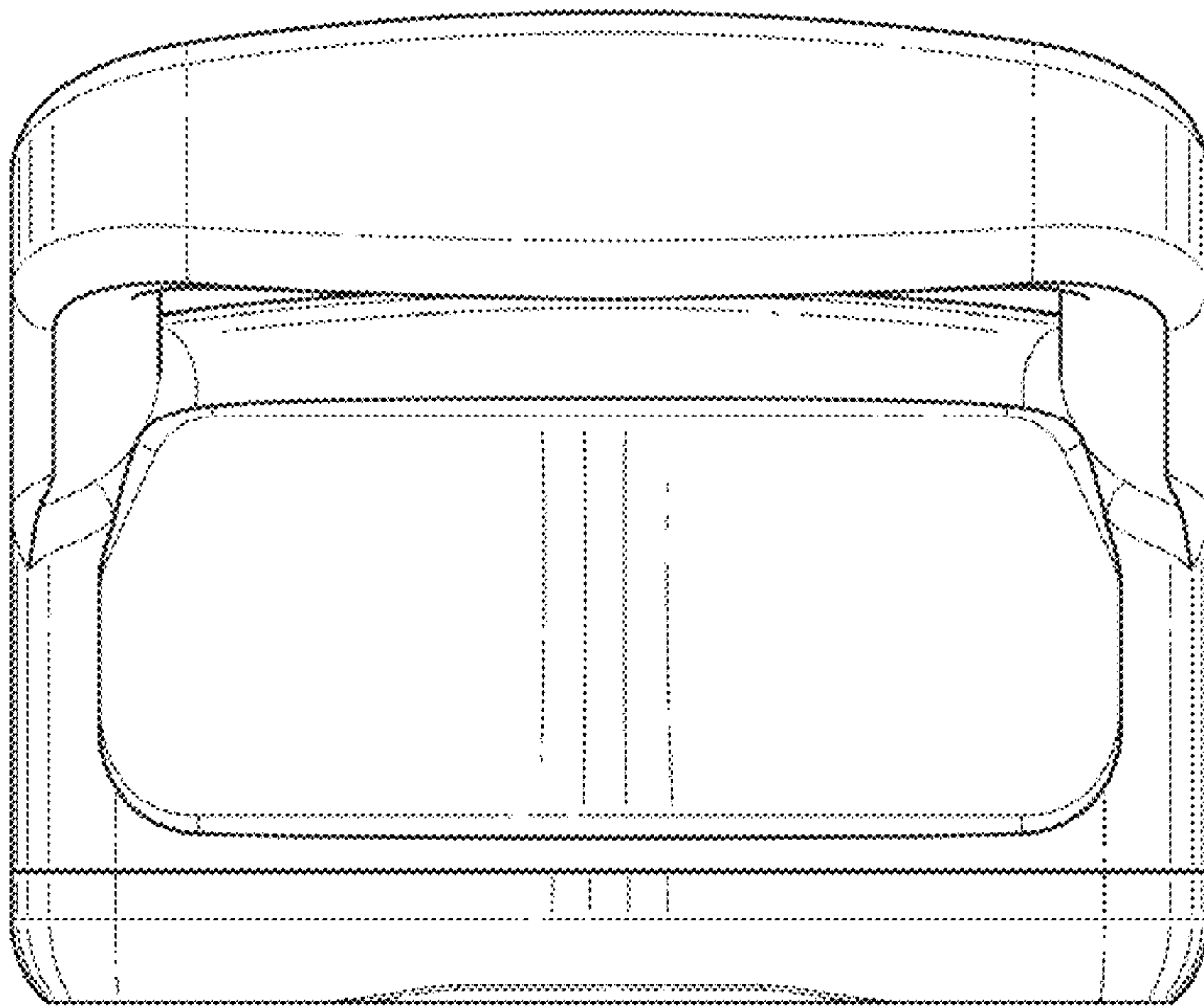


FIG. 7

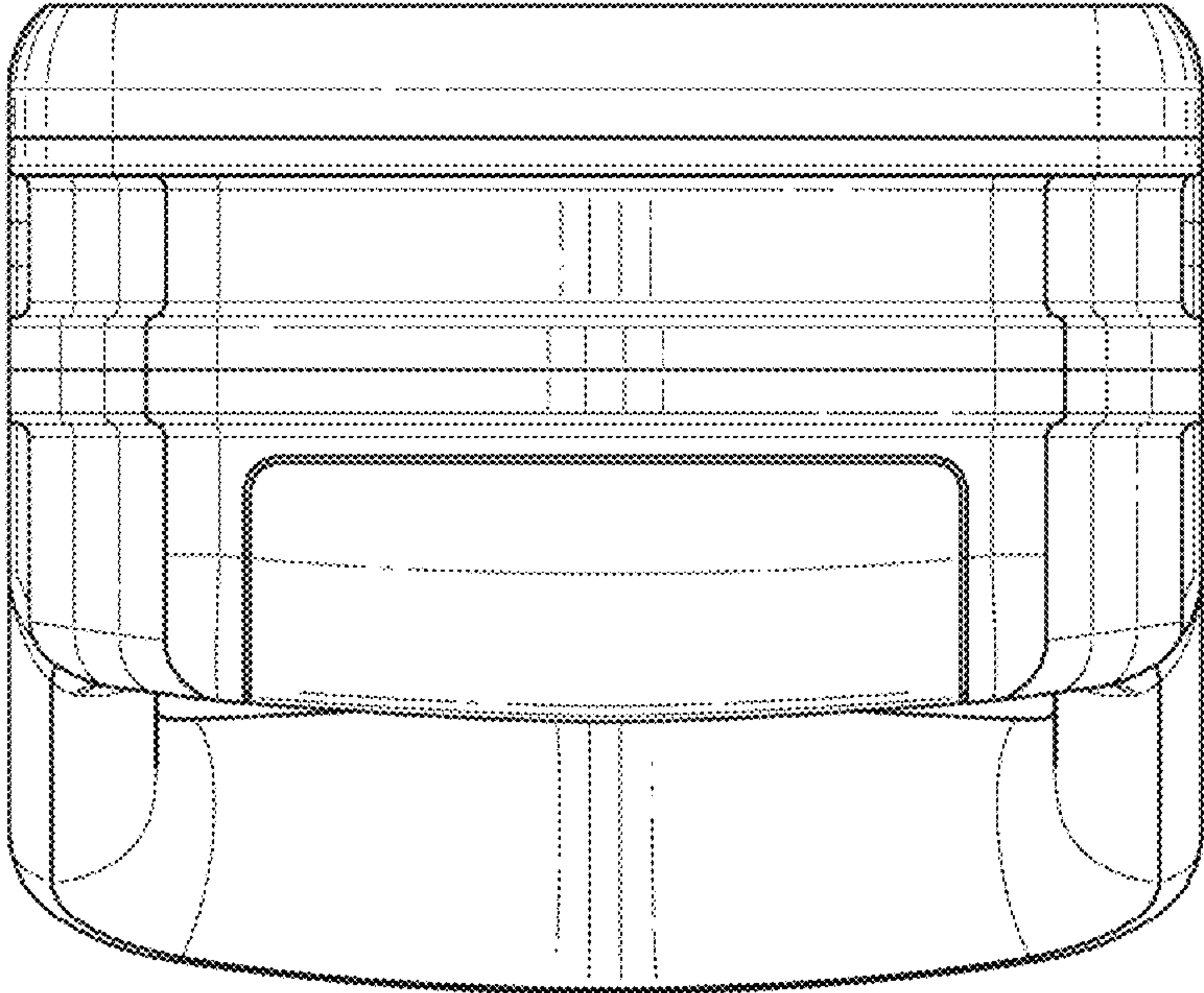


FIG. 8