



US00D878597S

(12) **United States Design Patent**  
**Xiao**

(10) **Patent No.:** **US D878,597 S**

(45) **Date of Patent:** **\*\* \*Mar. 17, 2020**

(54) **LUNG ISOLATION CATHETER FOR EQUILIBRIUM VENTILATION**

(71) Applicant: **Jin Fang Xiao**, Guangzhou (CN)

(72) Inventor: **Jin Fang Xiao**, Guangzhou (CN)

(\*) Notice: This patent is subject to a terminal disclaimer.

(\*\*) Term: **15 Years**

(21) Appl. No.: **29/598,786**

(22) Filed: **Mar. 29, 2017**

(51) **LOC (12) Cl.** ..... **24-02**

(52) **U.S. Cl.**  
USPC ..... **D24/164**

(58) **Field of Classification Search**  
USPC ..... D24/164, 110, 110.5; D7/376; D13/112  
CPC ..... A61B 5/0017; A61B 17/34; A61B 1/2676;  
A61H 31/005; A61H 23/06; A61N  
5/0619; A61M 16/0066; A61M 16/06;  
A61M 16/0463; A61M 16/0418; A61M  
16/04; A61M 16/0465

See application file for complete search history.

(56) **References Cited**

U.S. PATENT DOCUMENTS

2,541,402	A *	2/1951	Caine	.....	A61B 1/2676
					128/200.26
3,307,541	A *	3/1967	Hewson	.....	A61H 31/005
					601/106
3,613,684	A *	10/1971	Sheridan	.....	A61B 17/34
					128/207.29
4,589,410	A *	5/1986	Miller	.....	A61M 16/0418
					128/207.15
4,745,910	A *	5/1988	Day	.....	A61H 23/06
					601/107
4,817,598	A *	4/1989	LaBombard	.....	A61M 16/0465
					128/207.14

4,825,859	A *	5/1989	Lambert	.....	A61M 16/0463
					128/202.16
4,981,139	A *	1/1991	Pfohl	.....	A61B 5/0017
					600/484
6,981,500	B2 *	1/2006	Li	.....	B63C 11/205
					128/200.29
8,800,552	B2 *	8/2014	Burns	.....	A61M 16/04
					128/200.24
D768,846	S *	10/2016	Nasir	.....	D24/110
D769,442	S *	10/2016	Nasir	.....	D24/110.5
D809,125	S *	1/2018	Kheong	.....	D24/110
D827,808	S *	9/2018	Xiao	.....	D24/110
10,118,008	B2 *	11/2018	Grashow	.....	A61M 16/06
2015/0335851	A1 *	11/2015	Cullen	.....	A61M 16/0066
					128/204.25

\* cited by examiner

*Primary Examiner* — Rhea Shields

(57) **CLAIM**

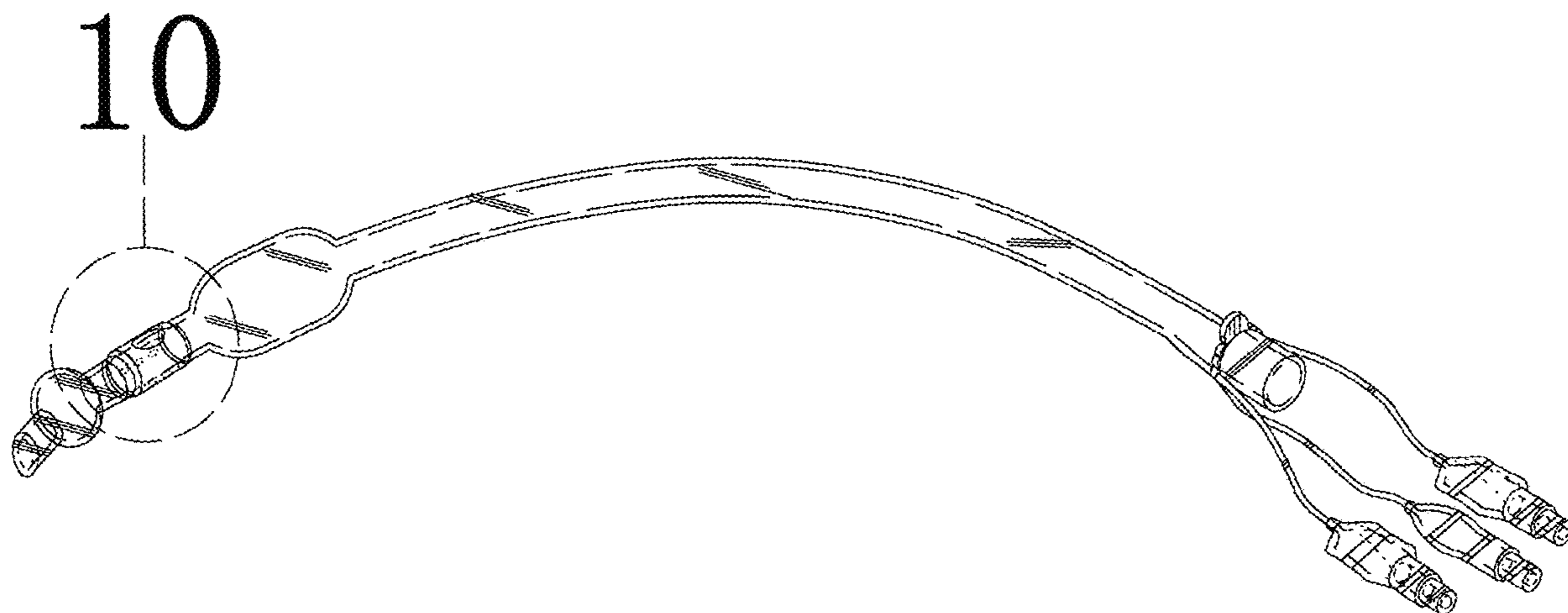
The ornamental design for a lung isolation catheter for equilibrium ventilation, as shown and described.

**DESCRIPTION**

FIG. 1 is a front elevational view of a lung isolation catheter for equilibrium ventilation showing my new design;  
 FIG. 2 is a rear elevational view thereof;  
 FIG. 3 is a left side view thereof;  
 FIG. 4 is a right side view thereof;  
 FIG. 5 is a top plan view thereof;  
 FIG. 6 is an enlarged view taken from FIG. 5;  
 FIG. 7 is a bottom plan view thereof;  
 FIG. 8 is an enlarged view taken from FIG. 7;  
 FIG. 9 is a perspective view thereof; and,  
 FIG. 10 is an enlarged view taken from FIG. 9.

In the drawings, the broken lines are for the purpose of illustrating environment only and form no part of the claimed design.

**1 Claim, 10 Drawing Sheets**



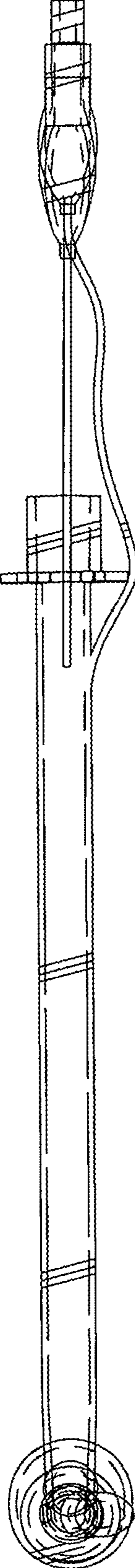


Fig. 1

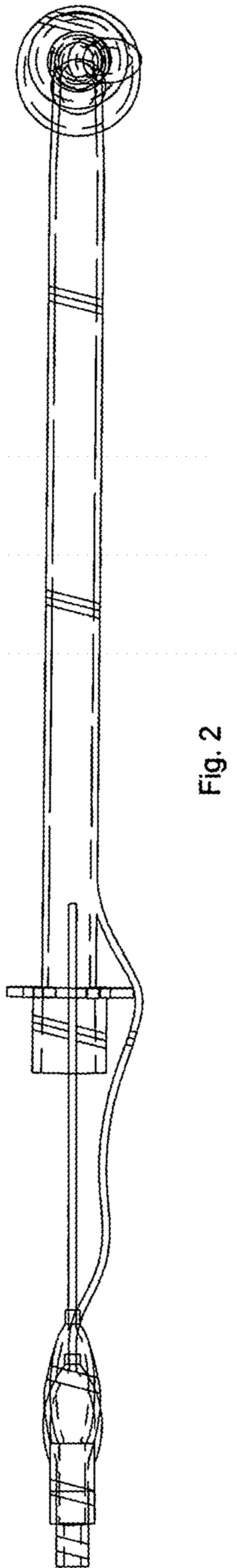


Fig. 2

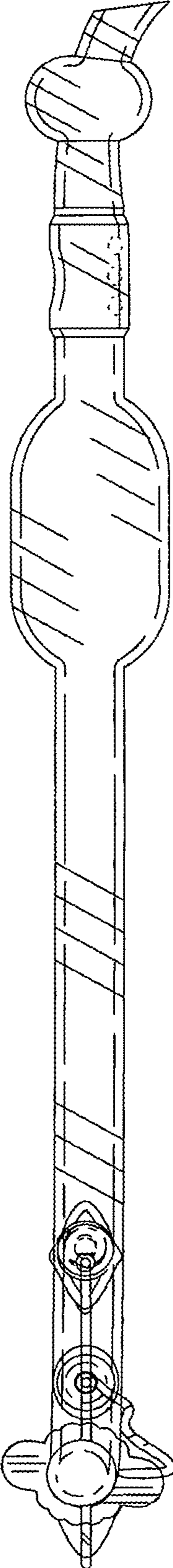


Fig. 3

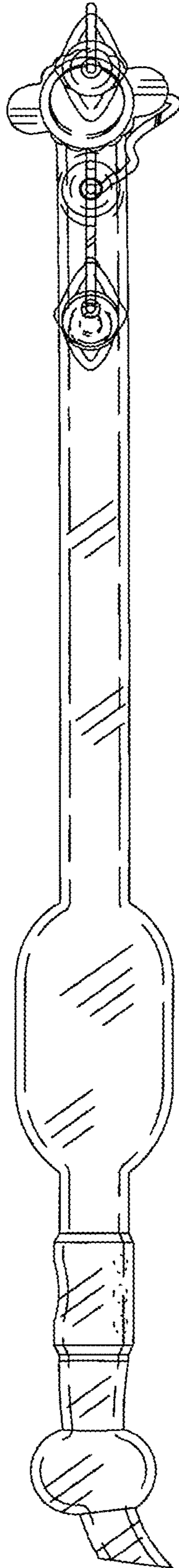


Fig. 4

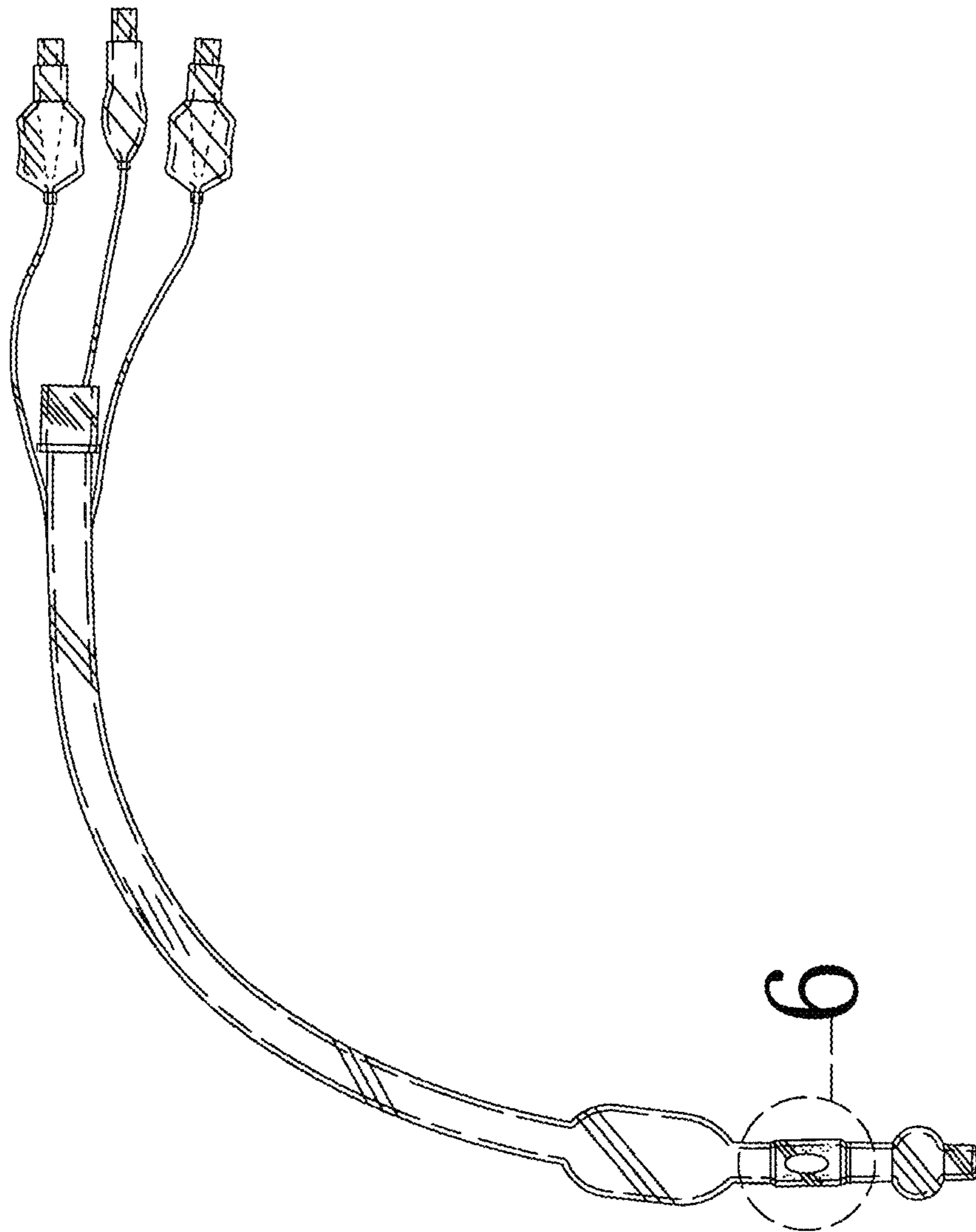


Fig. 5

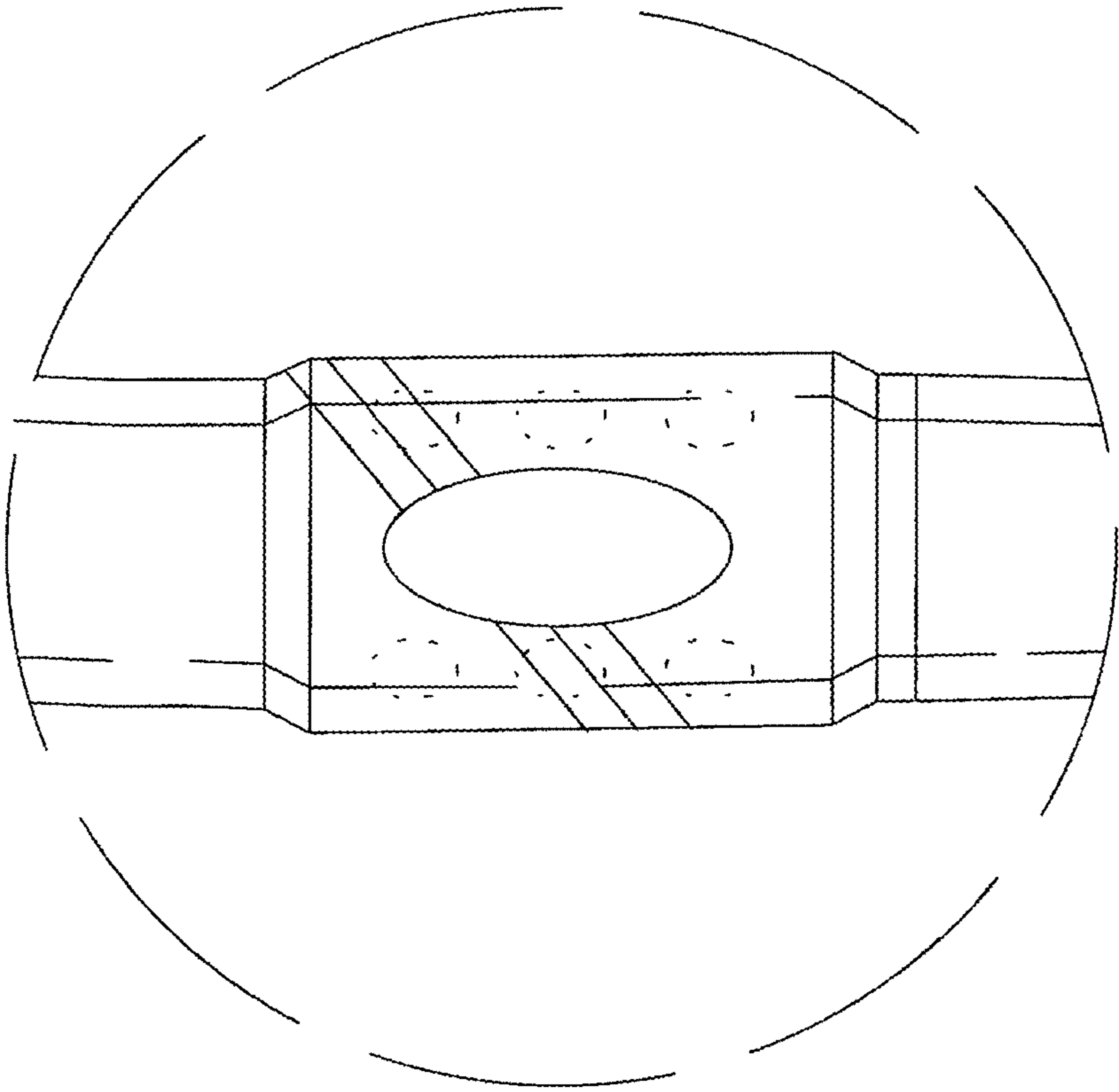


Fig. 6

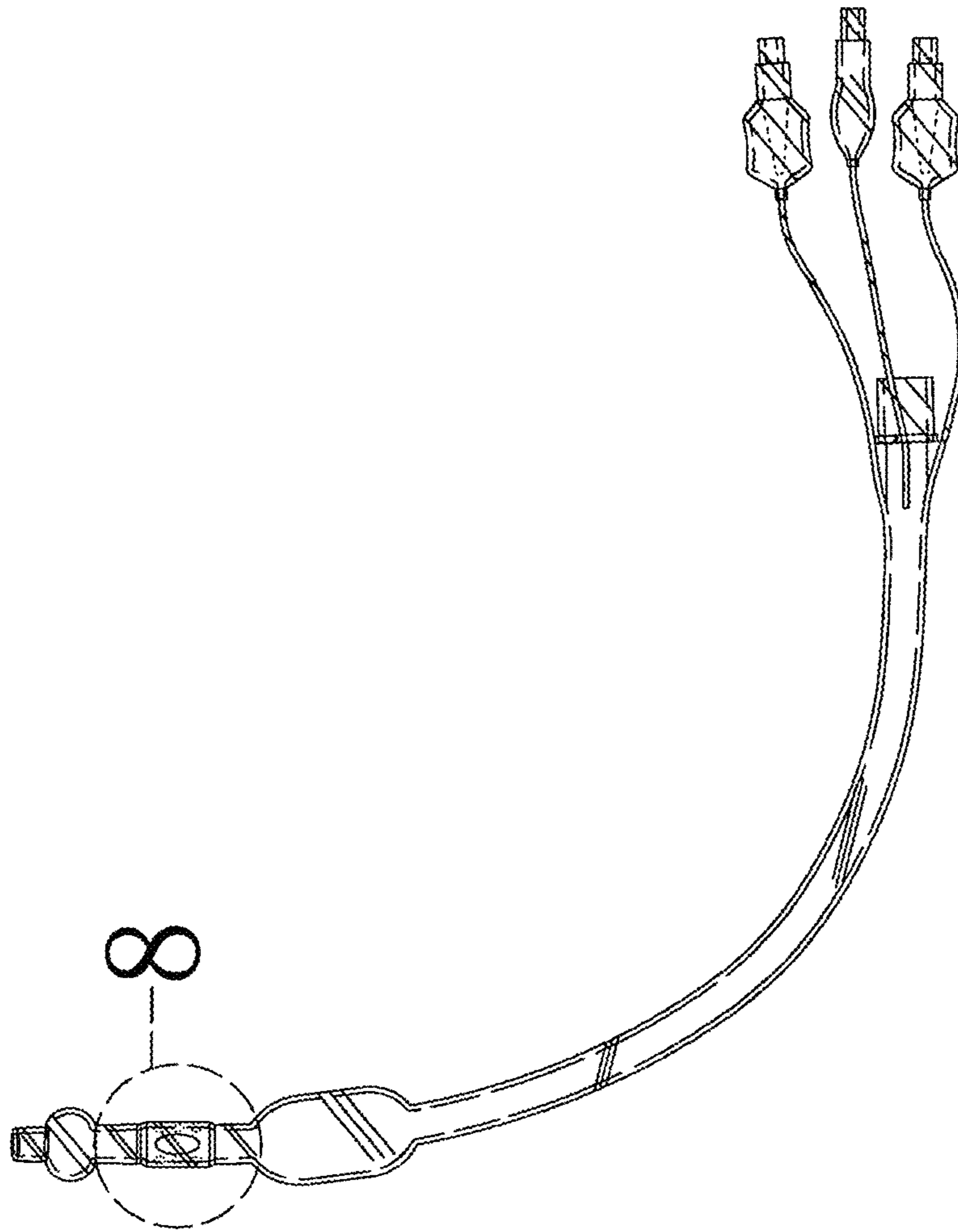


Fig. 7



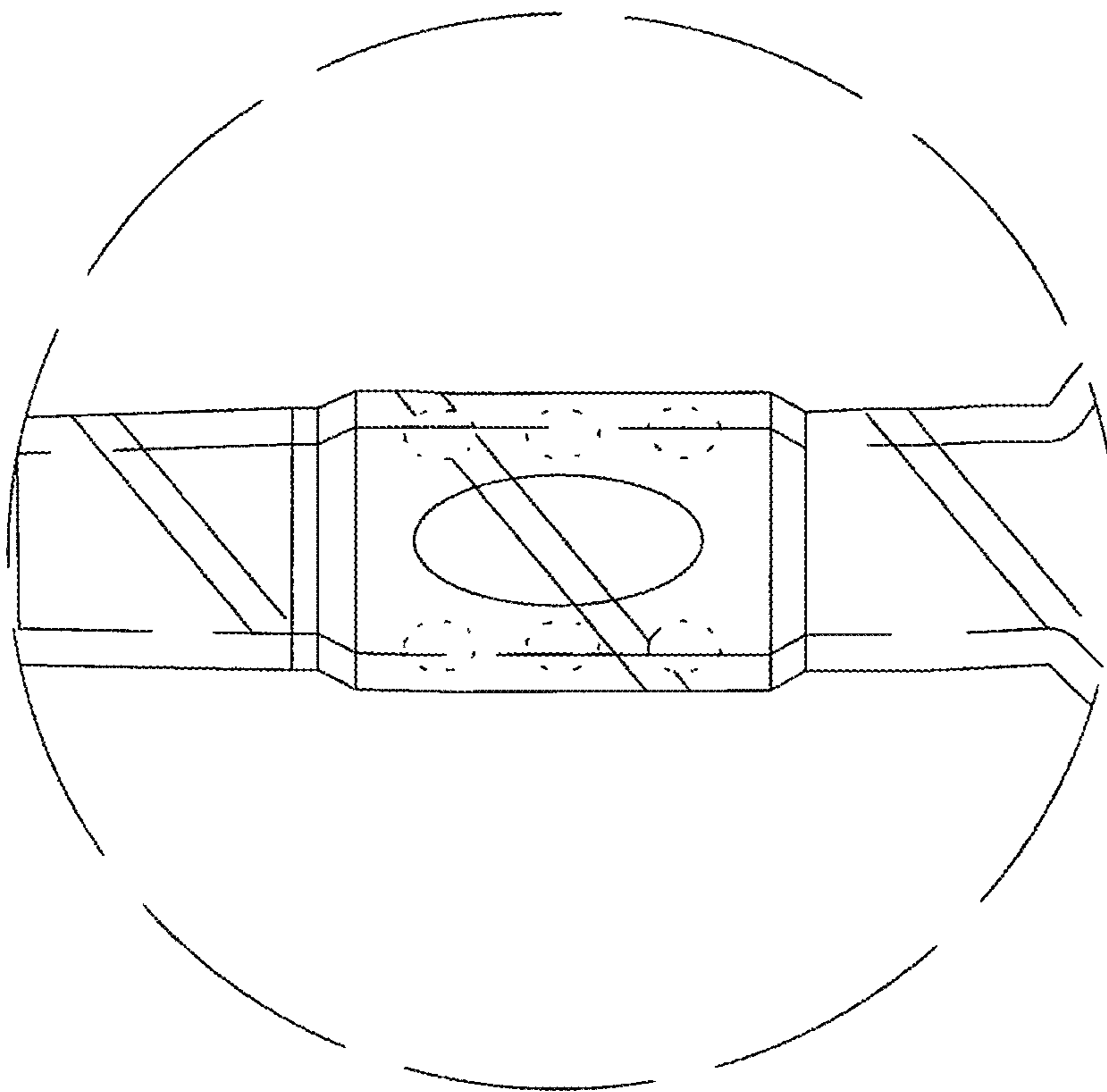


Fig. 8

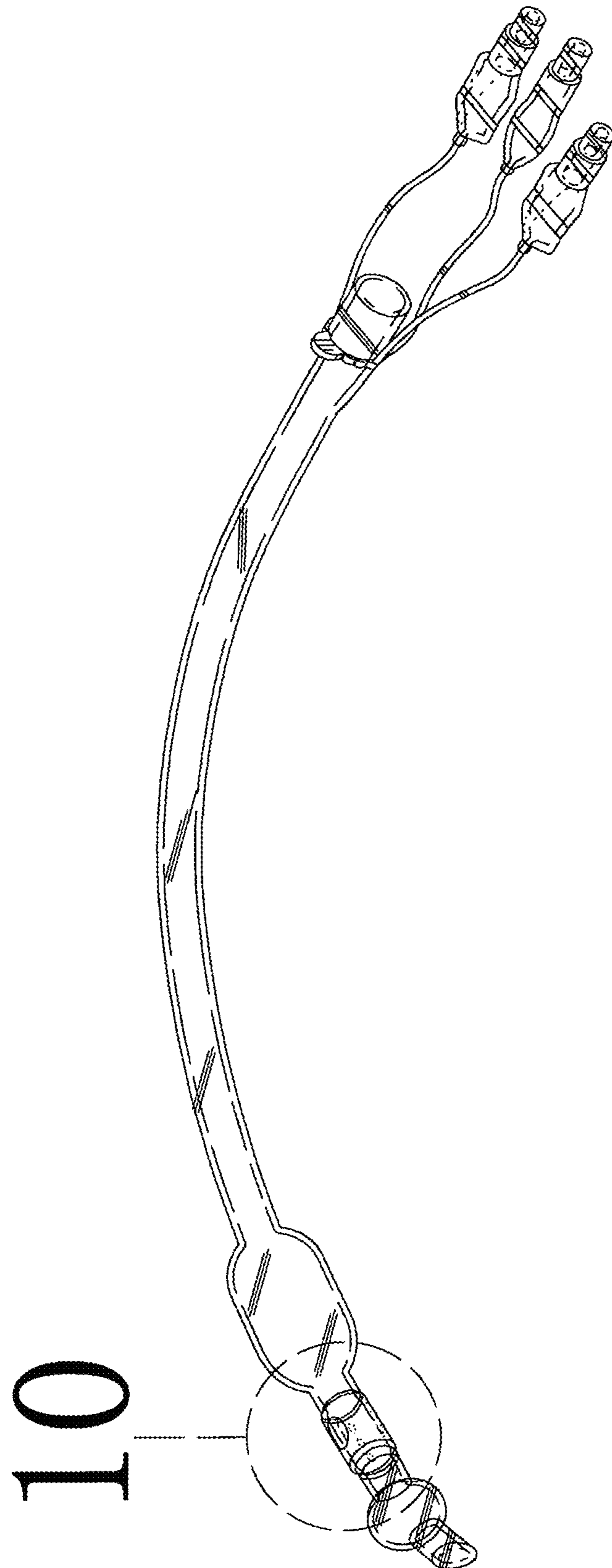


Fig. 9



Fig. 10