



US00D878595S

(12) **United States Design Patent**  
**Termanini et al.**

(10) **Patent No.:** **US D878,595 S**  
(45) **Date of Patent:** **\*\* Mar. 17, 2020**

- (54) **REVISION STEM AND CUP**
- (71) Applicant: **JOINT INNOVATION TECHNOLOGY, LLC**, Boca Raton, FL (US)
- (72) Inventors: **Zafer Termanini**, Port Saint Lucie, FL (US); **George A. Diamantoni**, Boca Raton, FL (US); **Brian Vanhiel**, Smyrna, GA (US); **Taylor Davis**, Atlanta, GA (US)
- (73) Assignee: **Joint Innovation Technology, LLC**, Boca Raton, FL (US)
- (\*\*) Term: **15 Years**
- (21) Appl. No.: **29/699,588**
- (22) Filed: **Jul. 26, 2019**

6,652,591	B2	11/2003	Serbousek et al.
D528,209	S	9/2006	Furlong
7,374,576	B1	5/2008	Ries et al.
D615,204	S	5/2010	Michelinakis et al.
7,842,096	B2 *	11/2010	Fridshtand ..... A61F 2/3676 623/23.35
8,409,295	B2	4/2013	Geller
8,906,108	B2	12/2014	Armocost et al.
D757,269	S	5/2016	Prybyla et al.
D766,435	S *	9/2016	Link ..... D24/155
D774,194	S *	12/2016	Dacus ..... D24/155
2002/0111692	A1 *	8/2002	Ralph ..... A61F 2/30734 623/23.17
2003/0060891	A1 *	3/2003	Shah ..... A61F 2/30728 623/22.13
2003/0074079	A1 *	4/2003	McTighe ..... A61F 2/30767 623/22.42
2003/0074080	A1 *	4/2003	Murray ..... A61F 2/3609 623/22.42
2003/0074083	A1 *	4/2003	LeGros ..... A61F 2/3601 623/23.35

(Continued)

**Related U.S. Application Data**

- (63) Continuation of application No. 29/626,232, filed on Nov. 15, 2017, now abandoned.
- (51) **LOC (12) Cl.** ..... **24-03**
- (52) **U.S. Cl.**  
USPC ..... **D24/155**
- (58) **Field of Classification Search**  
USPC ..... D24/155  
CPC ..... A61F 2/36; A61F 2/3662; A61F 2/30767;  
A61F 2/34; A61F 2002/3631; A61F  
2002/30332; A61F 2002/365; A61F  
2002/30507; A61F 2310/00029  
See application file for complete search history.

**References Cited**

**U.S. PATENT DOCUMENTS**

- D339,634 S 9/1993 Hori et al.
- 6,514,288 B2 2/2003 Meulink et al.

*Primary Examiner* — Charles D Hanson

(74) *Attorney, Agent, or Firm* — Norris McLaughlin, PA

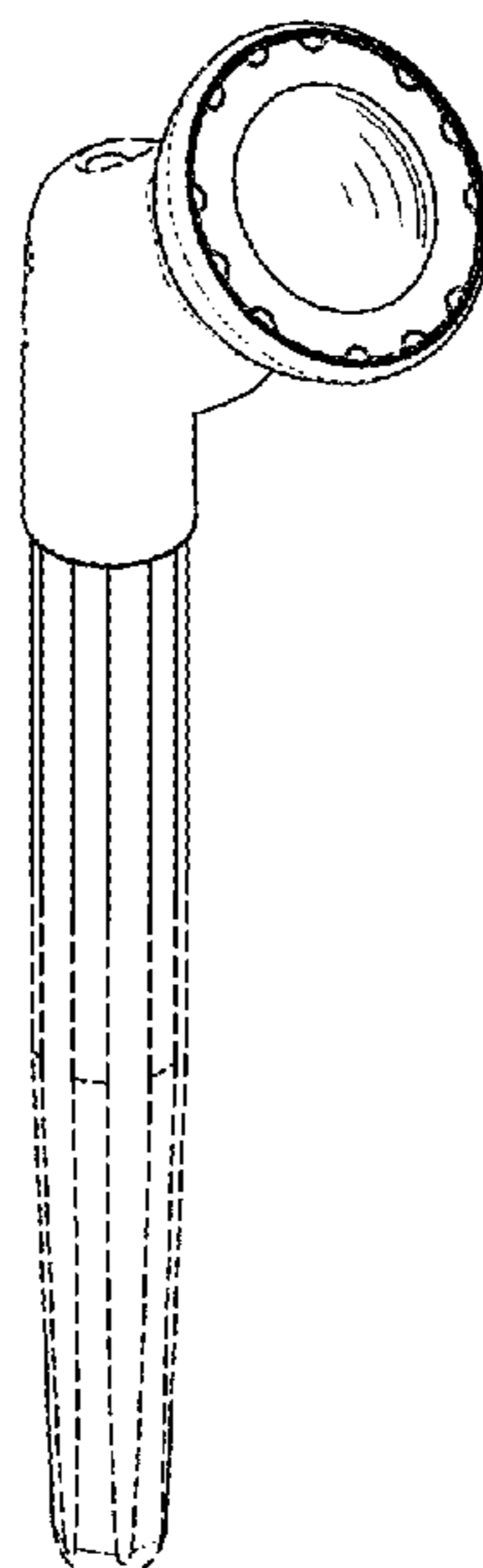
(57) **CLAIM**

The ornamental design for a revision stem and cup, as shown and described.

**DESCRIPTION**

FIG. 1 is a front perspective view of a revision stem and cup; FIG. 2 is a first side elevational view thereof; FIG. 3 is a second side elevational view thereof; FIG. 4 is a rear side elevational view thereof; FIG. 5 is a front side elevational view thereof; FIG. 6 is a top plan view thereof; and, FIG. 7 is a bottom plan view thereof. Portions of the figures enclosed in broken lines form no part of the claimed design.

**1 Claim, 7 Drawing Sheets**



(56)

**References Cited**

U.S. PATENT DOCUMENTS

2003/0109933 A1\* 6/2003 Weissman ..... A61B 17/8808  
623/23.22  
2008/0039950 A1 2/2008 Splieth et al.  
2008/0167723 A1\* 7/2008 Acker ..... A61F 2/30767  
623/22.4  
2008/0255675 A1 10/2008 Sidebotham

\* cited by examiner

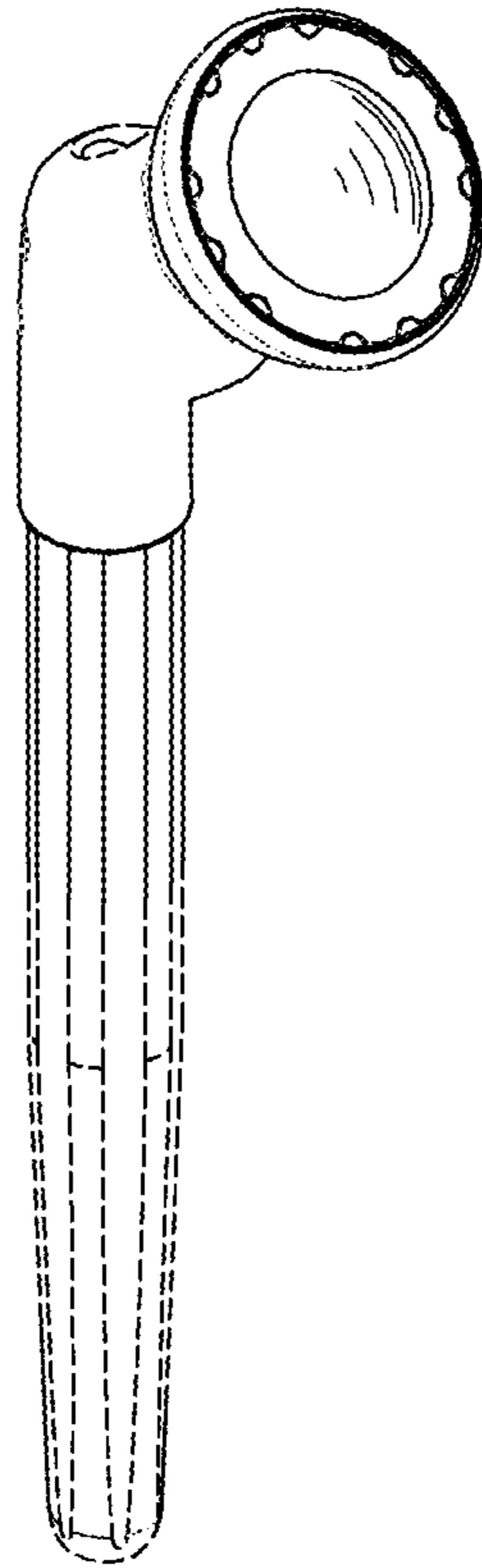


FIG. 1

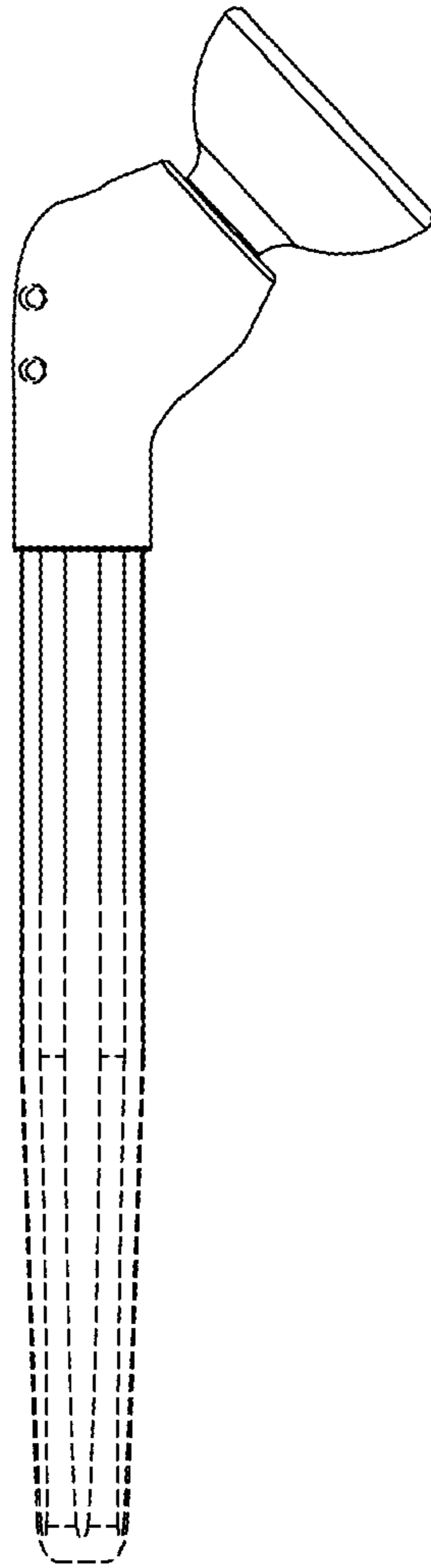


FIG. 2

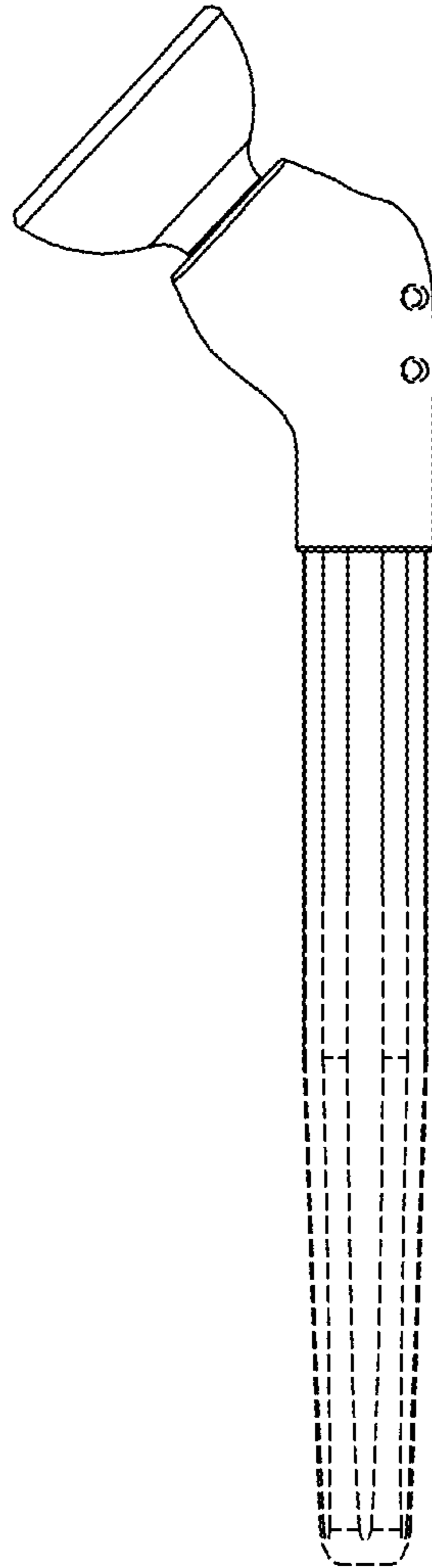


FIG. 3

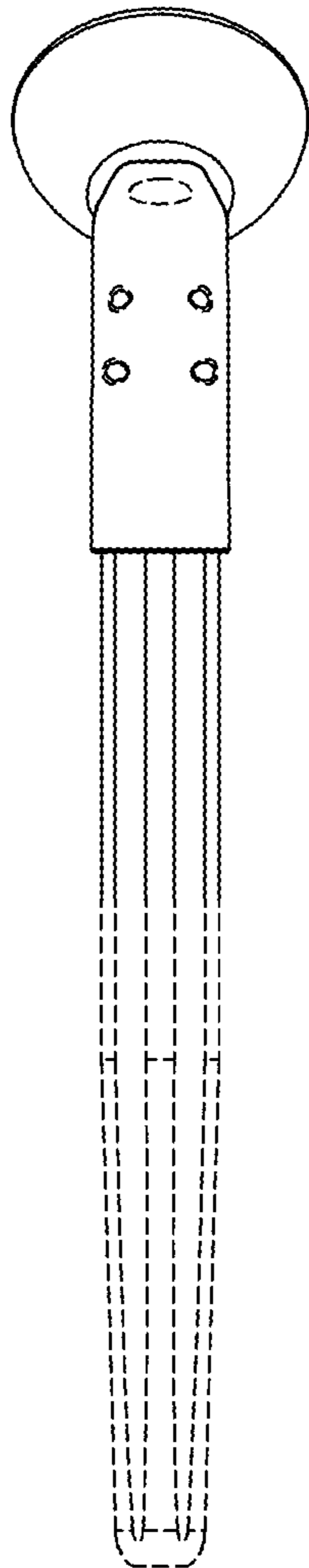


FIG. 4

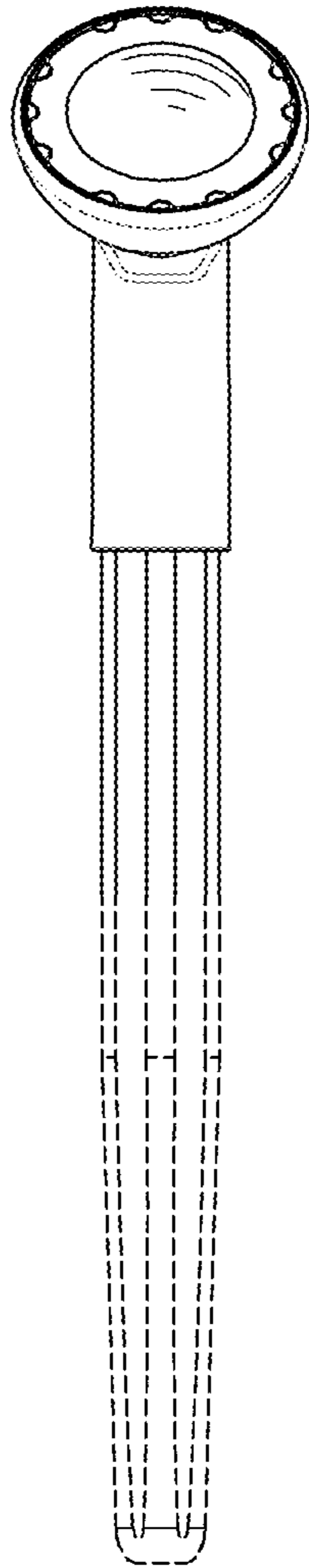


FIG. 5

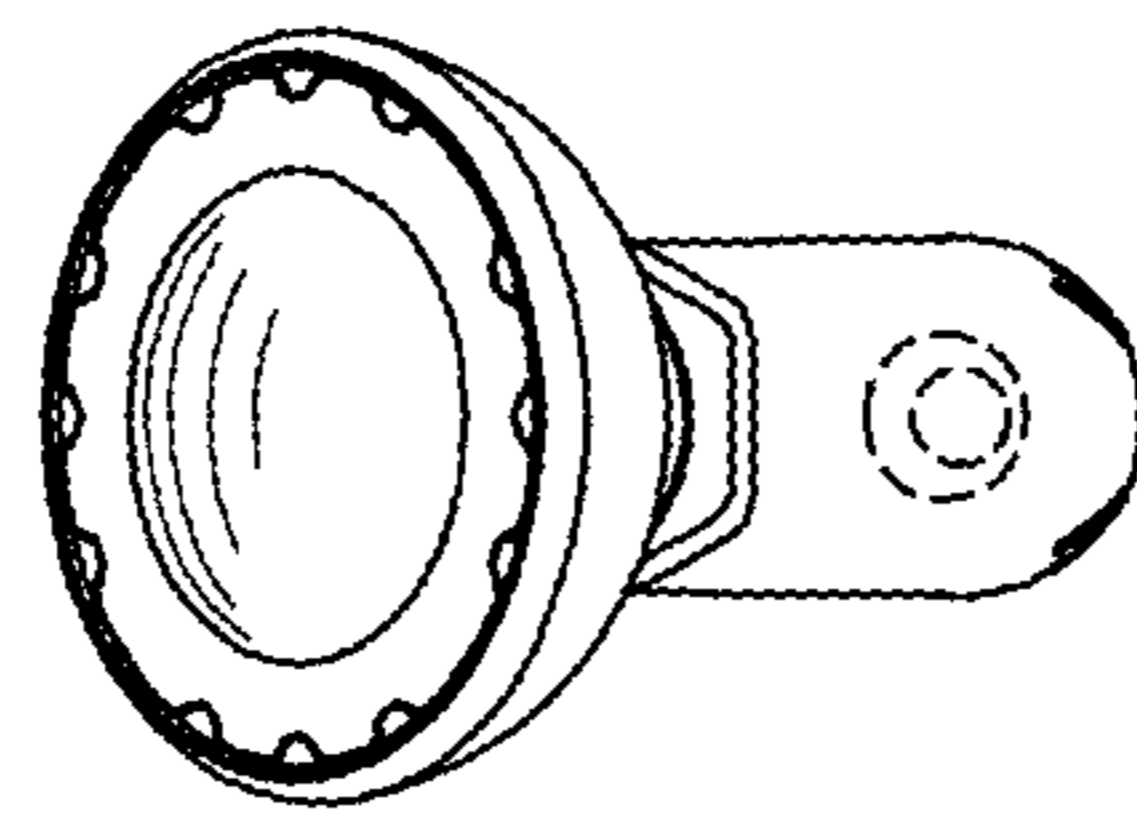


FIG. 6



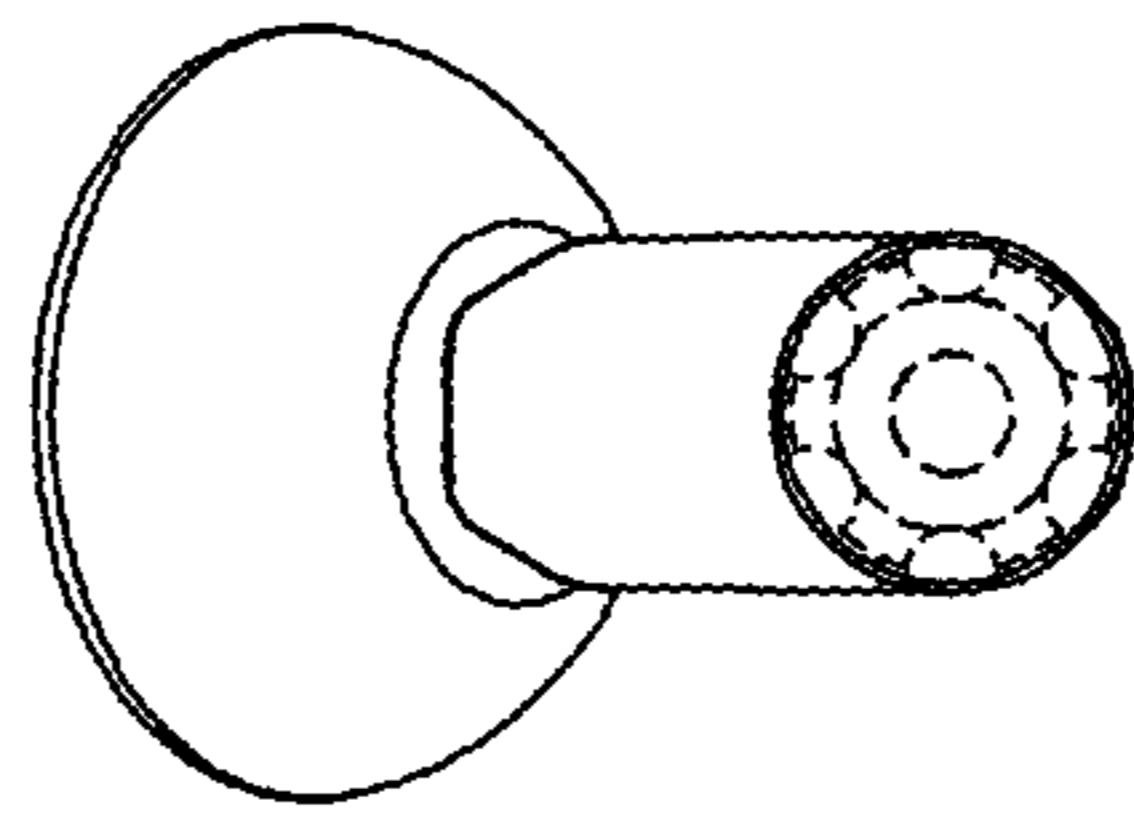


FIG. 7