



US00D878588S

(12) **United States Design Patent**
Chang et al.

(10) **Patent No.:** **US D878,588 S**
(45) **Date of Patent:** **** Mar. 17, 2020**

(54) **DENTAL SCANNER**
(71) Applicant: **MEDIT CORP.**, Seoul (KR)
(72) Inventors: **Min Ho Chang**, Seoul (KR); **Jin Pyo Chun**, Seoul (KR)

D558,345 S * 12/2007 Witt D24/152
D722,164 S * 2/2015 Graham, II D24/152
D780,182 S * 2/2017 Klein D14/426
D785,176 S * 4/2017 Tseng D16/208
D810,293 S * 2/2018 Peel D24/152
D829,325 S * 9/2018 Frenkler D24/138
2016/0330355 A1 * 11/2016 Tchouprakov A61B 1/00172

(73) Assignee: **MEDIT CORP.**, Seoul (KR)

* cited by examiner

(**) Term: **15 Years**

Primary Examiner — Eliza Z Bennett-Hattan

(21) Appl. No.: **35/504,952**

(74) *Attorney, Agent, or Firm* — Millen, White, Zelano & Branigan, P.C.; William F. Nixon

(22) Filed: **Apr. 12, 2018**

(80) **Hague Agreement Data**

Int. Filing Date: **Apr. 12, 2018**
Int. Reg. No.: **DM/100979**
Int. Reg. Date: **Apr. 12, 2018**
Int. Reg. Pub. Date: **May 18, 2018**

(57) **CLAIM**

The ornamental design for a dental scanner, as shown and described.

(51) **LOC (12) Cl.** **24-02**

(52) **U.S. Cl.**
USPC **D24/152**

DESCRIPTION

(58) **Field of Classification Search**
USPC D24/152, 127, 153, 154, 133, 177, 176;
D8/30, 31
CPC .. G06T 7/75; G06T 15/08; G06T 7/55; H04N
13/271; H04N 13/254; H04N 13/257;
H04N 13/246; H04N 13/221; A61C
9/0053; A61B 5/7435; A61B 5/7203;
A61B 5/0086; A61B 5/0062; A61B 1/24;
A61B 5/0088

1. Dental scanner
1.1 is a perspective view of the dental scanner showing our new design.
1.2 is a front view thereof.
1.3 is a back view thereof.
1.4 is a top view thereof.
1.5 is a bottom view thereof.
1.6 is a left view thereof.
1.7 is a right view thereof.

See application file for complete search history.

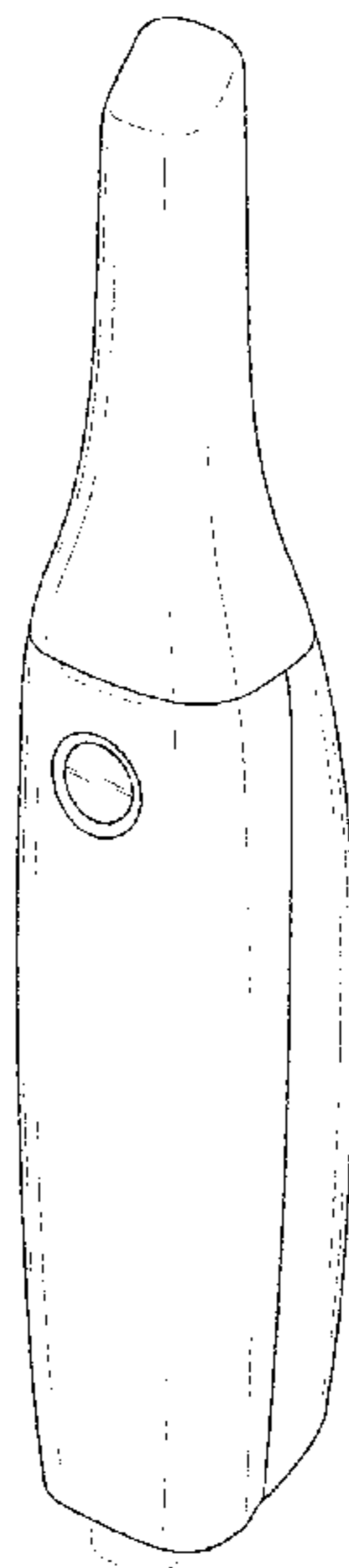
The article is used to scan and measure with precision, objects such as teeth plaster molds shaped from the actual patient for the purpose of making a dental prosthesis. The broken lines in the figures depict portions of the dental scanner that form no part of the claimed design.

(56) **References Cited**

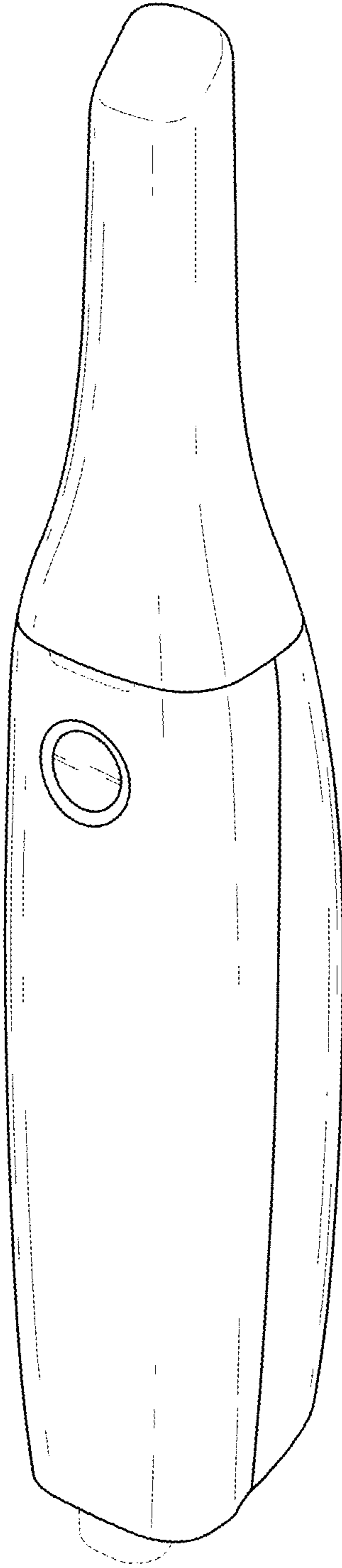
U.S. PATENT DOCUMENTS

5,771,067 A * 6/1998 Williams A61B 1/00177
348/66
D414,867 S * 10/1999 Moriwaki D24/152

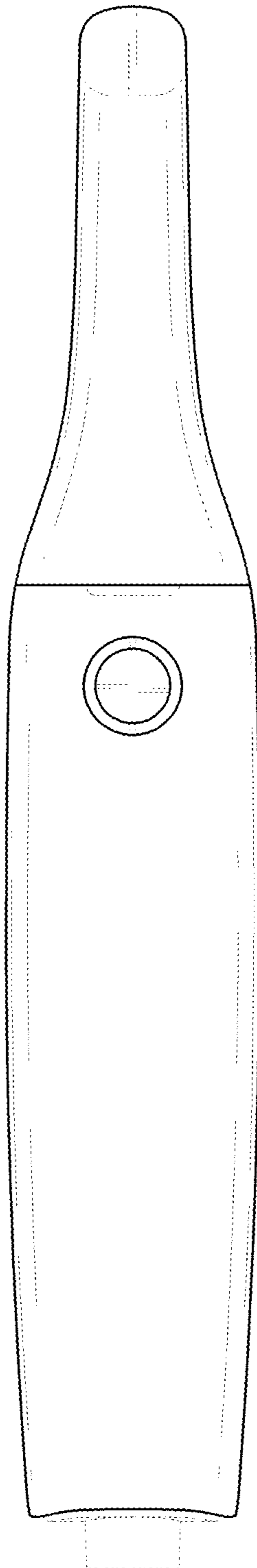
1 Claim, 7 Drawing Sheets



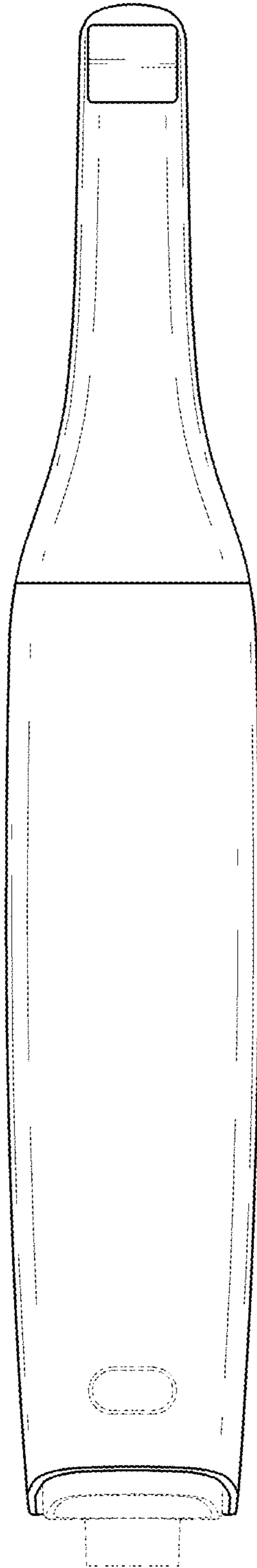
1.1



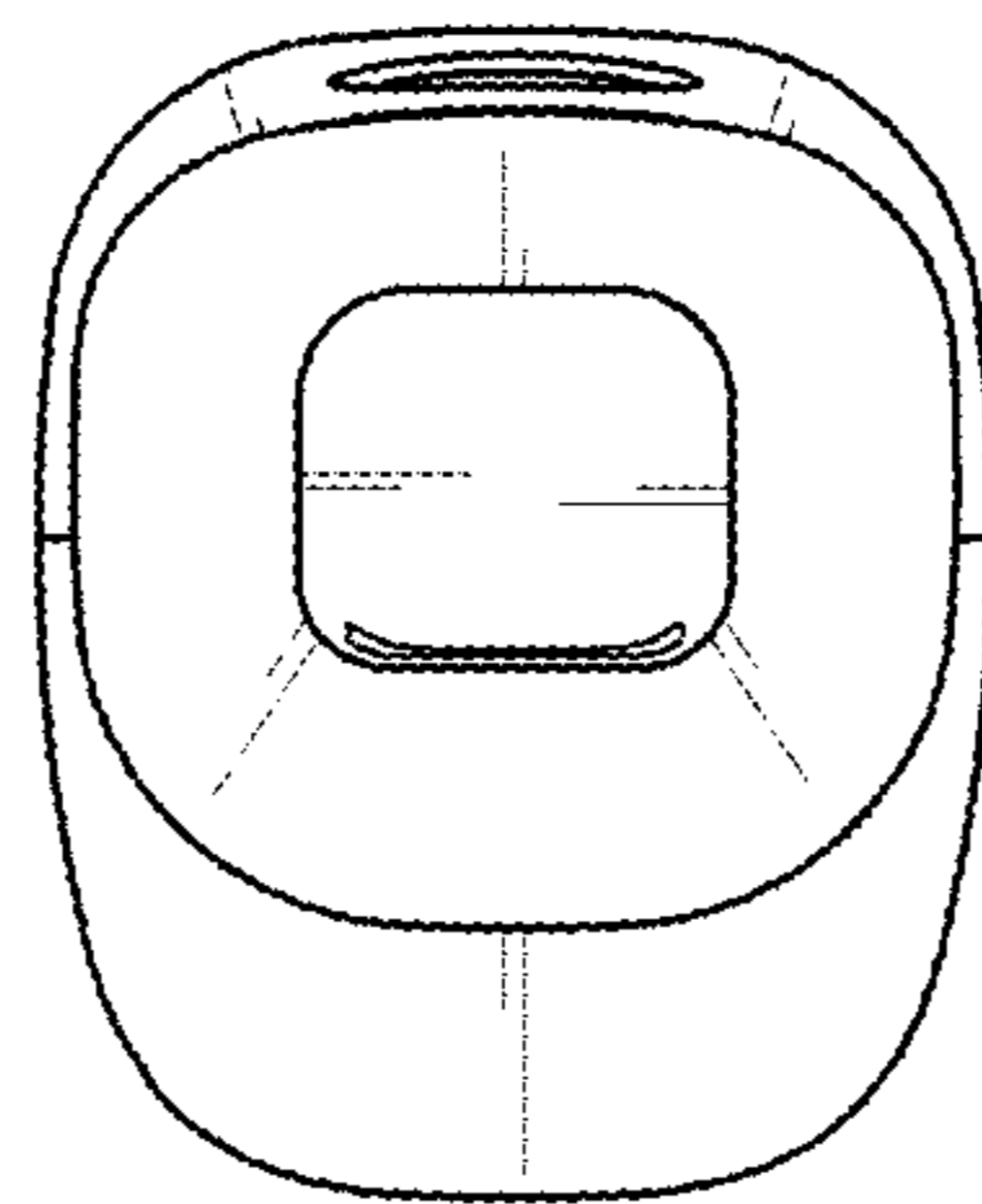
1.2



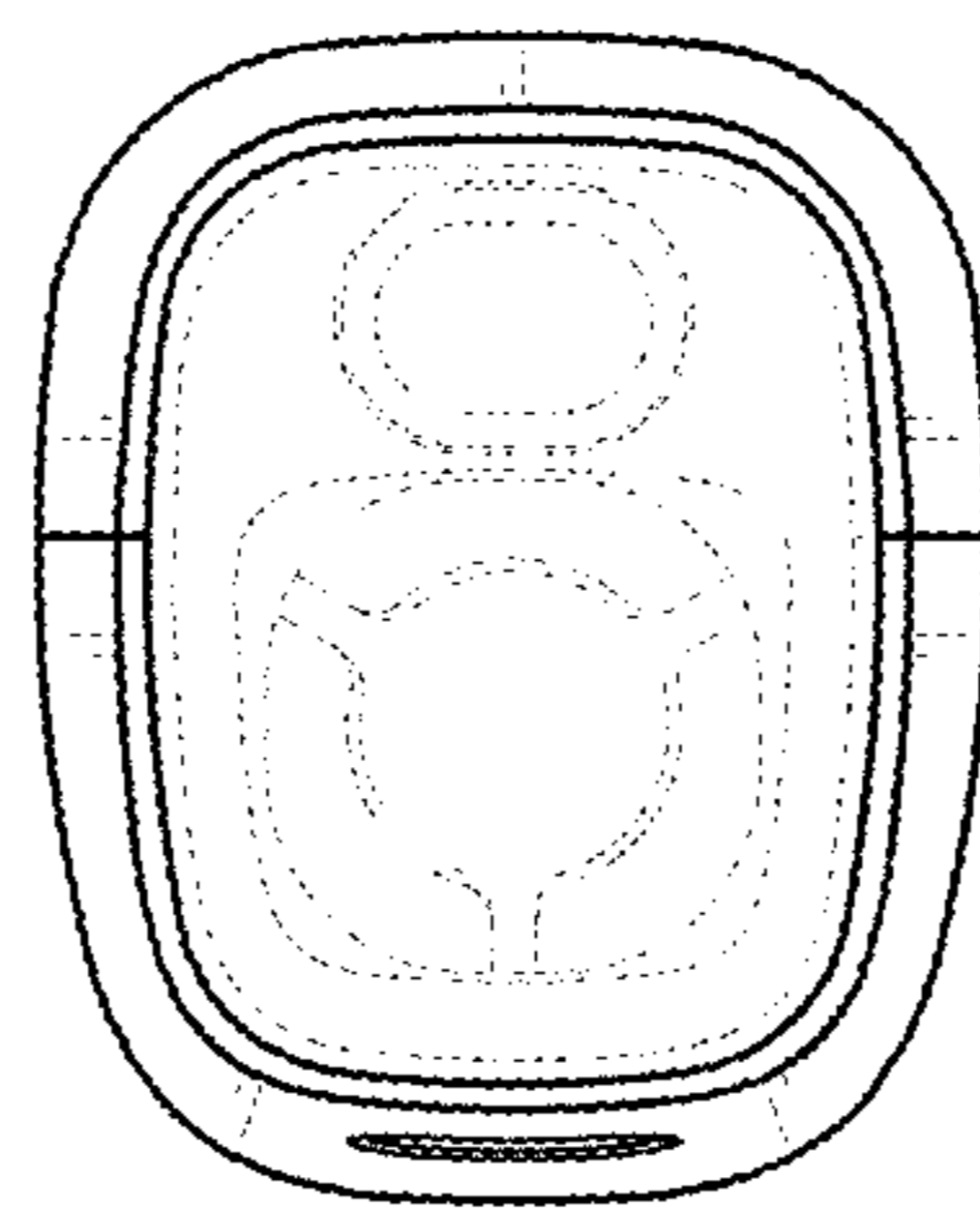
1.3



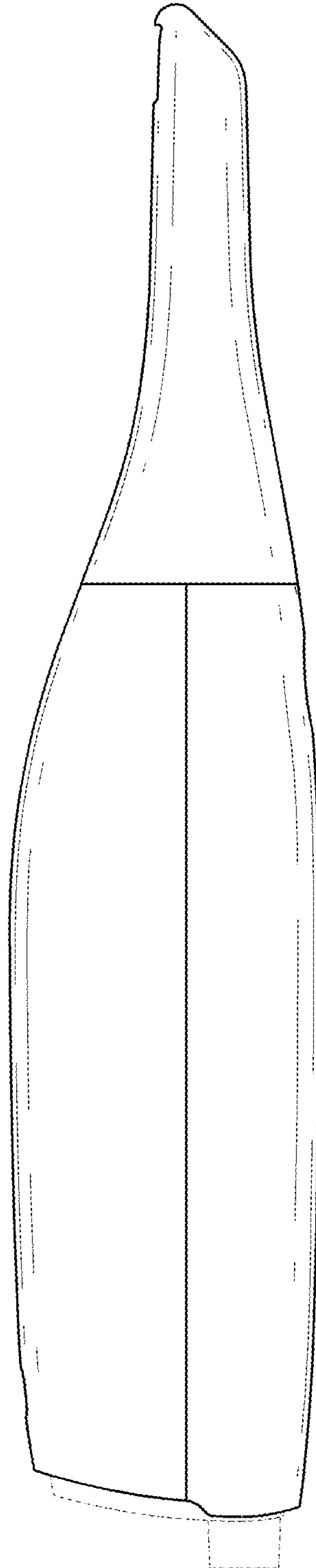
1.4



1.5



1.6



1.7

