



US00D878587S

(12) **United States Design Patent**
Ramirez

(10) **Patent No.:** **US D878,587 S**
(45) **Date of Patent:** **** Mar. 17, 2020**

(54) **ADJUSTABLE HOLDER FOR HYGIENIC WIPES**

(71) Applicant: **Paul V. Ramirez**, Warren, MI (US)

(72) Inventor: **Paul V. Ramirez**, Warren, MI (US)

(**) Term: **15 Years**

(21) Appl. No.: **29/635,188**

(22) Filed: **Jan. 29, 2018**

Related U.S. Application Data

(63) Continuation-in-part of application No. 29/527,920, filed on May 22, 2015, now abandoned.

(51) **LOC (12) Cl.** **24-02**

(52) **U.S. Cl.**
USPC **D24/147**

(58) **Field of Classification Search**
USPC D4/121, 137; D6/323; D8/307, 300;
D24/133, 126, 140, 119, 146, 147, 144,
D24/137; D28/7
CPC A61Q 19/00; A61Q 19/08; A61Q 19/10;
A61Q 19/007; A61Q 19/02; A61N
5/0616; A61N 1/328; A61N 2005/0644;
A61M 35/003; A61M 35/00

See application file for complete search history.

(56) **References Cited**

U.S. PATENT DOCUMENTS

2,149,061 A * 2/1939 Martelli A47L 13/28
15/210.1
D129,526 S * 9/1941 Hanisch D28/36
5,044,040 A 9/1991 Tetrault
5,067,194 A 11/1991 Rosenfeld et al.
D346,861 S * 5/1994 Martin D24/133
5,875,512 A 3/1999 Lathan
D433,821 S * 11/2000 Brutus D6/317
6,158,077 A 12/2000 Wenger et al.

D439,977 S * 4/2001 Wenger D24/133
6,269,516 B1 8/2001 Saatjian et al.
6,272,716 B1 8/2001 Thornton
6,955,662 B2 10/2005 Moser et al.
7,182,232 B2 * 2/2007 Fleming A47G 25/485
223/88
7,240,390 B2 * 7/2007 Pfenniger A46B 5/0062
15/105
7,249,392 B1 7/2007 Paille
7,698,773 B2 4/2010 Sotelo
8,122,558 B1 2/2012 Gary et al.
8,151,400 B2 4/2012 McCoy
8,156,598 B2 4/2012 McDowell
8,341,796 B1 * 1/2013 Rhee A47K 7/08
15/210.1
8,925,137 B1 * 1/2015 Munoz A47K 7/08
15/143.1
9,492,021 B2 * 11/2016 Kebreau A47F 7/065
2009/0159487 A1 * 6/2009 Tacoma A47K 7/028
206/581

* cited by examiner

Primary Examiner — Eliza Z Bennett-Hattan
(74) *Attorney, Agent, or Firm* — Carrier Blackman & Associates, P.C.; Joseph P. Carrier; William D. Blackman

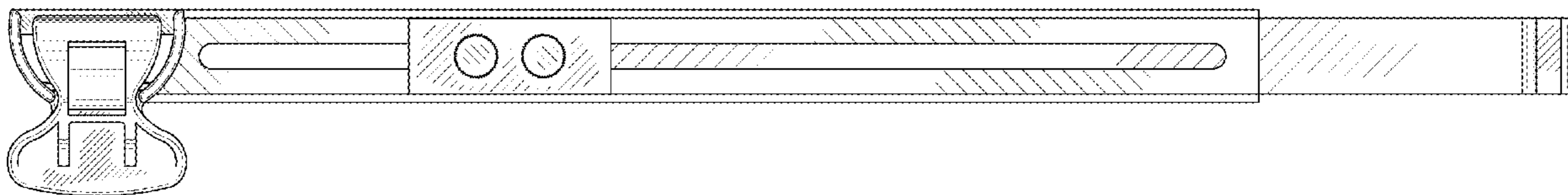
(57) **CLAIM**

The ornamental design for an adjustable holder for hygienic wipes, as shown and described.

DESCRIPTION

FIG. 1 is an exploded front perspective view of my new, original, and ornamental design of an adjustable holder for hygienic wipes;
FIG. 2 is a top plan view thereof;
FIG. 3 is a bottom plan view thereof;
FIG. 4 is a right side view thereof;
FIG. 5 is a left side view thereof;
FIG. 6 is a front view thereof; and,
FIG. 7 is a rear view thereof.

1 Claim, 3 Drawing Sheets



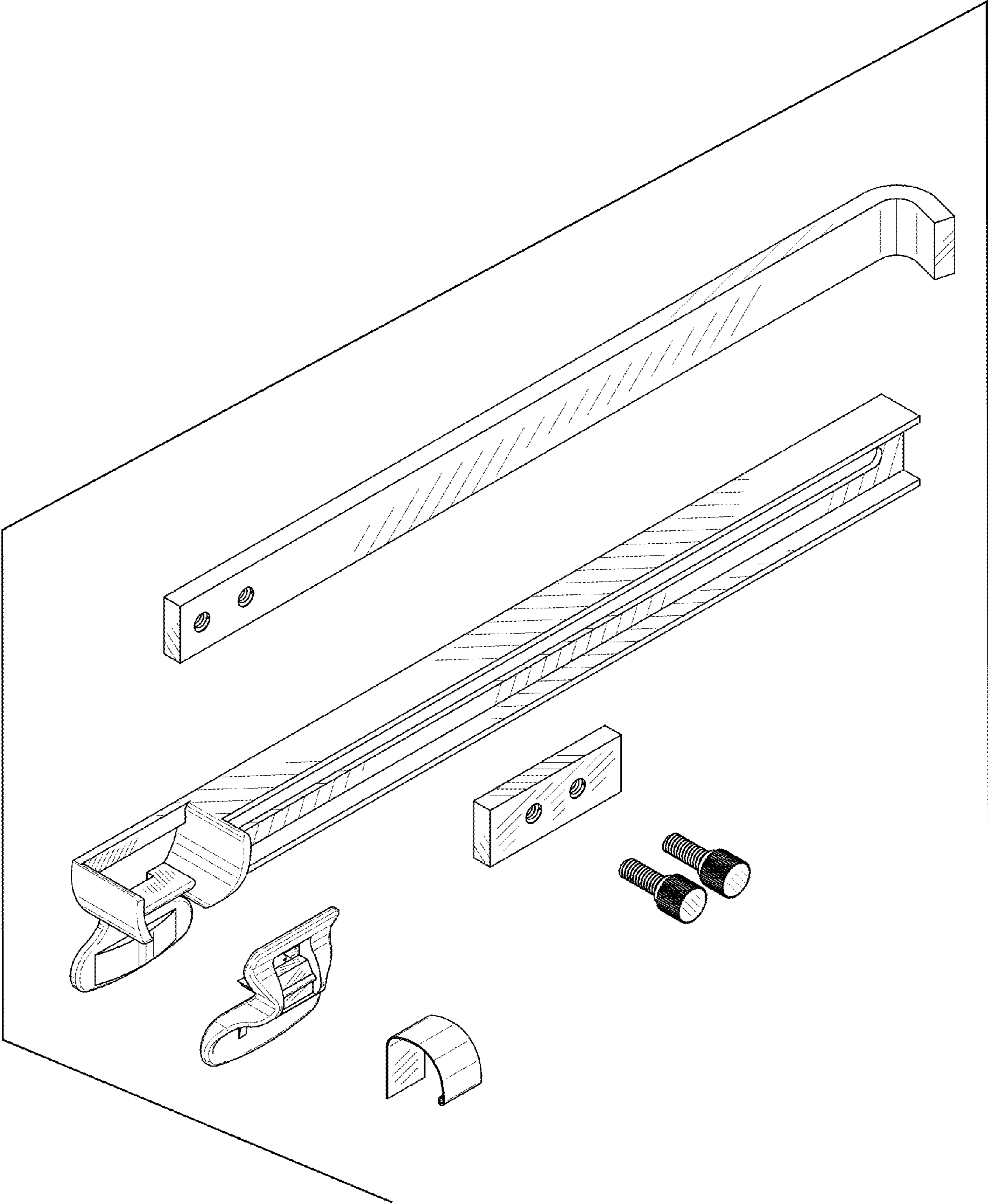


FIG. 1

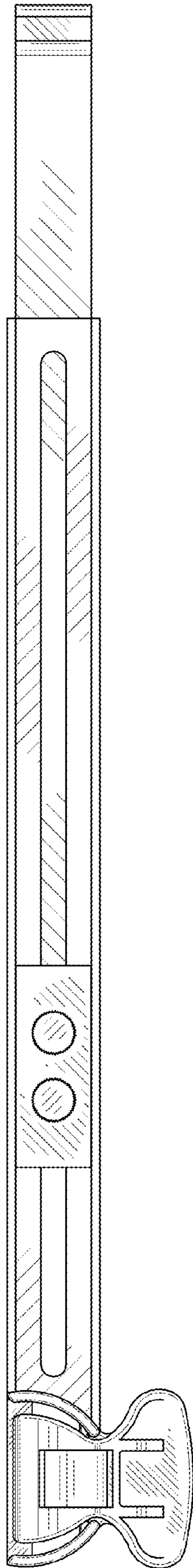


FIG. 2

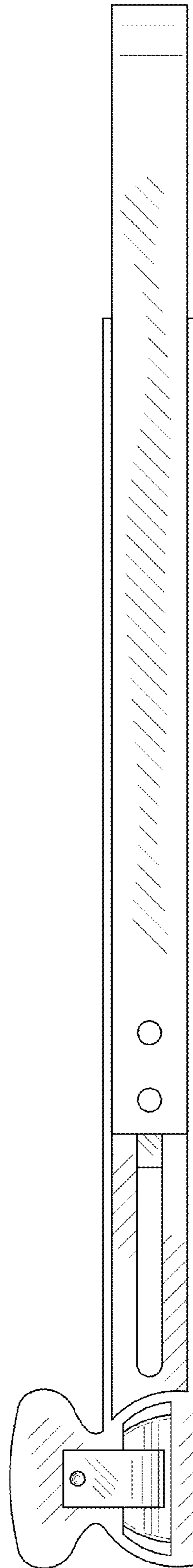


FIG. 3

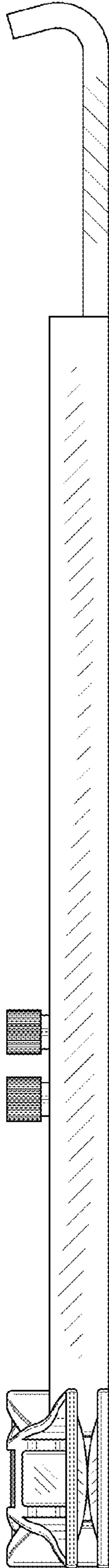


FIG. 4

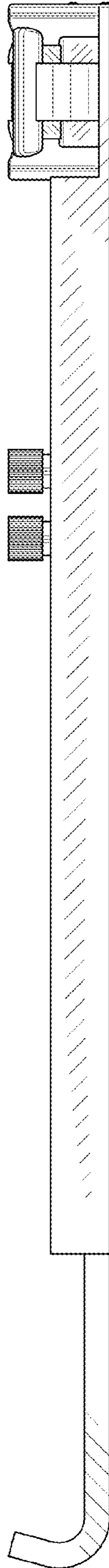


FIG. 5



FIG. 6

FIG. 7