



US00D878586S

(12) **United States Design Patent**
Froni

(10) **Patent No.:** **US D878,586 S**
(45) **Date of Patent:** **** Mar. 17, 2020**

- (54) **BIOMEDICAL DEVICE**
- (71) Applicant: **G21 S.R.L.**, San Possidonio (MO) (IT)
- (72) Inventor: **Filippo Froni**, Mirandola (IT)
- (73) Assignee: **G21 S.R.L.**, San Possidonio (IT)
- (**) Term: **15 Years**
- (21) Appl. No.: **29/616,622**
- (22) Filed: **Sep. 7, 2017**
- (51) **LOC (12) Cl.** **24-02**
- (52) **U.S. Cl.**
USPC **D24/147**
- (58) **Field of Classification Search**
USPC D24/146, 147, 133, 137, 138, 145
CPC A61B 17/1671; A61B 17/1622; A61B
17/1617; A61B 17/1631; A61B 17/1642
See application file for complete search history.

D647,202 S	10/2011	Scifert	
D728,100 S	4/2015	Hasebe	
D771,813 S	11/2016	Ripich et al.	
D772,412 S	11/2016	Efinger et al.	
10,463,380 B2	11/2019	Purdy et al.	
2006/0129238 A1	6/2006	Paltzer	
2011/0238099 A1*	9/2011	Loreth	A61B 17/1615 606/170
2016/0228131 A1*	8/2016	Brockman	A61B 17/1671
2016/0287264 A1	10/2016	Chegini et al.	
2018/0042618 A1*	2/2018	Victor	A61B 17/1615
2018/0084985 A1	3/2018	Saw et al.	
2019/0223930 A1*	7/2019	Nolan	A61B 17/1622
2019/0269420 A1*	9/2019	Matusaitis	A61B 5/4504
2019/0328406 A1*	10/2019	Lu	A61B 17/1671

* cited by examiner

Primary Examiner — Eliza Z Bennett-Hattan
(74) *Attorney, Agent, or Firm* — Pearne & Gordon LLP

(57) **CLAIM**

The ornamental design for a biomedical device, as shown and described.

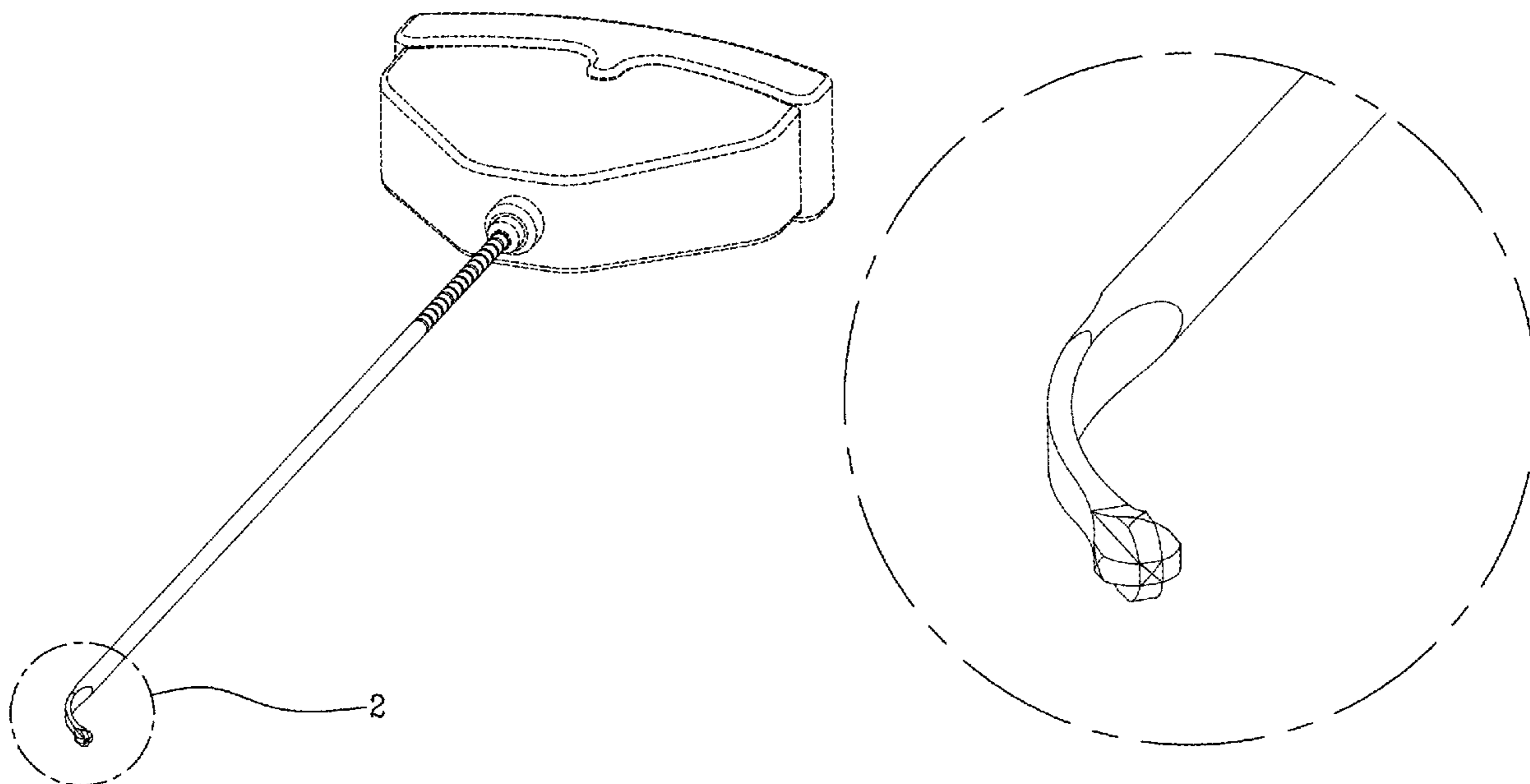
DESCRIPTION

FIG. 1 is a front-top-left side perspective view of a biomedical device, showing my new design;
FIG. 2 is an enlarged view of portion 2 of FIG. 1;
FIG. 3 is another perspective view of the portion of FIG. 2;
FIG. 4 is a top plan view of the biomedical device of FIG. 1;
FIG. 5 is a left side elevational view thereof;
FIG. 6 is a right side elevational view thereof; and,
FIG. 7 is a front elevational view thereof.
The broken lines in the drawings represent unclaimed subject matter and form no part of the claimed design.

1 Claim, 7 Drawing Sheets

(56) **References Cited**
U.S. PATENT DOCUMENTS

D289,198 S	*	4/1987	Karten	D24/114
4,706,659 A	*	11/1987	Matthews	A61B 17/164 464/173
D358,645 S		5/1995	Ryan et al.		
5,474,558 A	*	12/1995	Neubardt	A61B 17/8875 600/554
D402,029 S		12/1998	Shinabarger		
5,980,522 A	*	11/1999	Koros	A61F 2/4455 606/60
D420,133 S	*	2/2000	Huttner	D24/147
D436,664 S	*	1/2001	Lamoureux	D24/146
D439,980 S	*	4/2001	Reiley	D24/147
D449,691 S		10/2001	Reiley et al.		
D489,456 S		5/2004	Groenke et al.		



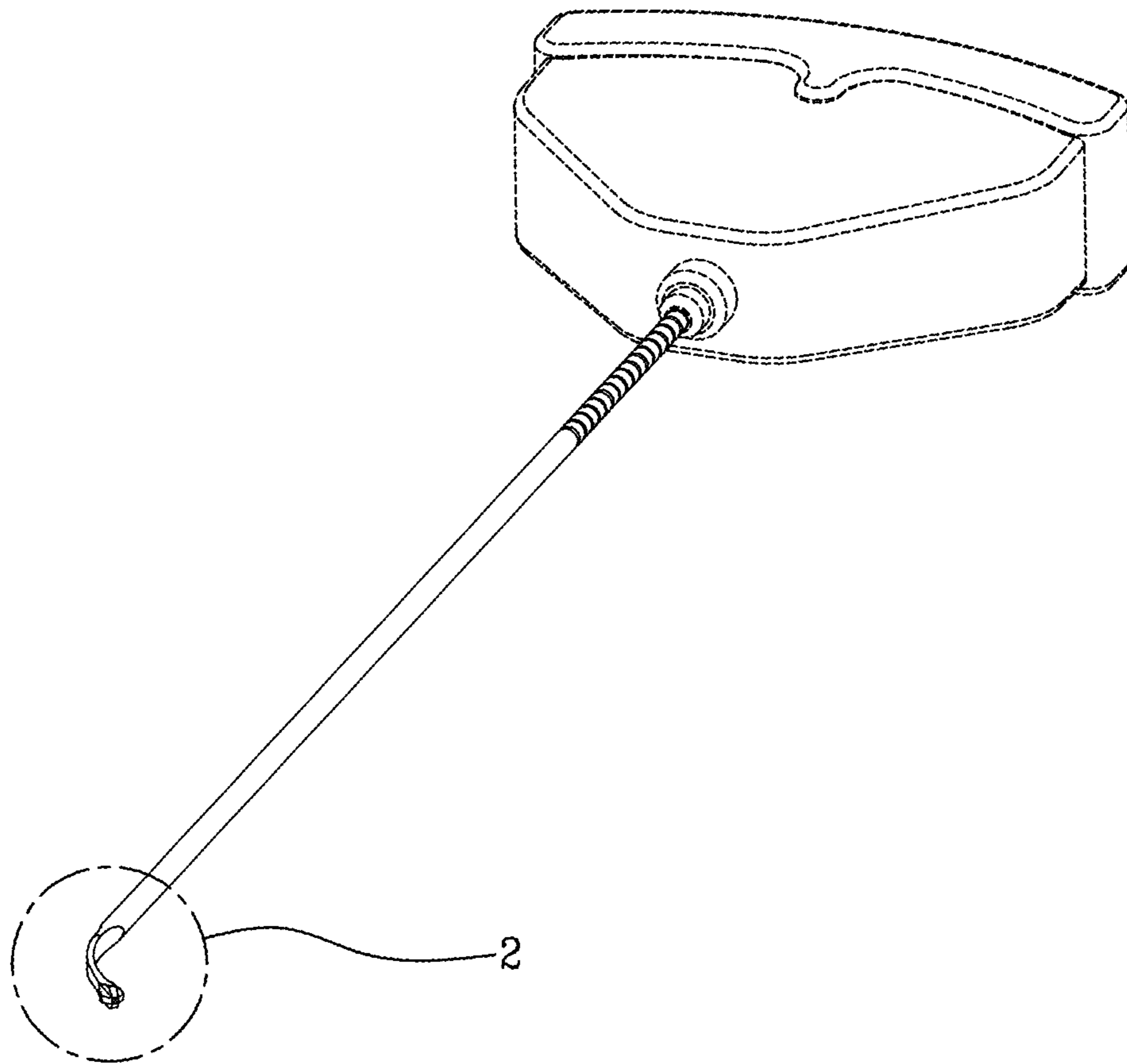


Fig.1

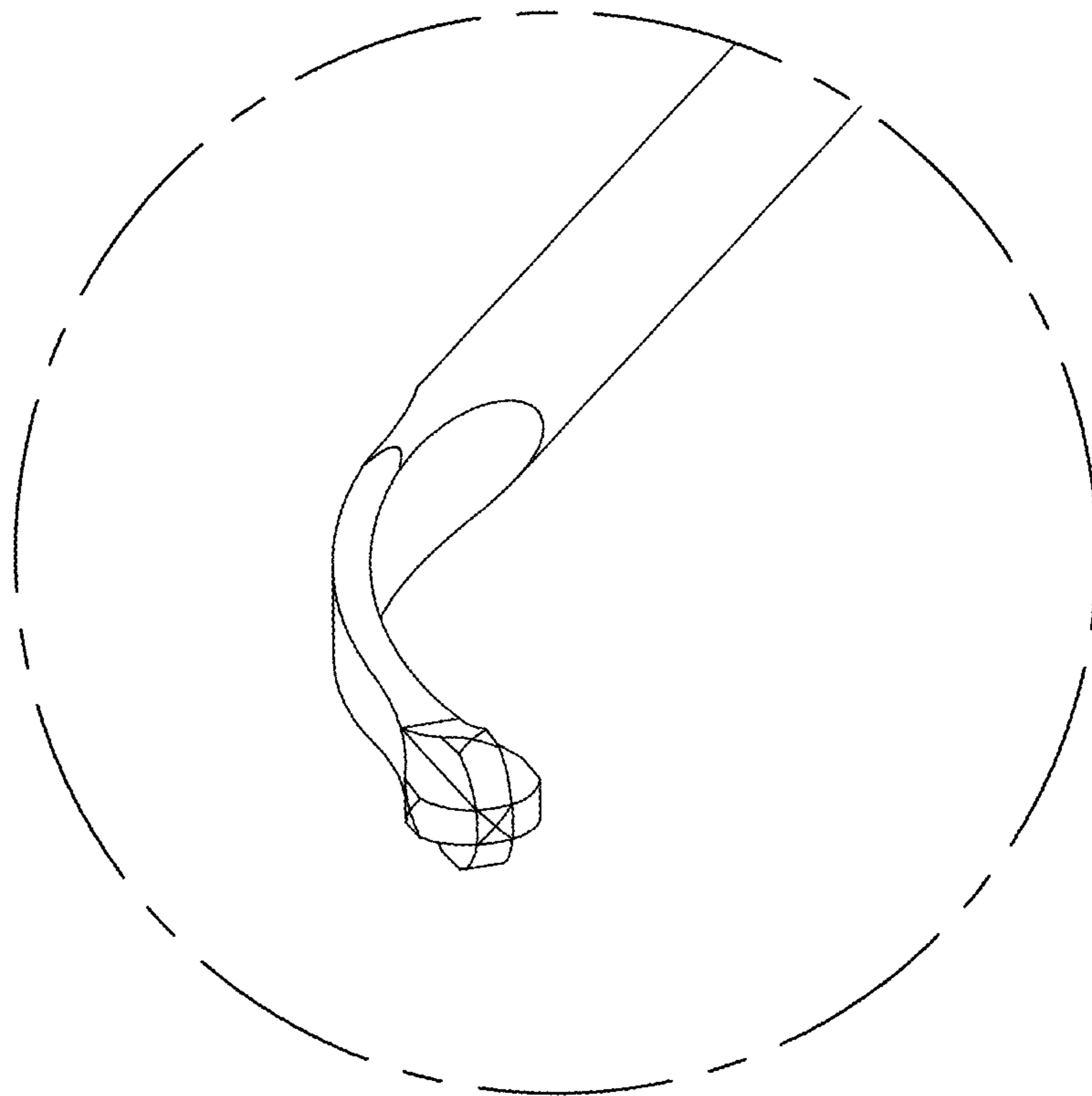


Fig.2

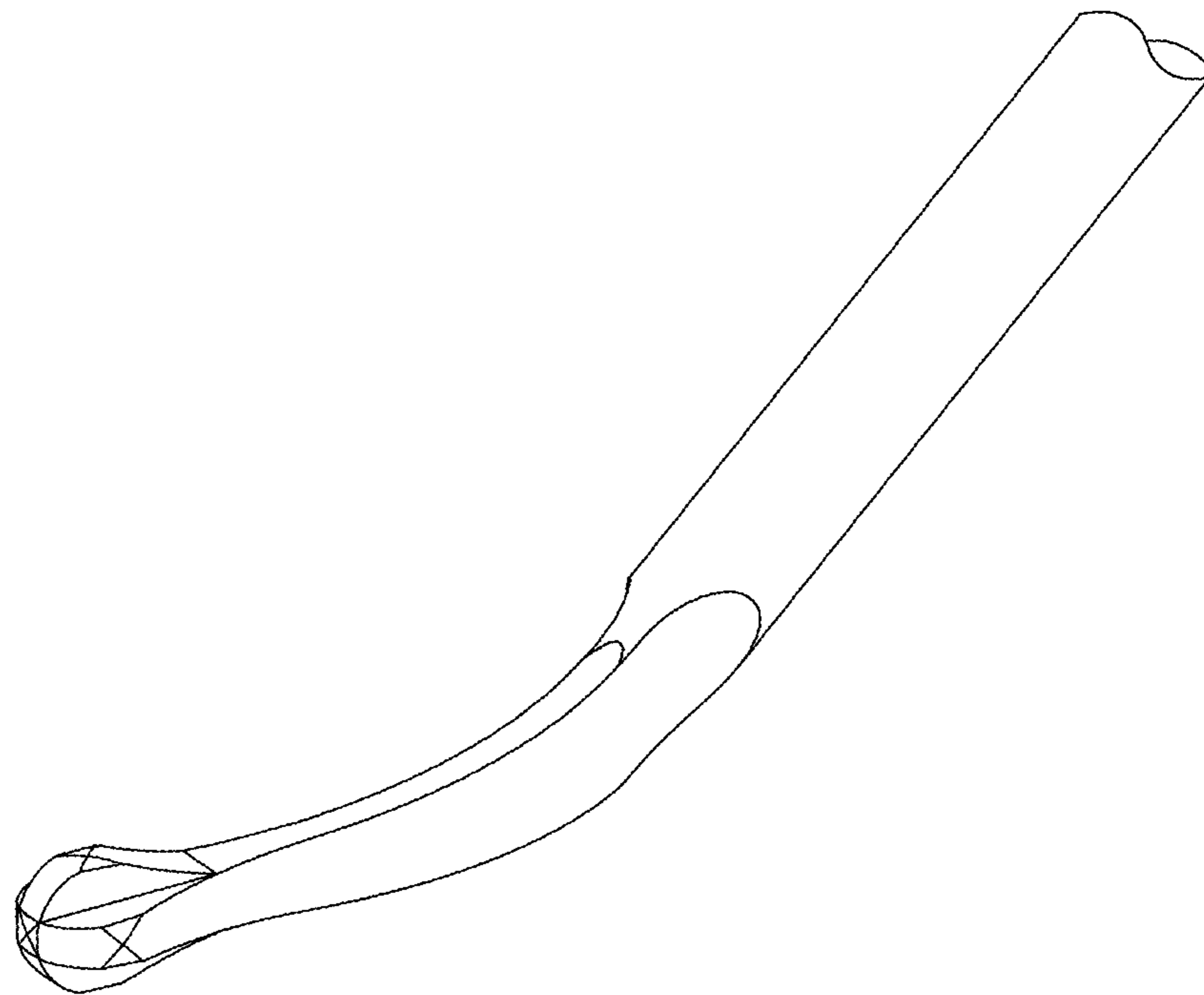


Fig.3

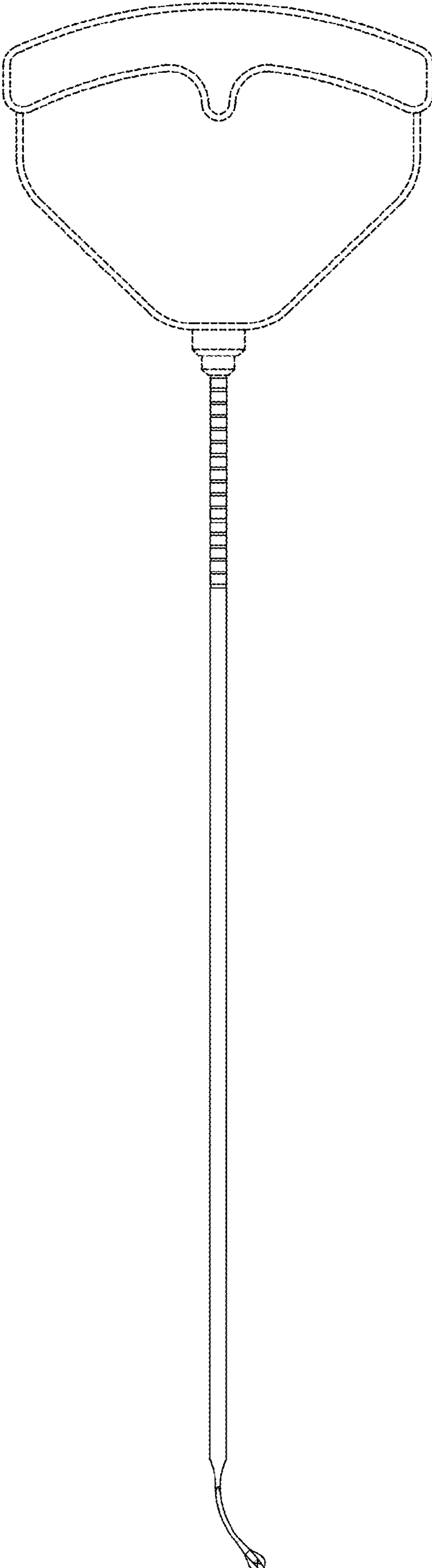


Fig.4

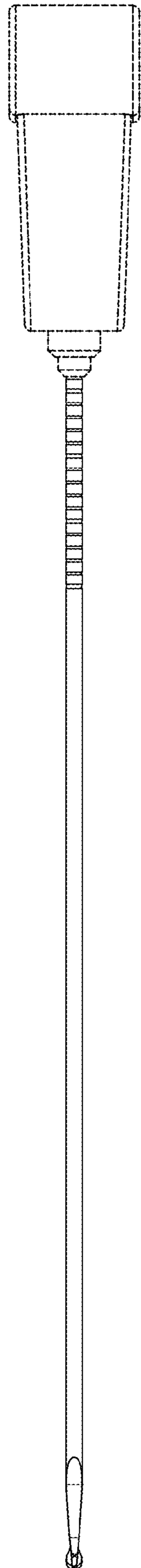


Fig. 5

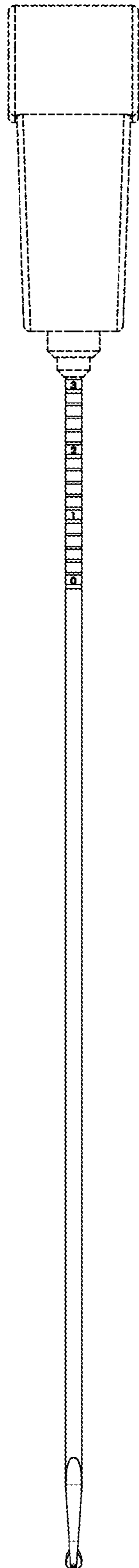


Fig.6

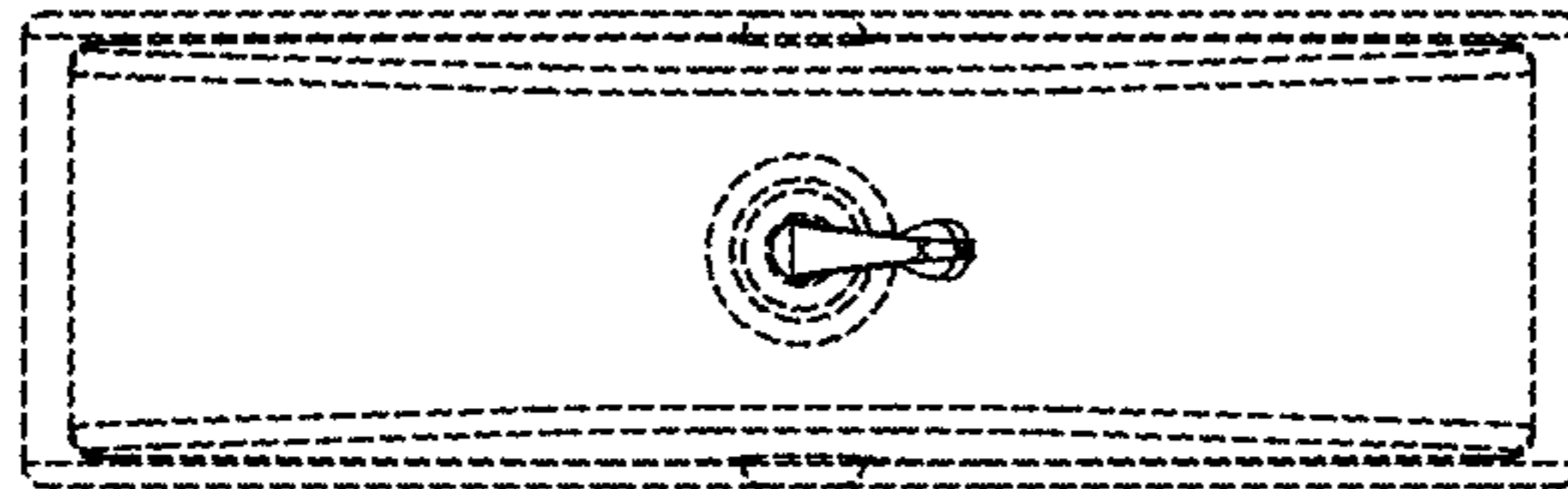


Fig. 7