



US00D878584S

(12) **United States Design Patent**
Canady et al.

(10) **Patent No.:** **US D878,584 S**
(45) **Date of Patent:** **** Mar. 17, 2020**

(54) **ROBOTIC SURGICAL SYSTEM HANDPIECE**

D620,593 S 7/2010 Tran
8,298,232 B2 * 10/2012 Unger A61B 18/1445
606/51

(71) Applicant: **U.S. Patent Innovations LLC**, Takoma Park, MD (US)

D743,547 S 11/2015 Chang
(Continued)

(72) Inventors: **Jerome Canady**, Lakeland, FL (US);
Megan O'Connell, Silver Spring, MD (US); **Feng Yan**, Fairfax, VA (US);
Zhangshi Liu, Silver Spring, MD (US);
Aditya Shanghavi, Silver Spring, MD (US)

FOREIGN PATENT DOCUMENTS

CN 302406095 * 4/2013
CN 304573231 * 4/2018

Primary Examiner — Susan Bennett Hattan

Assistant Examiner — Lauren D McVey

(73) Assignee: **U.S. Patent Innovations, LLC**, Takoma Park, MD (US)

(74) *Attorney, Agent, or Firm* — 24IP Law Group USA, PLLC; Timothy DeWitt

(**) Term: **15 Years**

(57) **CLAIM**

The ornamental design for a robotic surgical system handpiece, as shown and described.

(21) Appl. No.: **29/644,182**

DESCRIPTION

(22) Filed: **Apr. 16, 2018**

(51) **LOC (12) Cl.** **24-02**

(52) **U.S. Cl.**
USPC **D24/144**

(58) **Field of Classification Search**
USPC D24/144, 133, 137, 138, 147
CPC A61B 34/35; A61B 34/32; A61B 34/37;
A61B 34/70; A61B 34/72; A61B
2034/742

FIG. 1 is a perspective view of the robotic surgical system handpiece;
FIG. 2 is a left side view of the robotic surgical system handpiece;
FIG. 3 is a right side view of the robotic surgical system handpiece;
FIG. 4 is a rear view of the robotic surgical system handpiece;
FIG. 5 is a front view of the robotic surgical system handpiece;
FIG. 6 is a top view of the robotic surgical system handpiece; and,
FIG. 7 is a bottom view of the robotic surgical system handpiece.

See application file for complete search history.

The wire frame lines shown throughout the views indicate surface contour.

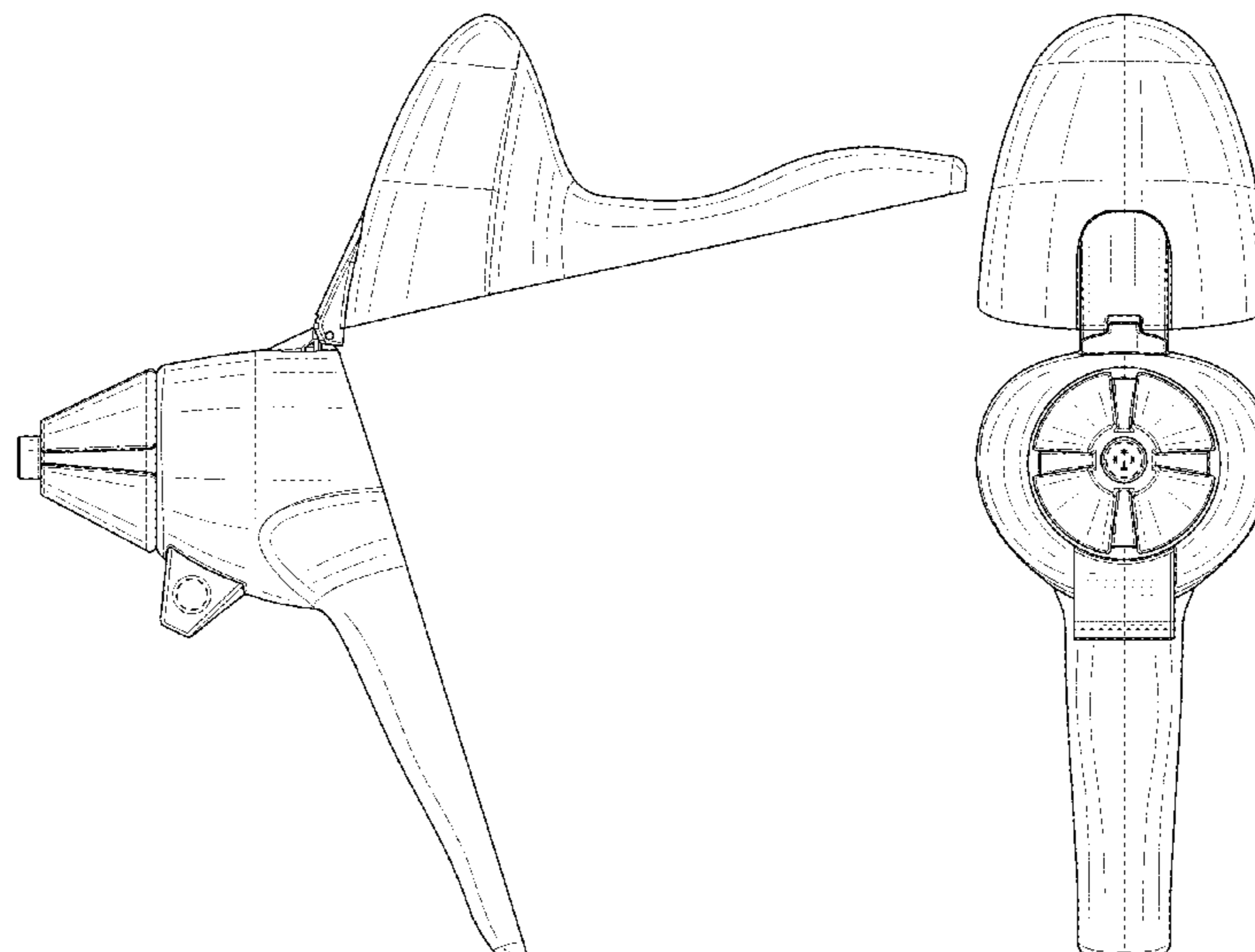
The broken lines immediately adjacent the claim depict the bounds of the claimed design while all other broken lines are directed to environment. The broken lines form no part of the claimed design.

(56) **References Cited**

U.S. PATENT DOCUMENTS

D332,660 S 1/1993 Rawson
D354,564 S 1/1995 Medema
D457,958 S 5/2002 Dycus
D494,672 S * 8/2004 Wang D24/108
D499,181 S 11/2004 Dycus
D575,401 S 8/2008 Hixson
D594,968 S * 6/2009 Sebban D24/108
7,540,872 B2 * 6/2009 Schechter A61B 18/1445
606/50
D606,654 S 12/2009 Tran

1 Claim, 7 Drawing Sheets



(56)

References Cited

U.S. PATENT DOCUMENTS

D744,100	S	11/2015	Chang	
D748,260	S	1/2016	Chang	
D798,449	S	9/2017	Canady et al.	
D808,076	S *	1/2018	Gabriele D28/44.1
10,098,689	B2 *	10/2018	Soni A61B 18/1442
10,111,665	B2 *	10/2018	Aranyi A61B 17/07207
10,163,589	B2 *	12/2018	Zergiebel A61B 90/90
D843,656	S *	3/2019	Zhang D28/44.1
D844,138	S *	3/2019	Soni A61B 17/2909
				D24/144
D844,896	S *	4/2019	Levi D28/44.1
2012/0172924	A1 *	7/2012	Allen, IV A61B 17/29
				606/205
2014/0142471	A1 *	5/2014	Chambon A61B 18/203
				601/18

* cited by examiner

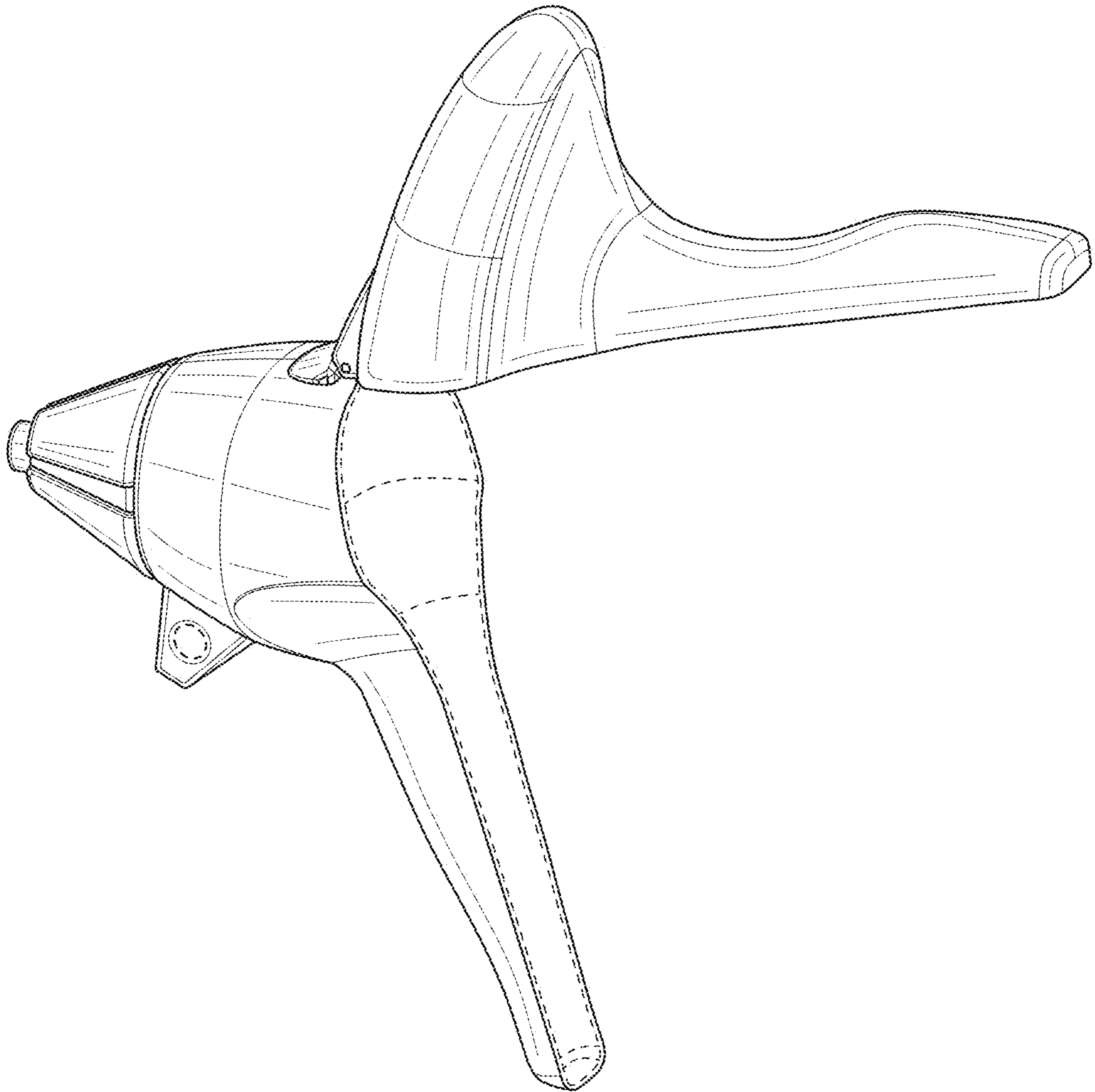


FIG. 1

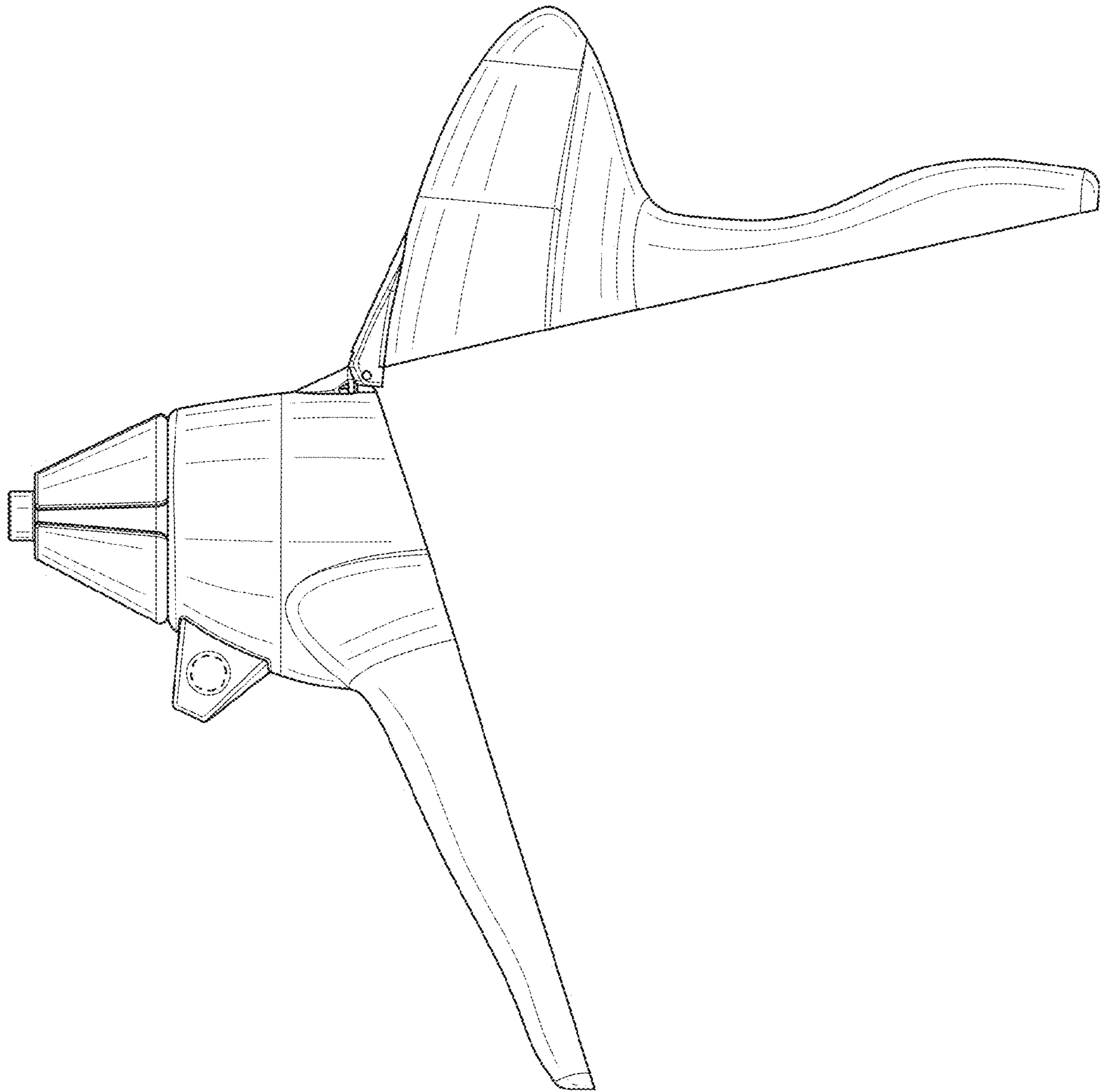


FIG. 2

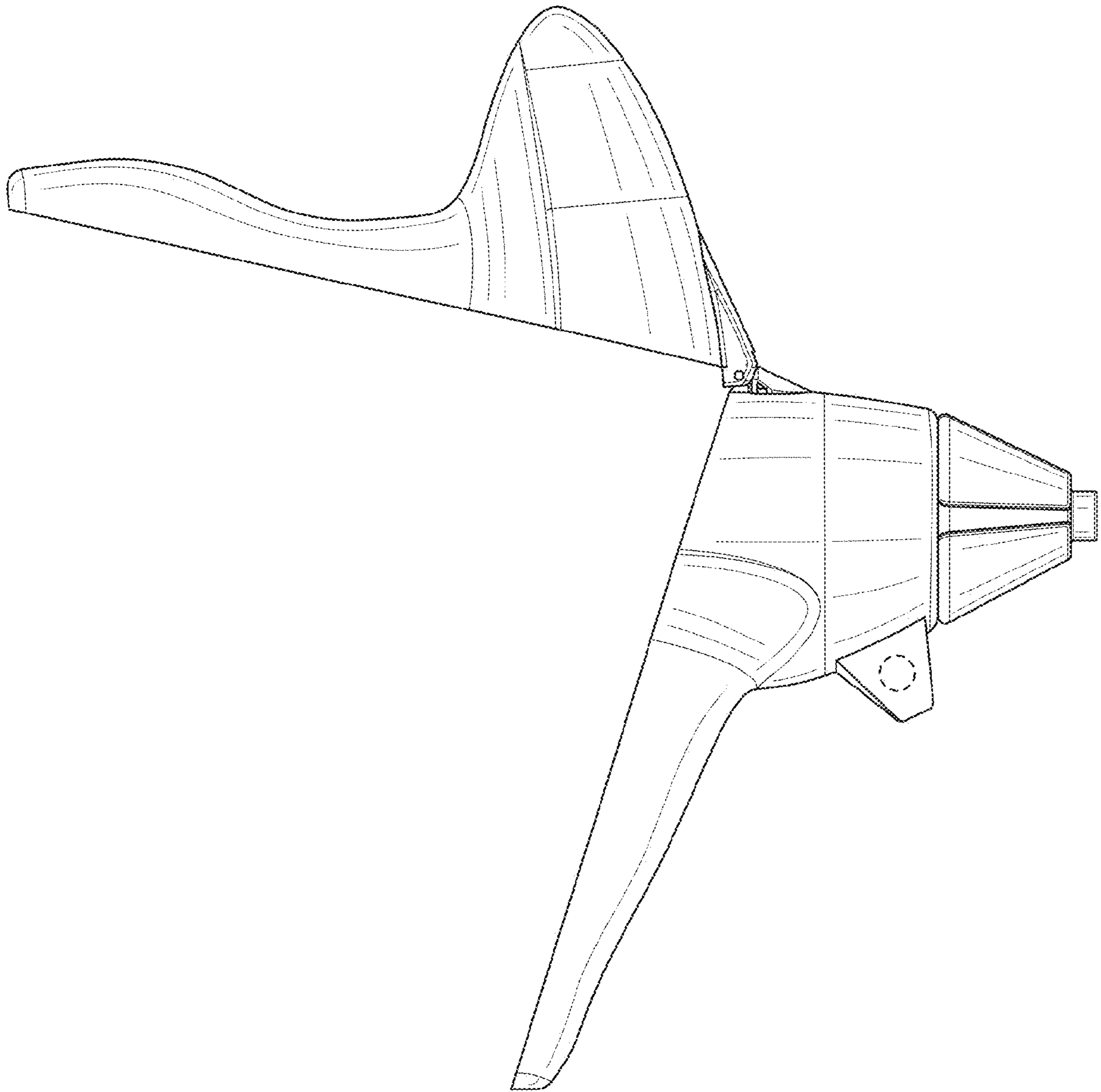


FIG. 3

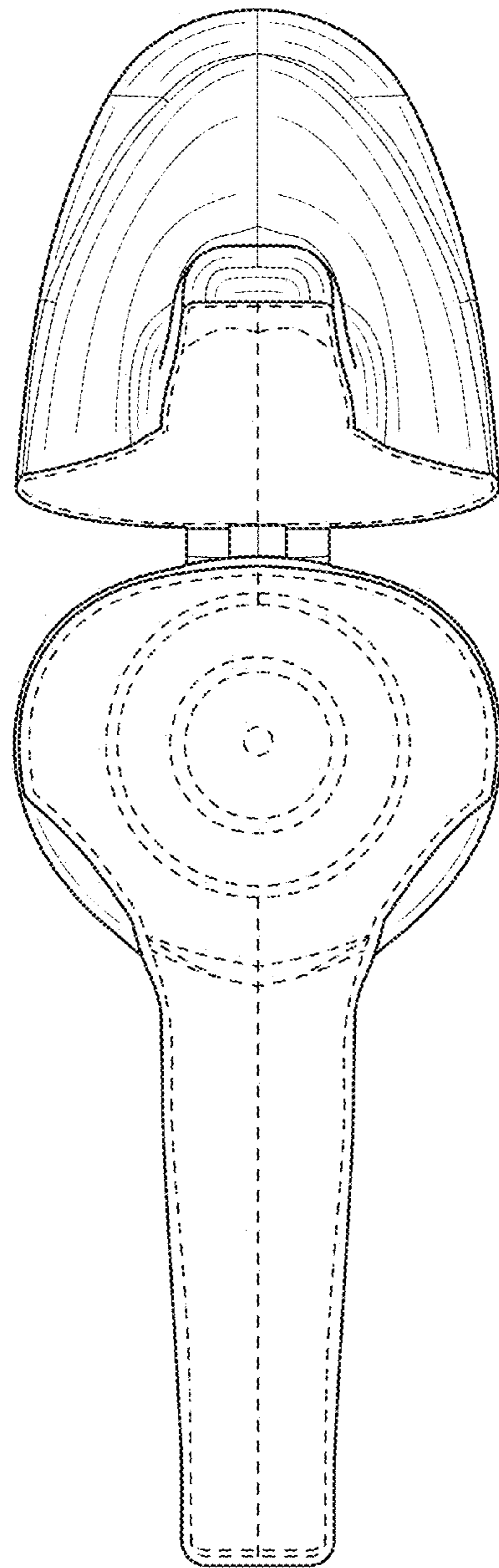


FIG. 4

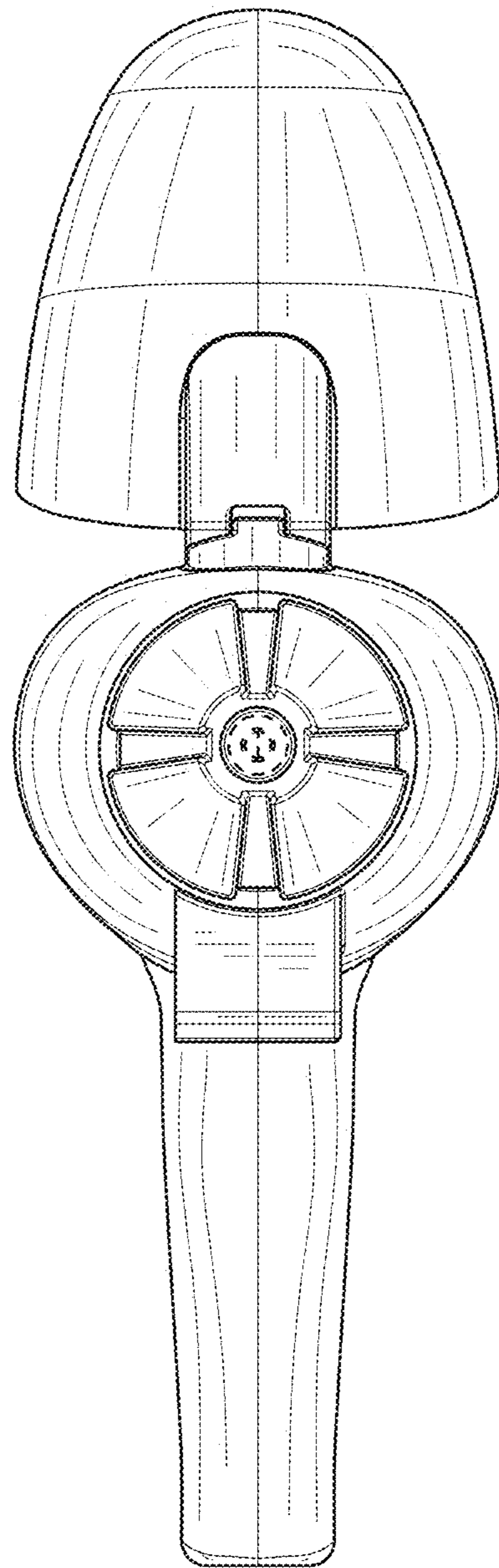


FIG. 5

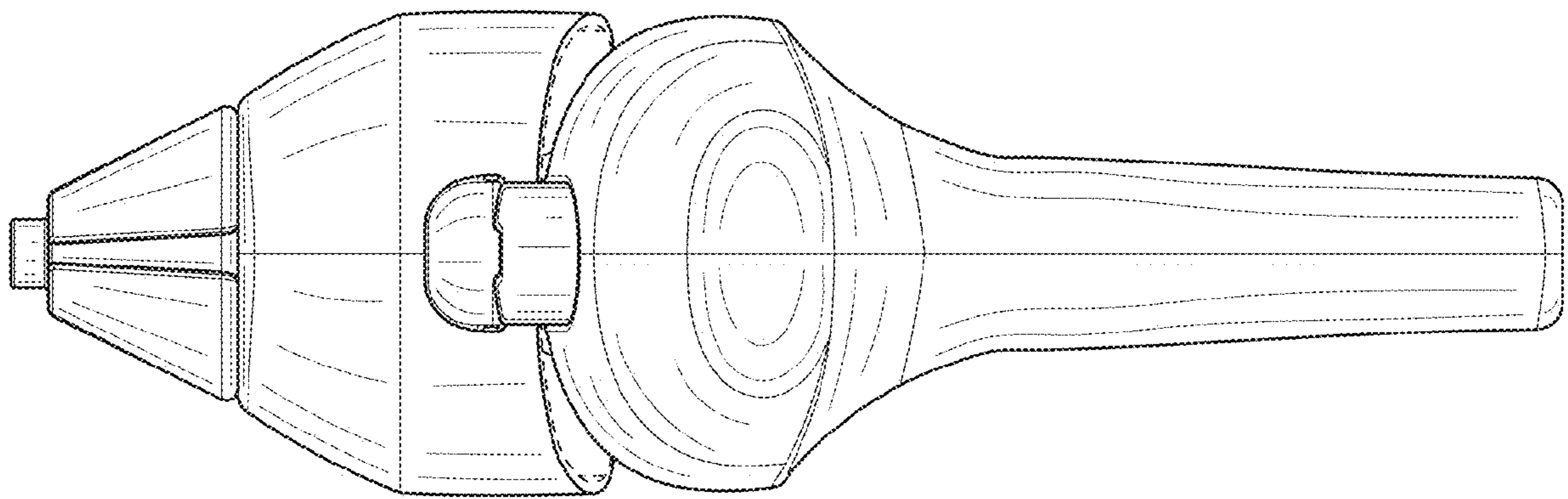


FIG. 6

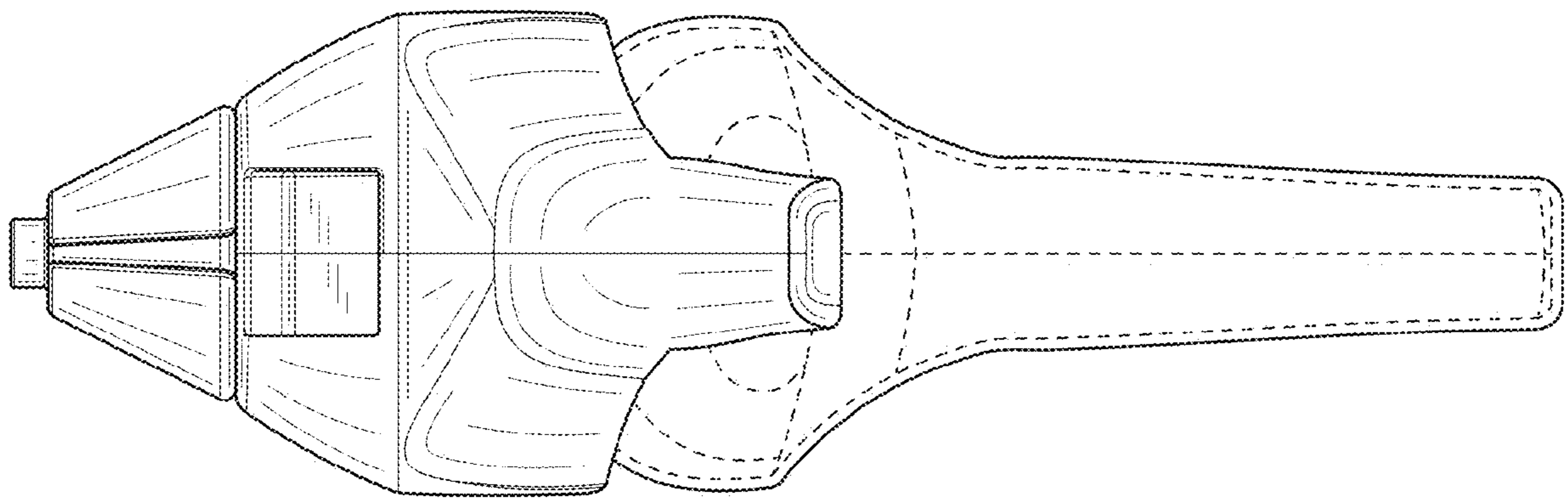


FIG. 7