



US00D878582S

(12) **United States Design Patent**  
**Nickolas et al.**

(10) **Patent No.:** **US D878,582 S**  
(45) **Date of Patent:** **\*\* Mar. 17, 2020**

(54) **TROCHLEA-ANGLE MEASUREMENT  
TEMPLATE**

(71) Applicant: **Allosource**, Centennial, CO (US)

(72) Inventors: **Brittany Nickolas**, Highlands Ranch,  
CO (US); **Christopher Mast**, Denver,  
CO (US); **Todd Huft**, Highlands Ranch,  
CO (US); **Meghan Gabriel**, Denver,  
CO (US)

(73) Assignee: **Allosource**, Centennial, CO (US)

(\*\*) Term: **15 Years**

(21) Appl. No.: **29/637,987**

(22) Filed: **Feb. 23, 2018**

**Related U.S. Application Data**

(63) Continuation-in-part of application No. 14/944,457,  
filed on Nov. 18, 2015, now Pat. No. 10,052,046.

(51) **LOC (12) Cl.** ..... **24-02**

(52) **U.S. Cl.**  
USPC ..... **D24/140**

(58) **Field of Classification Search**  
USPC ..... D24/135, 133, 140  
CPC ..... A61B 5/1071; A61B 2090/067; A61F  
2/4657; A61F 2/3877; A61F 2002/4668  
See application file for complete search history.

(56) **References Cited**

**U.S. PATENT DOCUMENTS**

4,097,999 A \* 7/1978 Nowlin ..... G01B 3/56  
33/500  
D322,125 S \* 12/1991 Dorsey ..... D10/65  
5,133,135 A \* 7/1992 Durfee, Jr. .... G01B 5/245  
33/427  
D348,618 S \* 7/1994 Leslie ..... D10/64

D379,657 S \* 6/1997 Pretel ..... D10/65  
D430,296 S \* 8/2000 Pretel ..... D24/140  
6,361,506 B1 3/2002 Saenger  
7,069,665 B1 \* 7/2006 Adriano ..... A43B 7/142  
33/3 R  
7,172,562 B2 2/2007 McKinley  
D552,735 S \* 10/2007 Archambault ..... D24/140  
7,458,977 B2 12/2008 McGinley  
D634,009 S \* 3/2011 Lam ..... D24/140  
D664,655 S \* 7/2012 Daniel ..... D24/140  
8,864,689 B2 10/2014 Pellis  
8,945,131 B2 2/2015 Vanasse  
D725,268 S \* 3/2015 Gantes ..... D10/64  
9,050,049 B2 6/2015 Ryan  
9,398,797 B2 7/2016 Li  
9,730,616 B2 8/2017 Hershberger  
D806,587 S \* 1/2018 Fishburne, Jr. .... D10/64  
10,052,046 B2 \* 8/2018 Nickolas ..... A61B 5/1071  
2016/0220149 A1 \* 8/2016 Nickolas ..... A61B 5/1071

\* cited by examiner

*Primary Examiner* — Bridget L Eland

(74) *Attorney, Agent, or Firm* — James A. Sheridan;  
Sheridan Law, LLC

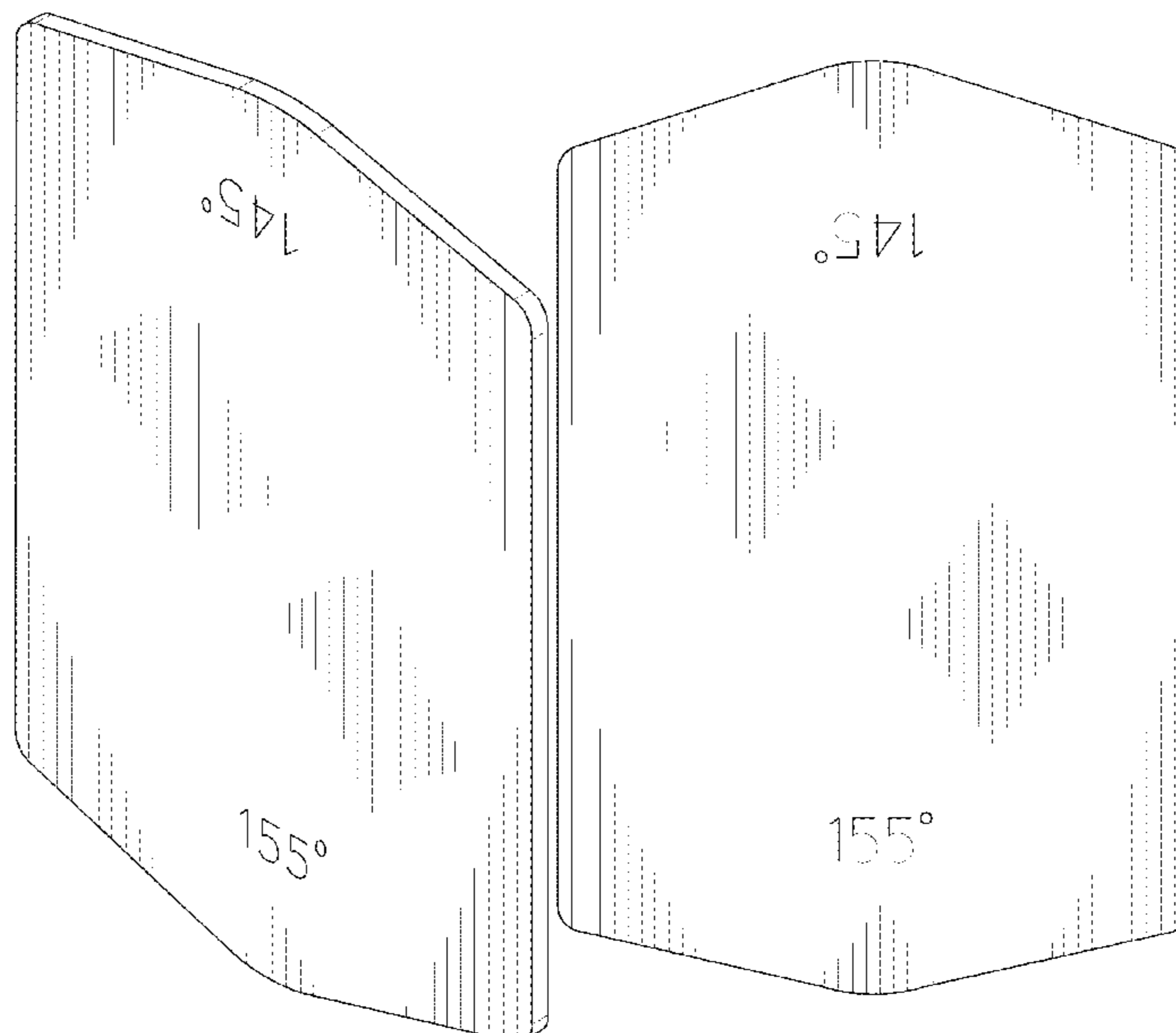
(57) **CLAIM**

We claim the ornamental design for a trochlea-angle mea-  
surement template, as shown and described.

**DESCRIPTION**

FIG. 1 is a perspective view of a trochlea-angle measure-  
ment template, showing our new design;  
FIG. 2 is a top plan view thereof, and the other side is a  
mirror image;  
FIG. 3 is a left side elevational view thereof, and the other  
side is a mirror image;  
FIG. 4 is a front elevational view thereof; and,  
FIG. 5 is a rear elevational view thereof.  
The broken lines are included for illustrative purposes only  
and form no part of the claimed design.

**1 Claim, 4 Drawing Sheets**



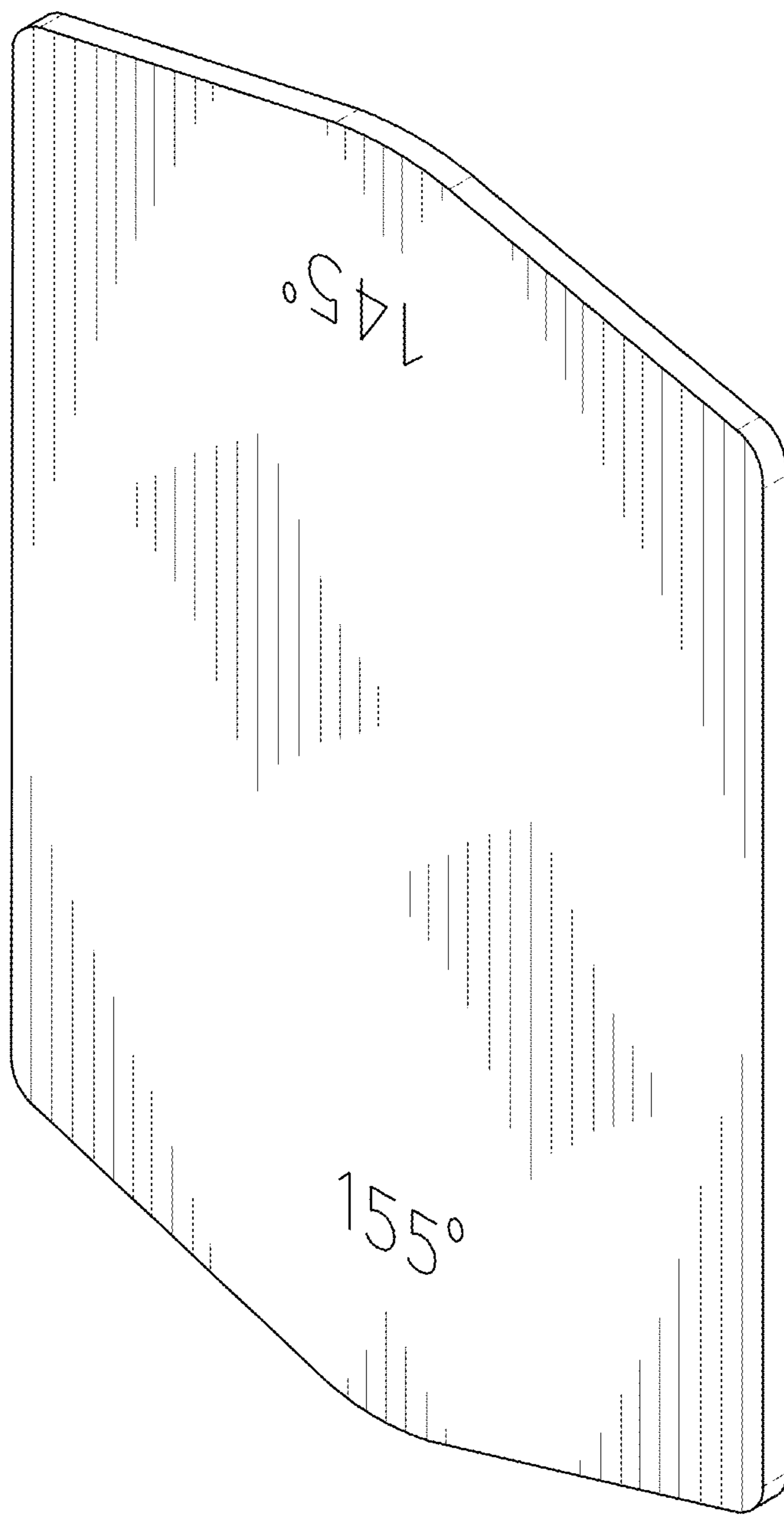


FIG. 1

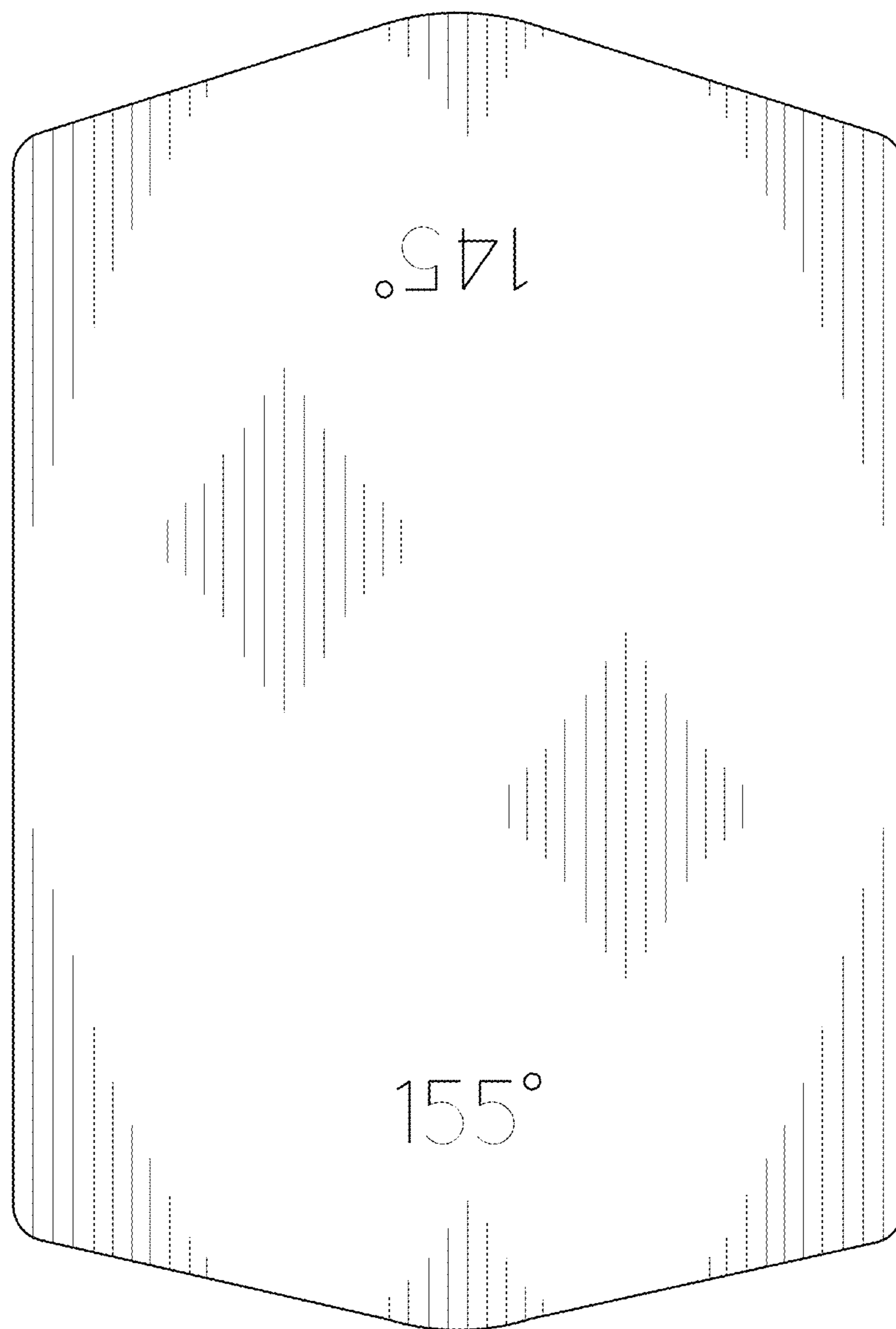


FIG. 2

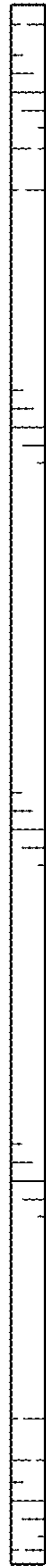


FIG. 3

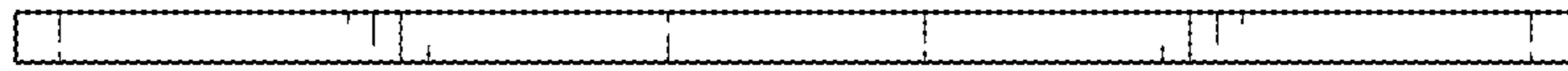


FIG. 4

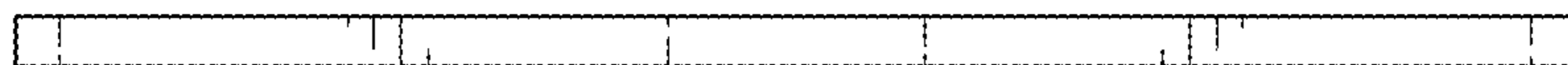


FIG. 5