

US00D878578S

(12) **United States Design Patent**
Onuma

(10) **Patent No.:** **US D878,578 S**
(45) **Date of Patent:** **** Mar. 17, 2020**

(54) **ENDOSCOPE PROCESSOR**

(71) Applicant: **HOYA CORPORATION**, Tokyo (JP)

(72) Inventor: **Koki Onuma**, Tokyo (JP)

(73) Assignee: **HOYA CORPORATION** (JP)

(**) Term: **15 Years**

(21) Appl. No.: **29/663,001**

(22) Filed: **Sep. 11, 2018**

(30) **Foreign Application Priority Data**

Mar. 16, 2018 (JP) 2018-005583

(51) **LOC (12) Cl.** **24-02**

(52) **U.S. Cl.**
USPC **D24/138**

(58) **Field of Classification Search**
USPC D24/133, 137, 138
CPC A61B 1/00; A61B 1/00137; A61B 1/005;
A61B 1/00014; A61B 1/0676; A61B
1/0669; A61B 1/00121; A61B 1/00133;
A61B 1/00071; A61B 1/00064; A61B
1/00068; A61B 1/00112; A61B 1/0125;
A61B 17/3478

See application file for complete search history.

(56) **References Cited**

U.S. PATENT DOCUMENTS

D537,163 S * 2/2007 Nakamura D24/107
D564,094 S * 3/2008 Hayashi D24/107

D670,806 S * 11/2012 Hayamizu D24/138
D789,533 S * 6/2017 Tanaka D24/138
D792,970 S * 7/2017 Shimobayashi D24/138
D793,554 S * 8/2017 Shimobayashi D24/138
D794,189 S * 8/2017 Sakai D24/138
D799,035 S * 10/2017 Shimobayashi D24/138
D832,433 S * 10/2018 Tanaka D24/138
D832,434 S * 10/2018 Tanaka D24/138
D832,435 S * 10/2018 Tanaka D24/138
D844,135 S * 3/2019 Tanaka D24/138
2015/0057500 A1 * 2/2015 Salman A61B 1/00006
600/132

* cited by examiner

Primary Examiner — Bridget L Eland

(74) *Attorney, Agent, or Firm* — James R. Gourley;
Carstens & Cahoon, LLP

(57) **CLAIM**

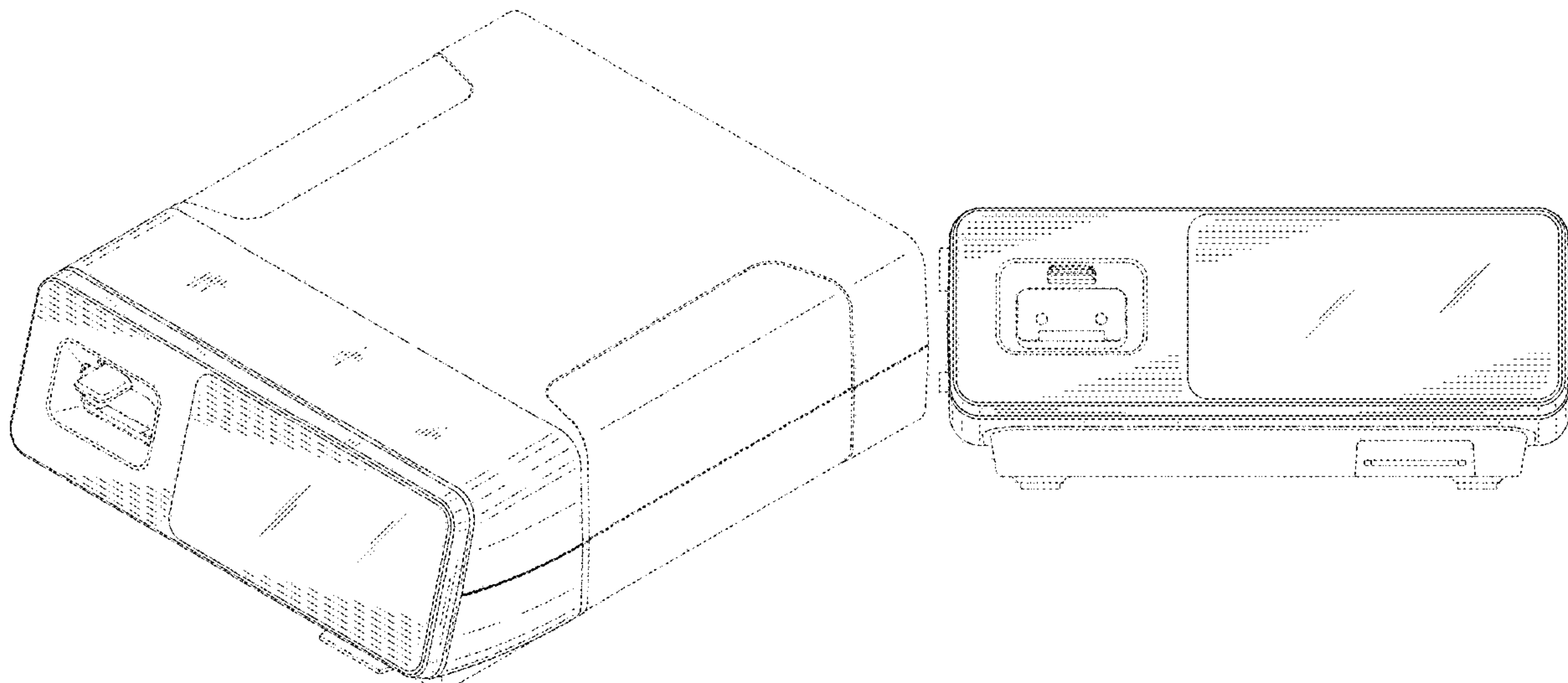
The ornamental design for an endoscope processor, as shown and described.

DESCRIPTION

FIG. 1 is a front, top and right side perspective view of an endoscope processor showing my new design;
FIG. 2 is a front view thereof;
FIG. 3 is a top plan view thereof;
FIG. 4 is a bottom plan view thereof;
FIG. 5 is a right side view thereof; and,
FIG. 6 is a left side view thereof.

The broken lines illustrate portions of the endoscope processor and form no part of the claimed design. The dash-dotted lines denote the boundary of the claim and form no part of the claimed design.

1 Claim, 6 Drawing Sheets



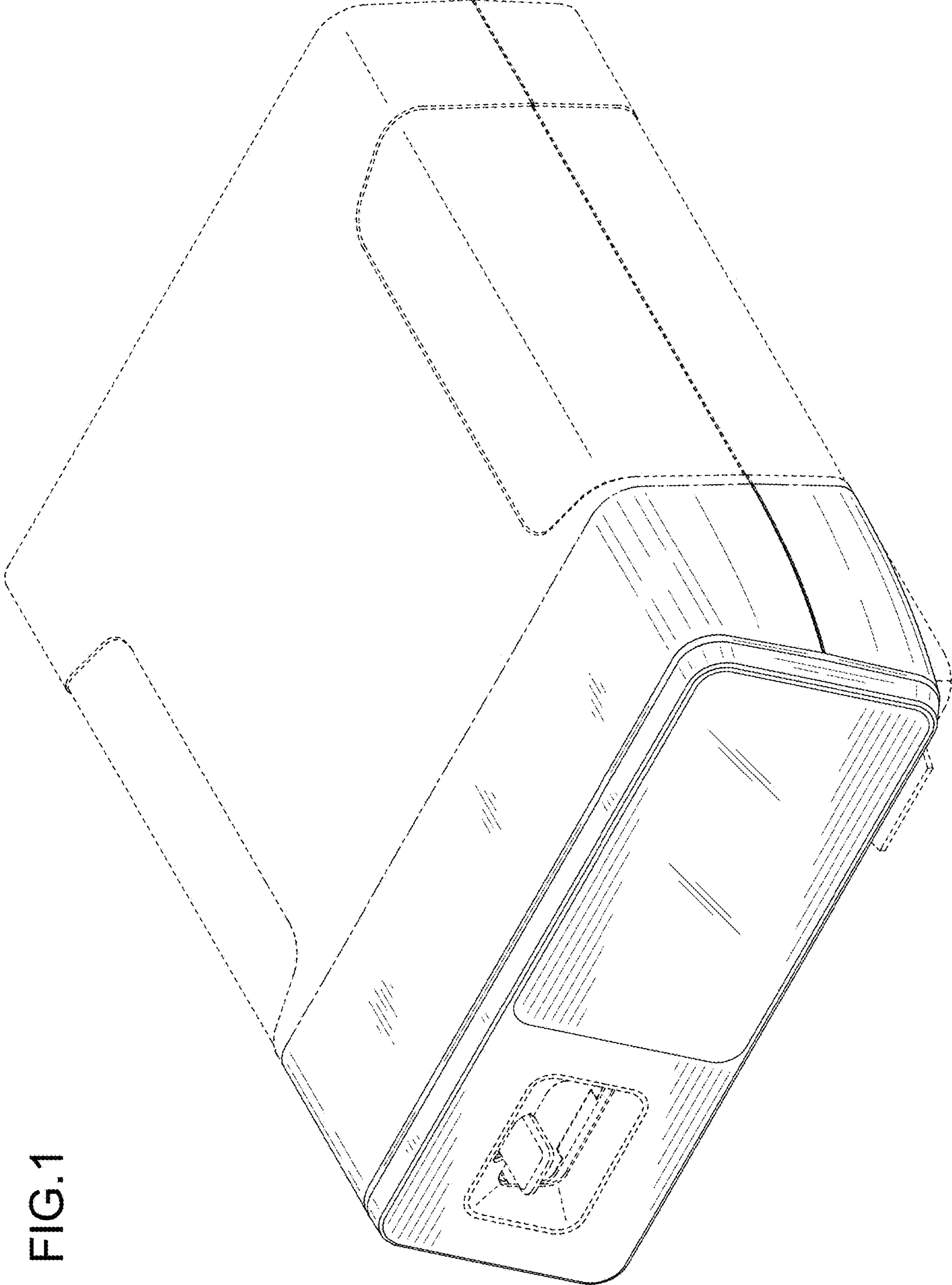


FIG.1

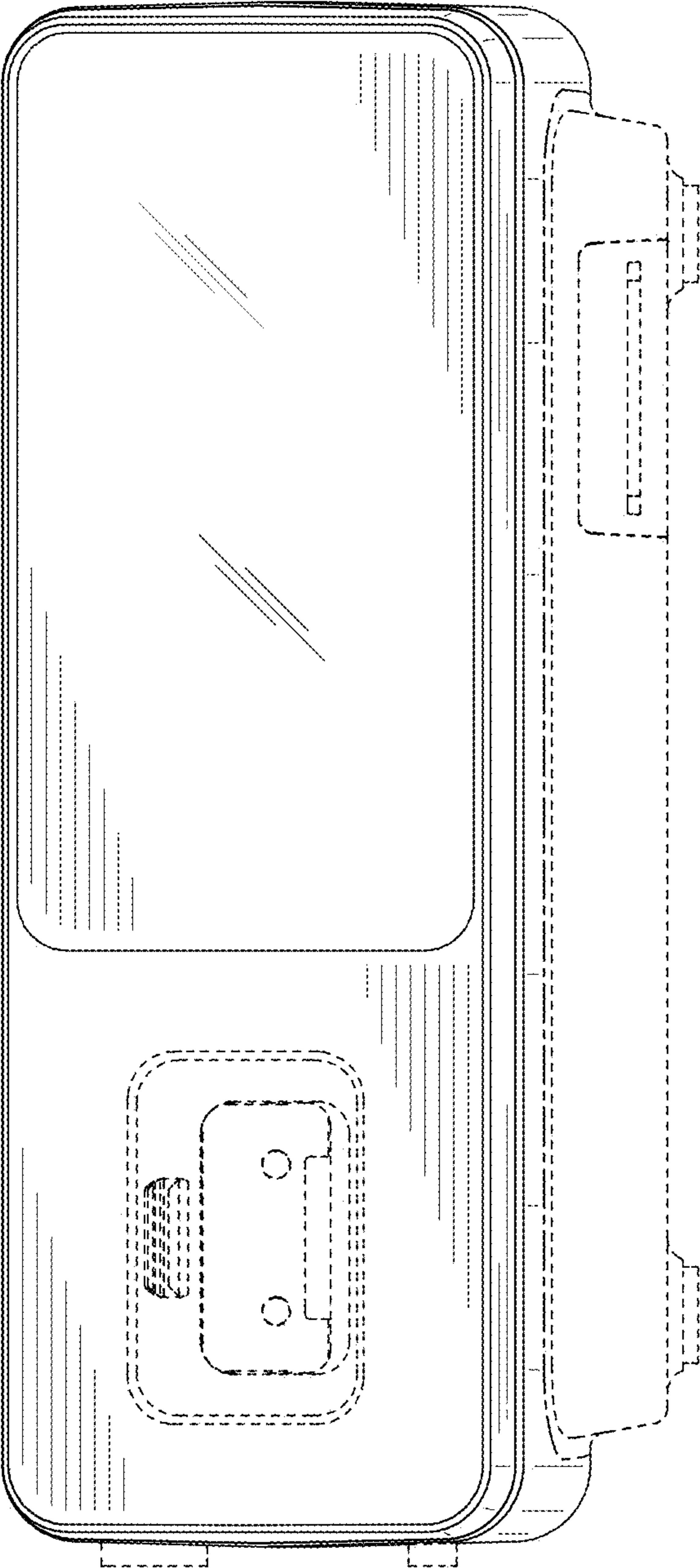


FIG.2

FIG.3

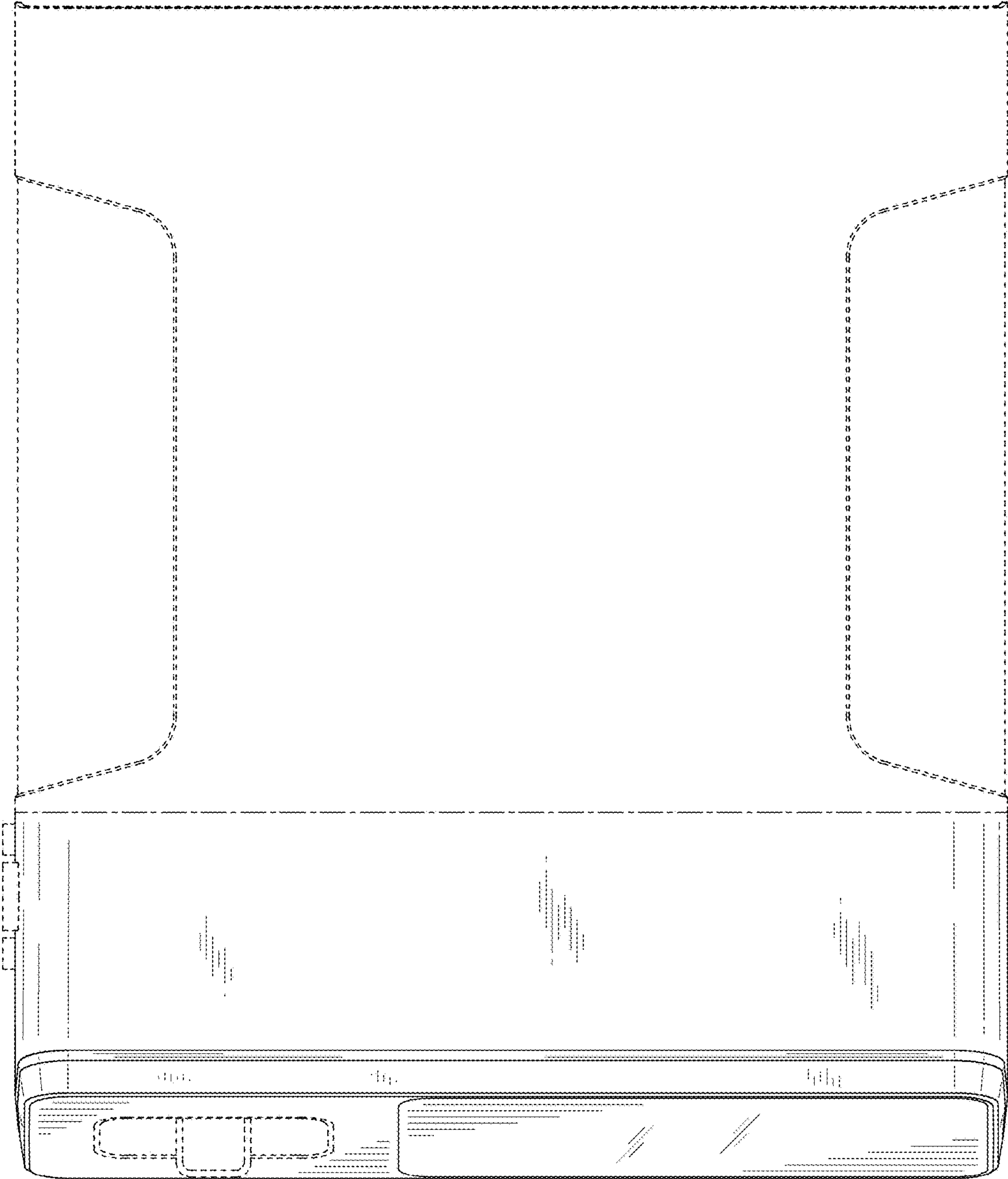
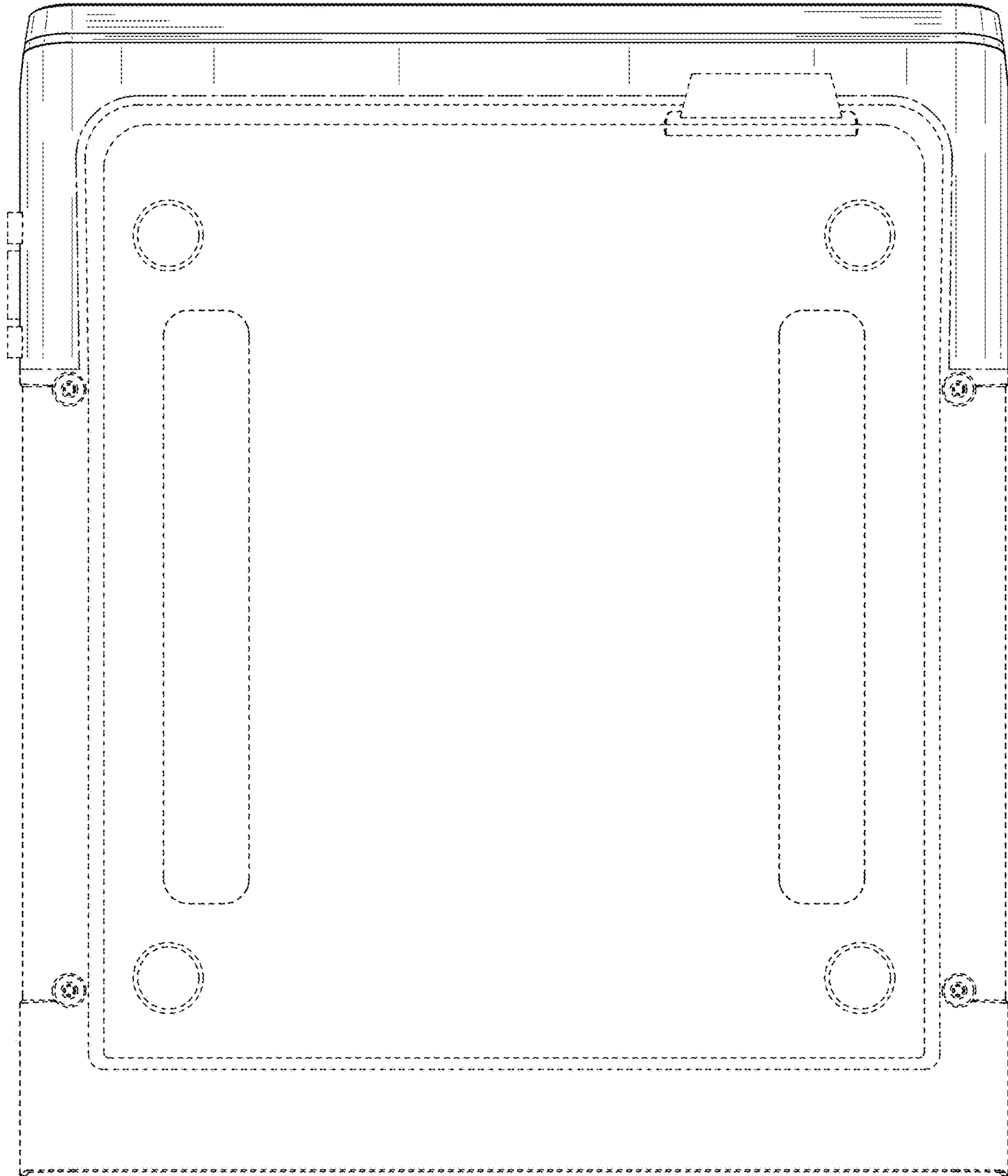


FIG.4



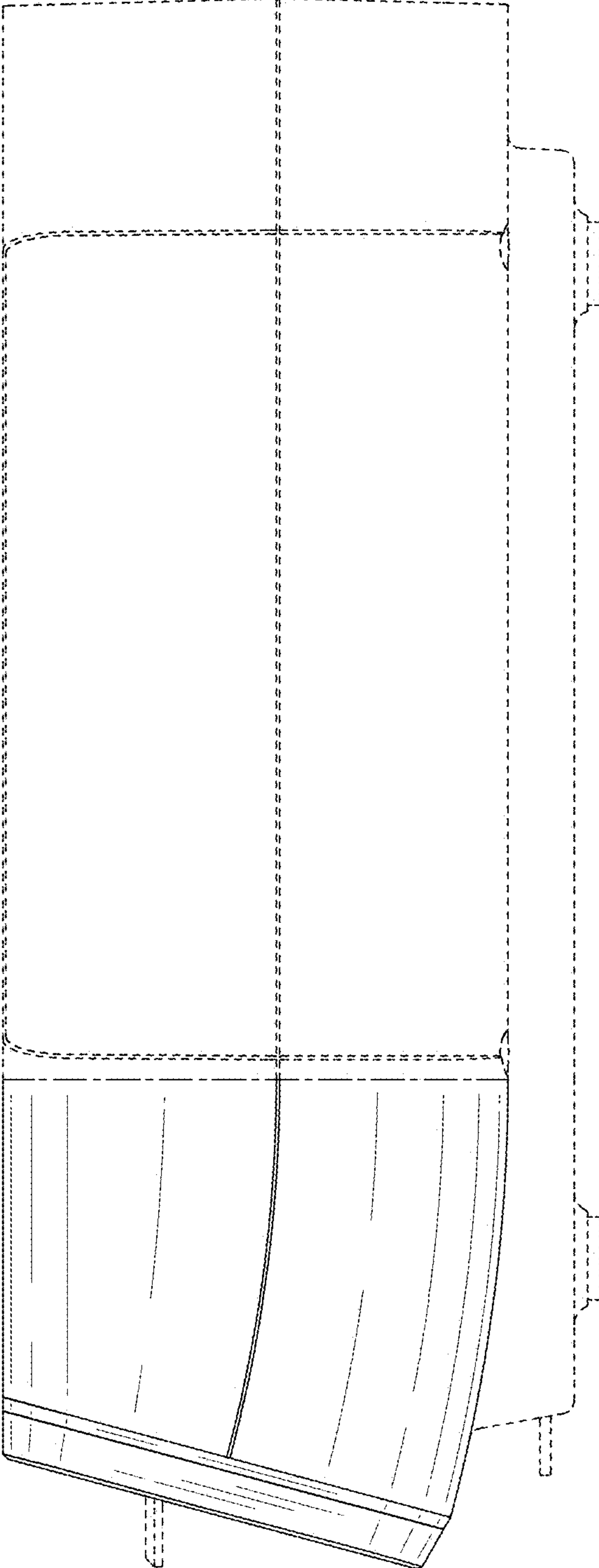


FIG.5

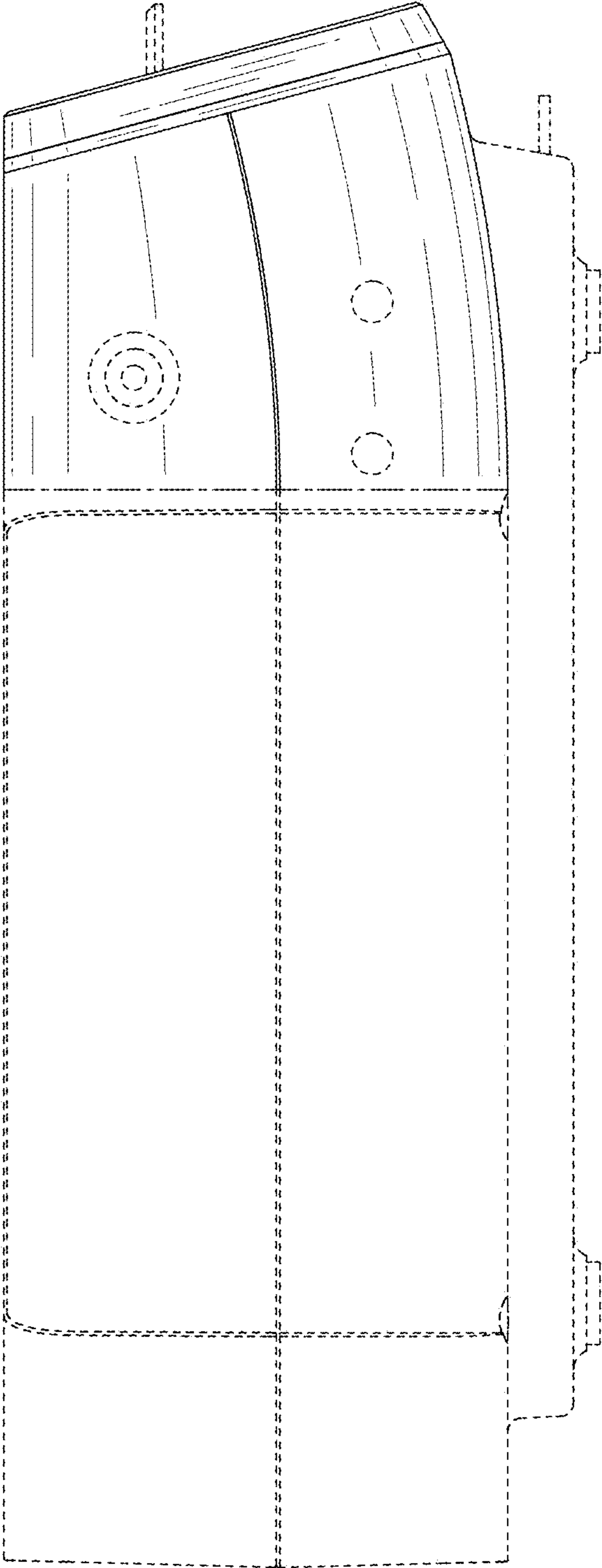


FIG.6