



US00D878577S

(12) **United States Design Patent**  
**Bergeson**

(10) **Patent No.:** **US D878,577 S**  
(45) **Date of Patent:** **\*\* Mar. 17, 2020**

- (54) **DELIVERY TIP**
- (71) Applicant: **ULTRADENT PRODUCTS, INC.**,  
South Jordan, UT (US)
- (72) Inventor: **Benjamin Halbert Bergeson**, Cedar  
Hills, UT (US)
- (73) Assignee: **Ultradent Products, Inc.**, South  
Jordan, UT (US)
- (\*\*) Term: **15 Years**
- (21) Appl. No.: **29/644,871**
- (22) Filed: **Apr. 20, 2018**

4,044,468 A	8/1977	Kahn	
5,405,326 A	4/1995	Haber	
5,746,733 A	5/1998	Capaccio et al.	
5,919,182 A	7/1999	Avallone	
5,928,215 A	7/1999	Caizza et al.	
6,183,464 B1	2/2001	Sharp	
6,616,632 B2	9/2003	Sharp	
6,637,470 B2	10/2003	Reihl	
D553,567 S *	10/2007	Kawanobe	D13/133
7,691,090 B2 *	4/2010	Belley	A61M 39/06 604/167.01
D655,412 S *	3/2012	Luk	D24/130
8,540,686 B2	9/2013	Steube	
D752,214 S	3/2016	Limaye	
D757,259 S *	5/2016	Duck	D24/129
D778,438 S *	2/2017	Smith	D24/129
D781,417 S *	3/2017	Ingram	D24/127

(Continued)

**Related U.S. Application Data**

- (62) Division of application No. 29/573,628, filed on Aug. 8, 2016, now Pat. No. Des. 831,200.
- (51) **LOC (12) Cl.** ..... **24-01**
- (52) **U.S. Cl.**  
USPC ..... **D24/129**
- (58) **Field of Classification Search**  
USPC ..... D24/129, 112-114, 130, 104, 133, 186,  
D24/108, 127; 606/181, 185; 604/264,  
604/272, 115, 164.01-164.09, 533, 232,  
604/187, 168.01, 192, 19, 48, 93.01, 523,  
604/524, 526; 600/101, 139, 143;  
128/200.24, 207.14, 207.15; 601/67  
CPC ..... A61J 1/2096; A61J 1/201; A61M 5/3202;  
A61M 5/3213; A61M 5/344; A61M  
2005/3104; A61M 2005/3106; A61M  
2005/3109  
See application file for complete search history.

(56) **References Cited**

**U.S. PATENT DOCUMENTS**

- 2,989,053 A 6/1961 Hamilton
- 3,247,594 A 4/1966 Nosonowitz

*Primary Examiner* — Nathan M Johnston

(74) *Attorney, Agent, or Firm* — Maschoff Brennan

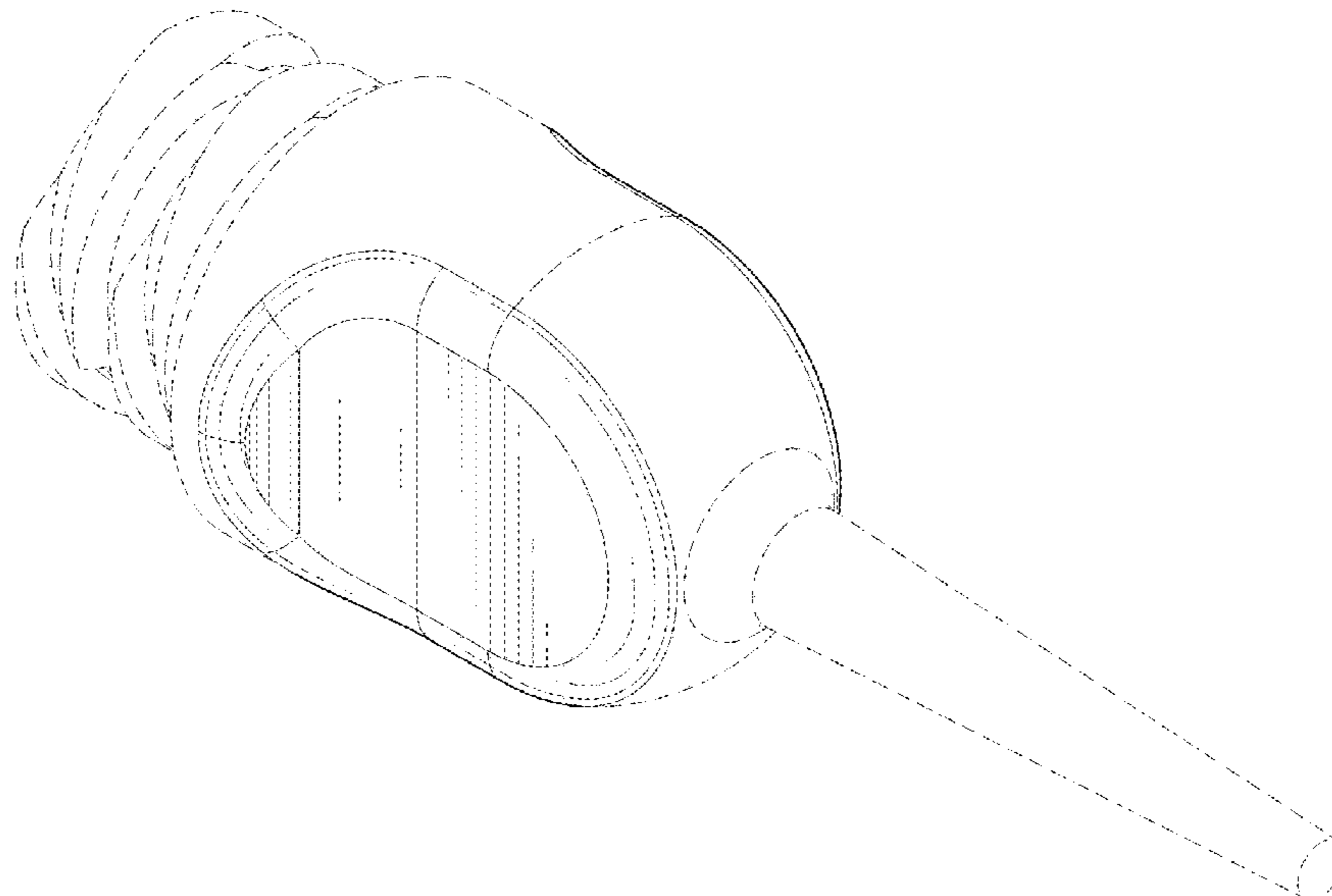
(57) **CLAIM**

The ornamental design for a delivery tip, as shown and described.

**DESCRIPTION**

FIG. 1 is a perspective view of a delivery tip showing my new design;  
 FIG. 2 is a front view of the delivery tip shown in FIG. 1;  
 FIG. 3 is a rear view of the delivery tip shown in FIG. 1;  
 FIG. 4 is a left view of the delivery tip shown in FIG. 1;  
 FIG. 5 is a right view of the delivery tip shown in FIG. 1;  
 FIG. 6 is a top view of the delivery tip shown in FIG. 1; and  
 FIG. 7 is a bottom view of the delivery tip shown in FIG. 1.  
 The broken lines show portions of the design that form no part of the claimed design.

**1 Claim, 6 Drawing Sheets**



(56)

**References Cited**

U.S. PATENT DOCUMENTS

D791,941 S *	7/2017	Burachynsky .....	D24/133
D792,584 S *	7/2017	Ingram .....	D24/127
D792,586 S *	7/2017	Becker .....	D24/129
D794,177 S *	8/2017	Lebedenko .....	D24/112
D844,780 S *	4/2019	White .....	D24/129
D854,147 S *	7/2019	Funakoshi .....	D24/129
2005/0021000 A1 *	1/2005	Adair .....	A61M 5/162 604/523

\* cited by examiner

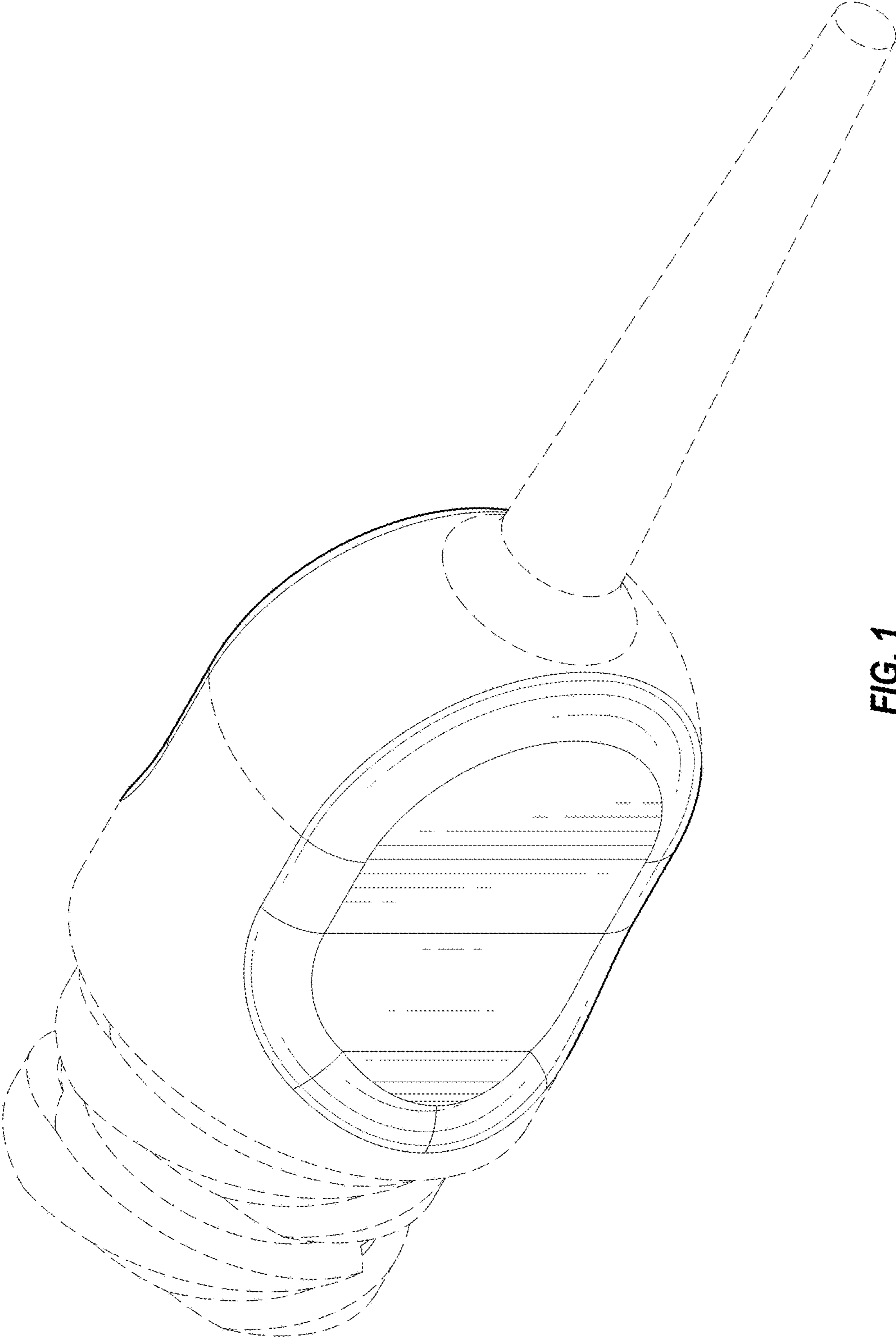


FIG. 1

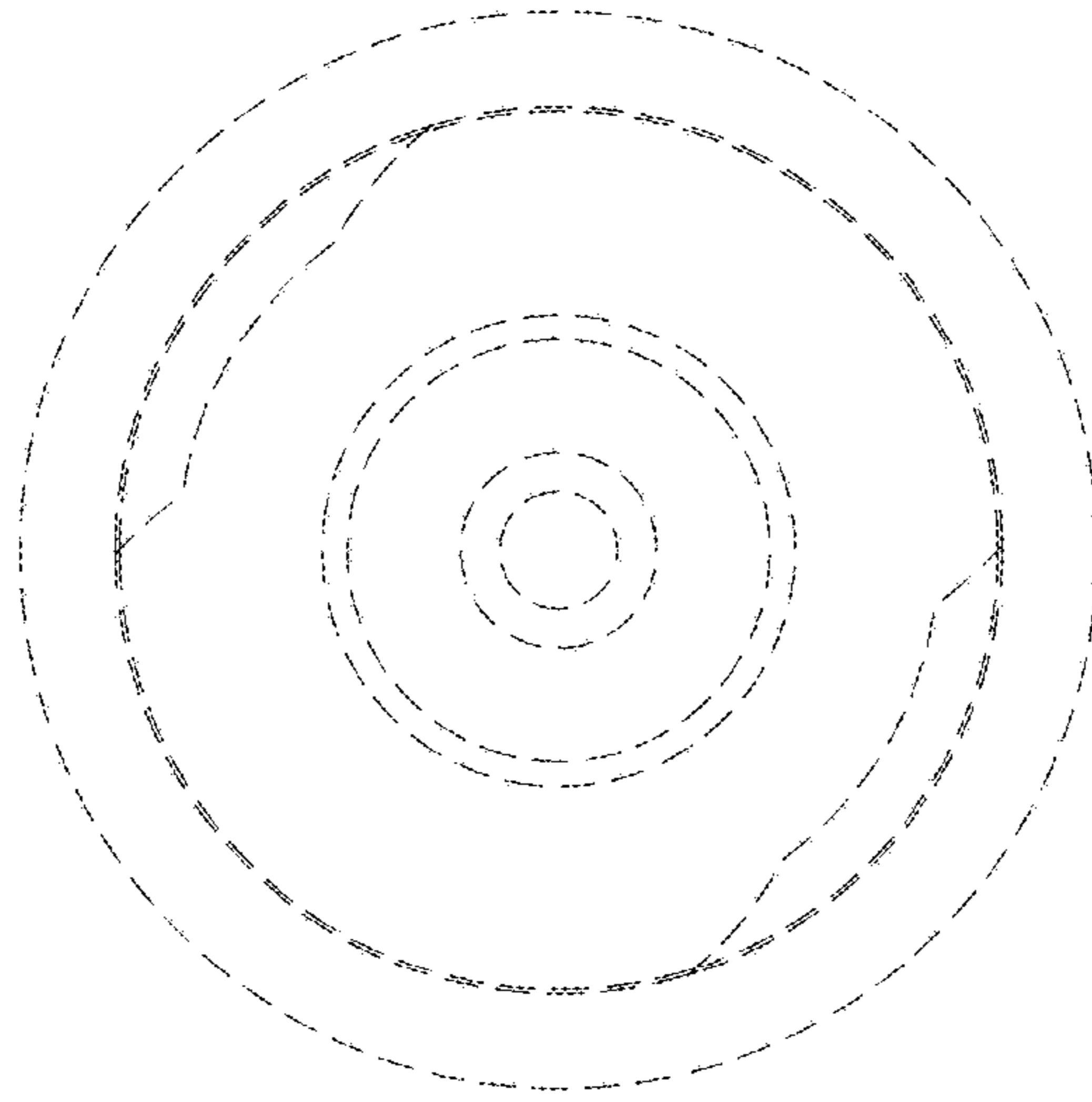


FIG. 2

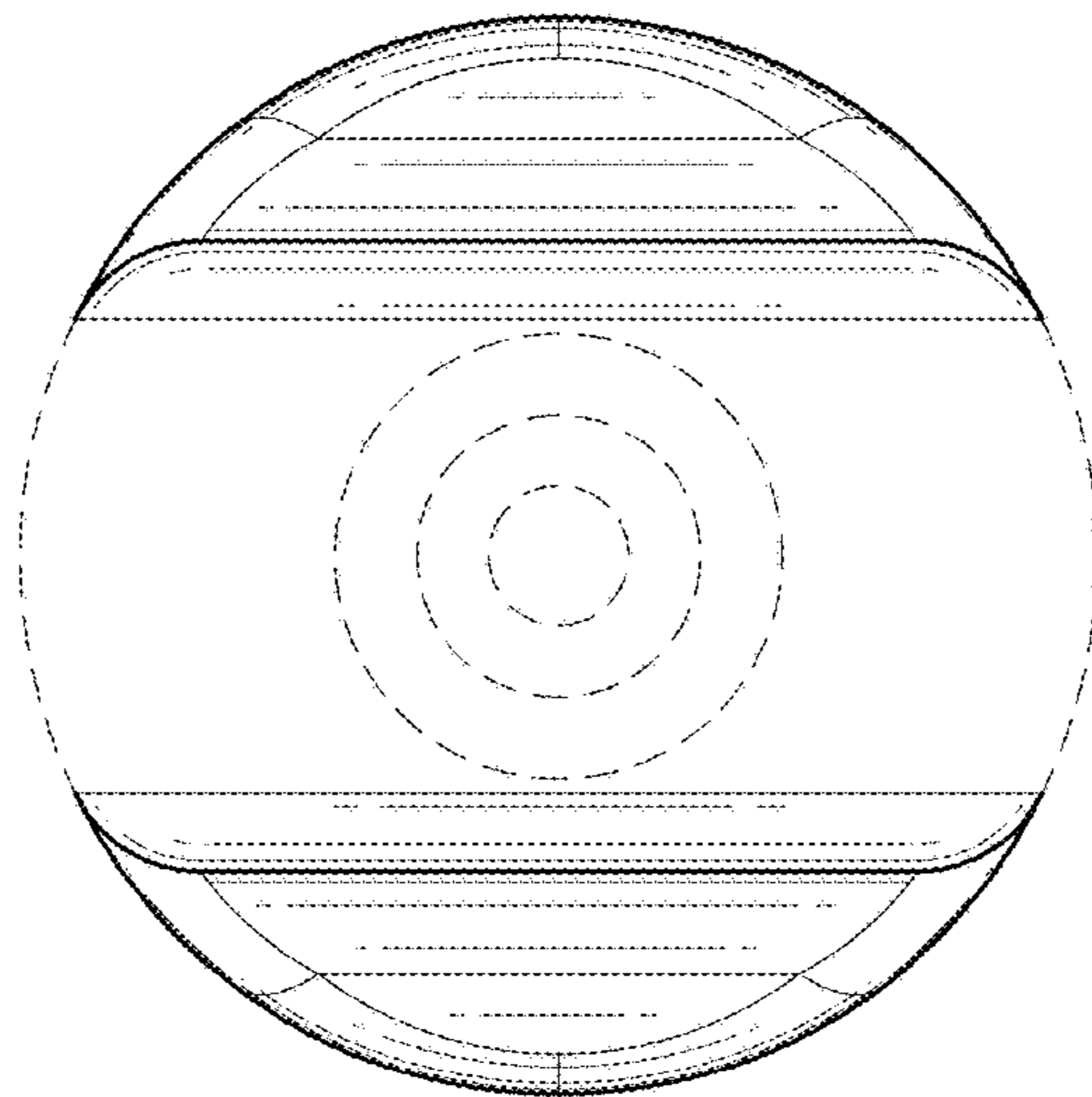


FIG. 3

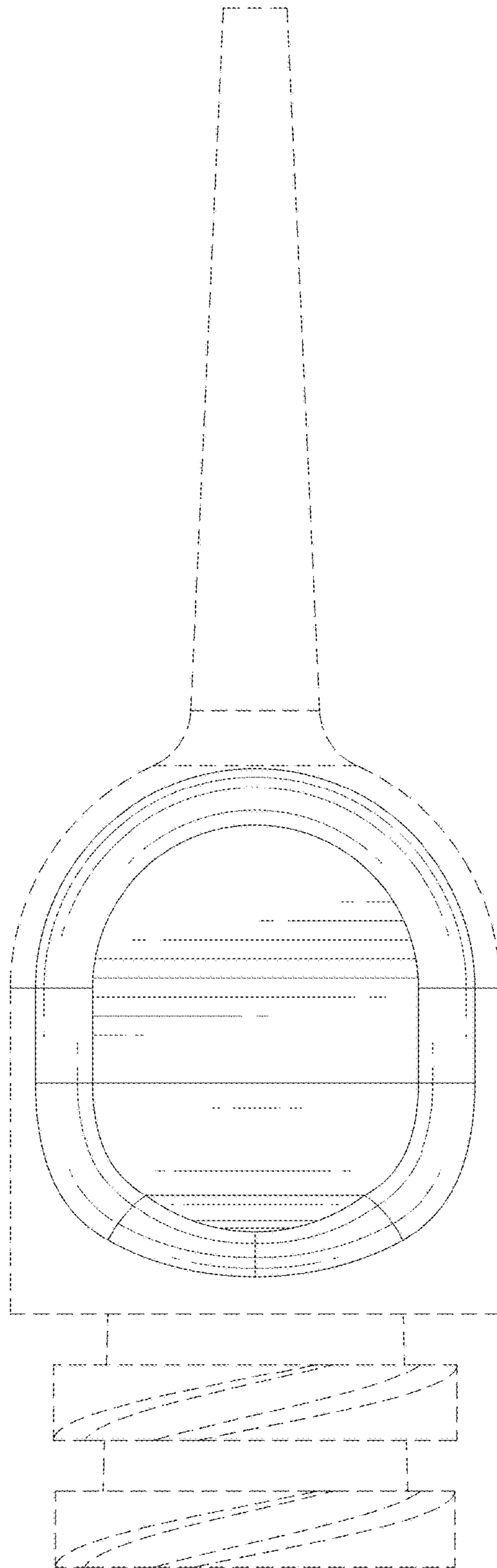


FIG. 4

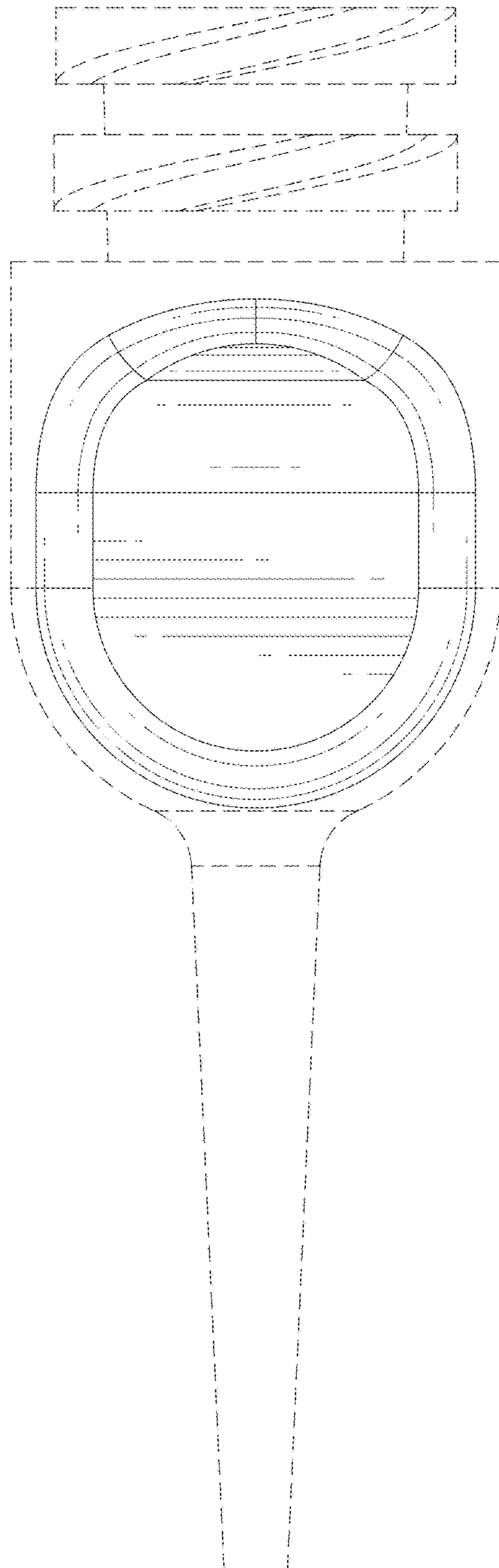


FIG. 5

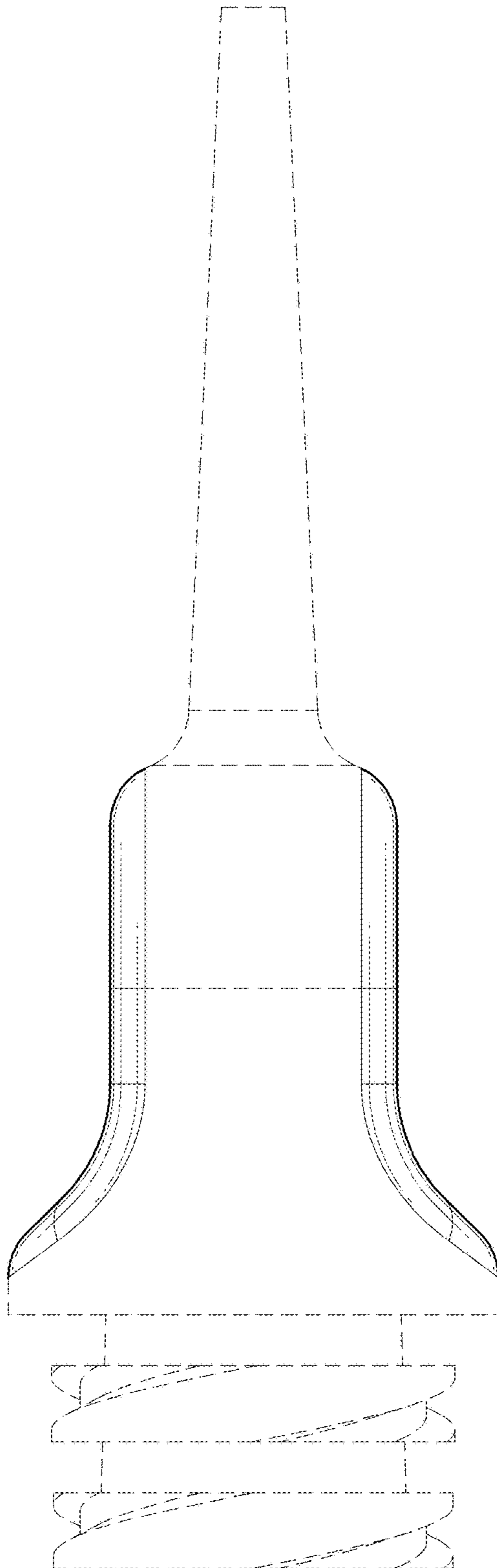


FIG. 6



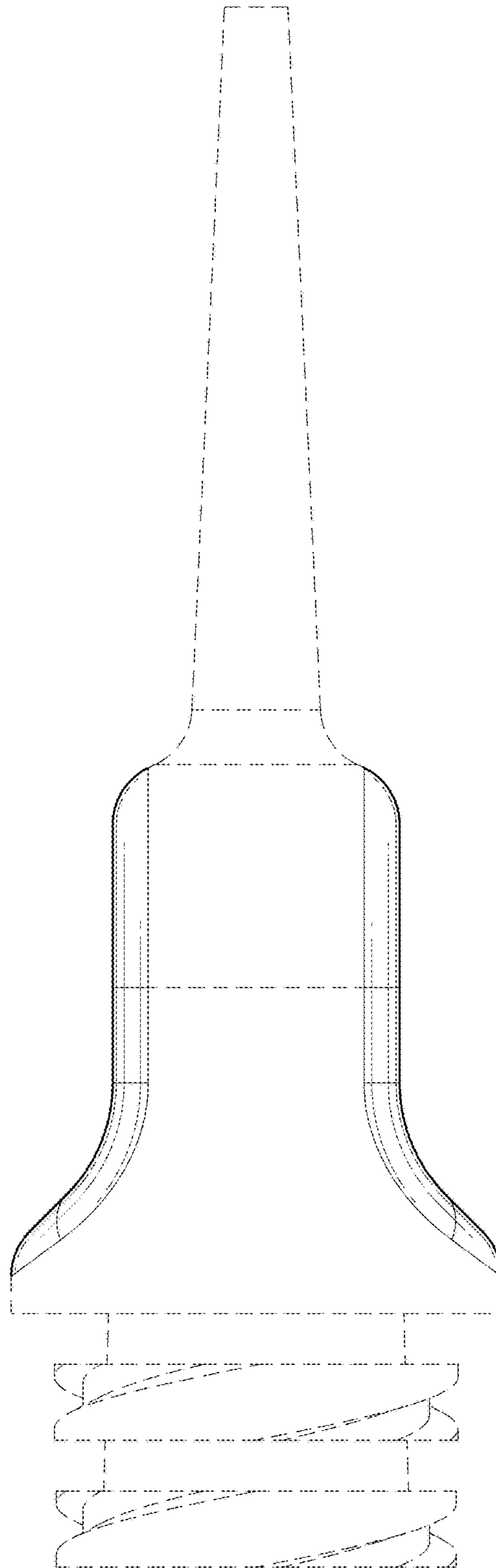


FIG. 7