

US00D878576S

(12) **United States Design Patent**  
**Johnson**

(10) **Patent No.:** **US D878,576 S**

(45) **Date of Patent:** **\*\* Mar. 17, 2020**

(54) **SELECTABLE VALVE WITH INDICATOR**

(71) Applicant: **Merit Medical Systems, Inc.**, South Jordan, UT (US)

(72) Inventor: **David W. Johnson**, South Jordan, UT (US)

(73) Assignee: **Merit Medical Systems, Inc.**, South Jordan, UT (US)

(\*\*) Term: **15 Years**

(21) Appl. No.: **29/630,752**

(22) Filed: **Dec. 22, 2017**

(51) **LOC (12) Cl.** ..... **24-02**

(52) **U.S. Cl.**  
USPC ..... **D24/127**

(58) **Field of Classification Search**  
USPC ..... D24/127-131, 112-114, 133, 186;  
606/181, 185; 604/264, 523-528, 272,  
604/187, 158, 164.01-164.11, 181, 184,  
604/227; 600/101, 139, 143;  
128/200.24, 207.14, 207.15  
CPC ..... A61M 25/00; A61M 39/00; A61M 27/00;  
A61M 25/0043; A61M 25/0067; A61M  
25/0097; A61F 2/958  
See application file for complete search history.

(56) **References Cited**

**U.S. PATENT DOCUMENTS**

D636,079 S *	4/2011	Leybold	.....	D24/129
8,790,327 B2 *	7/2014	Takemoto	.....	A61J 1/10
				604/403
D750,236 S *	2/2016	Maurice	.....	D24/129
D757,260 S *	5/2016	Lombardi, III	.....	D24/129
D773,659 S *	12/2016	Cain	.....	D24/129
D784,529 S *	4/2017	Steele	.....	D24/129

D792,586 S *	7/2017	Becker	.....	D24/129
D799,032 S *	10/2017	Becker	.....	D24/129
D825,746 S *	8/2018	Davis	.....	D24/129
D830,523 S *	10/2018	Vranish	.....	D23/262
D830,524 S *	10/2018	Vranish	.....	D23/262
D836,191 S *	12/2018	Kheradpir	.....	D24/112
D837,978 S *	1/2019	Pappalardo	.....	D24/129

\* cited by examiner

*Primary Examiner* — David G Muller

(74) *Attorney, Agent, or Firm* — Stoel Rives LLP

(57) **CLAIM**

The ornamental design for a selectable valve with indicator, as shown and described.

**DESCRIPTION**

The patent file contains at least one drawing executed in color. Copies of this patent with color drawings will be provided by the office upon request and payment of the necessary fee.

FIG. 1 is a first top perspective view of an embodiment of a selectable flow control valve with indicator.

FIG. 2 is a second top perspective view of the selectable flow control valve with indicator of FIG. 1.

FIG. 3 is a first bottom perspective view thereof.

FIG. 4 is a second bottom perspective view thereof.

FIG. 5 is a top view thereof.

FIG. 6 is a bottom view thereof.

FIG. 7 is a right side view thereof.

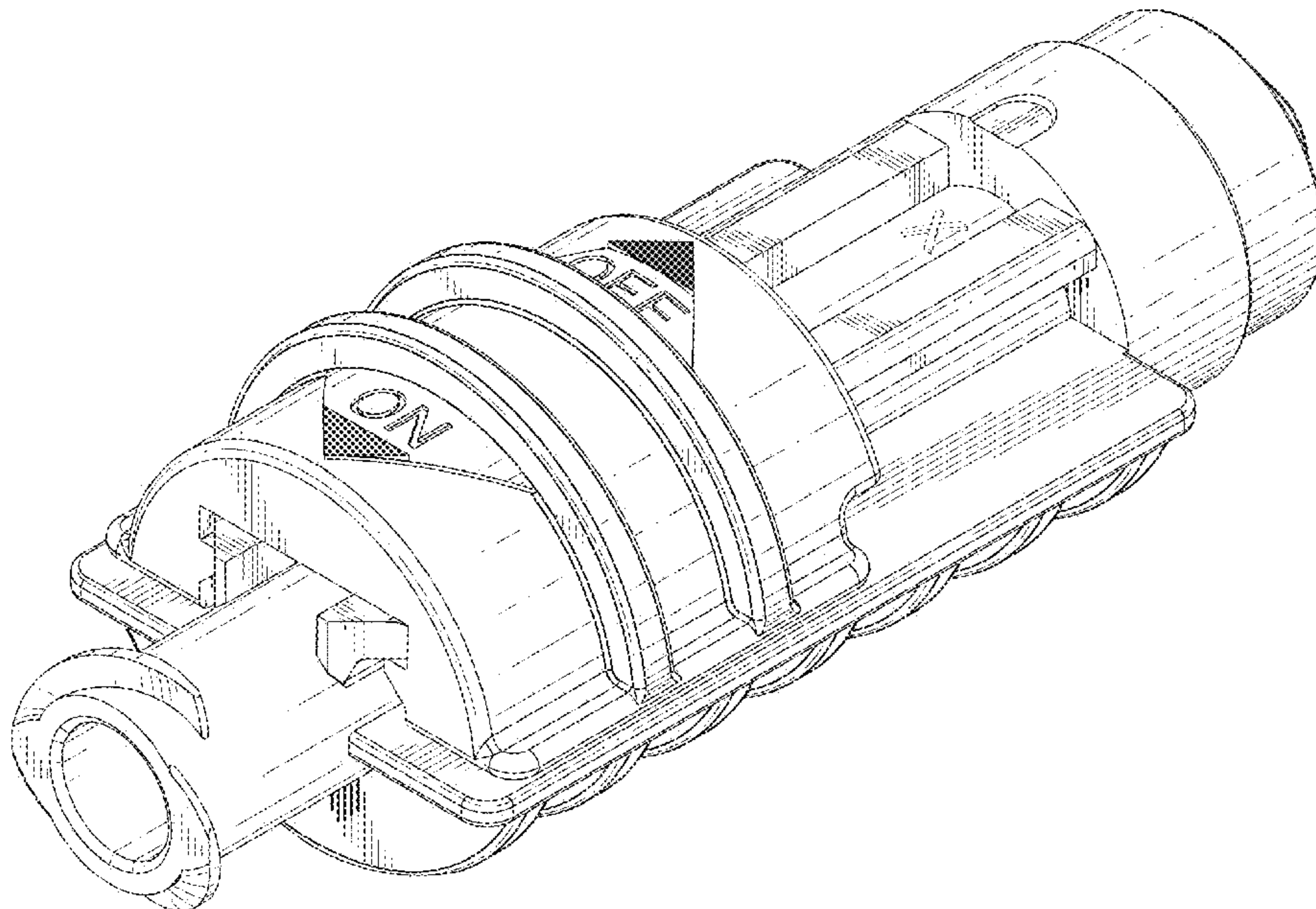
FIG. 8 is a left side view thereof.

FIG. 9 is a front end view thereof; and,

FIG. 10 is a back end view thereof.

The broken line showing of parts of the drawings is included for the purpose of illustrating use and environment and forms no part of the claimed design.

**1 Claim, 9 Drawing Sheets**  
**(5 of 9 Drawing Sheet(s) Filed in Color)**



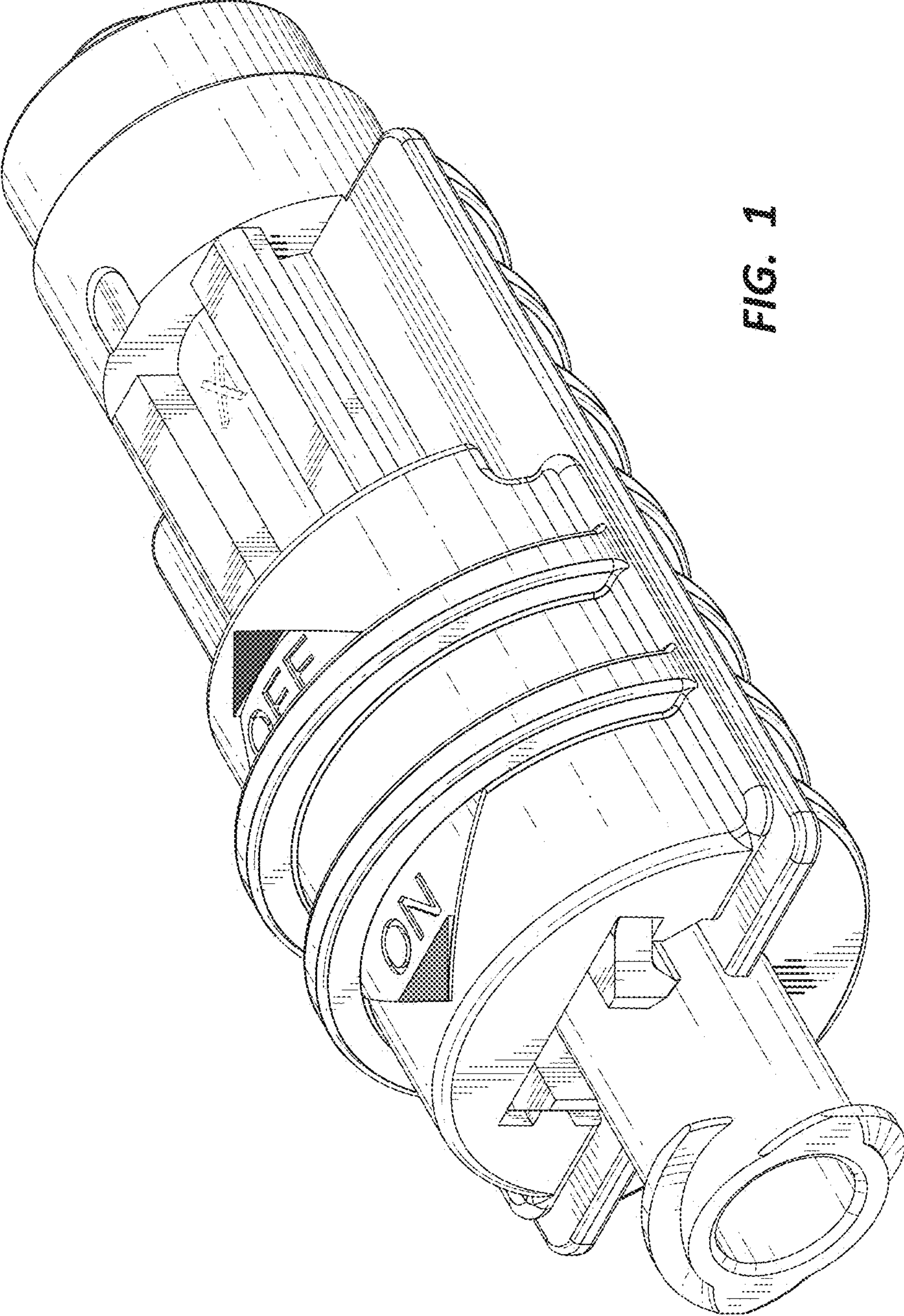


FIG. 1



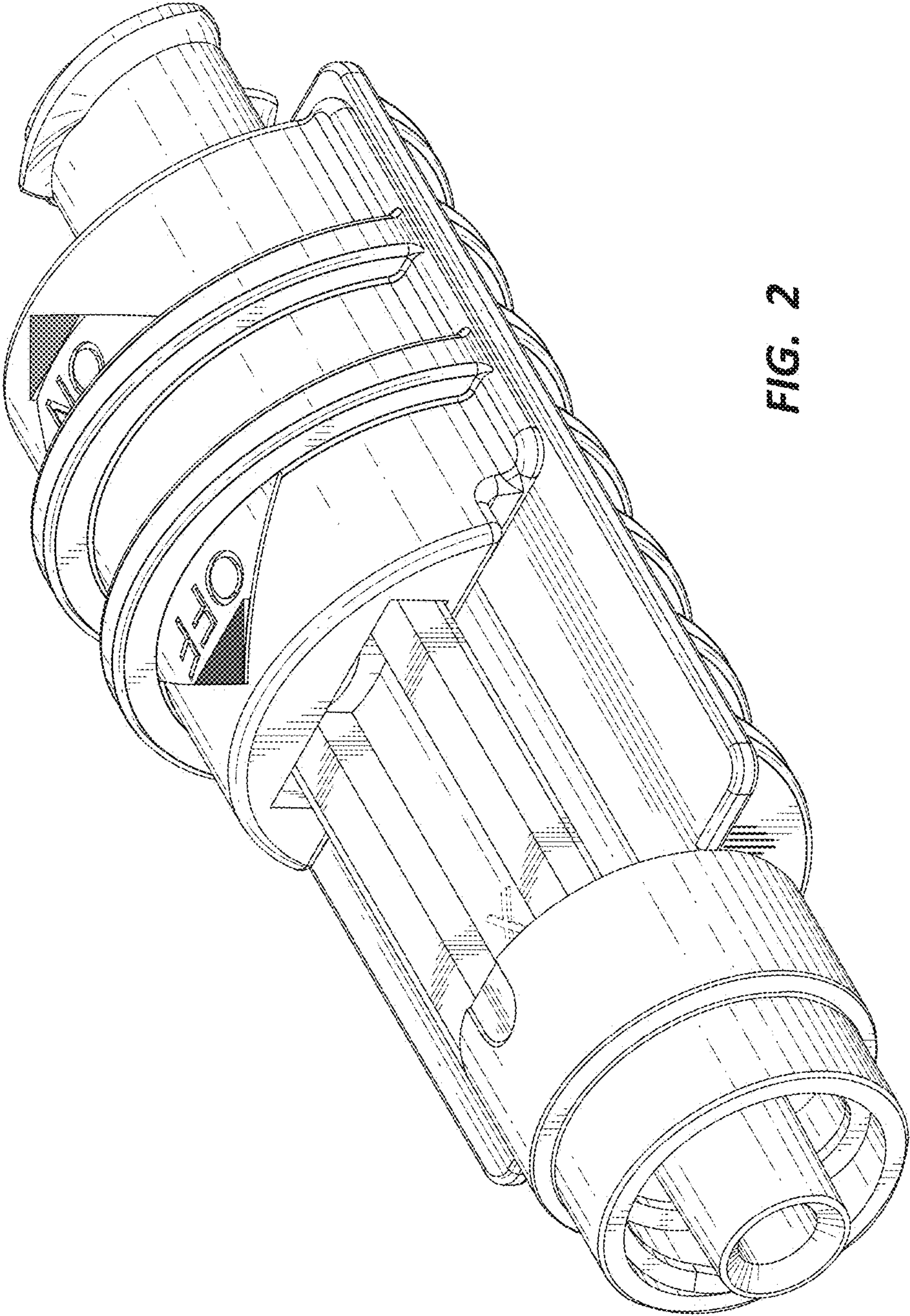


FIG. 2

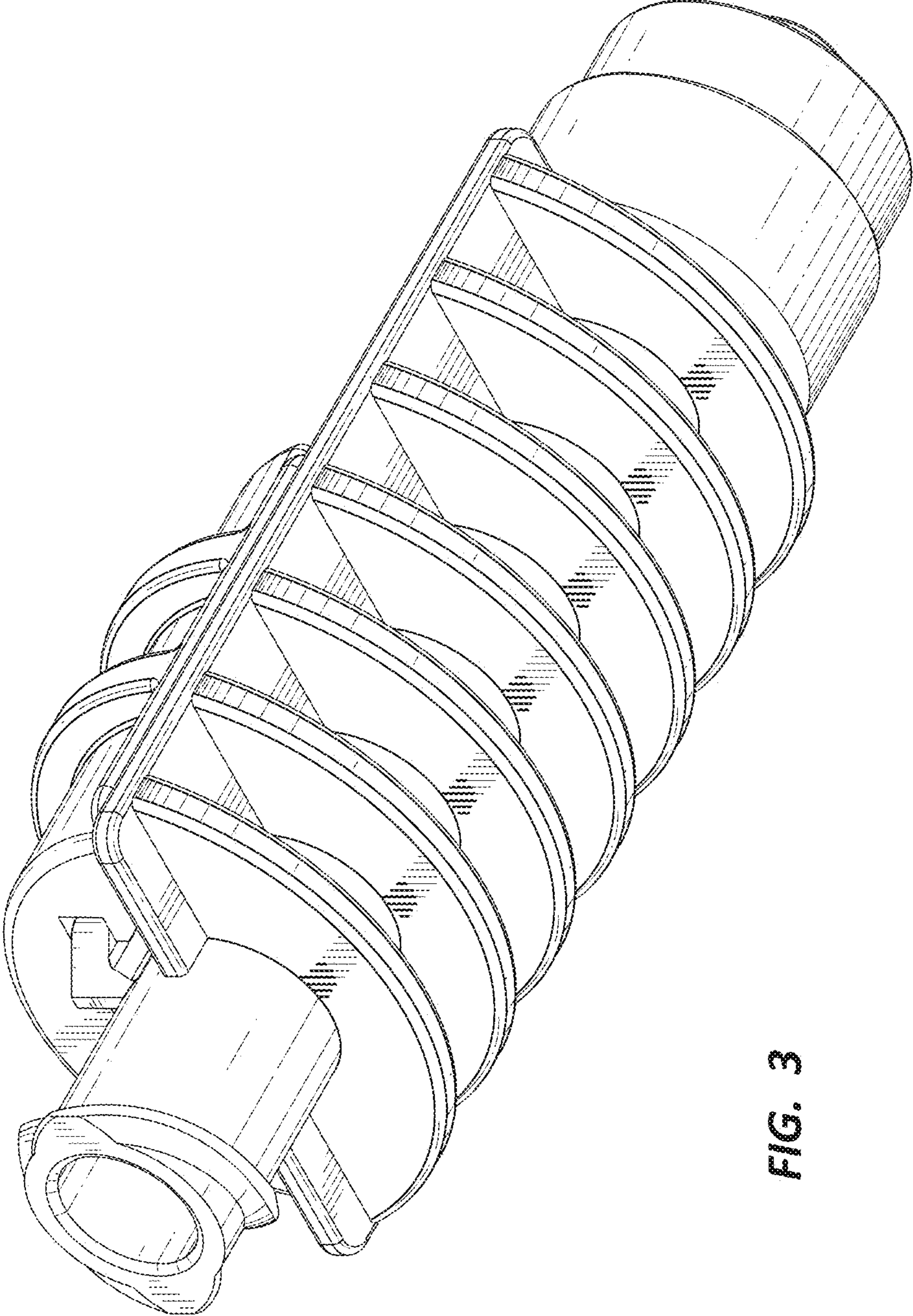


FIG. 3



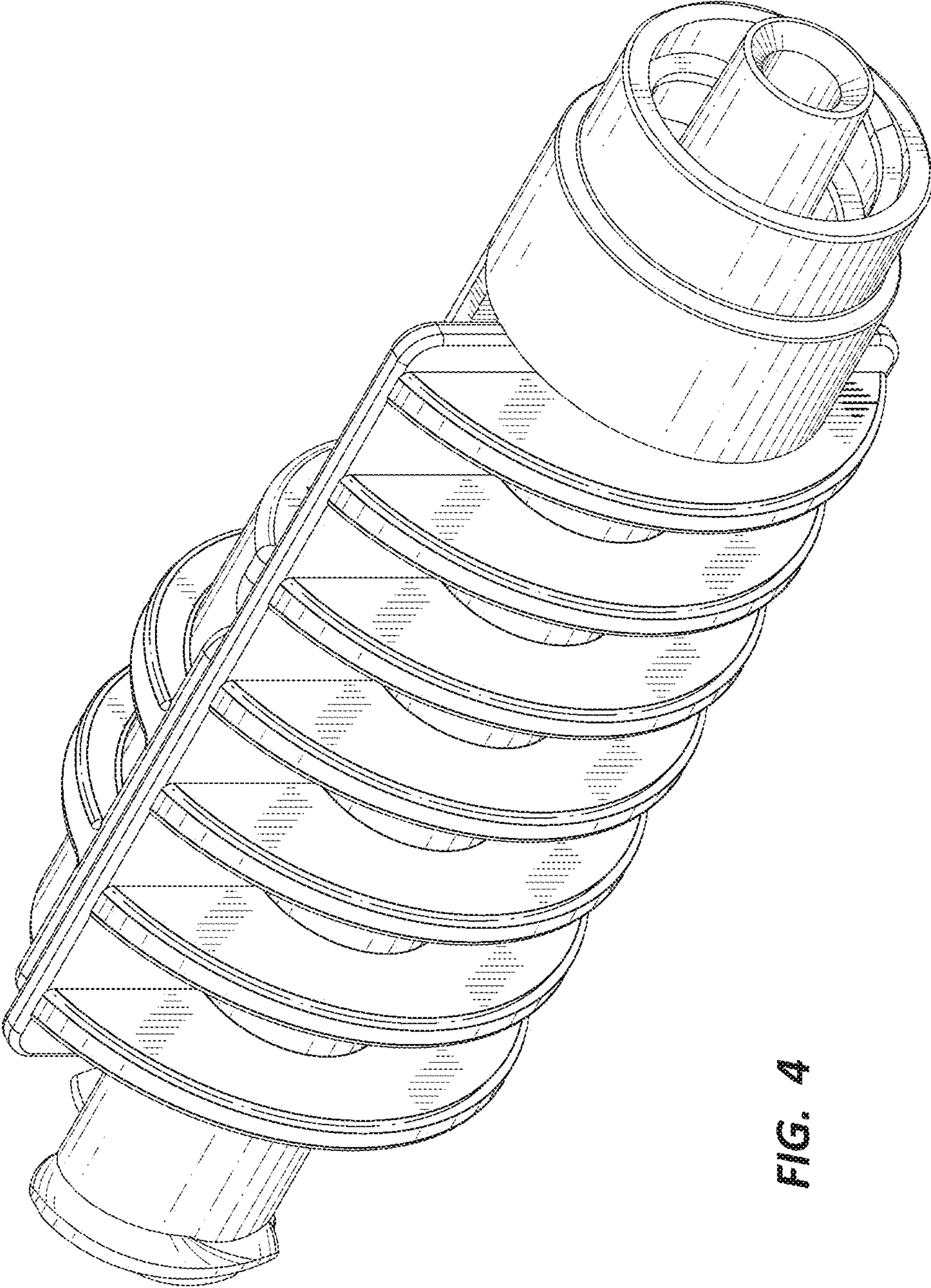


FIG. 4

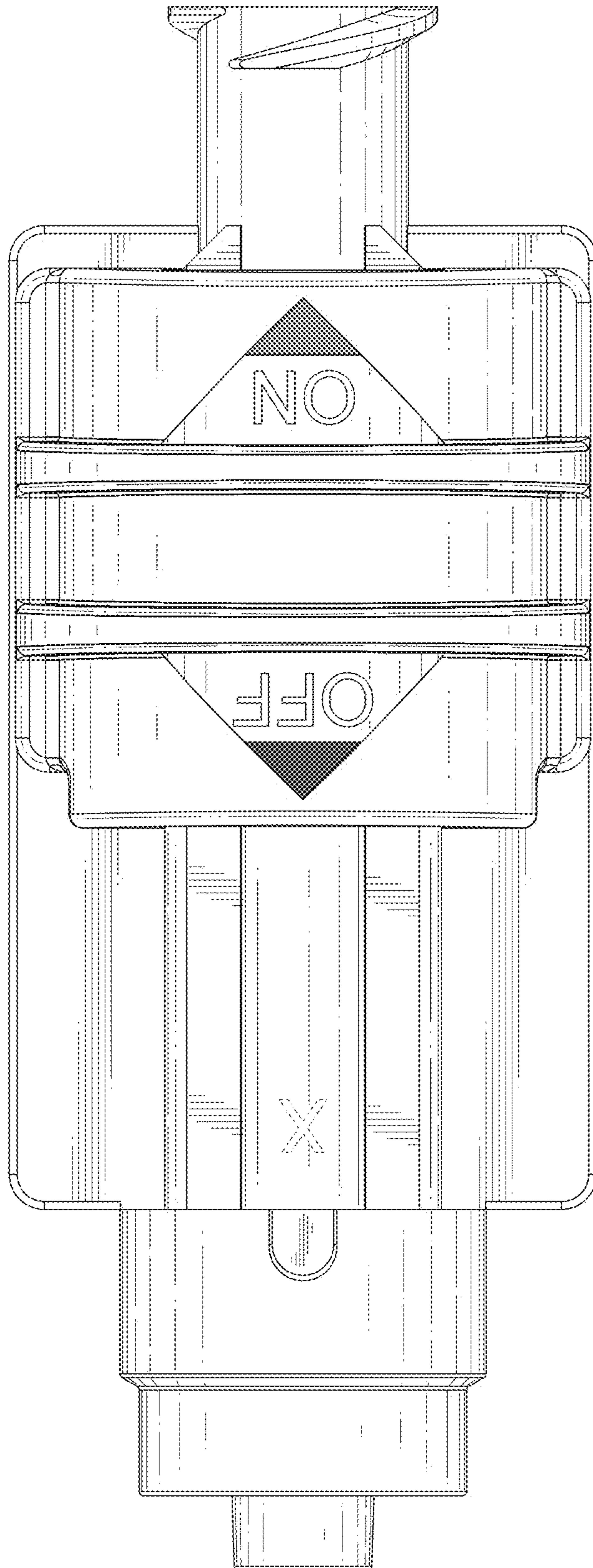


FIG. 5

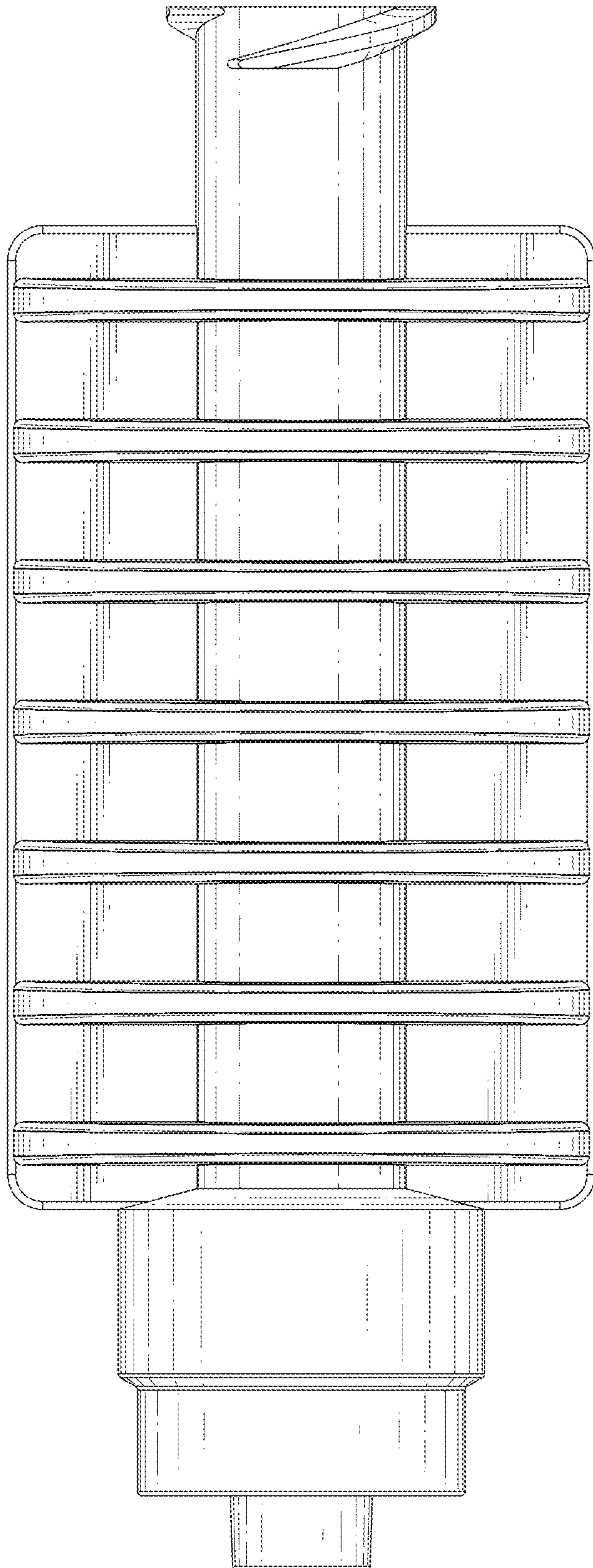


FIG. 6



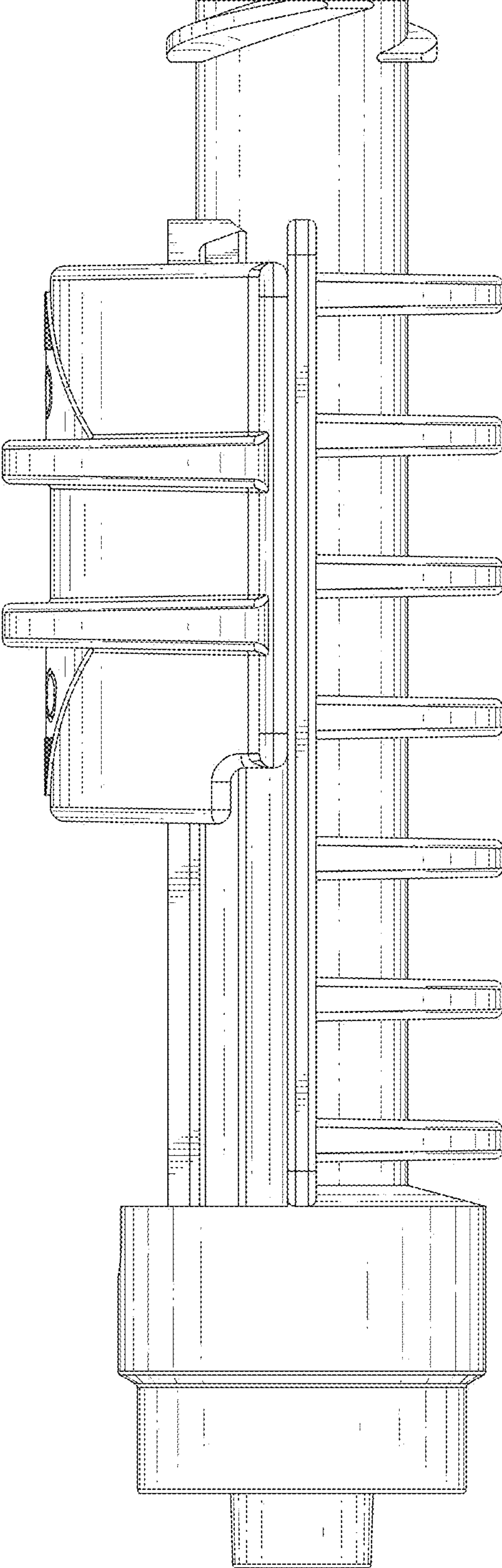


FIG. 7



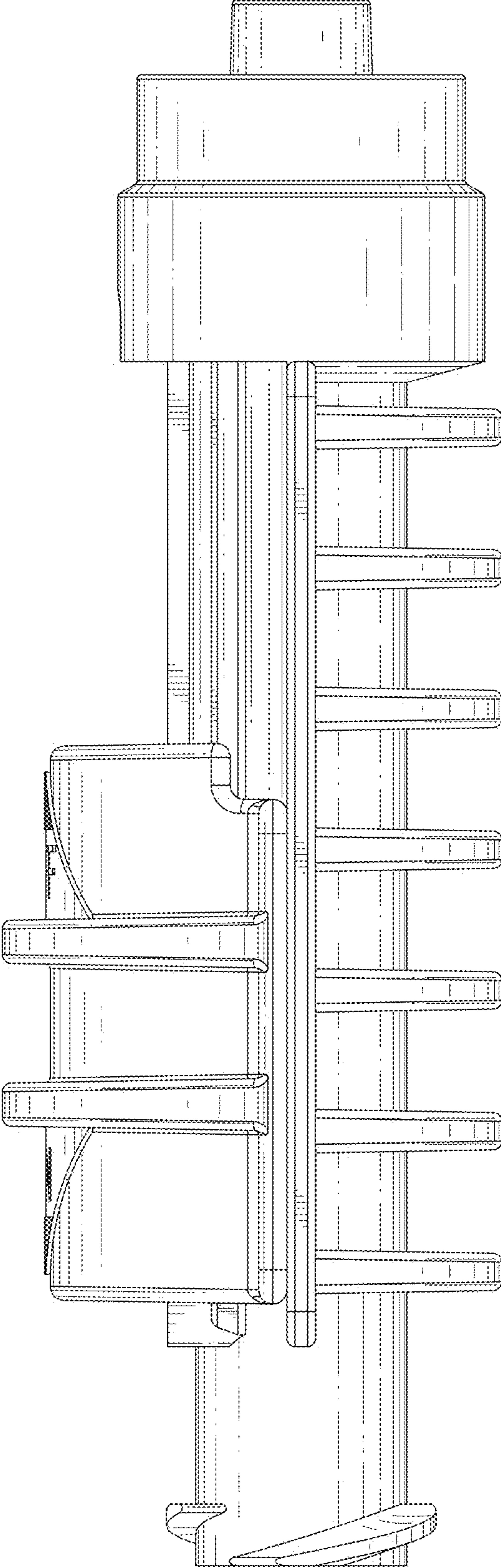


FIG. 8

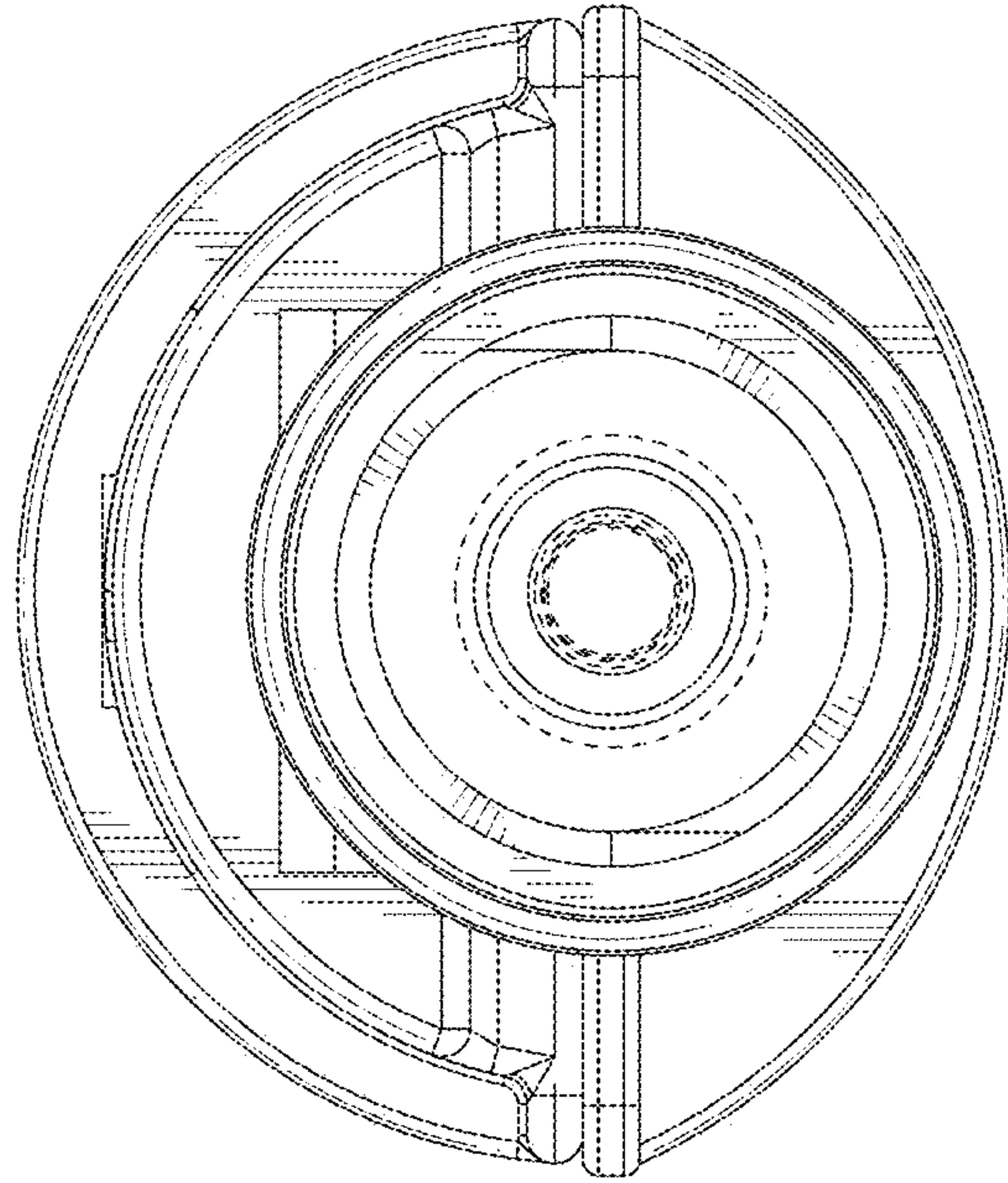


FIG. 10

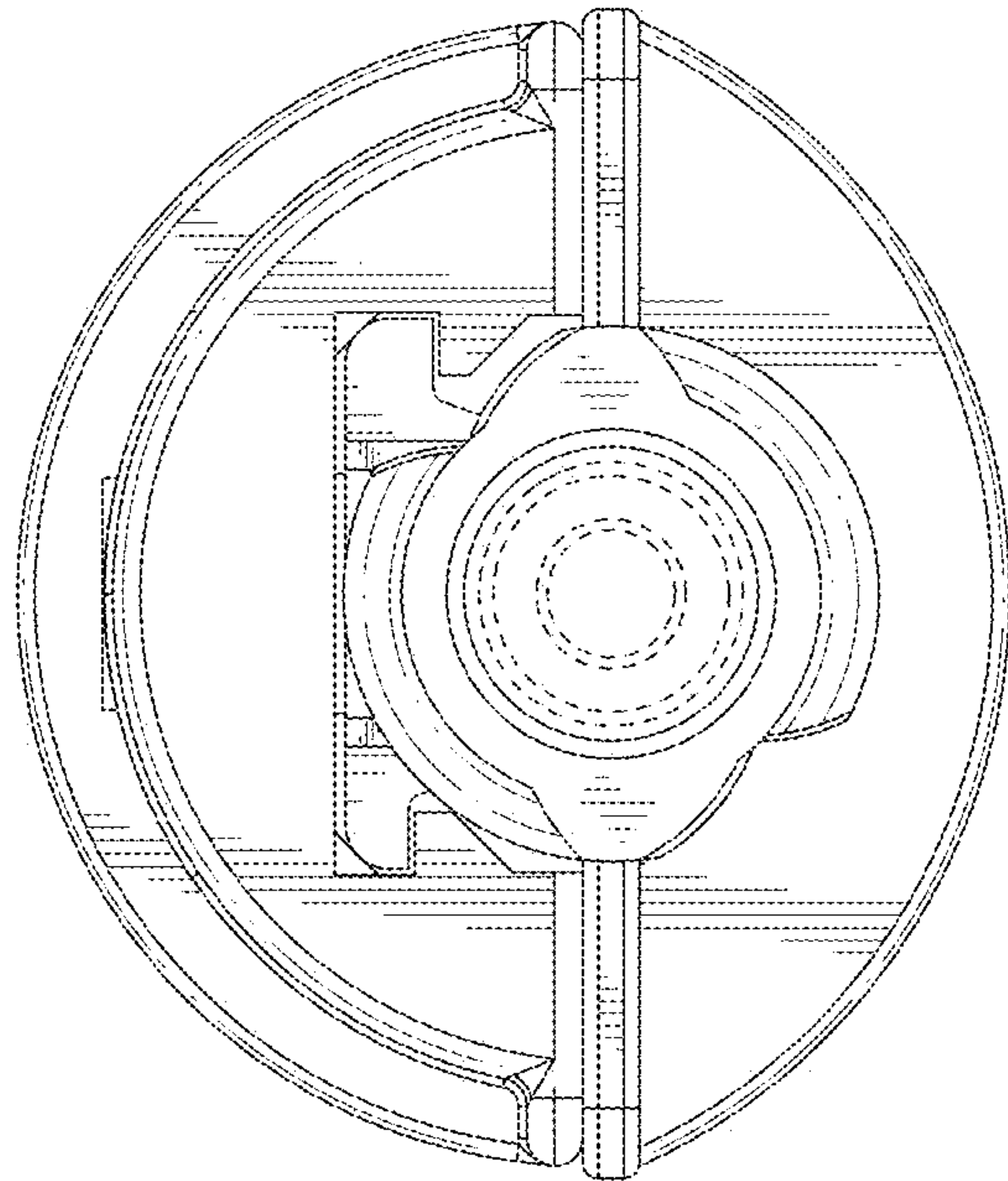


FIG. 9