



US00D878575S

(12) **United States Design Patent**
Kangastupa

(10) **Patent No.:** **US D878,575 S**
(45) **Date of Patent:** **** Mar. 17, 2020**

(54) **HAND OPERATED MEDICAL INSTRUMENT**

(71) Applicant: **Timo Kangastupa**, Seinäjoki (FI)

(72) Inventor: **Timo Kangastupa**, Seinäjoki (FI)

(73) Assignee: **Visionisti OY**, Seinäjoki (FI)

(**) Term: **15 Years**

(21) Appl. No.: **29/565,550**

(22) Filed: **May 22, 2016**

(30) **Foreign Application Priority Data**

Nov. 24, 2015 (EM) 002874420-0001
Nov. 24, 2015 (EM) 002874420-0002
Nov. 24, 2015 (EM) 002874420-0003
Nov. 24, 2015 (EM) 002874420-0004

(51) **LOC (12) Cl.** **24-02**

(52) **U.S. Cl.**
USPC **D24/127**

(58) **Field of Classification Search**
USPC D24/112-114, 133, 186, 104, 127, 130,
D24/128, 129, 157; 606/181, 185;
604/264, 272, 115, 232, 187, 158, 164.08,
604/192, 263, 163, 181, 184, 198, 227
CPC A61F 9/0026; A61F 9/0008; A61F 9/007;
A61F 2250/0007; A61M 5/46
See application file for complete search history.

(56) **References Cited**

U.S. PATENT DOCUMENTS

4,178,646 A * 12/1979 Swartz B67B 7/36
7/156
D275,453 S * 9/1984 Bankier D9/415
5,112,313 A * 5/1992 Sallee A61M 25/0612
604/180
5,334,162 A * 8/1994 Harris A61J 1/062
604/232

5,554,097 A * 9/1996 Guy A61B 1/00144
206/438
D387,665 S * 12/1997 Eichhorn D9/424
D416,086 S * 11/1999 Parris D24/112
D440,657 S * 4/2001 Wilkinson D24/130
D440,658 S * 4/2001 Wilkinson D24/130
D472,630 S * 4/2003 Douglas D24/108
D495,416 S * 8/2004 Dimeo A61J 1/2096
D24/108
D496,101 S * 9/2004 Davison D24/112
7,628,772 B2 * 12/2009 McConnell A61J 1/2096
604/181
D612,939 S * 3/2010 Boone, III D24/133
7,691,071 B2 * 4/2010 Kojima A61B 5/0006
600/347
D616,984 S * 6/2010 Gilboa D24/129
7,763,006 B2 * 7/2010 Tennican A61M 39/165
604/187
D644,319 S * 8/2011 Virr D24/110
D673,261 S * 12/2012 Rapoport D24/110
8,608,710 B2 * 12/2013 Zhao A61M 5/329
604/115
D748,498 S * 2/2016 Pipes D9/424
2002/0092521 A1 * 7/2002 Sullivan A61M 15/0028
128/200.24

(Continued)

Primary Examiner — Nathan M Johnston
(74) *Attorney, Agent, or Firm* — Hoffmann & Baron, LLP

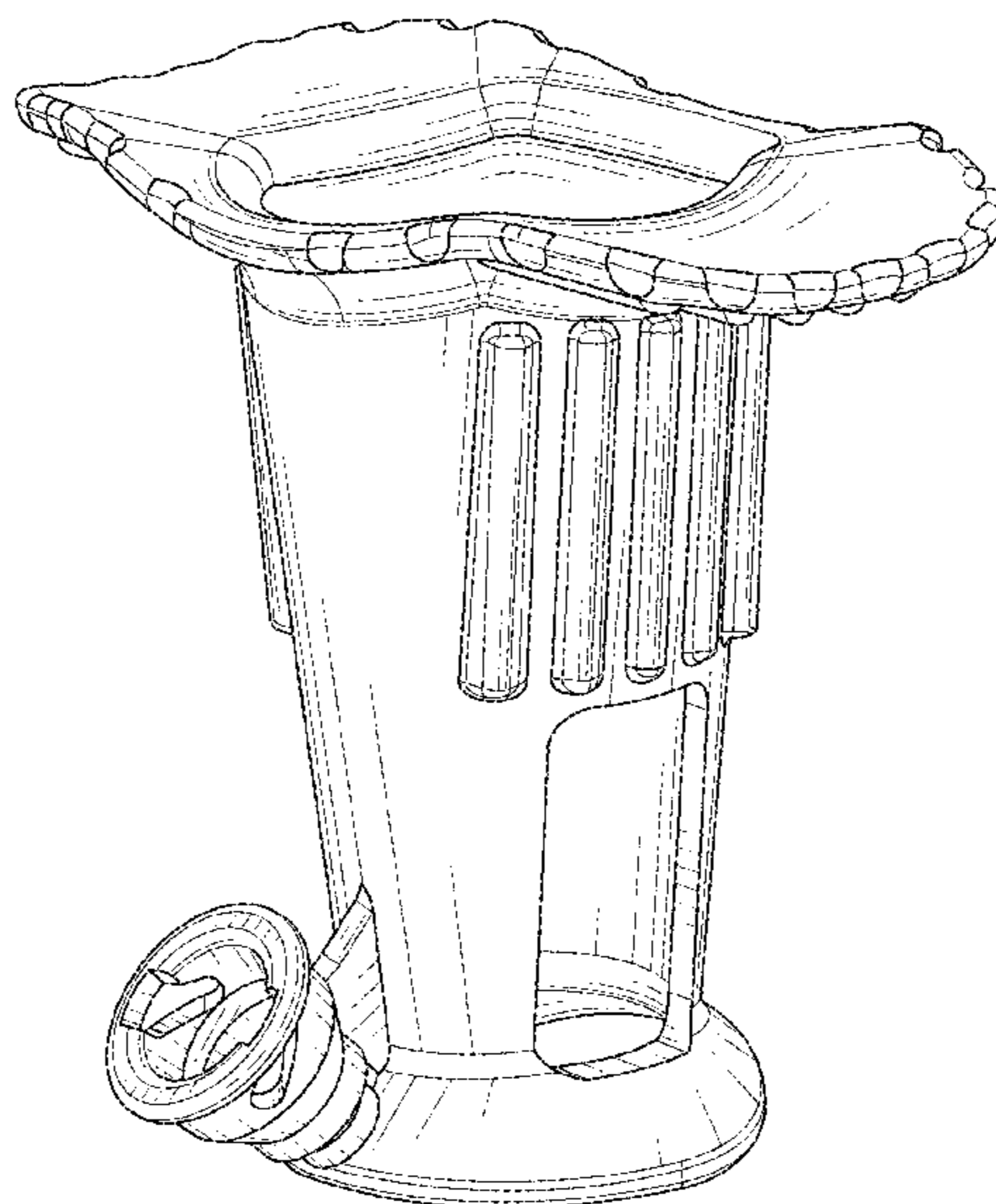
(57) **CLAIM**

The ornamental design for a hand operated medical instrument, as shown and described.

DESCRIPTION

FIG. 1 is a top, front and right side perspective view of a hand operated medical instrument of my new design;
FIG. 2 is a front view thereof;
FIG. 3 is a rear view thereof;
FIG. 4 is a right side view thereof;
FIG. 5 is a left side view thereof;
FIG. 6 is a top view thereof; and,
FIG. 7 is a bottom view thereof.

1 Claim, 7 Drawing Sheets



(56)

References Cited

U.S. PATENT DOCUMENTS

2004/0006312 A1* 1/2004 Donnan A61M 5/1782
604/181

2004/0098010 A1* 5/2004 Davison A61B 5/150206
606/181

2007/0282275 A1* 12/2007 Ferguson A61M 5/3275
604/198

2009/0287237 A1* 11/2009 Nicholls A61B 5/150916
606/182

2010/0268116 A1* 10/2010 Fojtik A61M 5/3129
600/566

2010/0298815 A1* 11/2010 Scifert A61L 24/0084
604/890.1

2011/0077600 A1* 3/2011 Uchida A61M 5/326
604/198

2011/0288574 A1* 11/2011 Curry A61B 5/14503
606/185

2012/0150125 A1* 6/2012 Karlsson A61M 5/326
604/198

2012/0165745 A1* 6/2012 Nielsen A61M 5/3202
604/192

2012/0247477 A1* 10/2012 Stephenson A61M 16/04
128/207.14

2012/0259281 A1* 10/2012 Wei A61M 5/326
604/111

2014/0188046 A1* 7/2014 DiBiasi A61M 5/3202
604/111

2014/0228766 A1* 8/2014 Iio A61M 5/00
604/187

2014/0249481 A1* 9/2014 Slemmen A61M 5/326
604/198

2015/0328412 A1* 11/2015 Bates A61M 5/002
604/117

2016/0073943 A1* 3/2016 Cheng A61B 5/15186
606/181

* cited by examiner

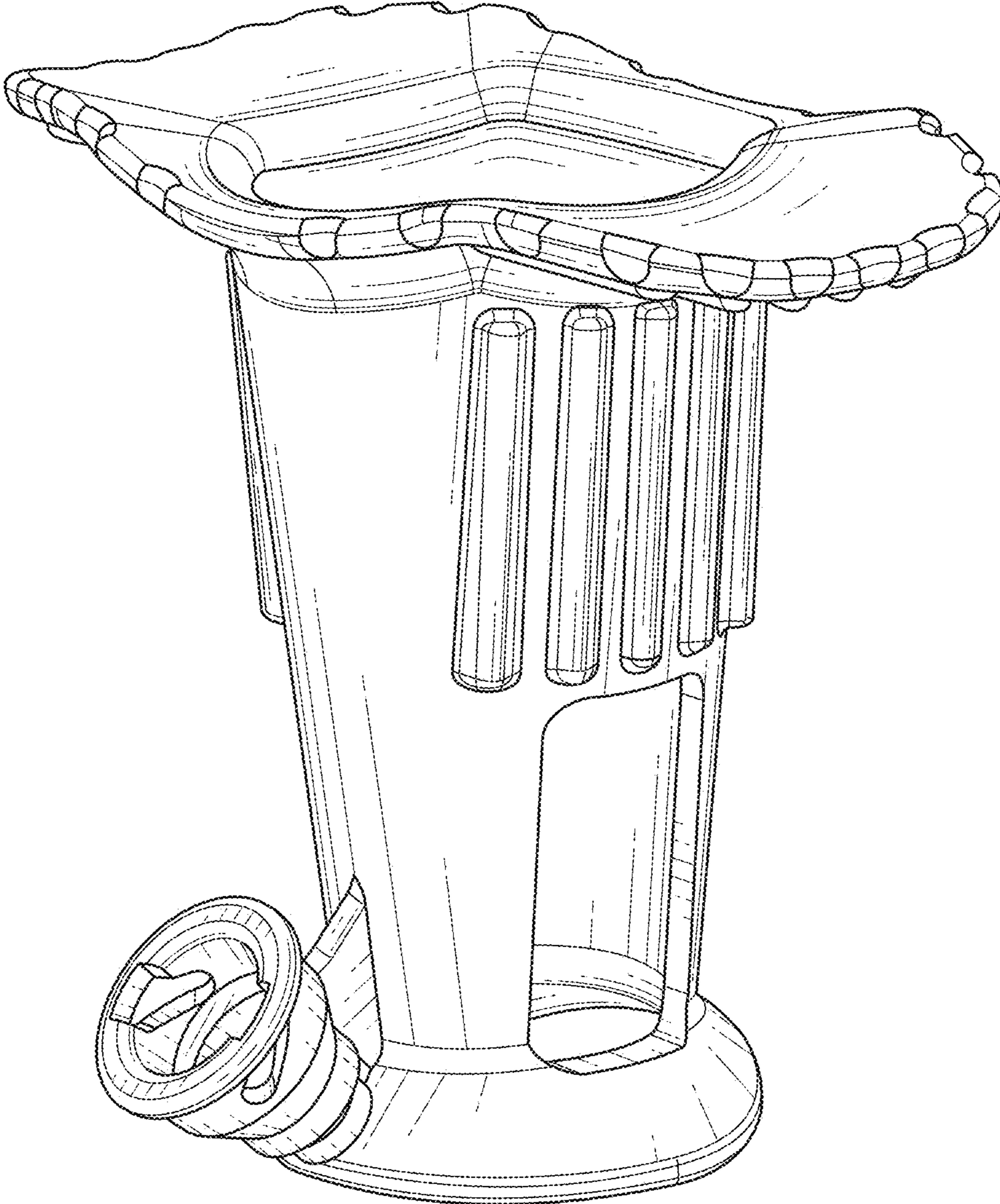


FIG. 1

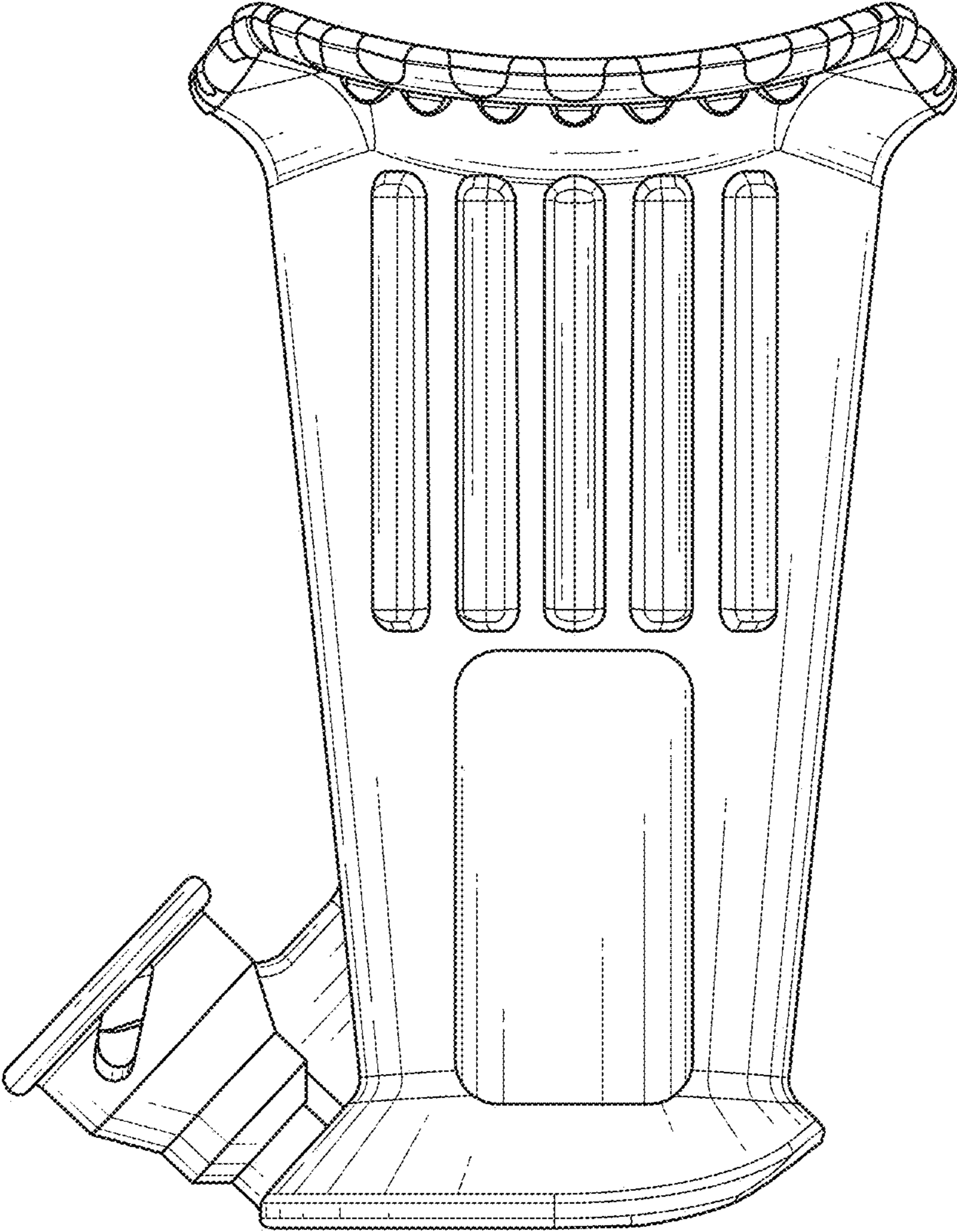


FIG. 2

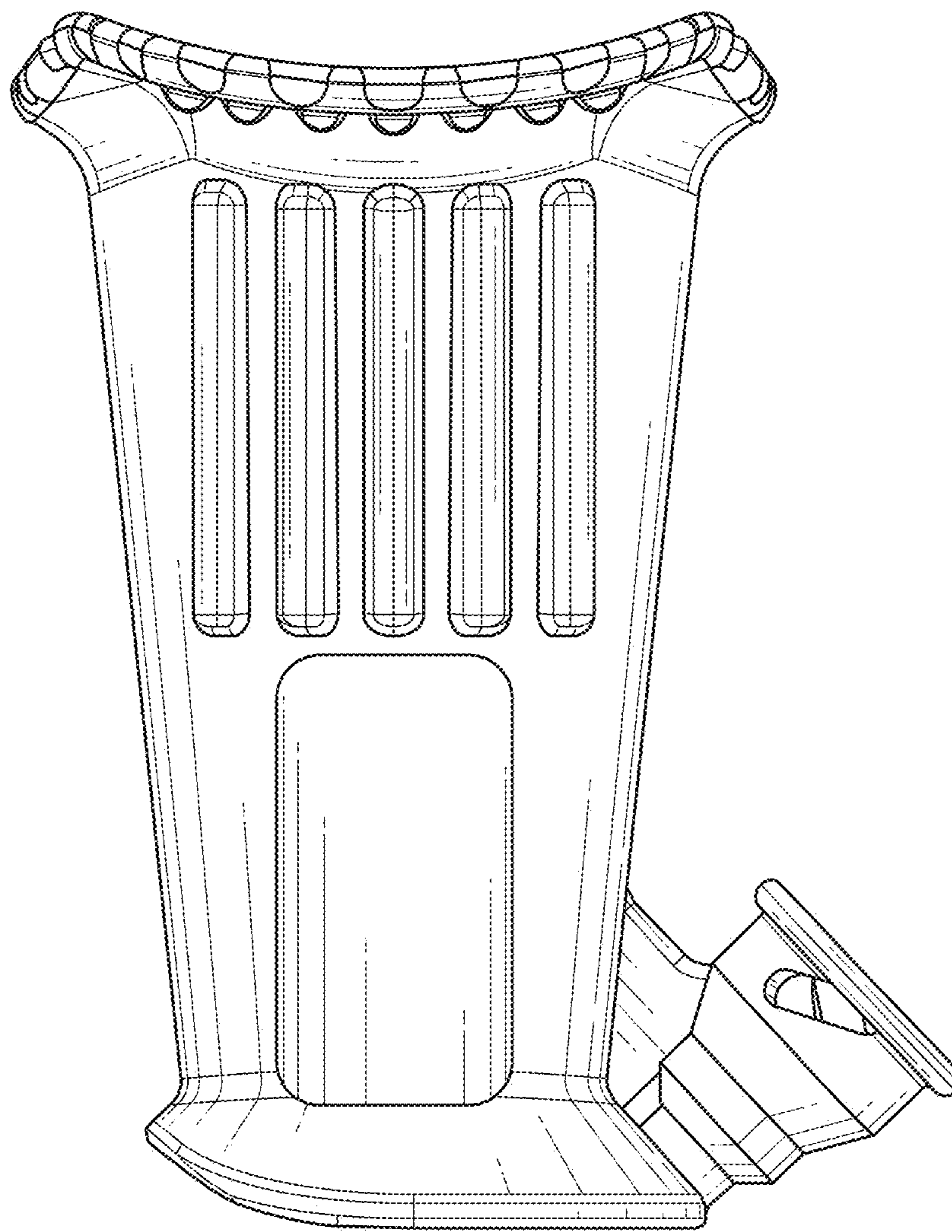


FIG. 3

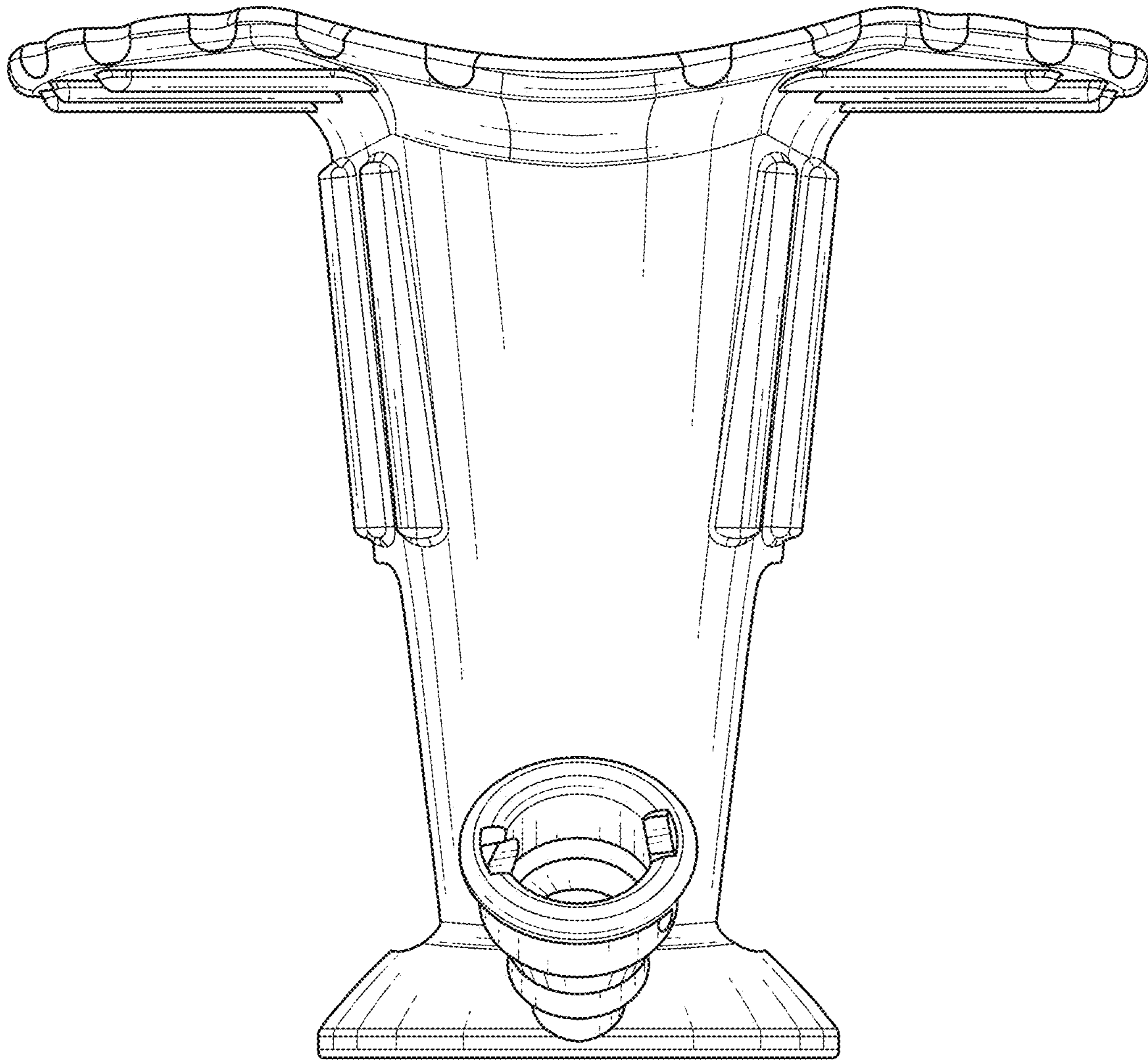


FIG. 4

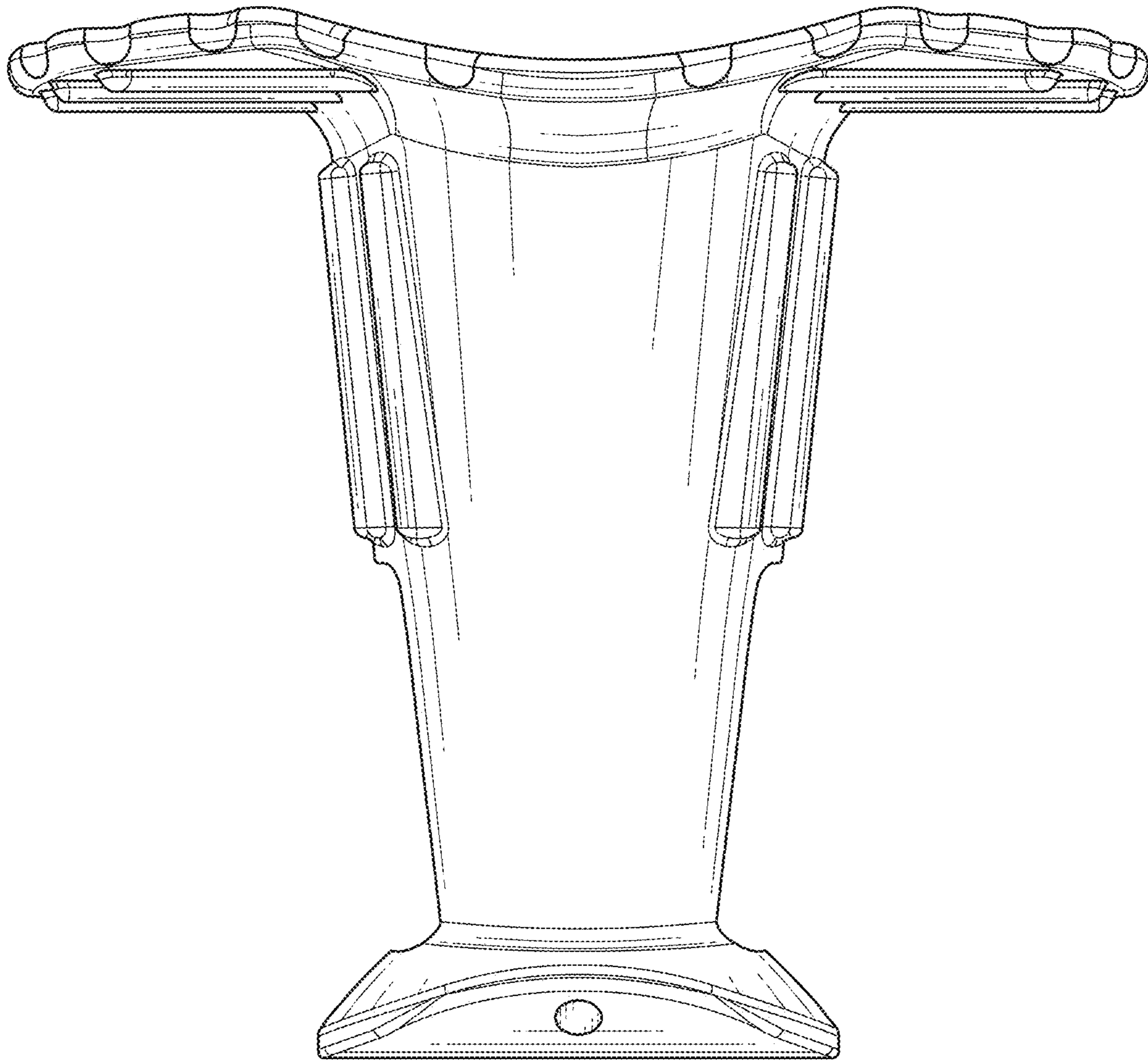


FIG. 5

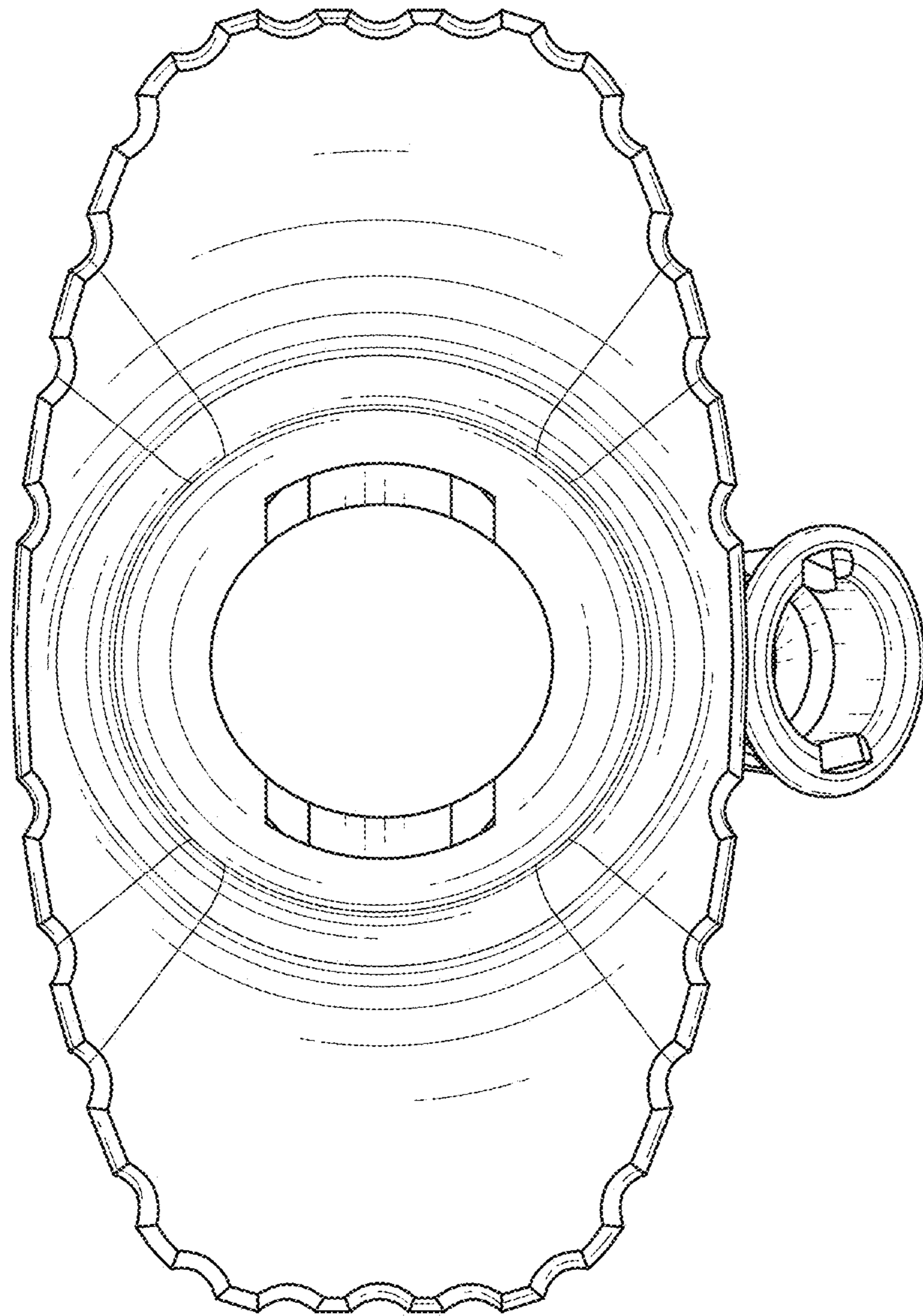


FIG. 6

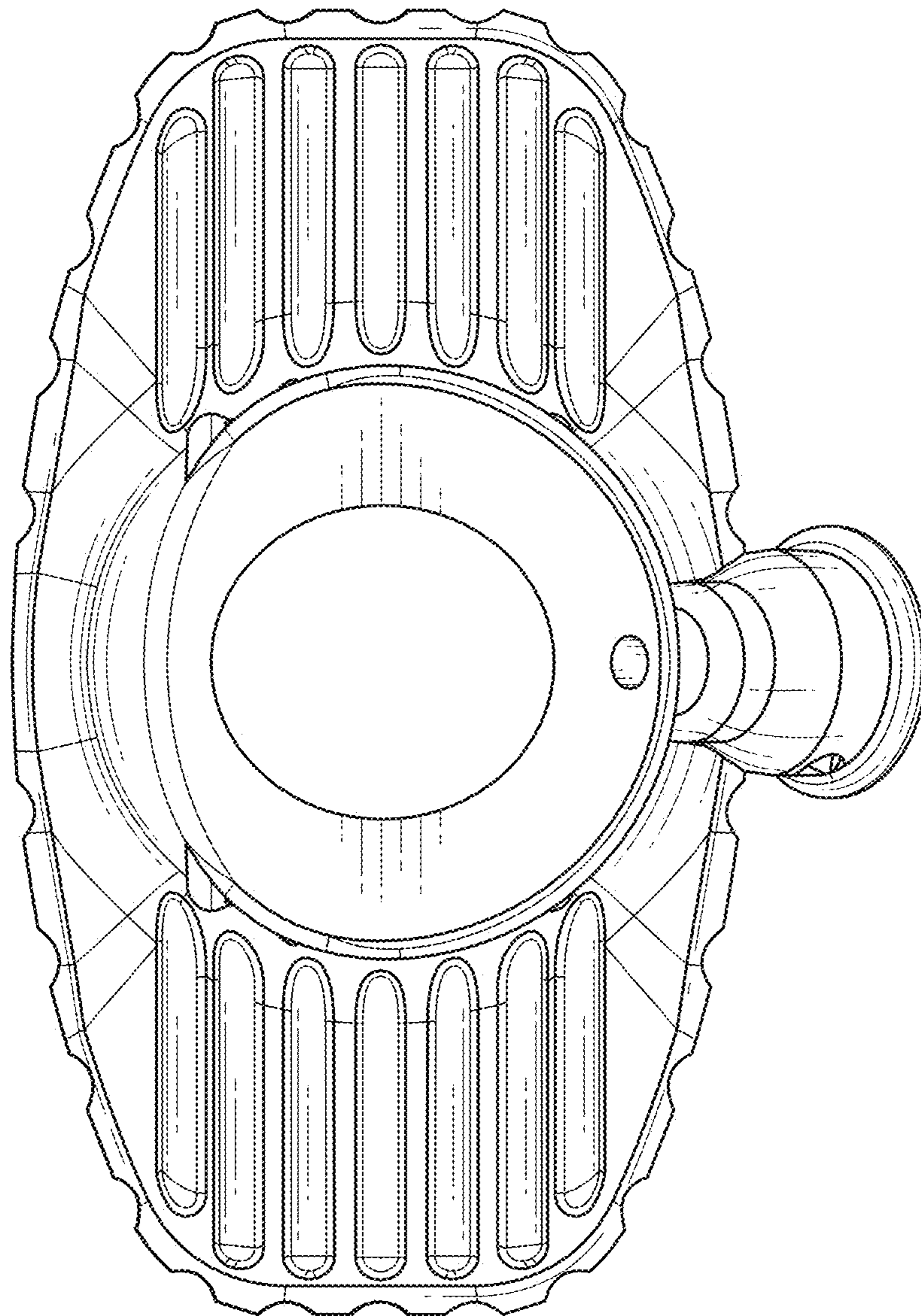


FIG. 7