



US00D878574S

(12) **United States Design Patent** (10) **Patent No.:** **US D878,574 S**
Malin et al. (45) **Date of Patent:** **** Mar. 17, 2020**

- (54) **ENEMA BOTTLE WITH PERFORATED SHRINK-WRAPPED TAMPER SEAL**
- (71) Applicant: **Medline Industries, Inc.**, Mundelein, IL (US)
- (72) Inventors: **Donald Malin**, Lake Zurich, IL (US); **Kenneth S. Chua**, Glenview, IL (US)
- (73) Assignee: **MEDLINE INDUSTRIES, INC.**, Mundelein, IL (US)
- (**) Term: **15 Years**
- (21) Appl. No.: **29/659,251**
- (22) Filed: **Aug. 7, 2018**

Related U.S. Application Data

- (62) Division of application No. 29/556,573, filed on Mar. 1, 2016, now Pat. No. Des. 825,054, which is a division of application No. 29/460,900, filed on Jul. 16, 2013, now Pat. No. Des. 750,771.
- (51) **LOC (12) Cl.** **24-04**
- (52) **U.S. Cl.**
USPC **D24/121**
- (58) **Field of Classification Search**
USPC D24/121, 112, 113, 115, 133, 186, 130, D24/127, 129, 108, 107; 600/400, 600/473-476, 101, 139, 143; 606/15-16, 606/181, 185; 604/264, 280, 256, 164, 604/283, 174, 279, 275, 278; 128/200.24, 128/207.14, 207.15; D9/718, 719, 724, D9/732, 302, 367, 389, 403, 413, 416, D9/447, 434, 435, 516, 523, 526, 530, D9/537, 540, 545, 549, 682, 686, D9/688-690, 723; 215/1 R, 1 C, 14, 215/12.1; 220/771, 738, 234, 737, 574; D7/507, 509, 510, 51, 512, 518, 521, 533,

(Continued)

(56) **References Cited**
U.S. PATENT DOCUMENTS

- 2,848,997 A 8/1958 Miskel et al.
D216,362 S 12/1969 McIlroy
3,486,503 A 12/1969 Porter et al.
(Continued)

OTHER PUBLICATIONS

Medline, Pure & Gentle Disposable Saline Enema, May 14, 2015, <http://www.medline.com/product/Medline-Pure-Gentle-Disposable-Saline-Enema/Z05-PF37546>.

Primary Examiner — Nathan M Johnston

(74) *Attorney, Agent, or Firm* — McAndrews, Held & Malloy, Ltd.

(57) **CLAIM**

The ornamental design for an enema bottle with perforated shrink-wrapped tamper seal, as shown and described.

DESCRIPTION

FIG. 1 is a front perspective view of an enema bottle with perforated shrink-wrapped tamper seal showing our new design;

FIG. 2 is a front elevation view thereof;

FIG. 3 is a rear elevation view thereof;

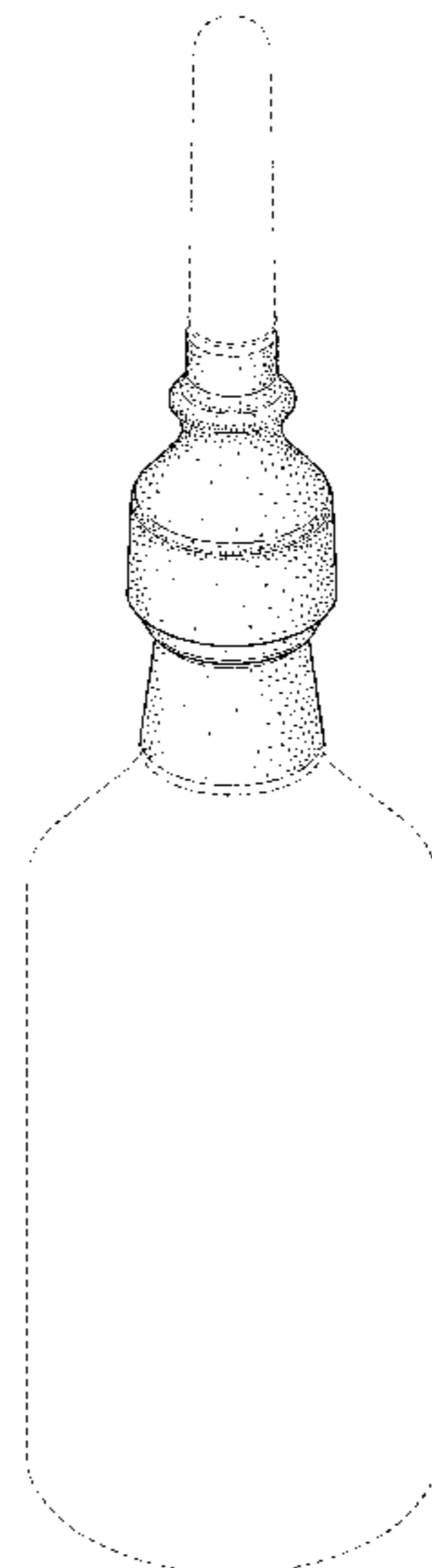
FIG. 4 is a left-side elevation view thereof;

FIG. 5 is a right-side elevation view thereof; and,

FIG. 6 is a top plan view thereof.

The broken lines in the drawings show portions of the enema bottle with perforated shrink-wrapped tamper seal that form no part of the claimed design. The stippling is meant to represent the appearance of a shrink-wrapped portion. The parallel dotted lines on the shrink-wrapped portion represent perforations and form part of the claimed design. The dashed lines immediately adjacent to the shaded areas in the figures represent the boundaries of the claimed design.

1 Claim, 4 Drawing Sheets



US D878,574 S

(58) **Field of Classification Search**
 USPC D7/536, 300, 598, 312, 316, 317, 608,
 D7/300.1; D12/411, 114
 CPC A61M 3/0262; A61M 3/0279; A61M
 2210/1064
 See application file for complete search history.

D558,673 S 1/2008 Easley
 D559,397 S 1/2008 Eriksson et al.
 7,316,679 B2 1/2008 Bierman
 7,377,553 B2 * 5/2008 Takayanagi F16L 37/0987
 285/307
 D570,457 S * 6/2008 Brown D23/262
 7,546,857 B2 * 6/2009 Chadbourne B67D 1/0835
 137/614.04

(56) **References Cited**
 U.S. PATENT DOCUMENTS

D240,596 S 7/1976 Brown
 D251,203 S 2/1979 Williamson
 4,223,814 A 9/1980 Sneider
 4,752,288 A 6/1988 Hussey
 D311,296 S 10/1990 Santoiemmo
 D312,774 S 12/1990 Tacconelli
 D317,203 S 5/1991 Walsh
 D318,233 S 7/1991 Ackerman
 D326,812 S 6/1992 Noakes et al.
 D327,016 S 6/1992 Leuenberger
 D330,081 S 10/1992 Walsh
 D341,205 S 11/1993 Greenley
 D344,662 S 3/1994 Dittman
 5,353,836 A * 10/1994 deCler B67D 1/0835
 137/614.03
 D372,070 S * 7/1996 Zak 210/359
 D382,639 S 8/1997 Musgrave et al.
 5,941,815 A 8/1999 Chang
 D413,967 S * 9/1999 Yuen D23/262
 D416,086 S 11/1999 Parris et al.
 5,984,378 A * 11/1999 Ostrander F16L 37/0985
 285/319
 D421,496 S 3/2000 Hellstrom et al.
 D425,195 S * 5/2000 Hellstrom D24/115
 D426,068 S * 6/2000 An D4/116
 6,110,150 A 8/2000 Singo et al.
 D447,561 S 9/2001 Rudzena et al.
 D447,798 S 9/2001 Rudzena et al.
 D448,077 S 9/2001 Rudzena et al.
 6,308,846 B1 10/2001 Müller
 6,364,473 B1 4/2002 Liu
 D466,553 S 12/2002 Yan
 D468,640 S 1/2003 Mitchell et al.
 D470,052 S * 2/2003 Klutts D9/447
 D470,818 S 2/2003 Cheng
 D490,315 S * 5/2004 Kiser 206/219
 D524,648 S 7/2006 Feist et al.
 D524,649 S 7/2006 Samartgis
 D551,569 S 9/2007 Tanaka

D601,908 S 10/2009 Yun
 D602,128 S * 10/2009 Williams D23/262
 D633,384 S * 3/2011 Tanaka D9/447
 D641,469 S 7/2011 Ruiz et al.
 D642,244 S * 7/2011 Wilhelm D23/262
 D673,058 S 12/2012 Park
 D692,319 S 10/2013 Moreau
 D699,841 S 2/2014 Lombardi et al.
 D707,566 S 6/2014 Serrano et al.
 D713,522 S 9/2014 Woehr et al.
 D726,364 S 4/2015 Weigensberg et al.
 D748,783 S * 2/2016 Zhang D24/133
 D779,056 S 2/2017 Brannon
 D786,076 S * 5/2017 Redondo D9/500
 D788,295 S 5/2017 Holmström
 D799,747 S 10/2017 Champion
 D815,530 S * 4/2018 Paredes D9/500
 D844,236 S * 3/2019 Tidnam D27/169
 2006/0106374 A1 5/2006 Moran
 2006/0116553 A1 6/2006 Dunki-Jacobs et al.
 2007/0005025 A1 1/2007 Cox
 2007/0025811 A1 * 2/2007 Wilhelm F16L 37/34
 403/300
 2007/0029796 A1 * 2/2007 Bibby F16L 37/0982
 285/308
 2007/0169825 A1 * 7/2007 Packham A61M 39/10
 137/614.05
 2008/0129047 A1 * 6/2008 Blivet F16L 37/0982
 285/308
 2009/0127847 A1 * 5/2009 Hagen F16L 37/088
 285/26
 2010/0106147 A1 4/2010 Boitor et al.
 2010/0276922 A1 * 11/2010 Rehder F16L 37/0841
 285/26
 2011/0077603 A1 3/2011 Mehta
 2012/0012595 A1 1/2012 Yourist
 2015/0150306 A1 * 6/2015 Chen A24F 47/008
 131/329
 2016/0113327 A1 * 4/2016 Wu H05B 3/06
 131/329

* cited by examiner

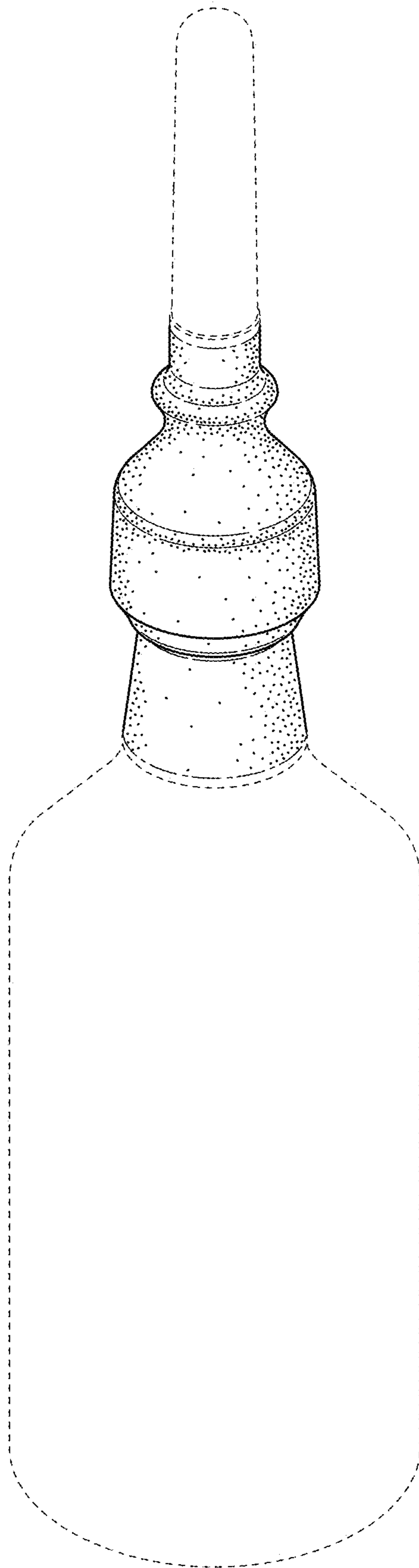


FIG. 1

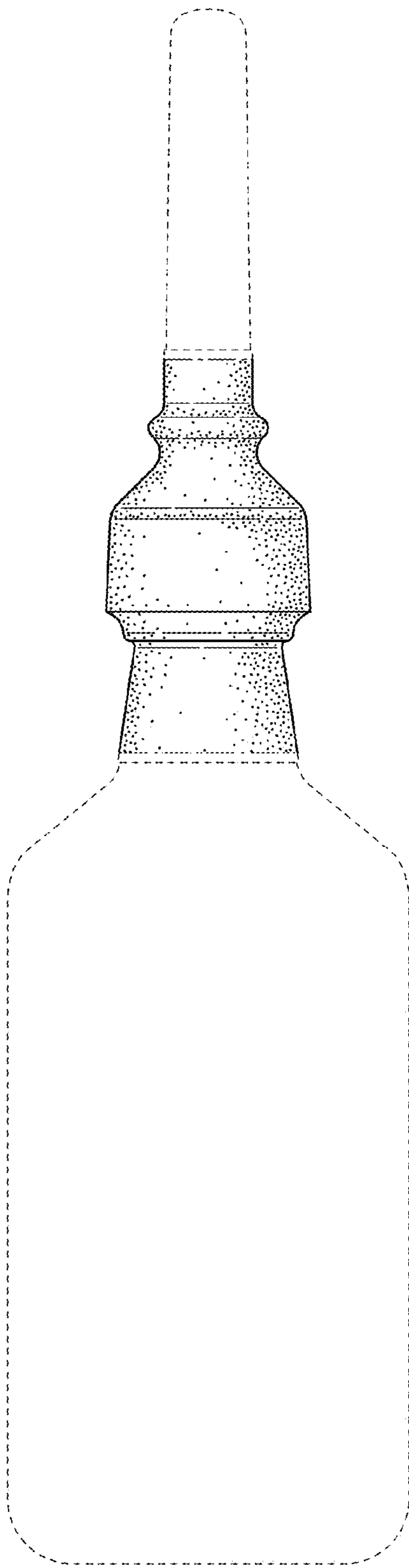


FIG. 2

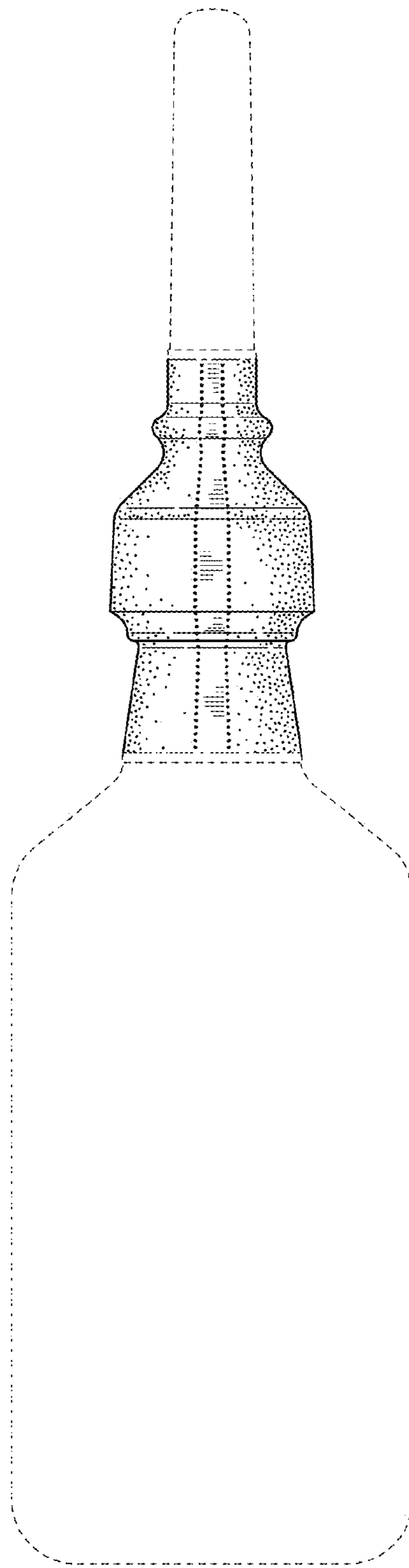


FIG. 3

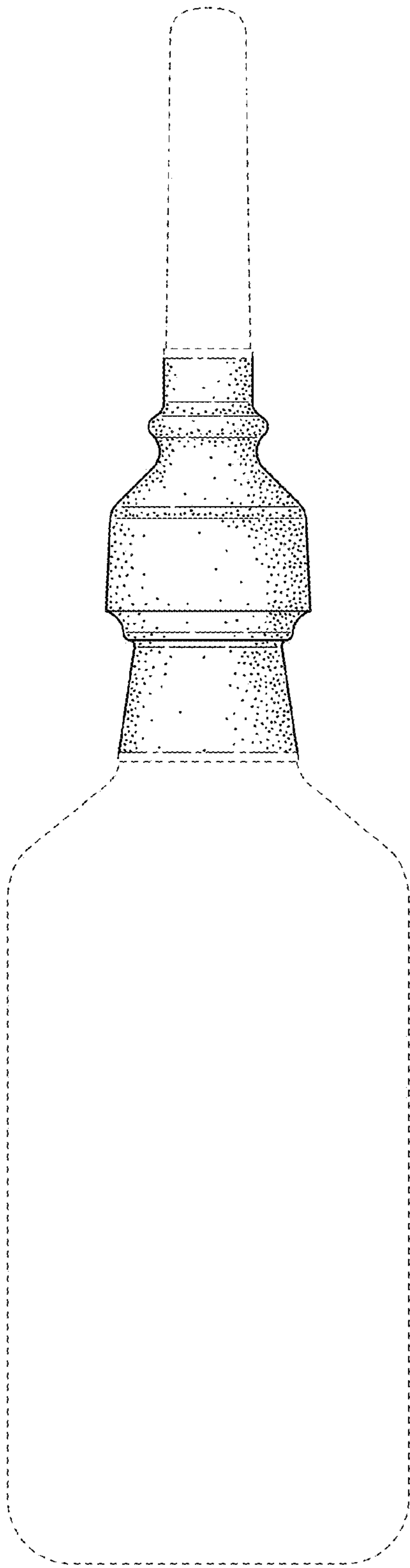


FIG. 4

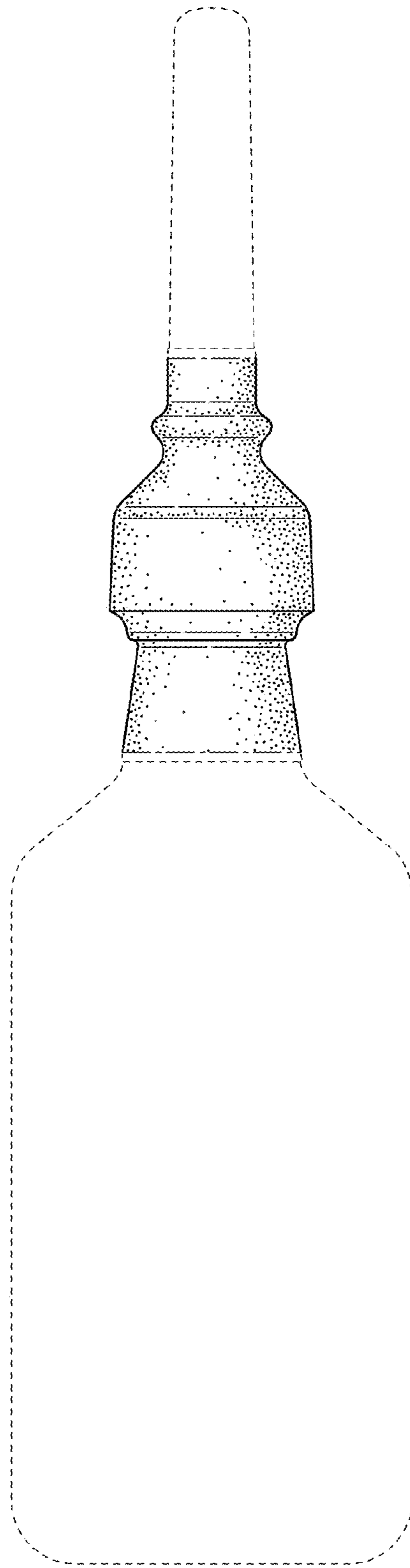


FIG. 5

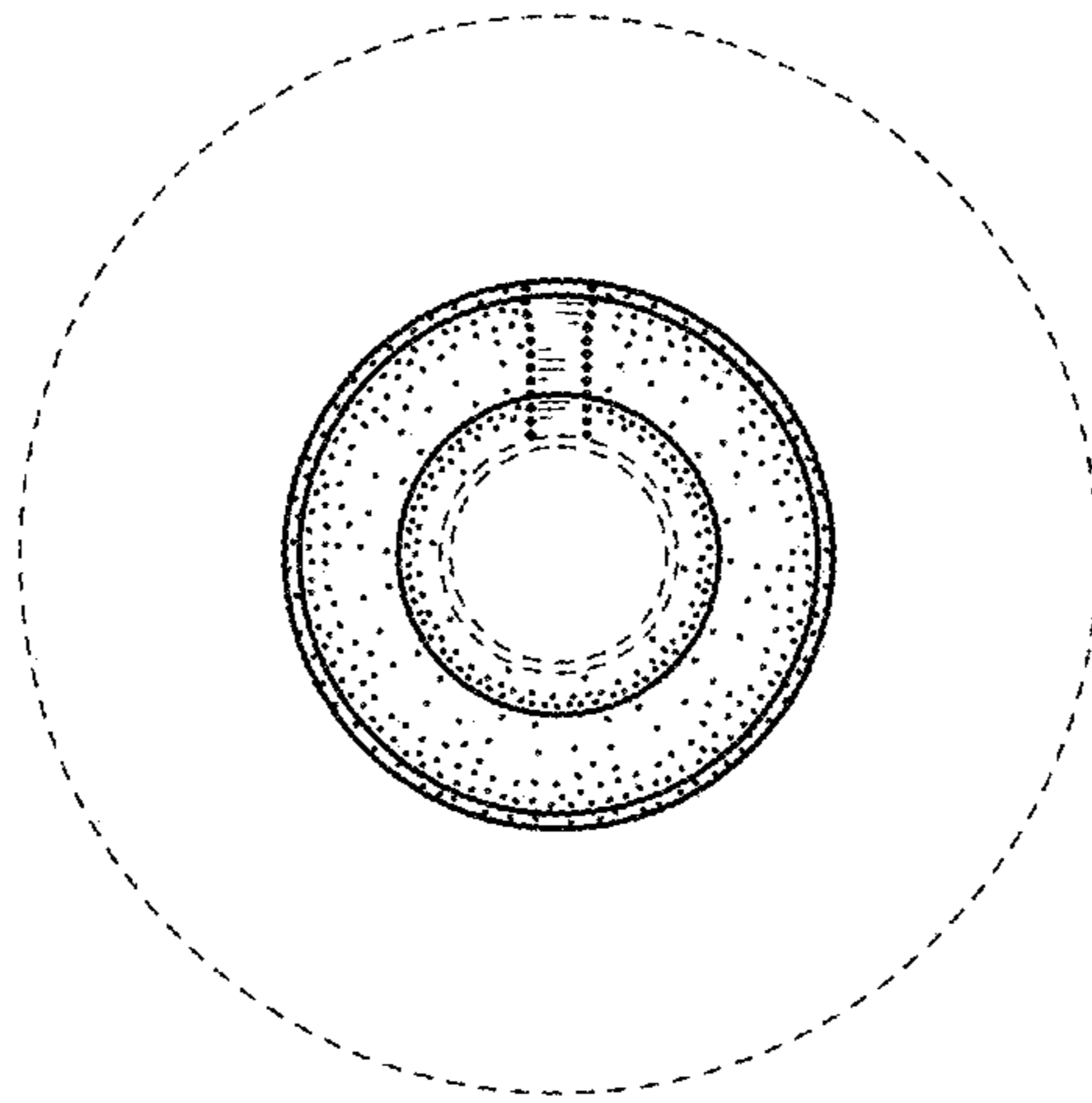


FIG. 6