



US00D878573S

(12) **United States Design Patent** (10) **Patent No.:** **US D878,573 S**  
**Luebbers et al.** (45) **Date of Patent:** **\*\* Mar. 17, 2020**

(54) **DOSING CUP**  
(71) Applicant: **The Procter & Gamble Company**,  
Cincinnati, OH (US)

D672,457 S \* 12/2012 Foley ..... D24/123  
8,613,563 B2 12/2013 Chawla et al.  
D729,932 S \* 5/2015 Riordan ..... D24/121  
(Continued)

(72) Inventors: **Signe Christina Luebbers**, Liberty  
Township, OH (US); **Herman William  
Meyer**, West Harrison, IN (US); **Jose  
Juan Fuentes, Jr.**, West Chester, OH  
(US)

**OTHER PUBLICATIONS**

U.S. Appl. No. 29/627,851, filed Nov. 30, 2017, Joseph Allen  
Berlepsch.

(Continued)

(73) Assignee: **The Procter & Gamble Company**,  
Cincinnati, OH (US)

*Primary Examiner* — David G Muller

(74) *Attorney, Agent, or Firm* — Andrés E. Velarde

(\*\*) Term: **15 Years**

(57) **CLAIM**

The ornamental design for a dosing cup, as shown and  
described.

(21) Appl. No.: **29/627,852**

**DESCRIPTION**

(22) Filed: **Nov. 30, 2017**

(51) **LOC (12) Cl.** ..... **24-02**

(52) **U.S. Cl.**  
USPC ..... **D24/121**

(58) **Field of Classification Search**  
USPC ..... D24/121, 123, 224; 604/317–325  
CPC ..... B65D 41/04; B65D 2251/023; B65D  
41/0485; B65D 41/3428  
See application file for complete search history.

FIG. 1 is a front perspective view of a first embodiment of  
a dosing cup embodying our new design;  
FIG. 2 is a front elevation view of the dosing cup;  
FIG. 3 is a left side elevation view of the dosing cup;  
FIG. 4 is a rear elevation view of the dosing cup;  
FIG. 5 is a right side elevation view of the dosing cup;  
FIG. 6 is a top plan view of the dosing cup;  
FIG. 7 is a bottom plan view of the dosing cup;  
FIG. 8 is a front perspective view of a second embodiment  
of a dosing cup embodying our new design;  
FIG. 9 is a front elevation view of the dosing cup;  
FIG. 10 is a left side elevation view of the dosing cup;  
FIG. 11 is a rear elevation view of the dosing cup;  
FIG. 12 is a right side elevation view of the dosing cup;  
FIG. 13 is a top view of the dosing cup; and,  
FIG. 14 is a bottom view of the dosing cup.

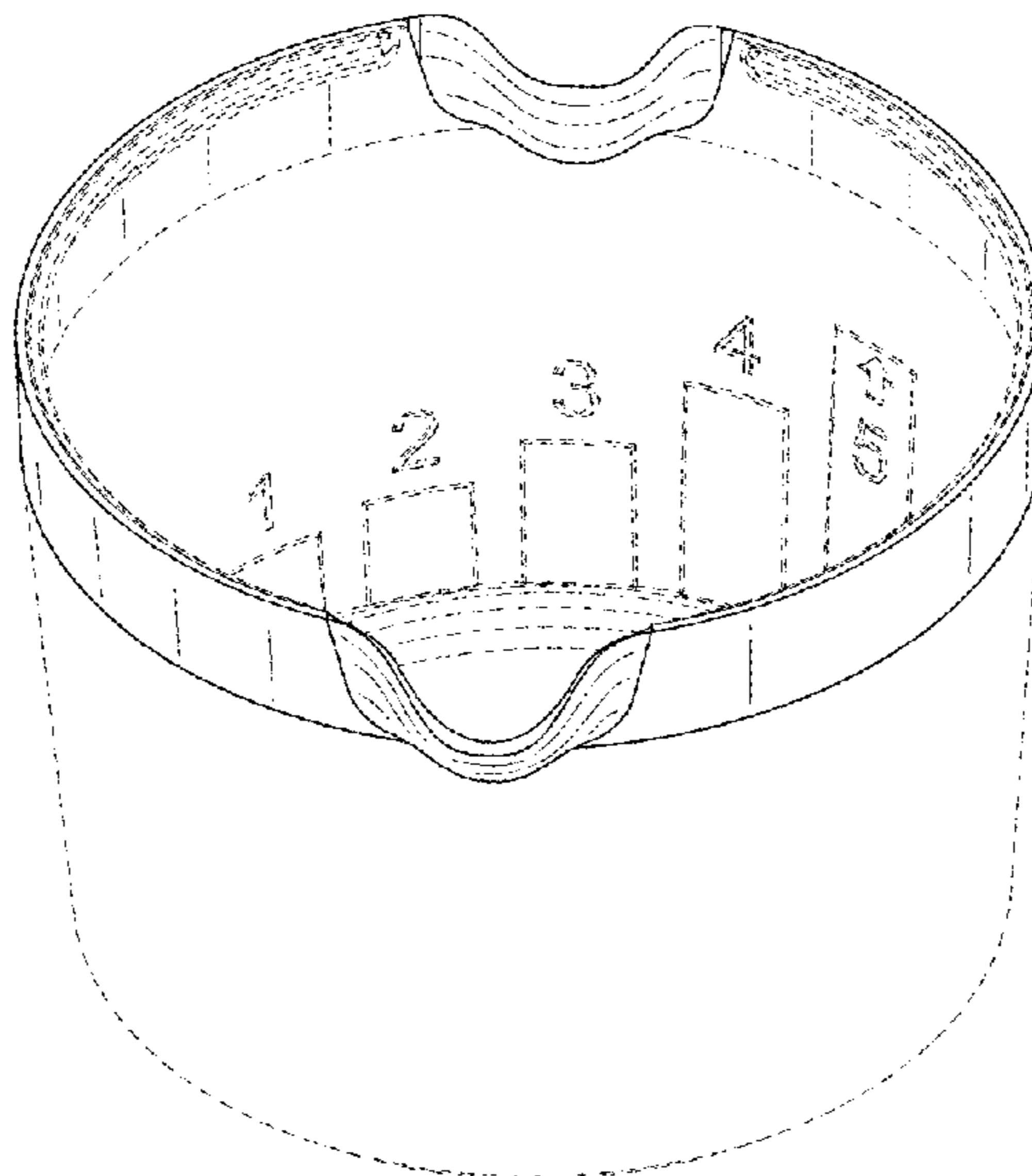
Any broken lines shown in the drawings are for illustrative  
purposes only and form no part of the claimed design.  
Certain features currently not in broken lines may be placed  
into broken lines in other embodiments while other features  
in broken lines may be placed in solid lines in other  
embodiments.

(56) **References Cited**

**U.S. PATENT DOCUMENTS**

5,181,630	A	1/1993	McNally	
5,228,596	A	7/1993	McNally	
6,375,041	B1	4/2002	Klima et al.	
D481,946	S *	11/2003	Nicholson	D24/224
D490,707	S *	6/2004	Mataya	D24/224
D568,989	S *	5/2008	Kammer	D24/123
D580,798	S	11/2008	Barber	
D605,754	S *	12/2009	Nelson	D24/121
D608,206	S	1/2010	Kopulos et al.	
D668,331	S *	10/2012	Ren	D24/123
D669,979	S *	10/2012	Adams	D24/123

**1 Claim, 6 Drawing Sheets**



(56)

**References Cited**

U.S. PATENT DOCUMENTS

D746,979 S \* 1/2016 Dominguez ..... D24/121  
D759,836 S \* 6/2016 Wainwright ..... D24/216  
D767,158 S \* 9/2016 Wang ..... D24/223  
D773,683 S \* 12/2016 Kuroda ..... D24/224  
9,821,932 B2 11/2017 Quinn et al.  
D816,213 S \* 4/2018 Adams, III ..... D24/123

OTHER PUBLICATIONS

D2673\_Photos-caps, Dec. 11, 2017, Photographs of caps—Ariel, Woolite & Tide. Photographs of a dosing ball sold with a Henkel Persil Gold 1.5L bottle that was purchased Sep. 2009 and Pedia Care products.

\* cited by examiner

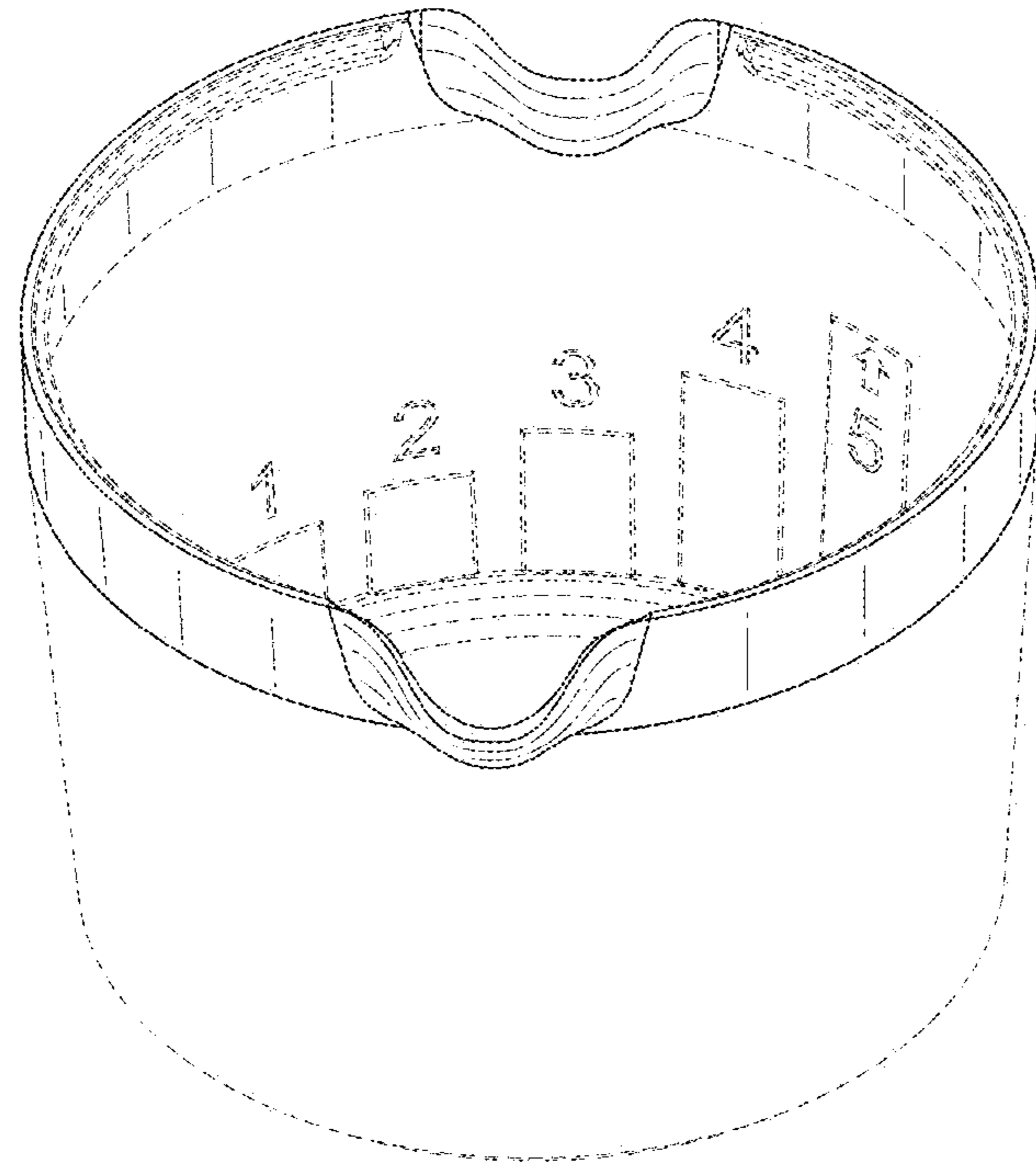


FIG. 1

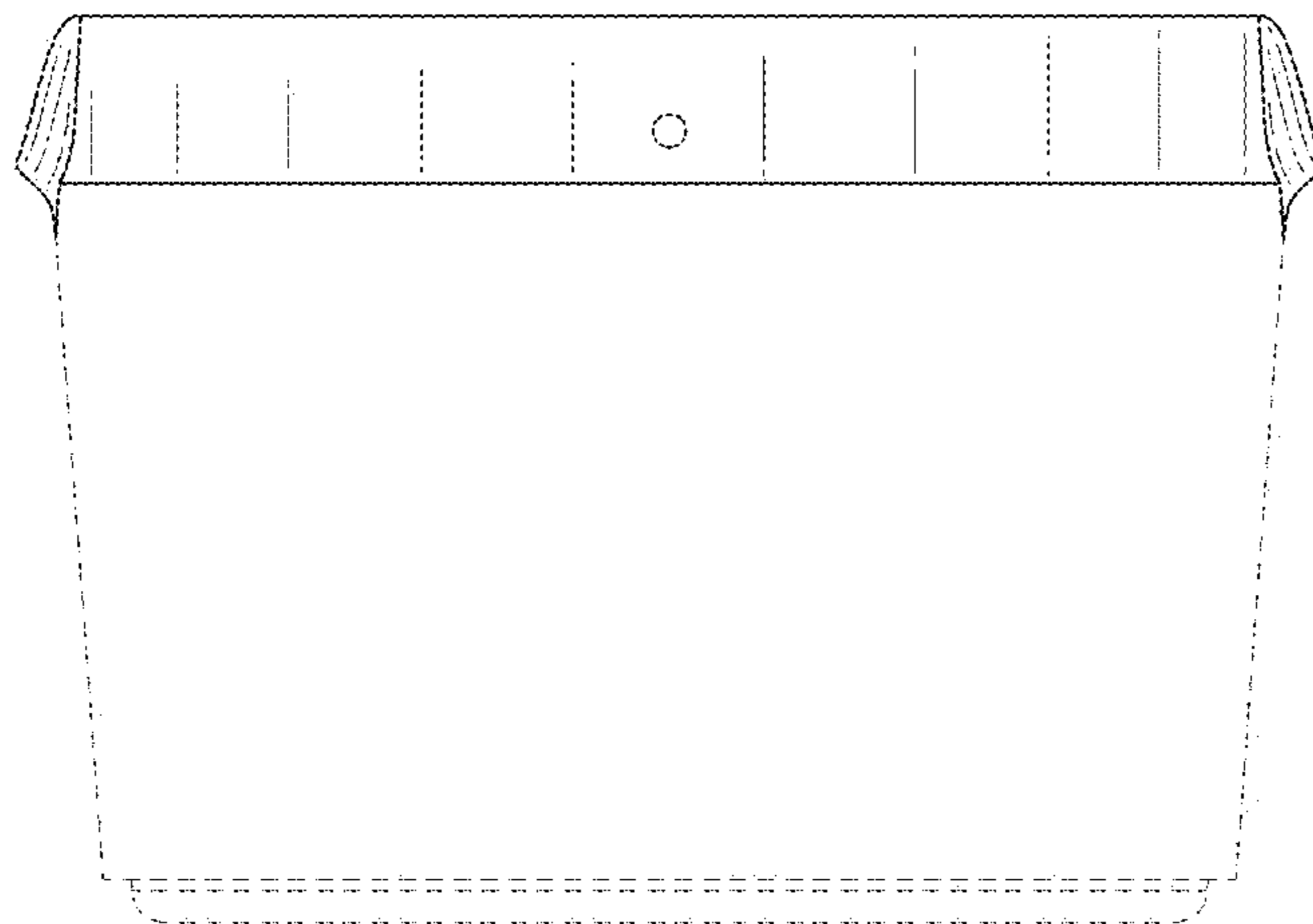


FIG. 2

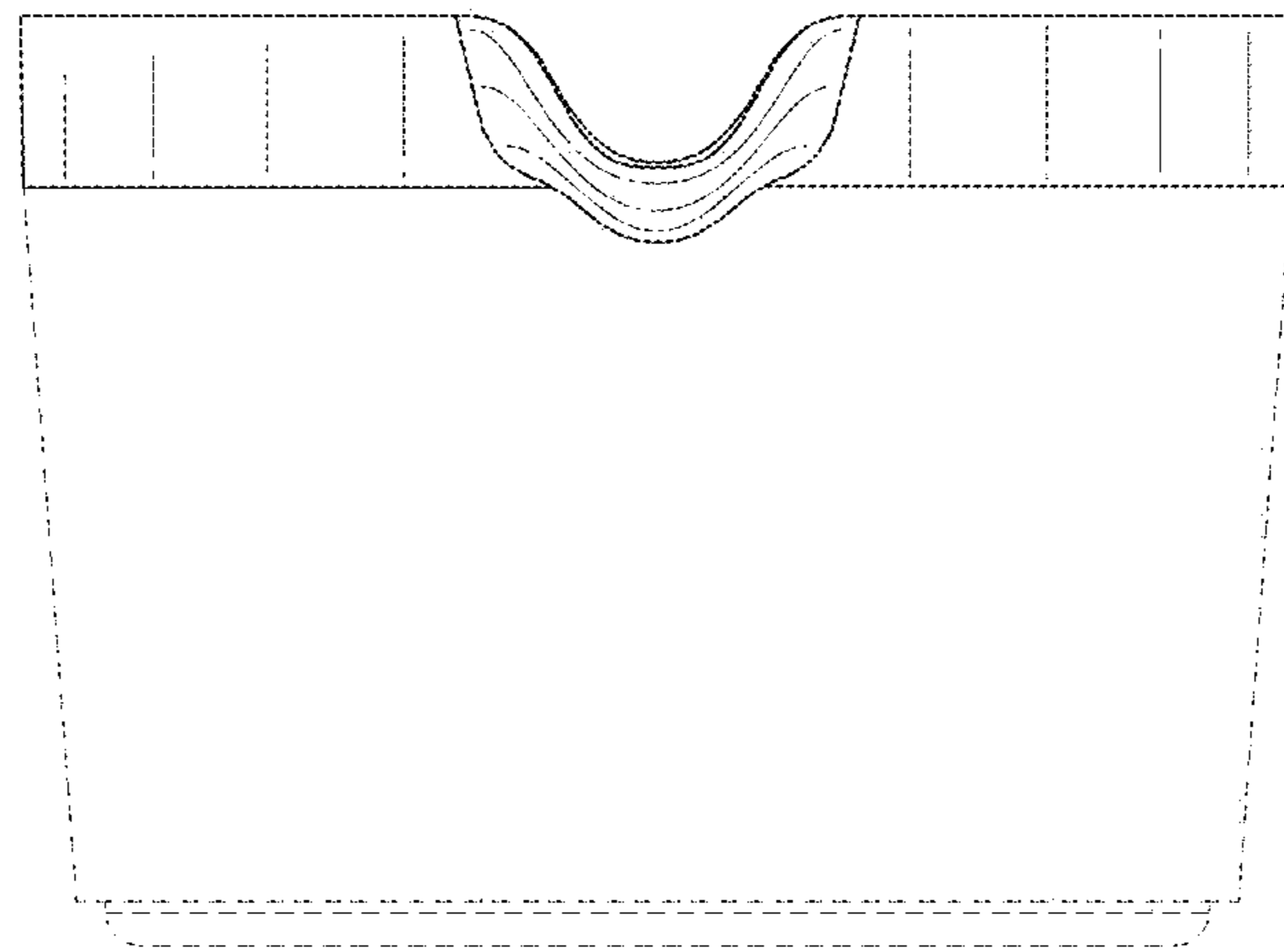


FIG. 3

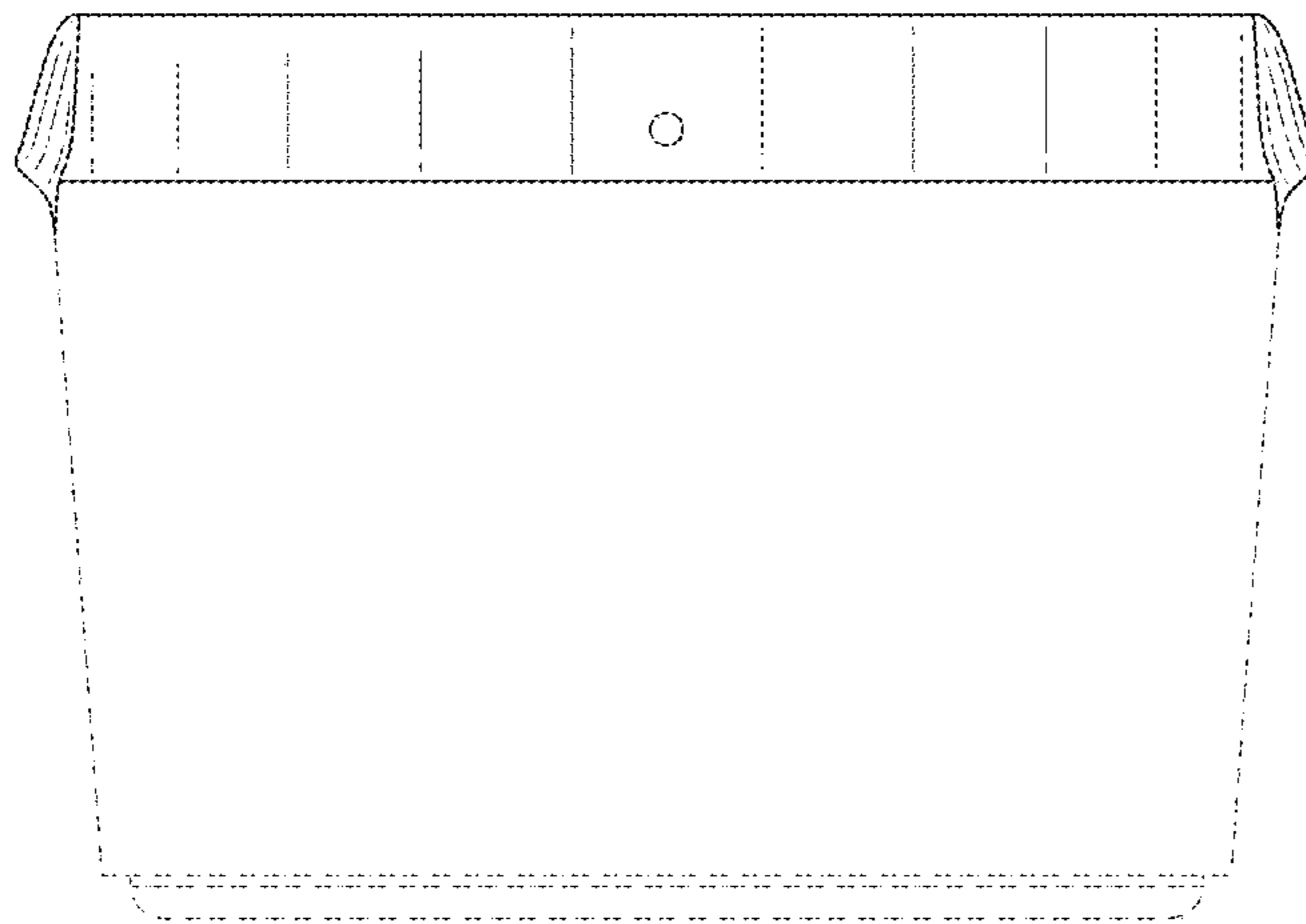


FIG. 4

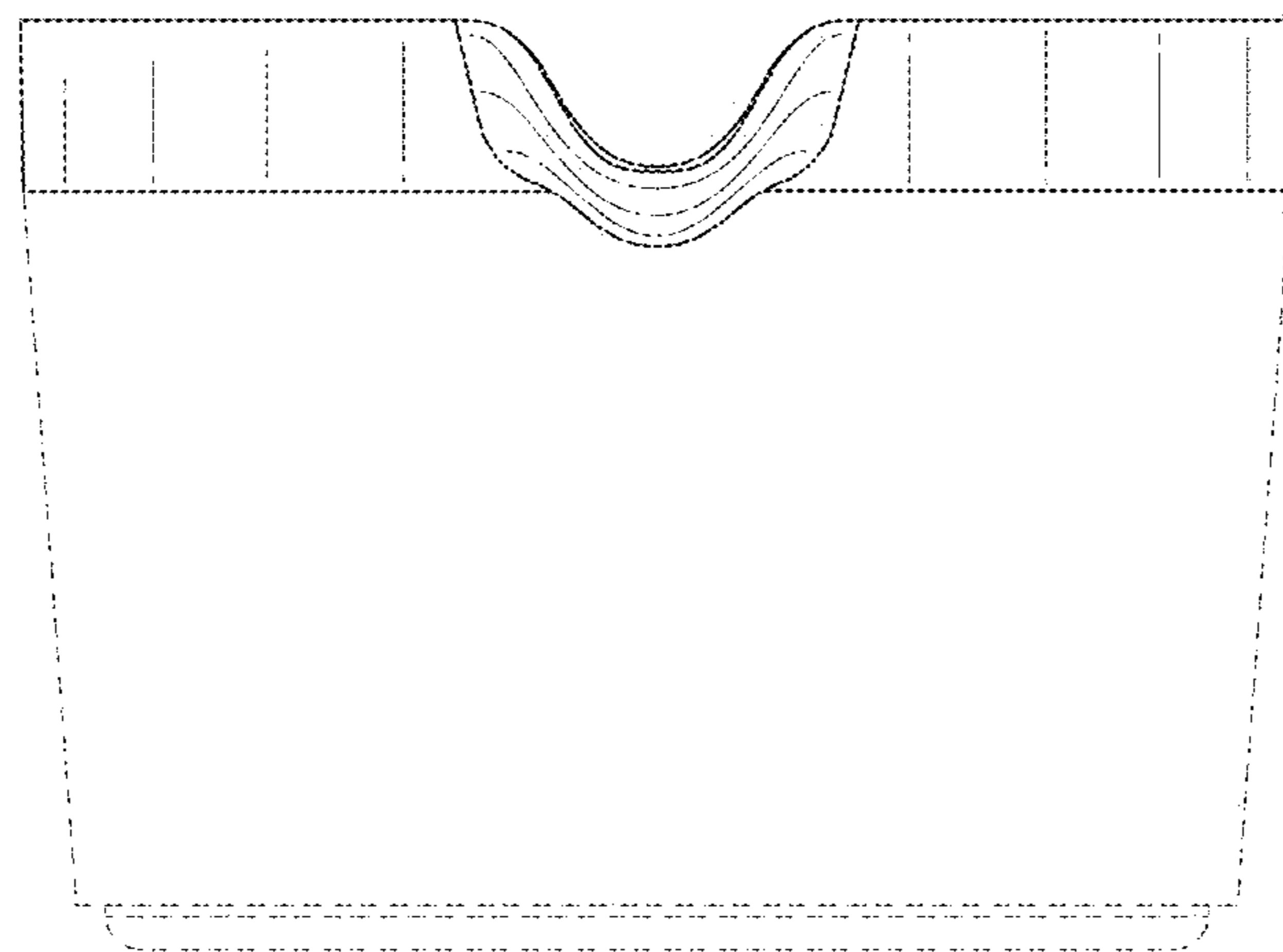


FIG. 5

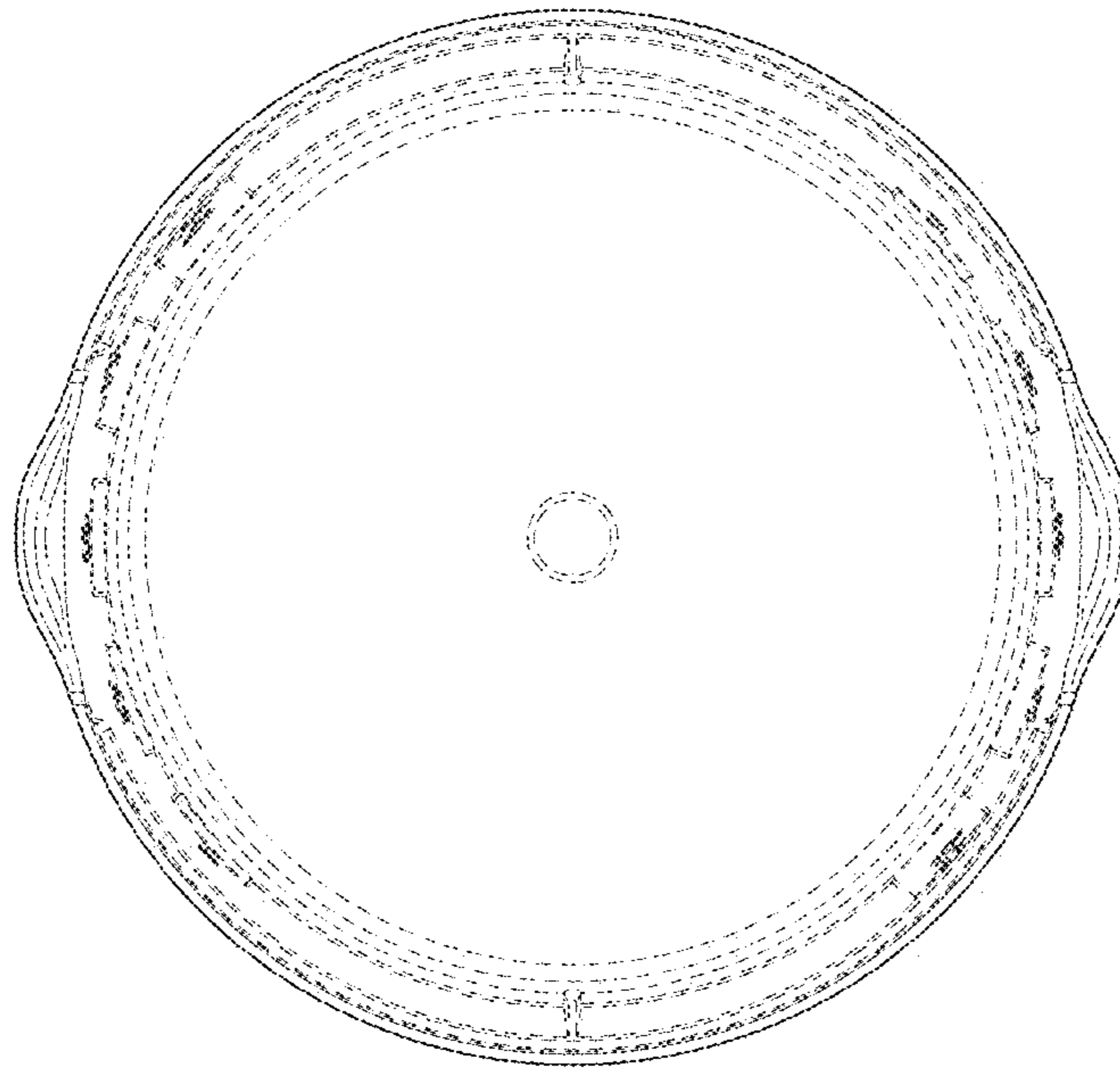


FIG. 6

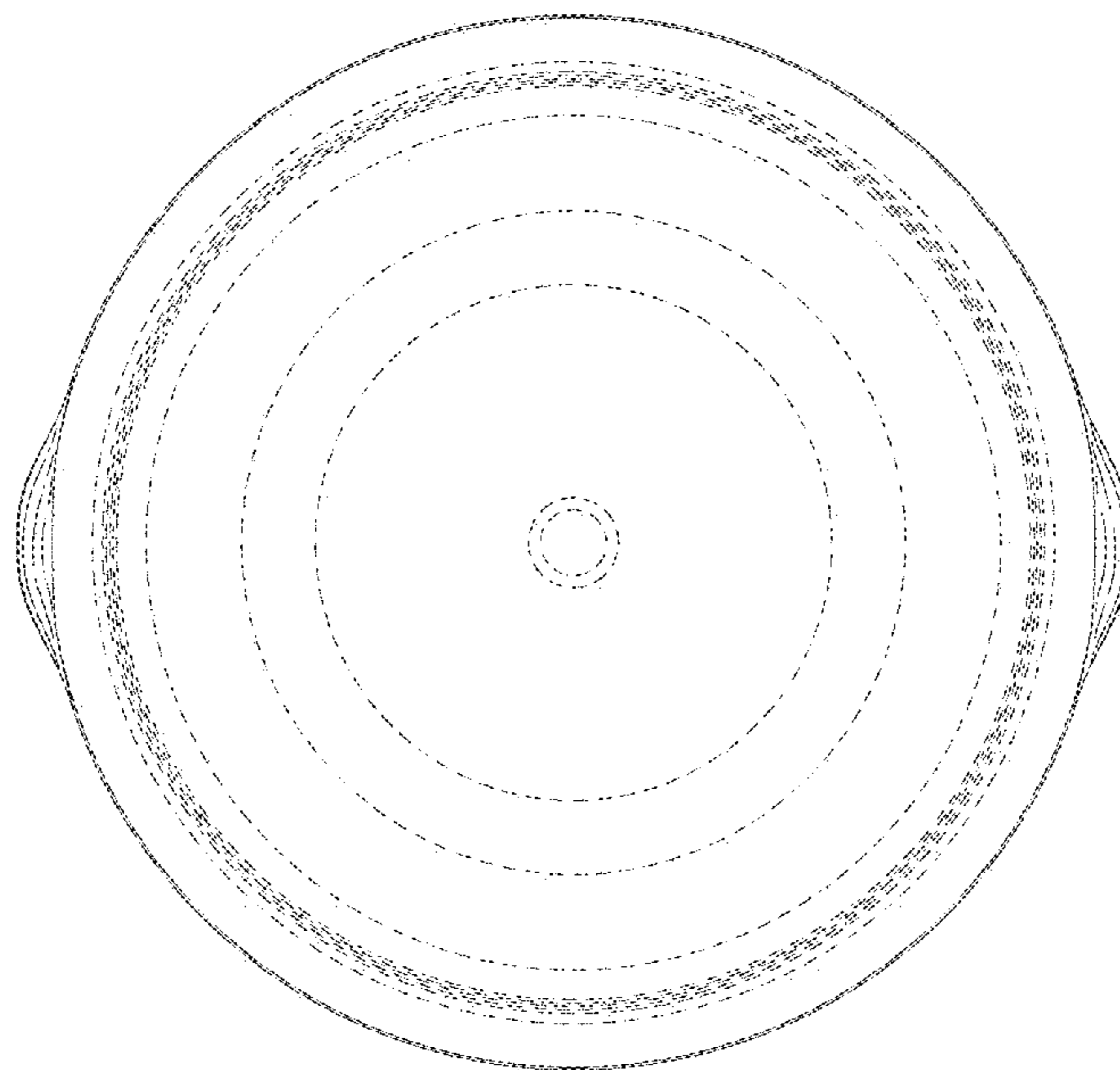


FIG. 7

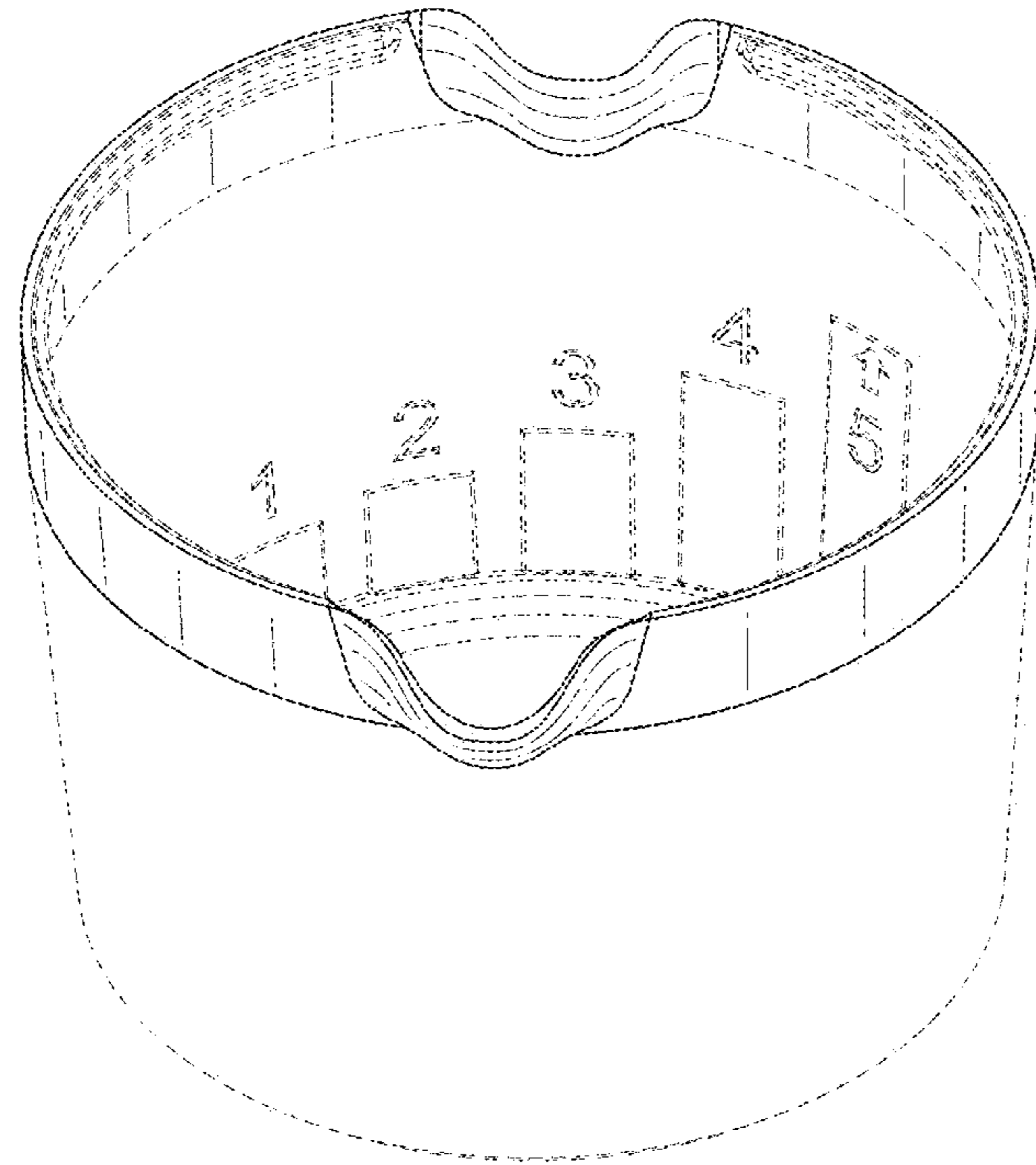


FIG. 8

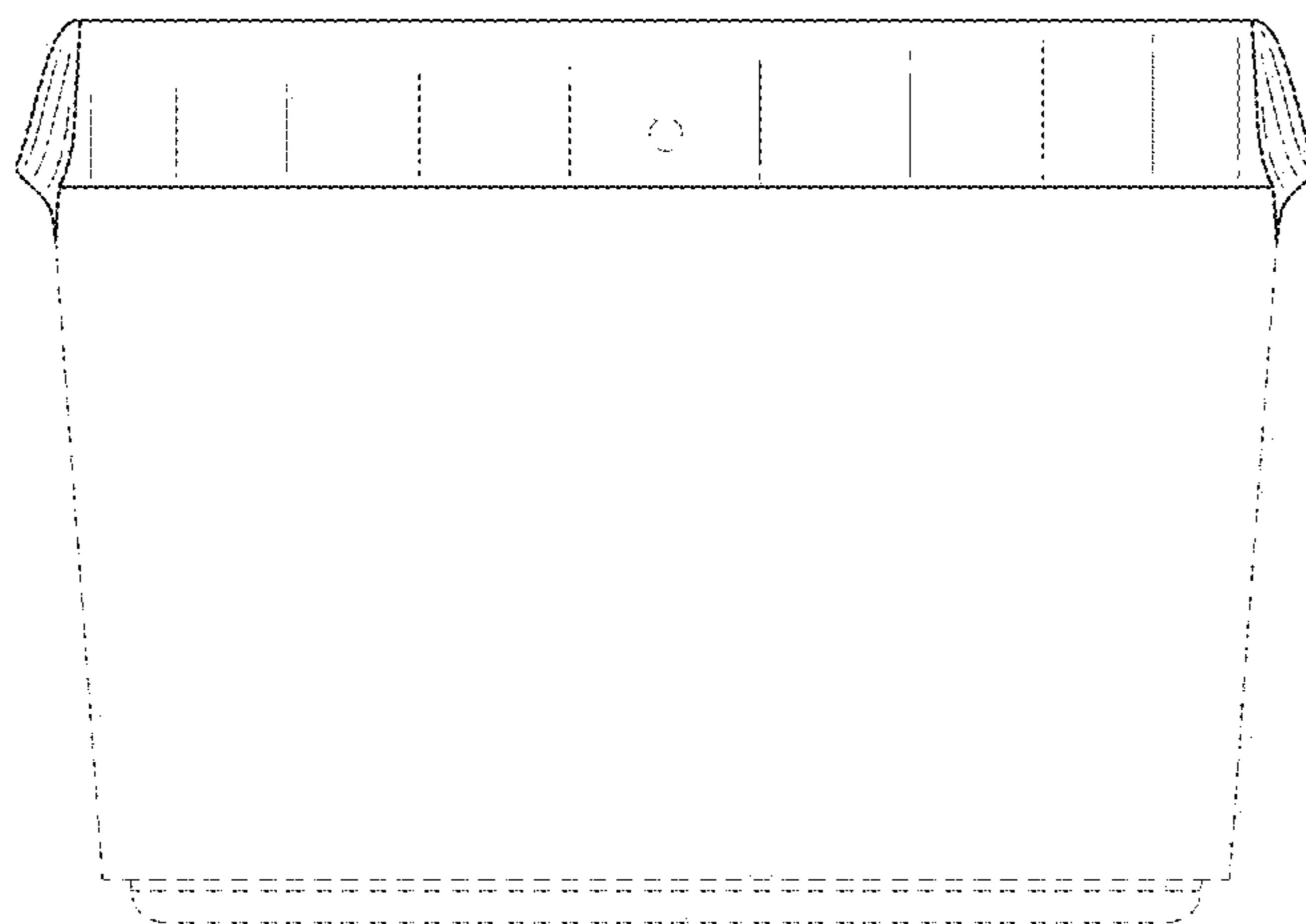


FIG. 9

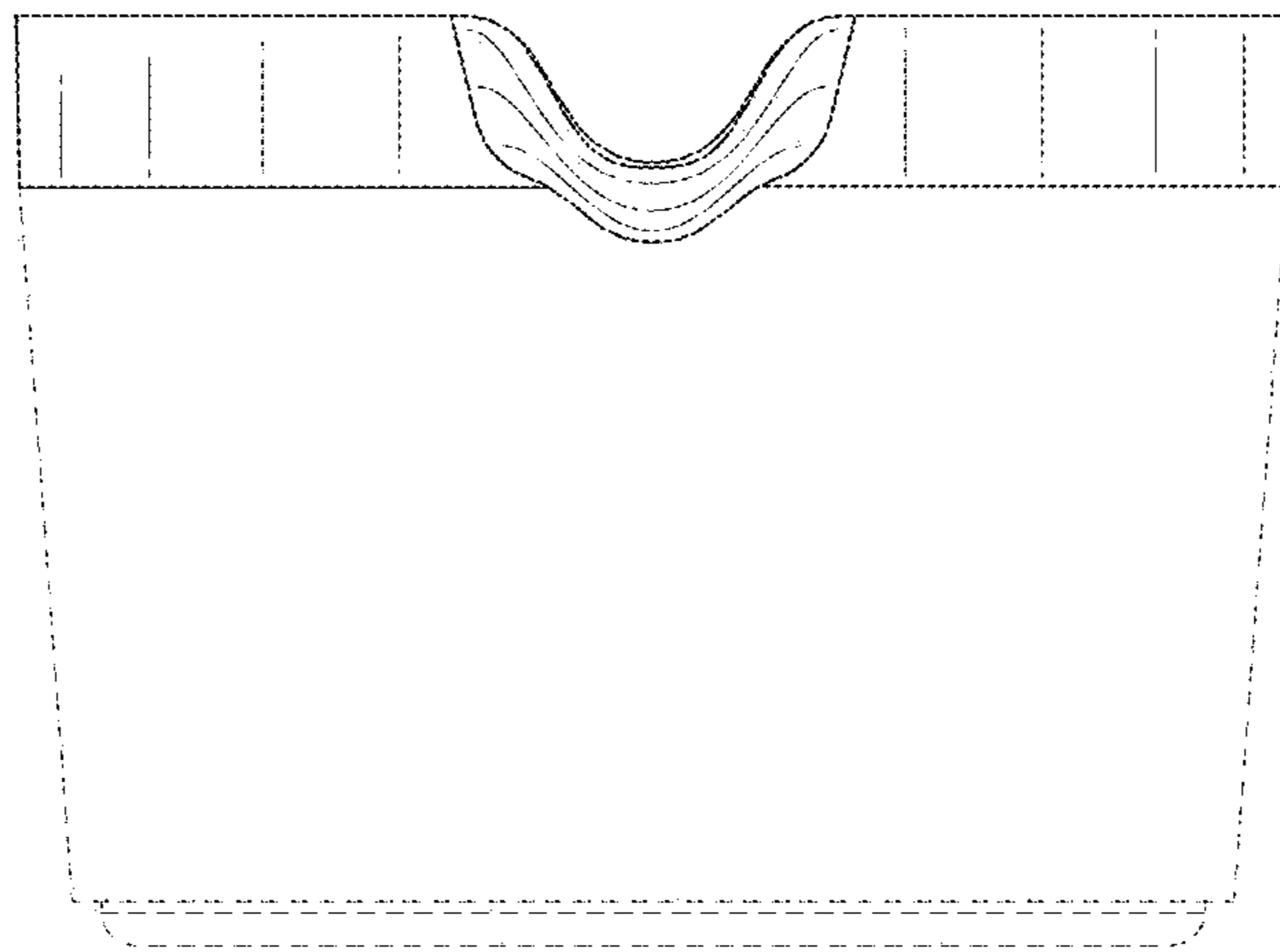


FIG. 10

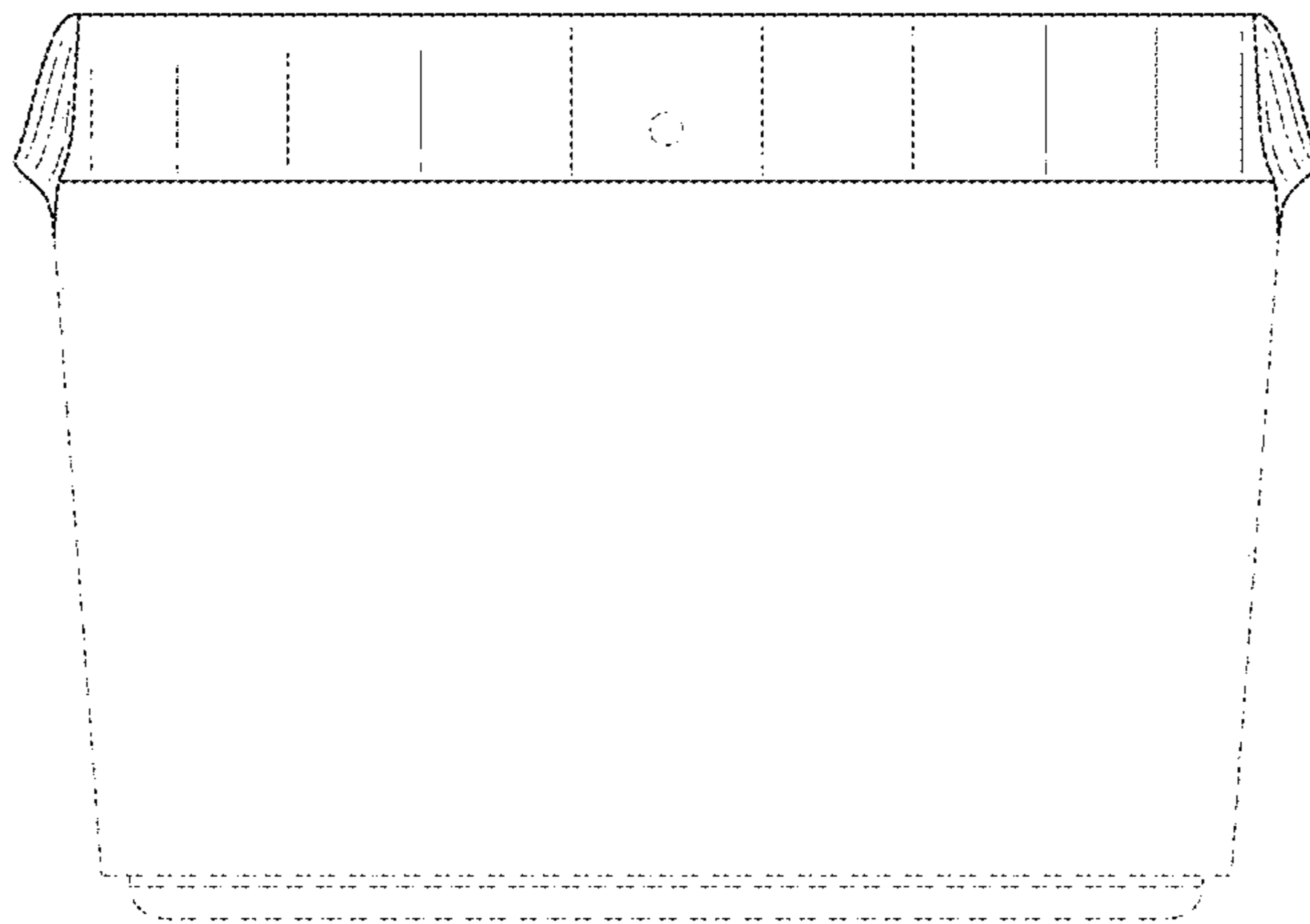


FIG. 11

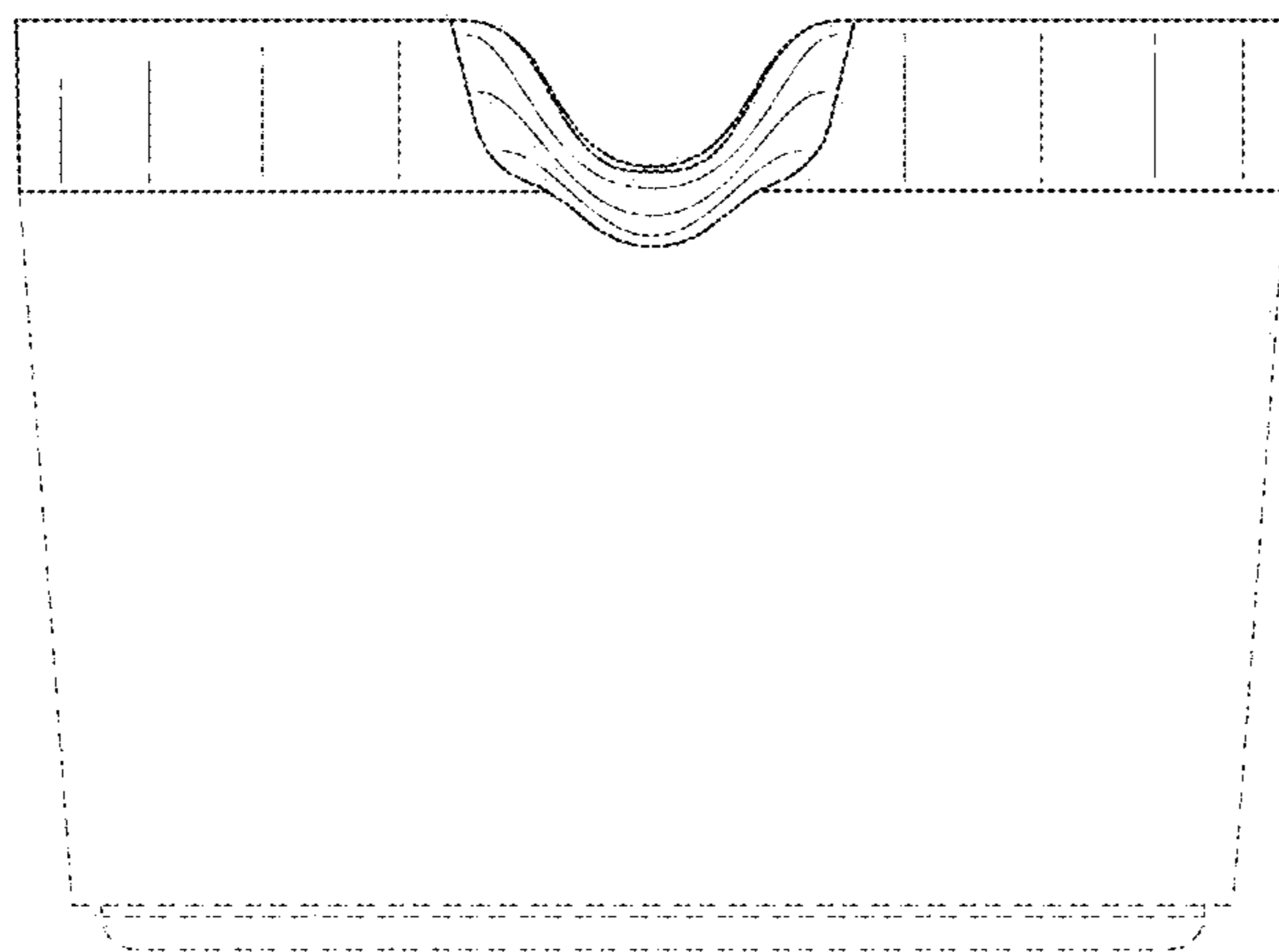


FIG. 12

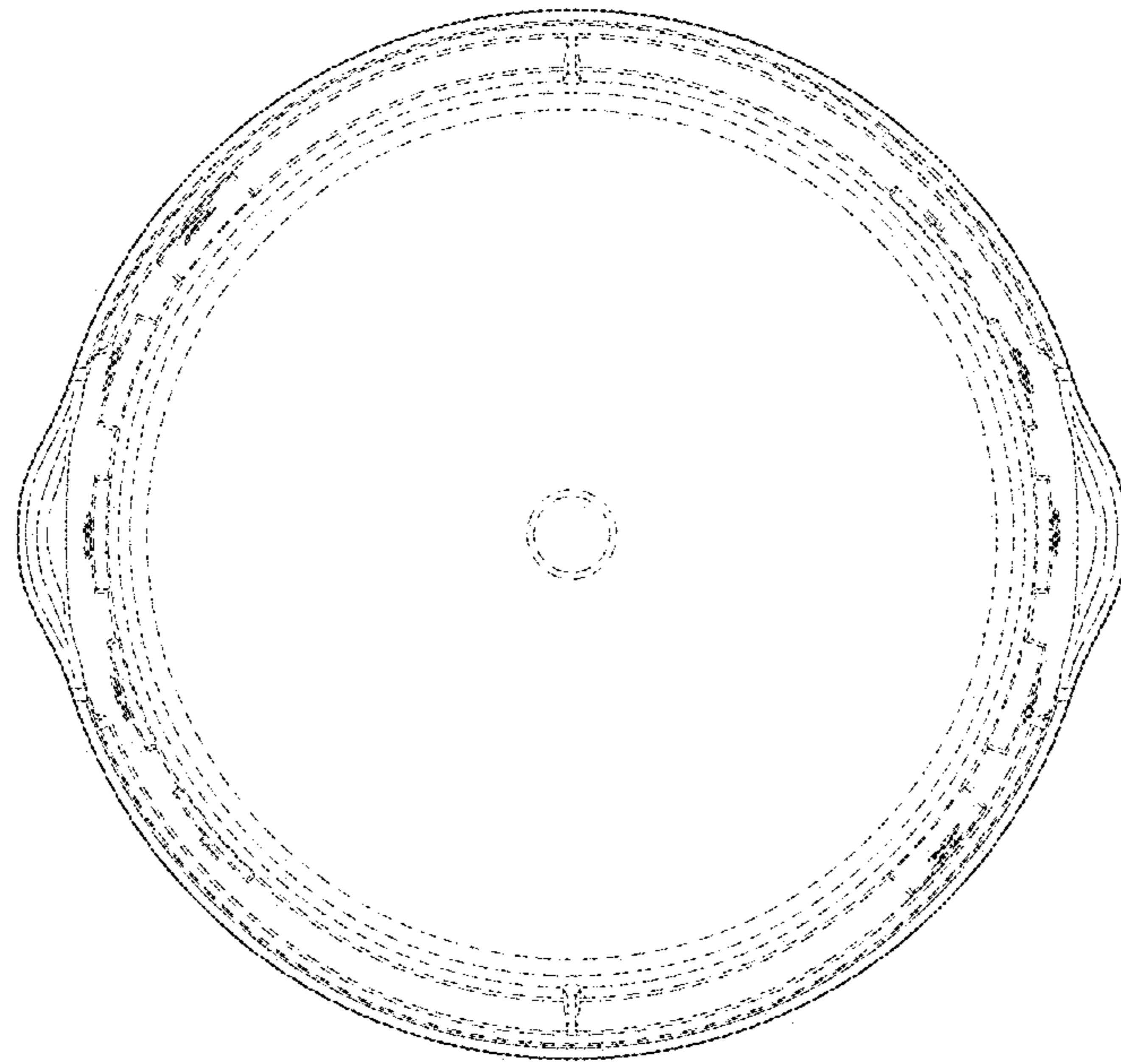


FIG. 13

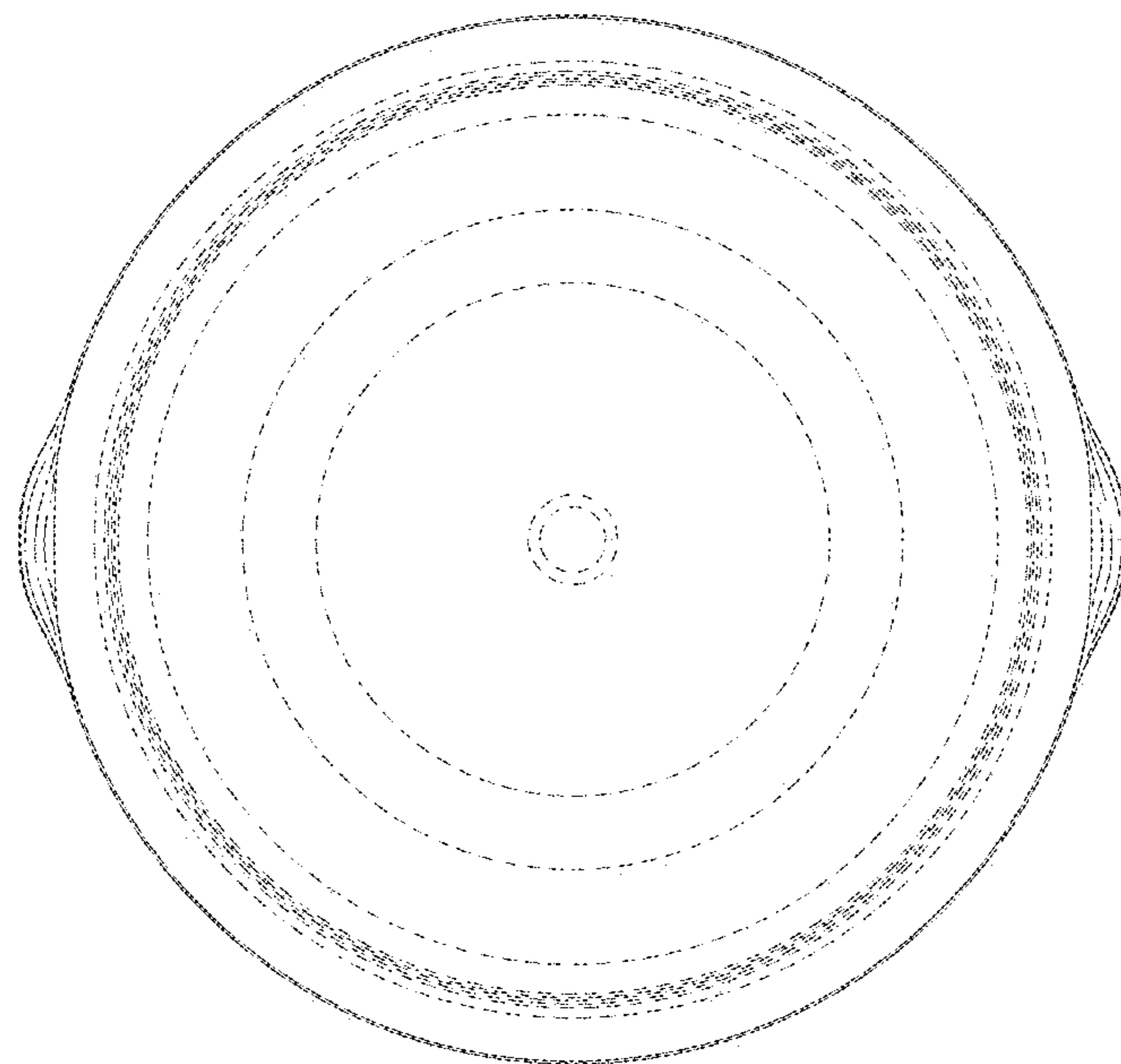


FIG. 14